



US00D878130S

(12) **United States Design Patent** (10) **Patent No.:** **US D878,130 S**  
**Knoll et al.** (45) **Date of Patent:** **\*\* \*Mar. 17, 2020**

- (54) **BEVERAGE CONDITIONING AND DISPENSING APPARATUS**
- (71) Applicant: **Natural Choice Corporation**, Rockford, IL (US)
- (72) Inventors: **George Knoll**, Belvidere, IL (US); **Kerry Roosmalen**, Rockford, IL (US)
- (73) Assignee: **Natural Choice Corporation**, Loves Park, IL (US)
- (\*) Notice: This patent is subject to a terminal disclaimer.
- (\*\*) Term: **15 Years**
- (21) Appl. No.: **29/627,943**
- (22) Filed: **Nov. 30, 2017**
- (51) **LOC (12) Cl.** ..... **07-01**
- (52) **U.S. Cl.**  
USPC ..... **D7/306; D7/311**
- (58) **Field of Classification Search**  
USPC ..... D7/306-311, 305, 300; 99/279, 284, 99/290, 280, 299, 307, 297, 295  
CPC .... A47J 31/4464; A47J 31/0663; A47J 31/10; A47J 31/369; A47J 31/06; F25D 3/00; B67D 1/0895  
See application file for complete search history.

- (56) **References Cited**  
U.S. PATENT DOCUMENTS  
4,644,856 A \* 2/1987 Borgmann ..... A47J 31/4464  
210/455  
4,852,474 A \* 8/1989 Mahlich ..... A47J 31/4489  
99/293  
D339,499 S \* 9/1993 Seiffert ..... D7/309  
D355,562 S \* 2/1995 DeFelip ..... D7/309  
5,510,060 A 4/1996 Knoll

- D486,345 S \* 2/2004 Schwamkrug ..... D7/309
- 6,977,039 B2 12/2005 Knoll et al.
- 7,264,718 B2 9/2007 Knoll et al.
- 7,315,581 B2 1/2008 Robards et al.
- D570,636 S 6/2008 Kulujian et al.
- D571,141 S 6/2008 Roosmalen et al.
- D625,542 S \* 10/2010 Picozza ..... D7/309
- 7,861,550 B2 1/2011 Knoll et al.
- D660,071 S \* 5/2012 Berlencourt ..... D7/309
- 8,250,972 B2 8/2012 Santoiemmo
- 8,341,975 B2 1/2013 Knoll et al.
- 8,348,243 B2 1/2013 Schori et al.
- 8,833,241 B2 9/2014 Santoiemmo
- 8,881,949 B2 11/2014 Schroeder et al.
- D728,296 S \* 5/2015 Palmer ..... D7/309
- 9,161,654 B2 10/2015 Belmont
- 9,409,759 B2 8/2016 Wilder et al.
- 9,427,712 B2 8/2016 Ring et al.
- D771,992 S \* 11/2016 Yang ..... D7/306
- 9,527,047 B2 12/2016 Ring et al.

(Continued)

*Primary Examiner* — Marianne N Pandozzi  
(74) *Attorney, Agent, or Firm* — Scherrer Patent & Trademark Law, P.C.; Stephen T. Scherrer; Monique A. Morneault

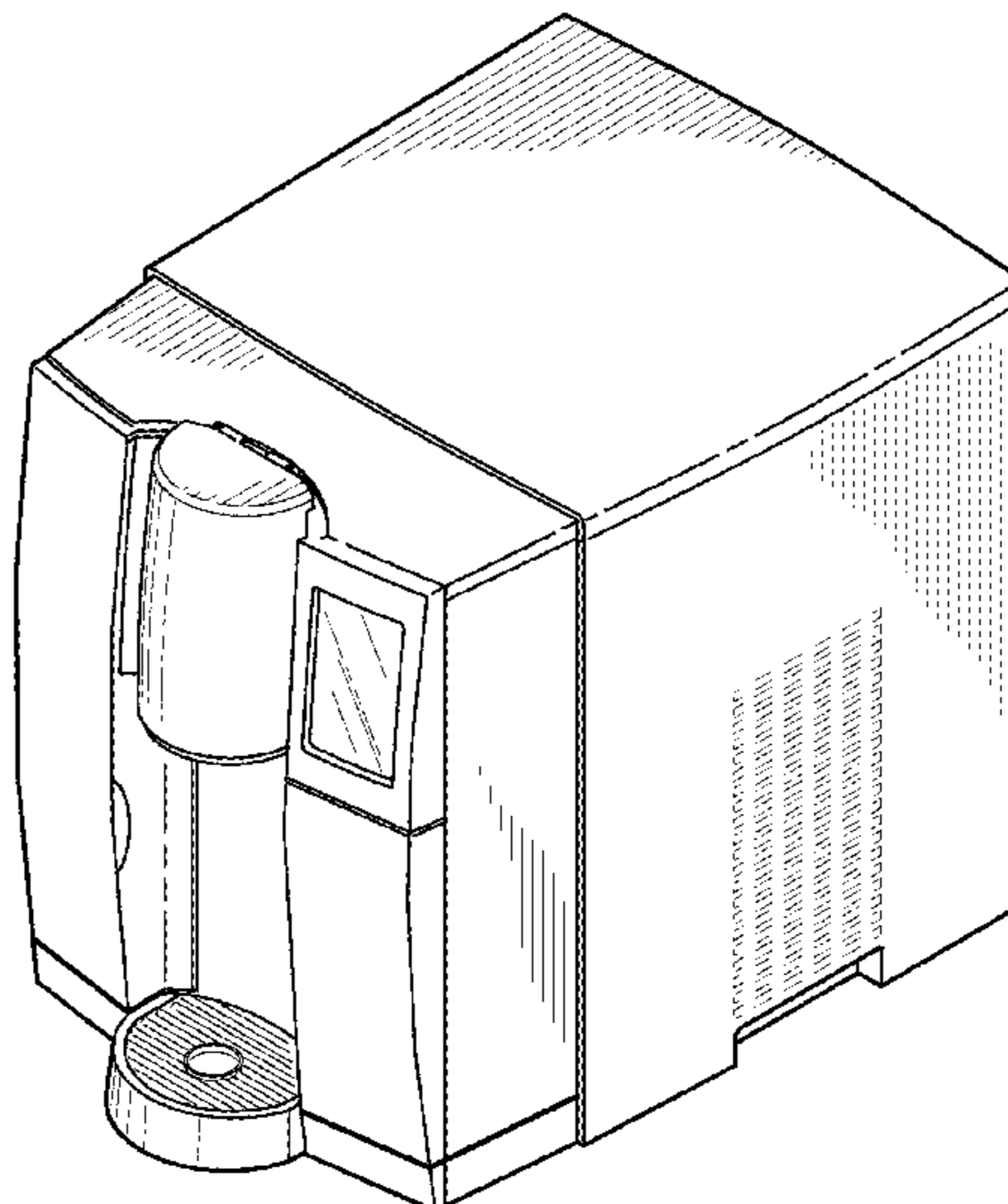
(57) **CLAIM**

The ornamental design for a beverage conditioning and dispensing apparatus, as shown and described.

**DESCRIPTION**

FIG. 1 is a perspective top view of a water dispenser; FIG. 2 is a front side thereof; FIG. 3 is a rear view thereof; FIG. 4 is a left side view thereof; FIG. 5 is a right side view thereof; FIG. 6 is a top view thereof; and, FIG. 7 is a bottom view thereof. The broken lines in the drawing depict environmental subject matter only and form no part of the claimed design.

**1 Claim, 4 Drawing Sheets**



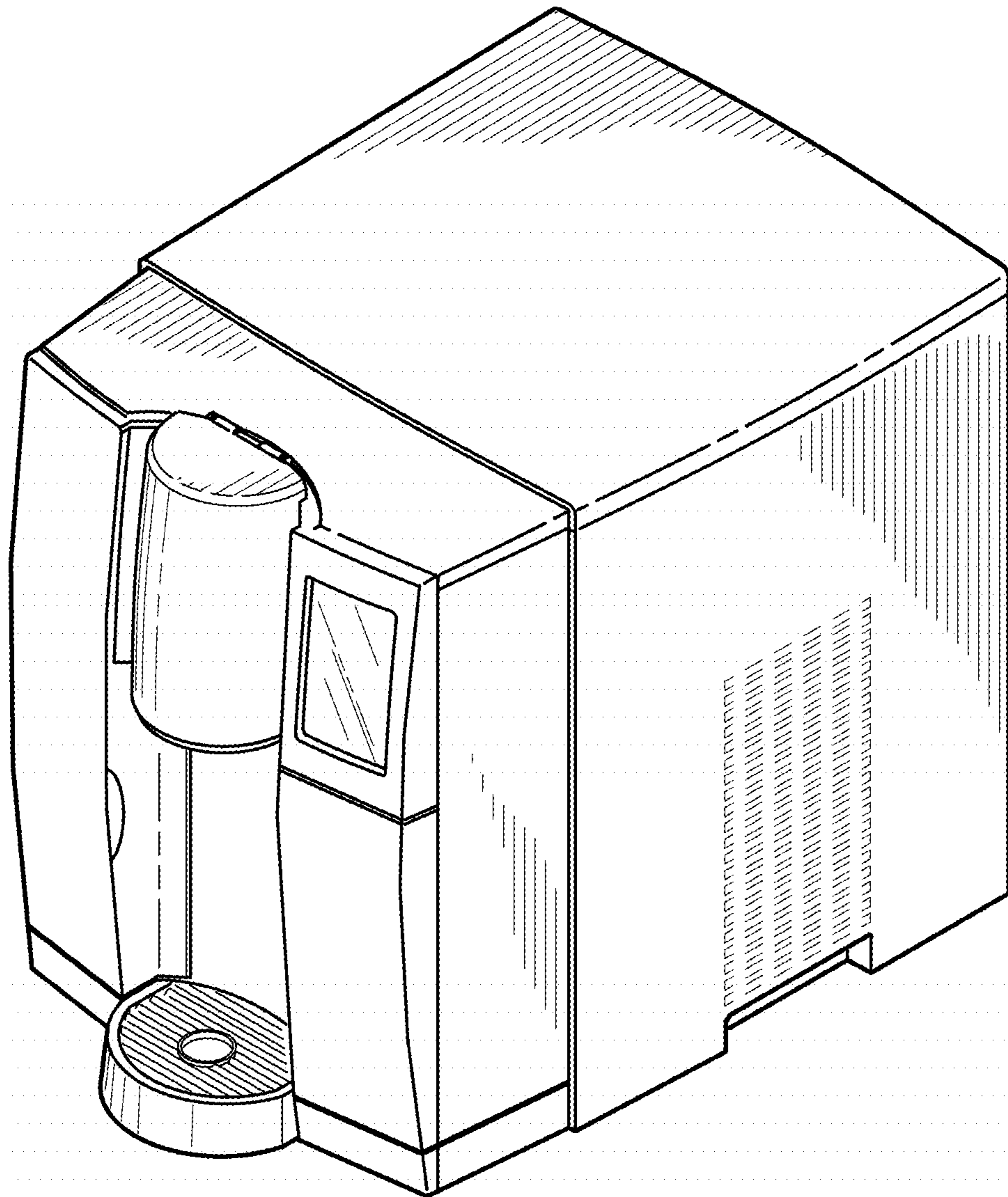
(56)

**References Cited**

U.S. PATENT DOCUMENTS

D842,966 S \* 3/2019 Shin ..... D23/207  
2005/0218059 A1 10/2005 Knoll et al.  
2011/0068128 A1 3/2011 Knoll et al.  
2011/0079612 A1 4/2011 Knoll et al.

\* cited by examiner



*FIG. 1*

FIG. 2

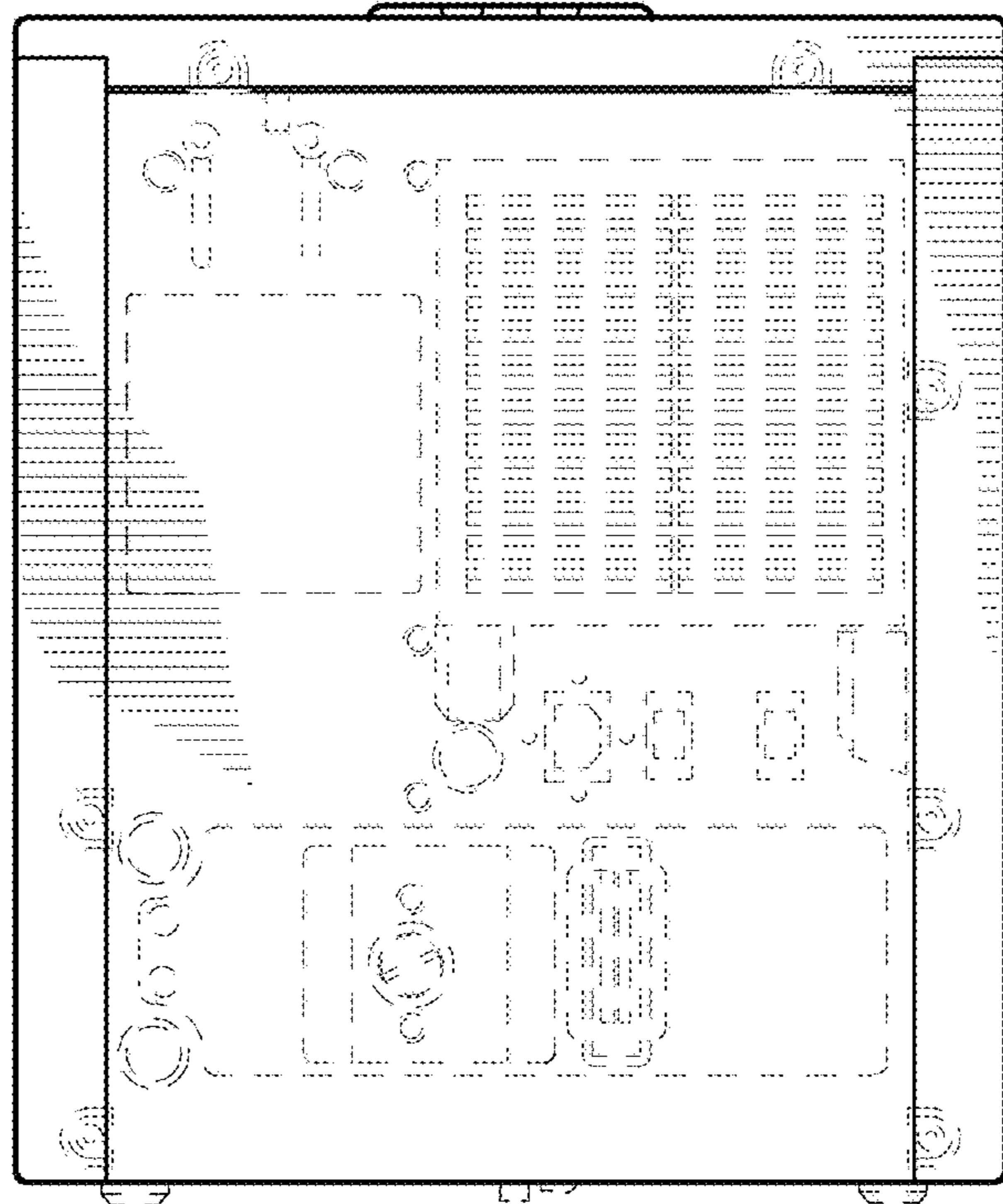
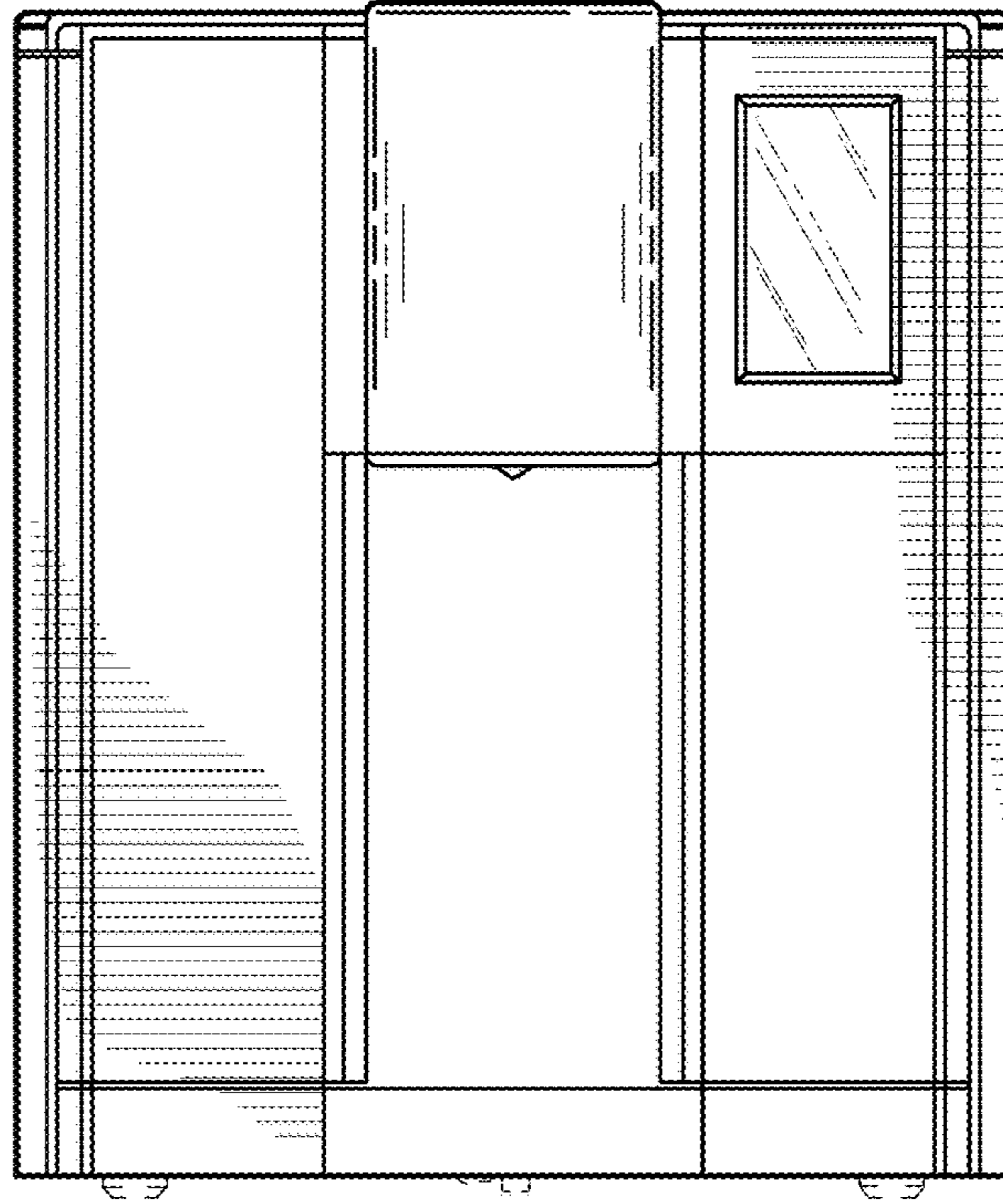


FIG. 3



FIG. 4

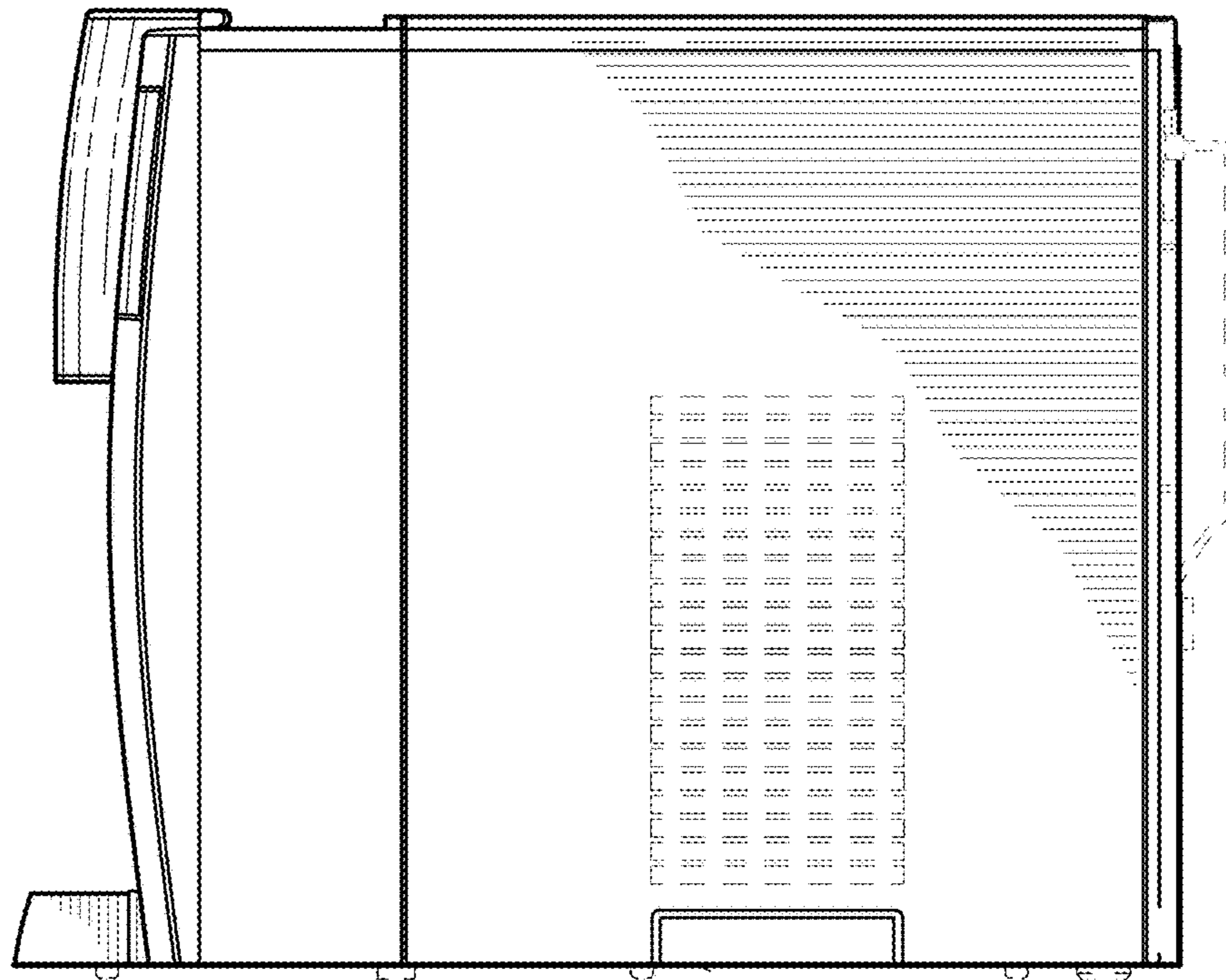
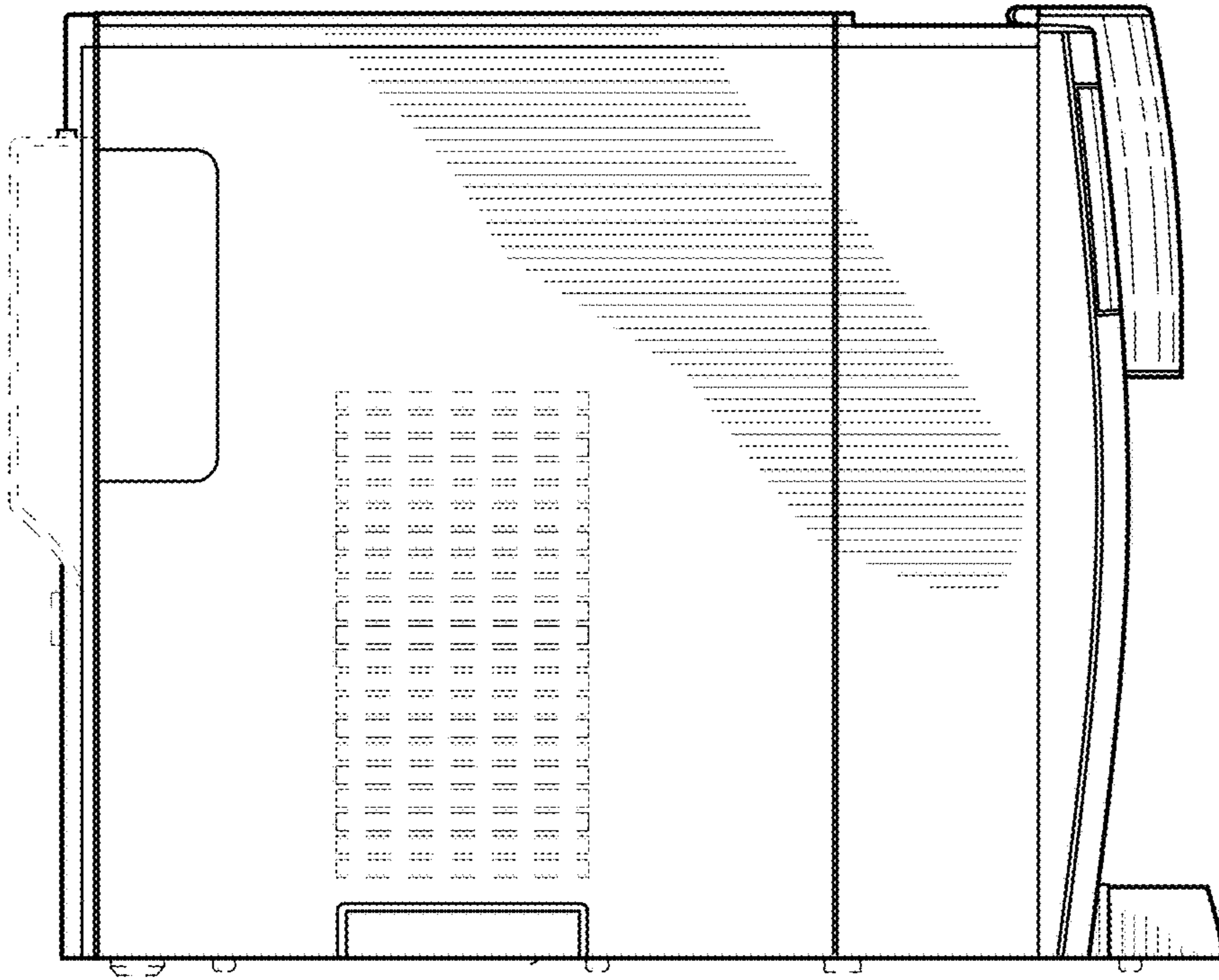


FIG. 5

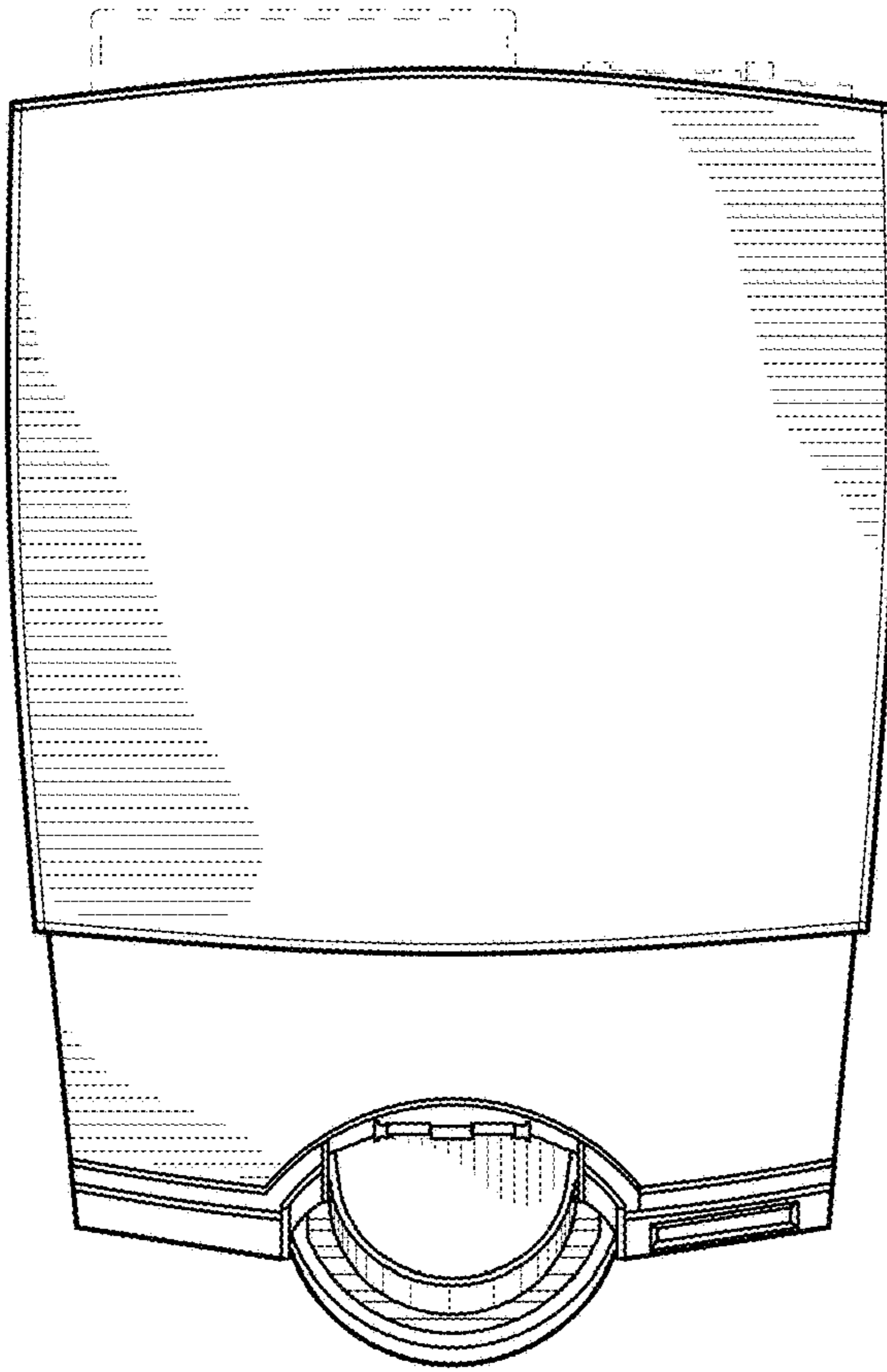


FIG. 6

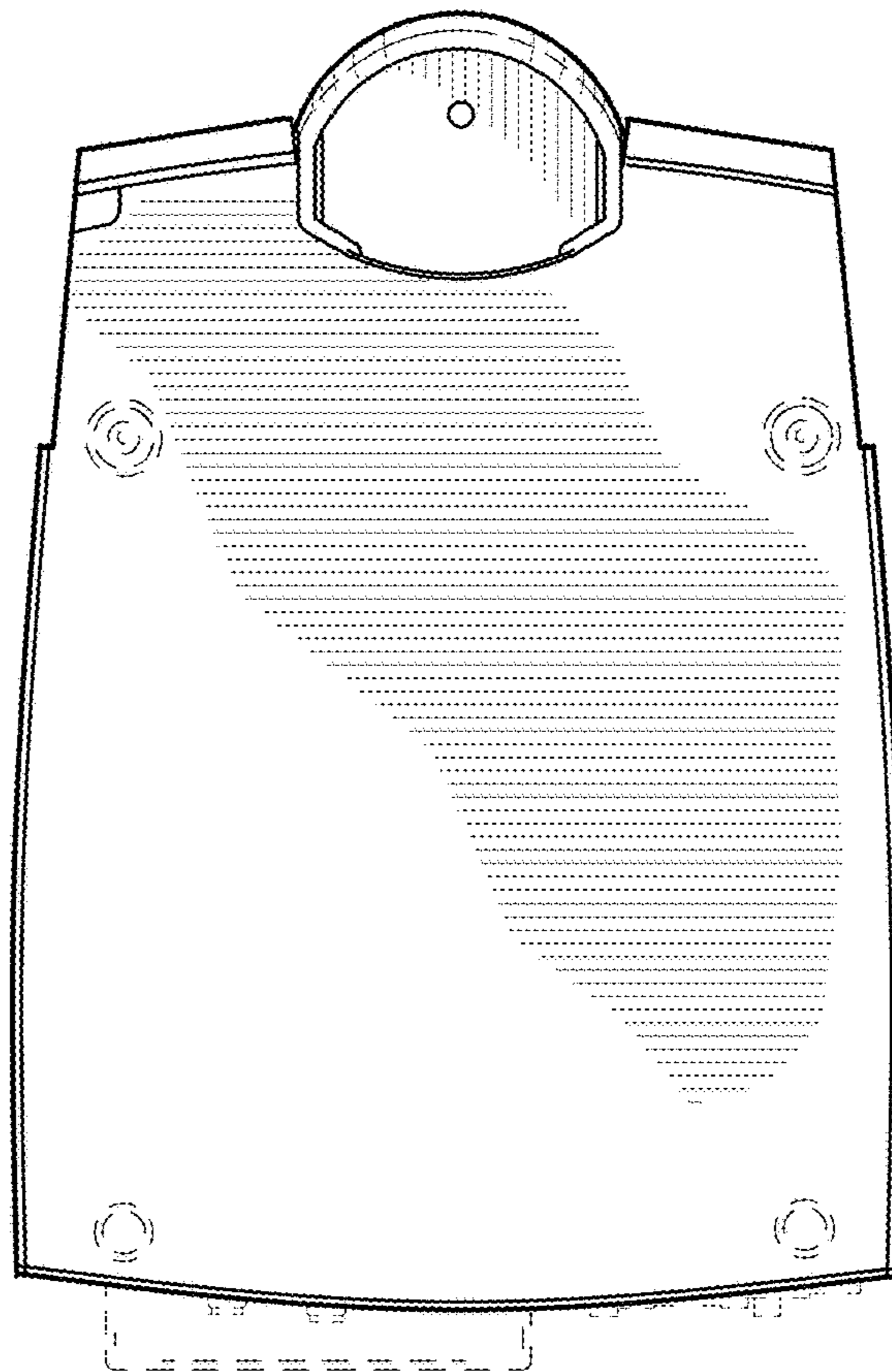


FIG. 7