



US00D878128S

(12) **United States Design Patent**
Austrheim et al.

(10) **Patent No.: US D878,128 S**
(45) **Date of Patent: ** Mar. 17, 2020**

(54) **FOOT FOR STORAGE GRID STRUCTURE**

(71) Applicant: **AUTOSTORE TECHNOLOGY AS,**
Nedre Vats (NO)

(72) Inventors: **Trond Austrheim,** Etne (NO); **Børge Bekken,** Haugesund (NO)

(**) Term: **15 Years**

(21) Appl. No.: **35/504,800**

(22) Filed: **Oct. 20, 2017**

(80) **Hague Agreement Data**

Int. Filing Date: **Oct. 20, 2017**

Int. Reg. No.: **DM/100027**

Int. Reg. Date: **Oct. 20, 2017**

Int. Reg. Pub. Date: **Apr. 20, 2018**

(51) **LOC (12) Cl. 06-01**

(52) **U.S. Cl.**
USPC **D6/710; D8/374**

(58) **Field of Classification Search**
USPC **D6/710**
CPC **A47B 91/02; A47B 91/16**
See application file for complete search history.

(56) **References Cited**

U.S. PATENT DOCUMENTS

D179,938 S * 3/1957 Fisher D6/710
2,932,122 A * 4/1960 Matter A47B 91/022
248/188.3

3,071,887 A * 1/1963 Von Arb A47B 91/022
248/188.4
D195,851 S * 8/1963 Maslow D8/374
4,798,359 A * 1/1989 Ball A47B 91/16
248/188.3
5,249,767 A * 10/1993 Mellen F16M 7/00
248/188.2
6,209,465 B1 * 4/2001 Brooks A47B 91/02
108/150
D491,393 S * 6/2004 Kelterborn D6/710
D604,534 S * 11/2009 Guggenbiller, Jr. D6/710
D640,886 S * 7/2011 Glass D6/710
D802,405 S * 11/2017 Chang D8/374
D810,552 S * 2/2018 Rassat D8/374
D820,071 S * 6/2018 Rassat D8/374

* cited by examiner

Primary Examiner — Deanna L Pratt

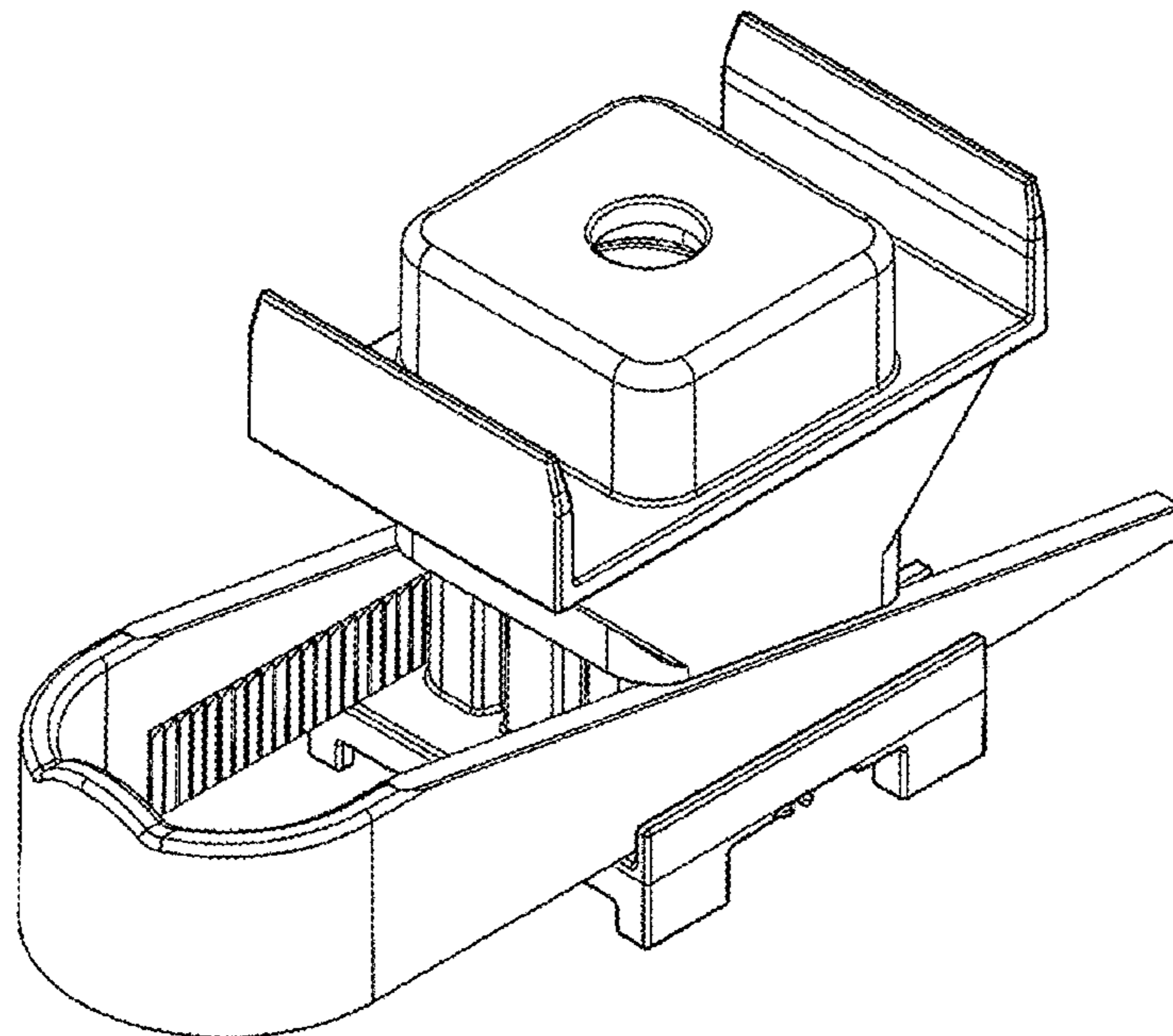
(57) **CLAIM**

The ornamental design for a foot for storage grid structure, as shown and described.

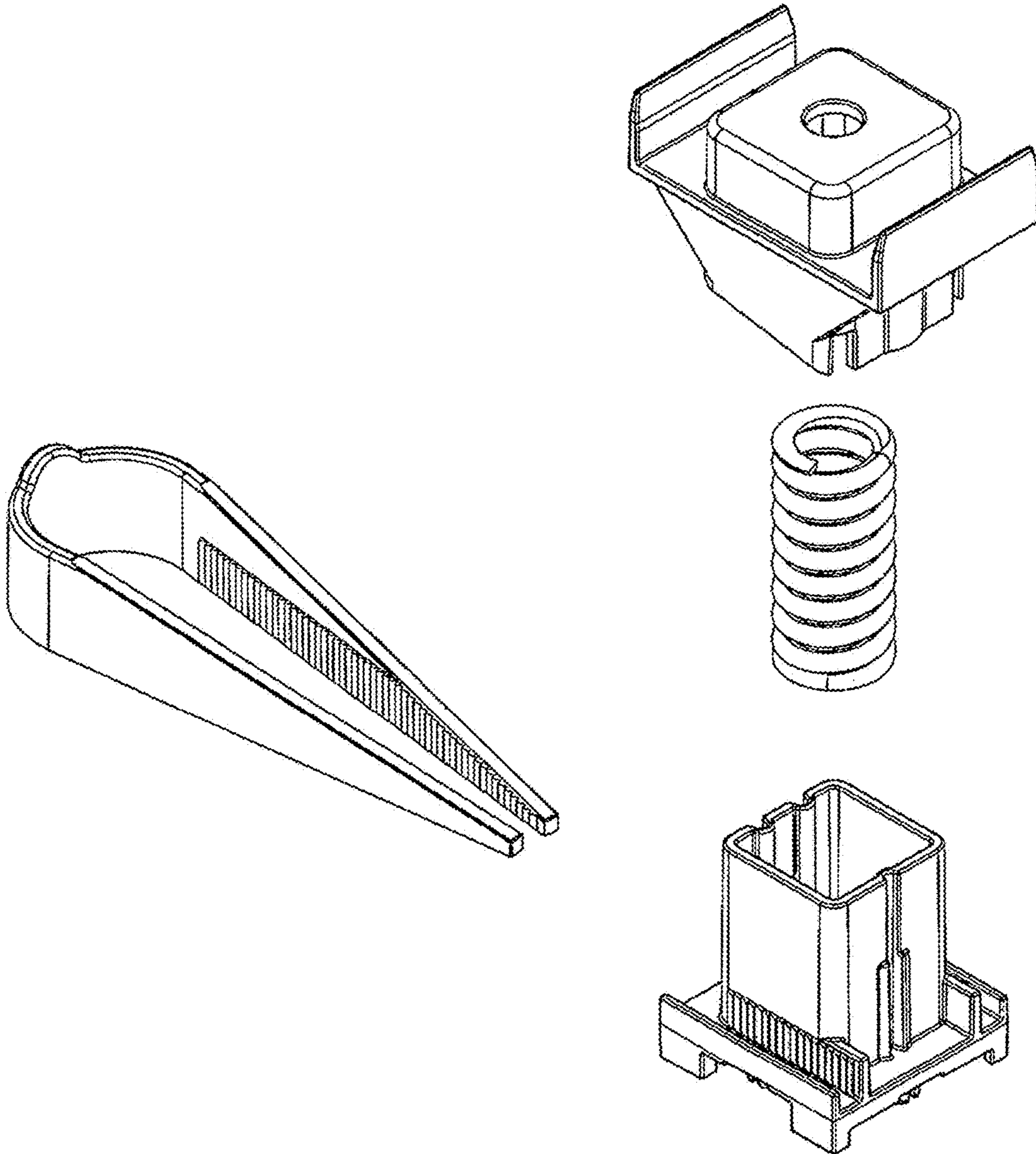
DESCRIPTION

- 1. Foot for storage grid structure
- 1.1 : Exploded
- 1.2 : Bottom
- 1.3 : Perspective
- 1.4 : Left
- 1.5 : Front
- 1.6 : Back
- 1.7 : Cross-sectional view taken from the center
- 1.8 : Top

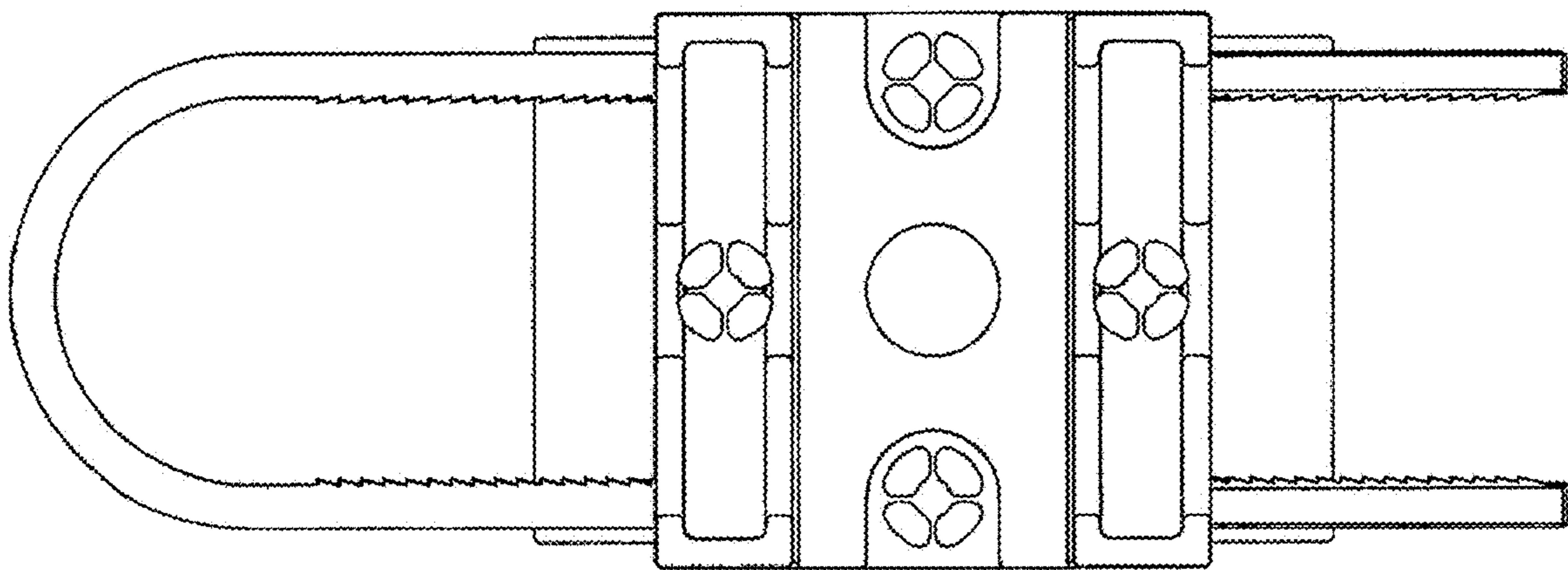
1 Claim, 8 Drawing Sheets



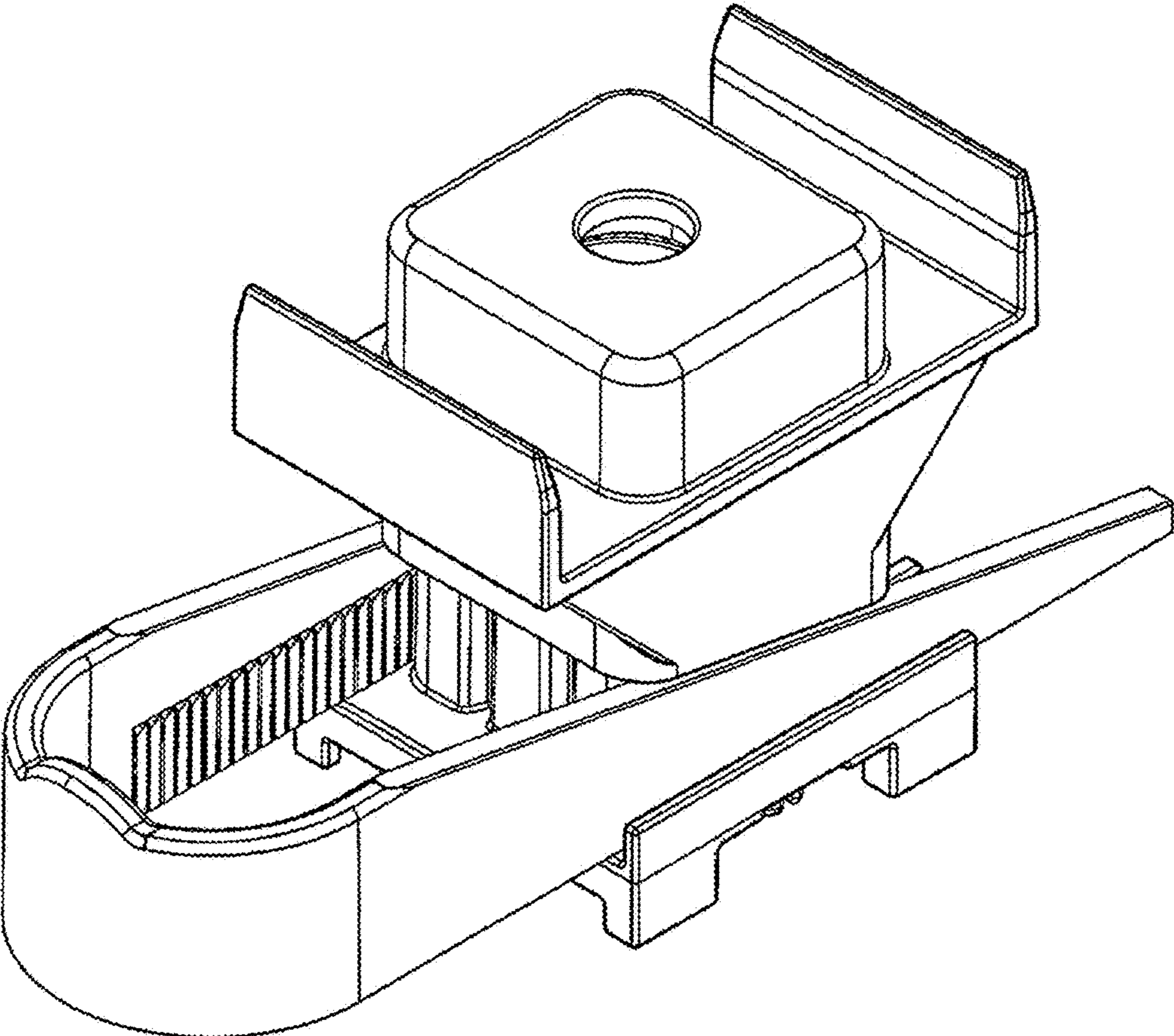
1.1



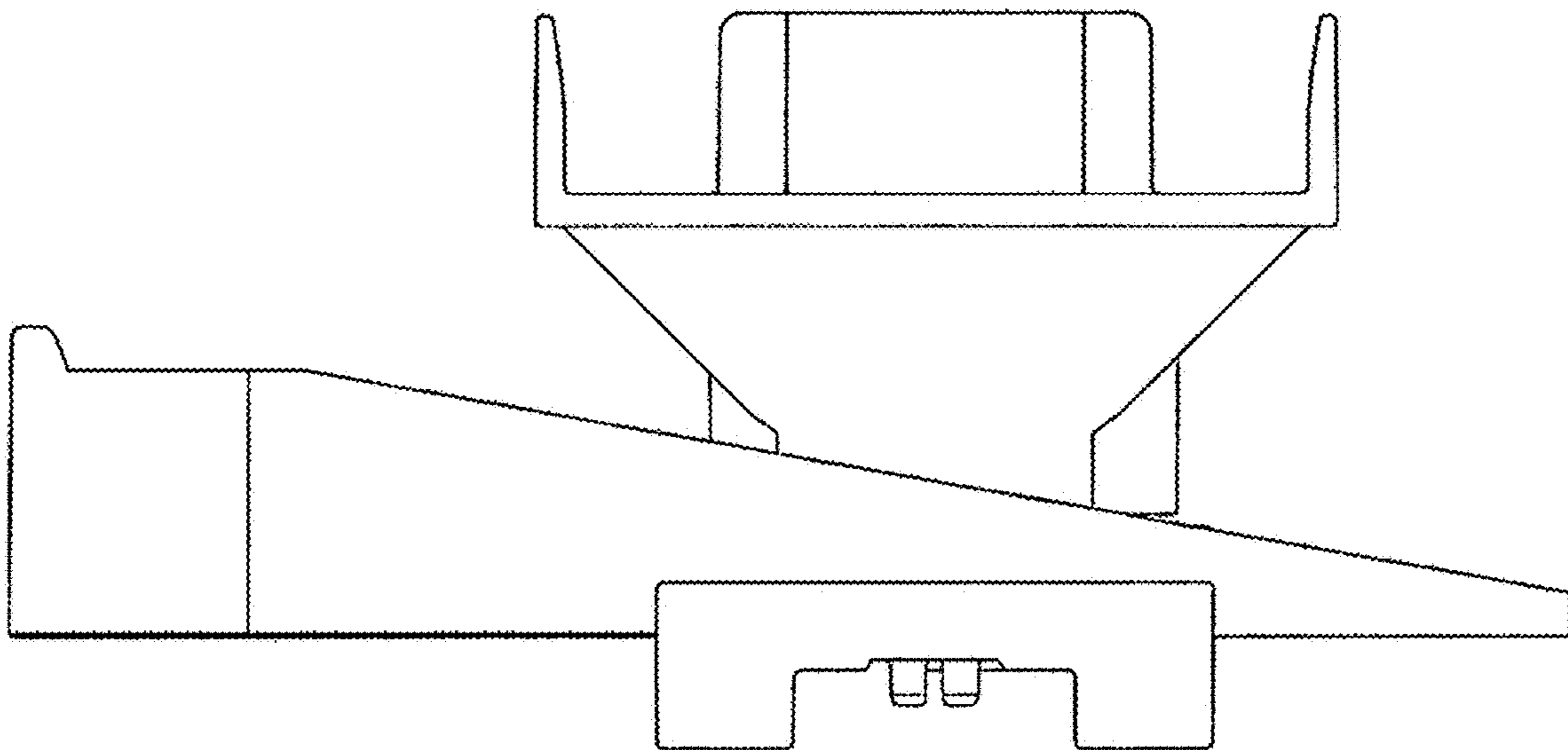
1.2



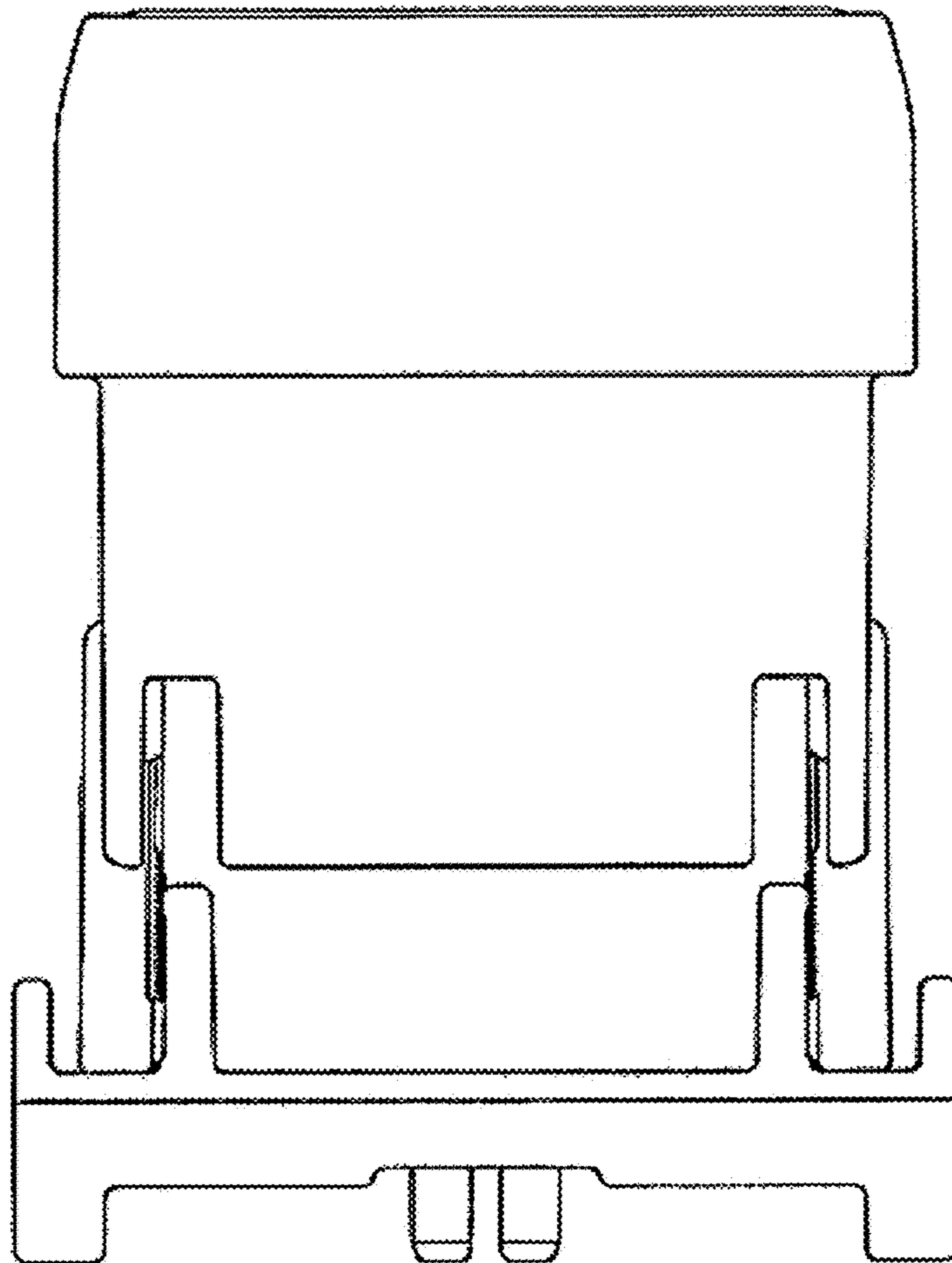
1.3



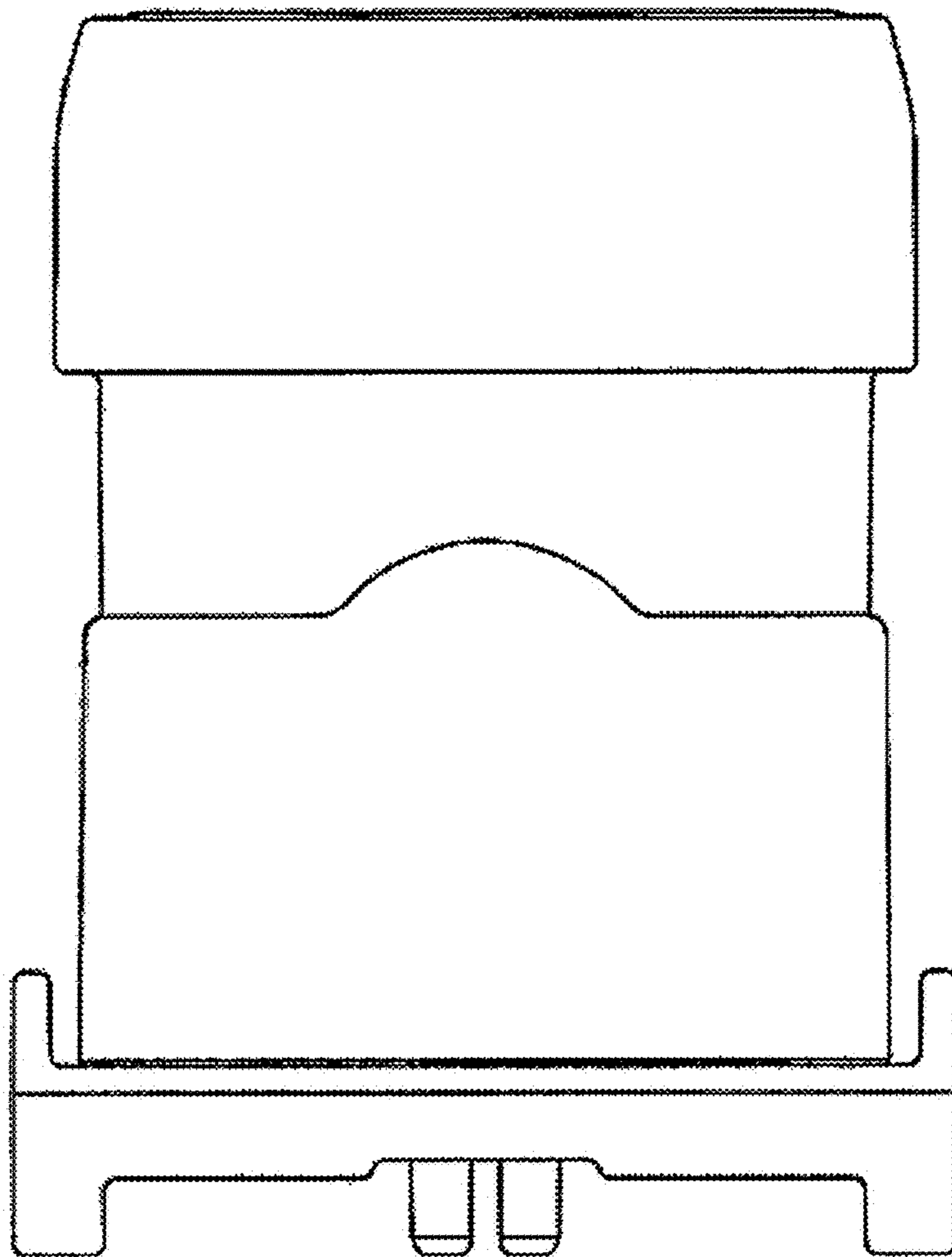
1.4



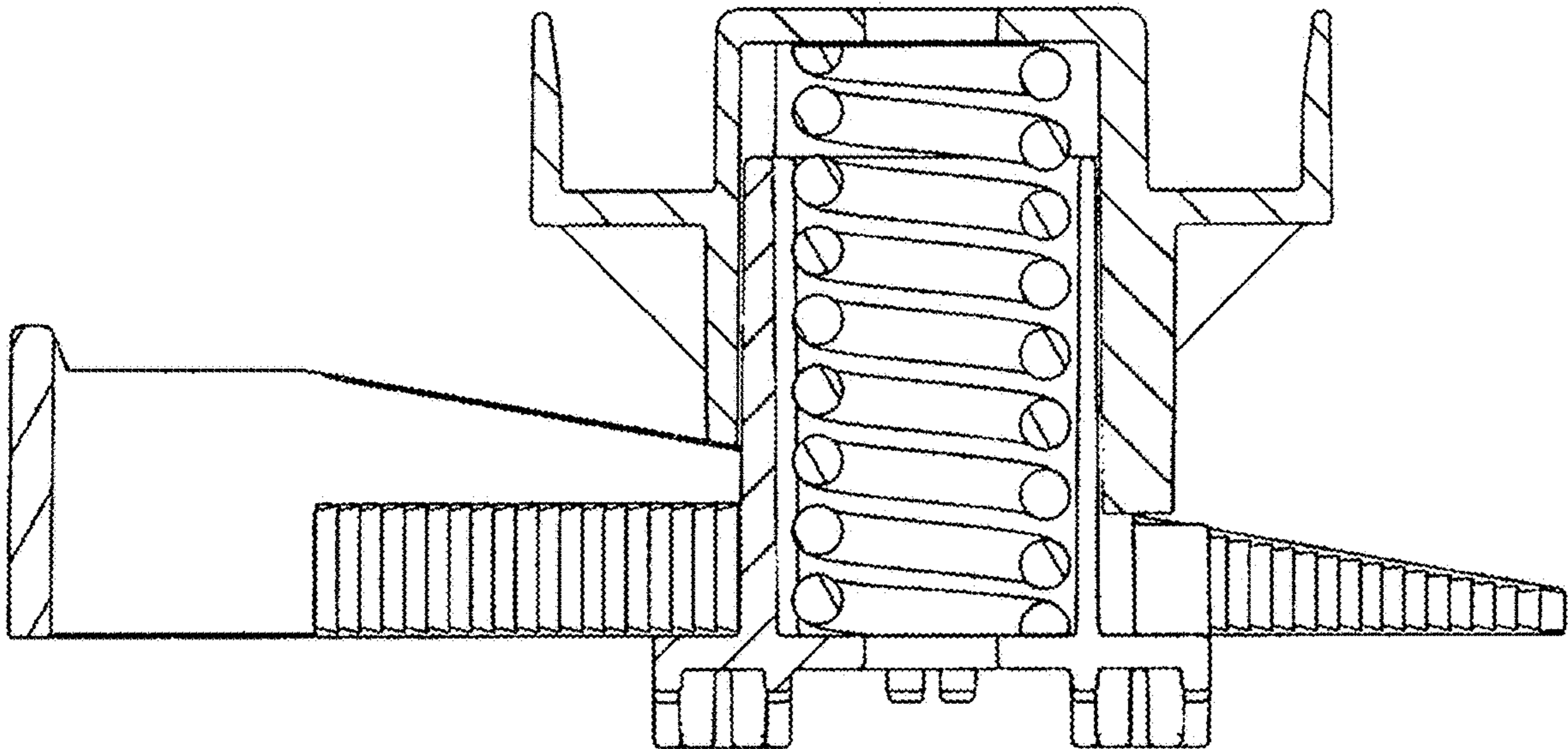
1.5



1.6



1.7



1.8

