



US00D878127S

(12) **United States Design Patent**
Sorel et al.

(10) **Patent No.:** **US D878,127 S**
(45) **Date of Patent:** **** Mar. 17, 2020**

(54) **TABLE**

(71) Applicant: **LANDSCAPE FORMS, INC.**,
Kalamazoo, MI (US)

(72) Inventors: **Jess A. Sorel**, South Pass City, WY
(US); **Brian P. Revoir**, Vicksburg, MI
(US); **James Bucholtz**, Portage, MI
(US)

(73) Assignee: **LANDSCAPE FORMS, INC.**,
Kalamazoo, MI (US)

(**) Term: **15 Years**

(21) Appl. No.: **29/650,886**

(22) Filed: **Jun. 11, 2018**

(51) **LOC (12) Cl.** **06-06**

(52) **U.S. Cl.**
USPC **D6/709**

(58) **Field of Classification Search**
USPC D6/668, 672, 685, 686, 688, 688.11,
D6/688.19, 691.1, 691.9, 692, 692.3,
D6/692.5, 694, 695, 695.2, 696, 696.1,
D6/696.2, 696.3, 697, 698, 699, 699.2,
D6/699.4, 701, 705, 707, 707.22, 707.23,
D6/707.24, 709
CPC .. A47B 37/00; A47B 3/00; A47B 1/00; A47B
3/06; A47B 3/08; A47B 7/00; A47B
21/00; A47B 23/00; A47B 25/00; A47B
13/08; A47B 3/083; A47B 3/14; A47B
41/00; A47B 17/00; A47B 3/0809; A47B
3/0812; A47B 2013/026; A47B 2200/03;
A47B 2200/00; A47B 2003/0821; A47C
3/045

See application file for complete search history.

(56) **References Cited**

U.S. PATENT DOCUMENTS

3,857,120 A * 12/1974 Acker A47C 4/02
5/12.1
D270,411 S * 9/1983 DeGregori D6/691.5

D505,282 S * 5/2005 Miyakawa D6/691.8
D668,893 S * 10/2012 Lehman-Smith D6/708
D737,609 S * 9/2015 Nishikawa D6/691.5
D765,450 S * 9/2016 Biddle D6/691
D766,642 S * 9/2016 Sorel D6/349
D774,807 S * 12/2016 Biddle D6/691
D774,816 S * 12/2016 Sorel D6/370

OTHER PUBLICATIONS

Strata Beam, posted at Landscapeforms.com, posted in 2018, site visited Jan. 6, 2020. online, available from internet: https://www.landscapeforms.com/en-us/Product%20Data/LF_STRATA-Beam_ProductData.pdf (Year: 2018).*

* cited by examiner

Primary Examiner — Mary Ann Calabrese

Assistant Examiner — Catherine Ho

(74) *Attorney, Agent, or Firm* — Heslin Rothenberg
Farley and Mesiti PC

(57) **CLAIM**

The ornamental design for a table, as shown and described.

DESCRIPTION

FIG. 1 is a perspective view of the table of the present design;

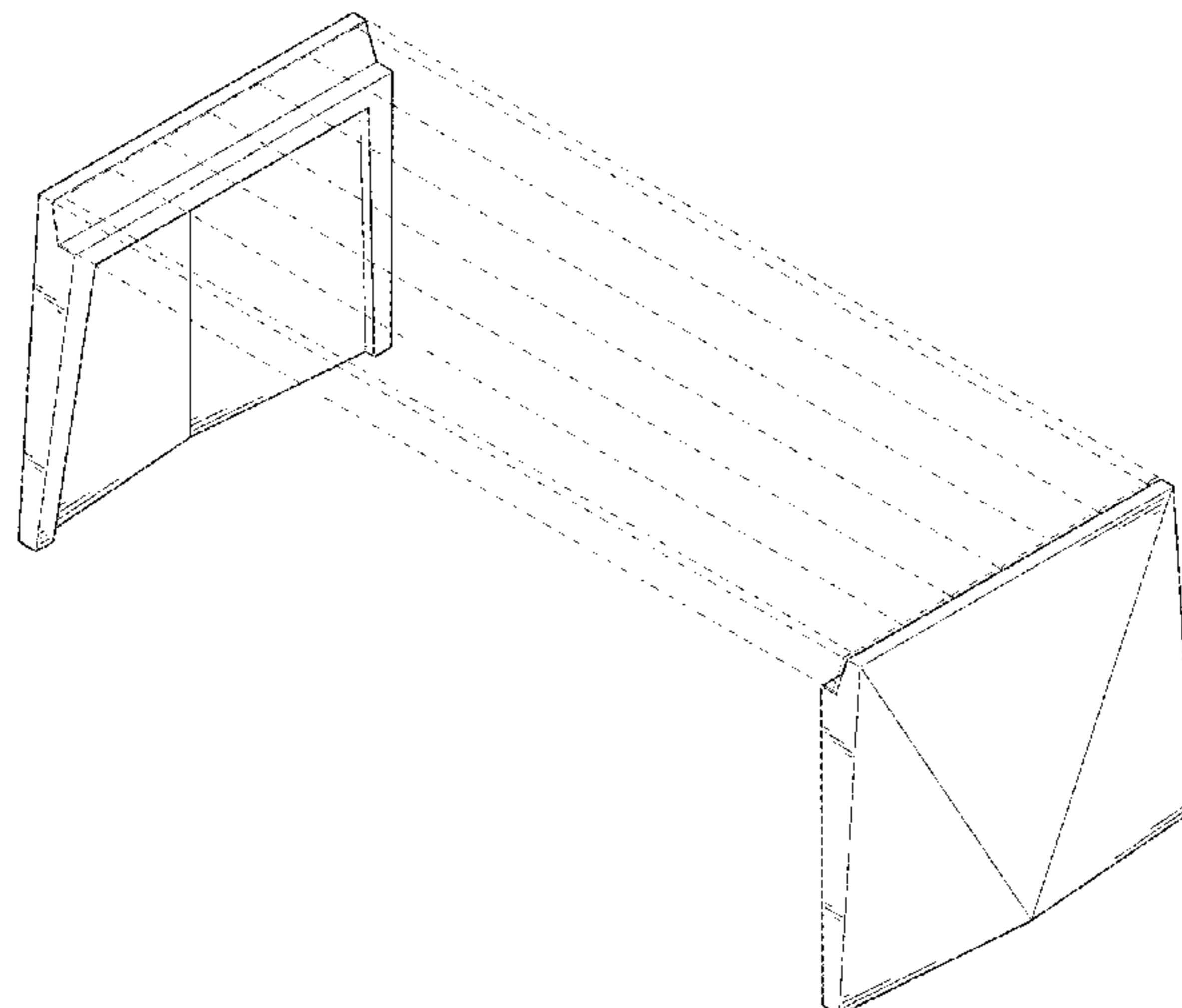
FIG. 2 is a front elevation view thereof; the rear elevation view being identical thereto;

FIG. 3 is a right side elevation view thereof; the left side elevation view being identical thereto; and,

FIG. 4 is a top plan view thereof.

The broken lines in the drawings illustrate portions of the table that form no part of the claimed design.

1 Claim, 4 Drawing Sheets



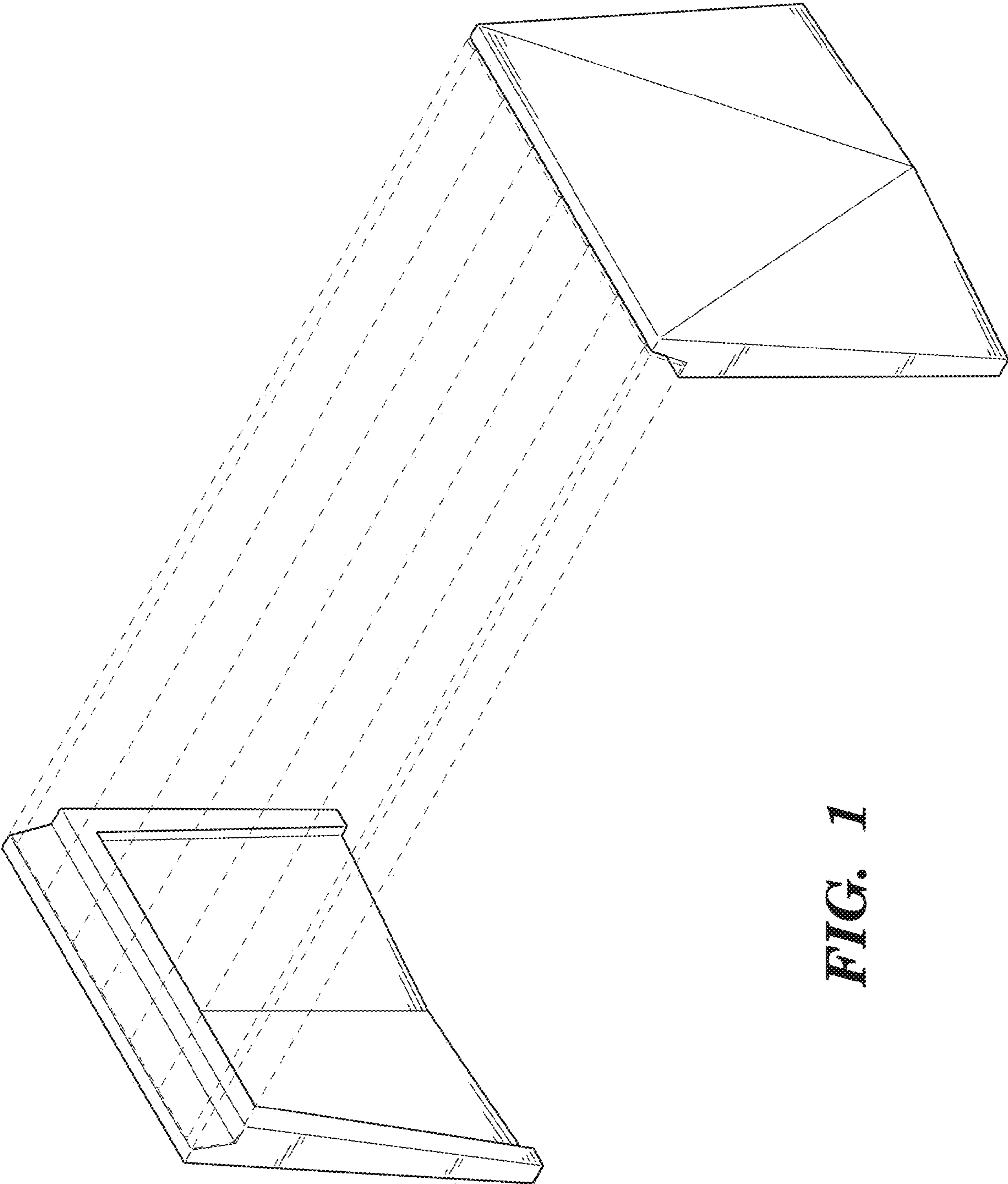


FIG. 1

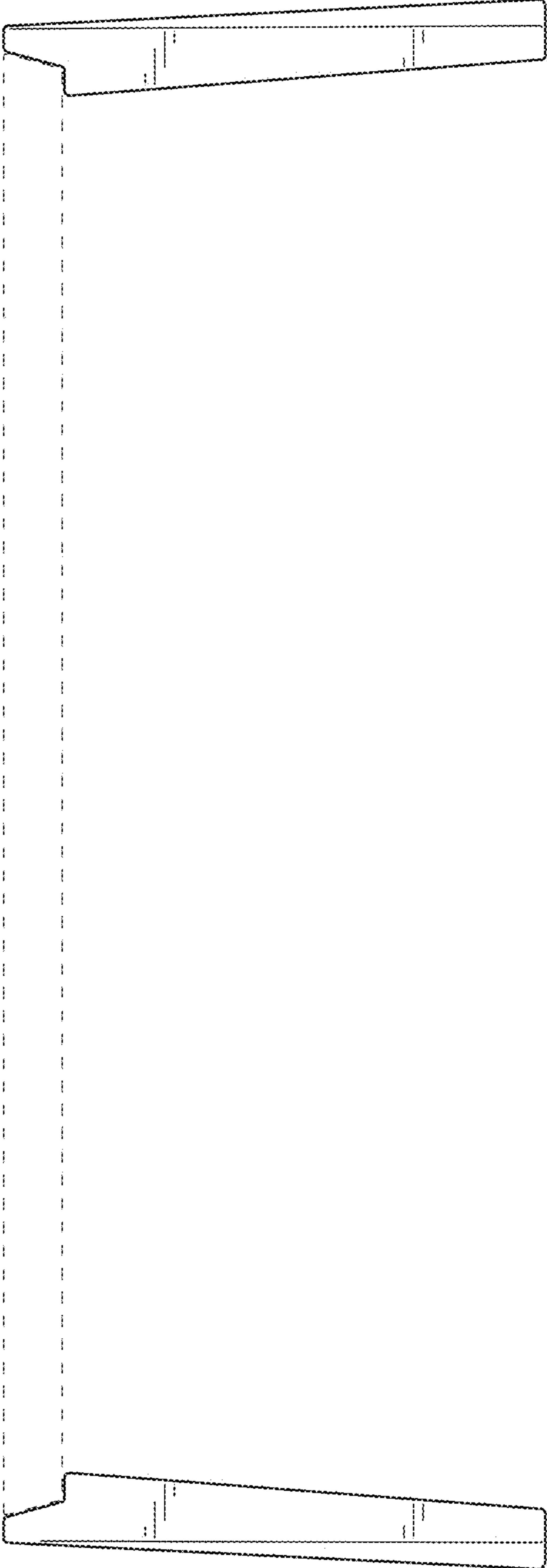


FIG. 2

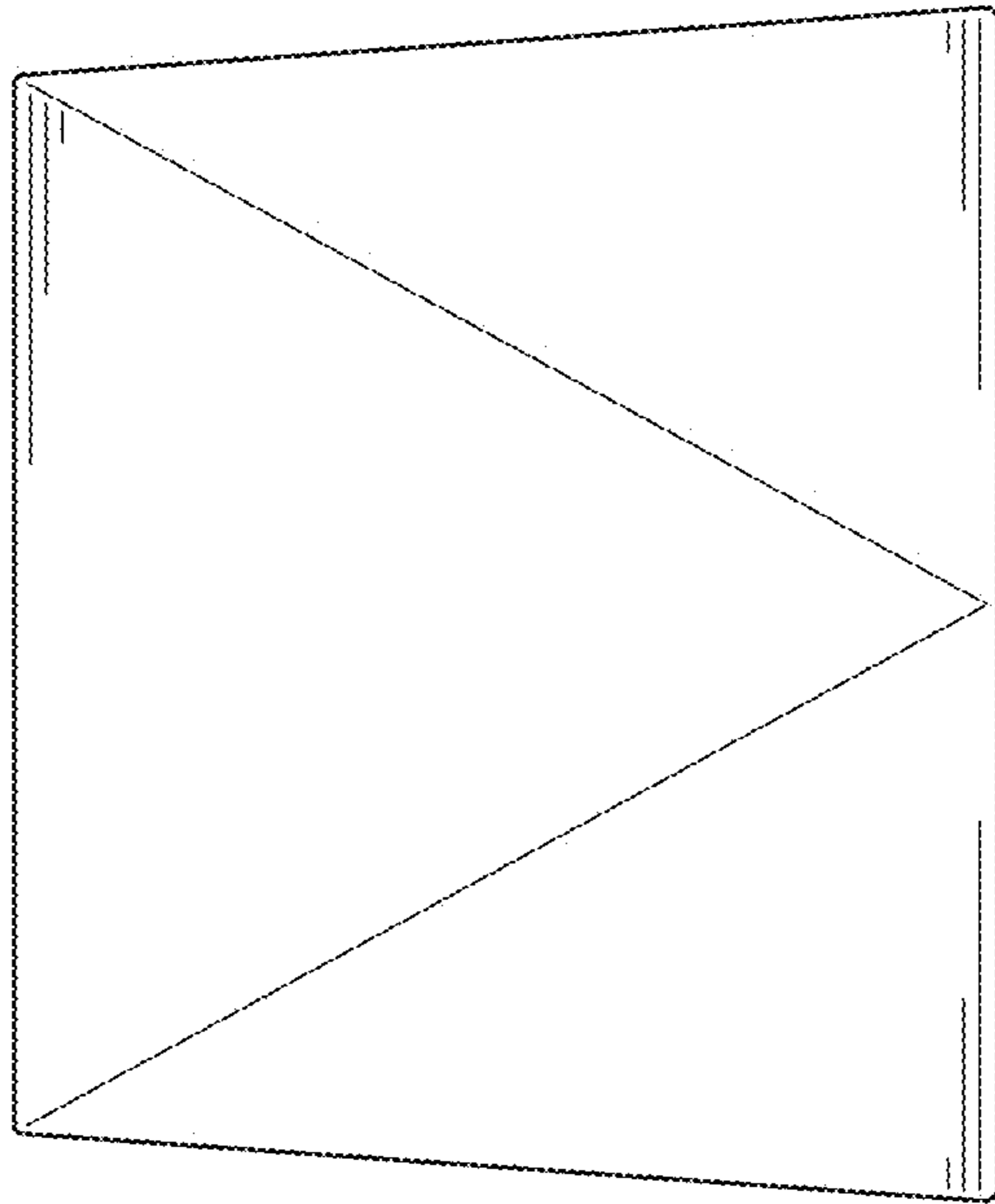


FIG. 3

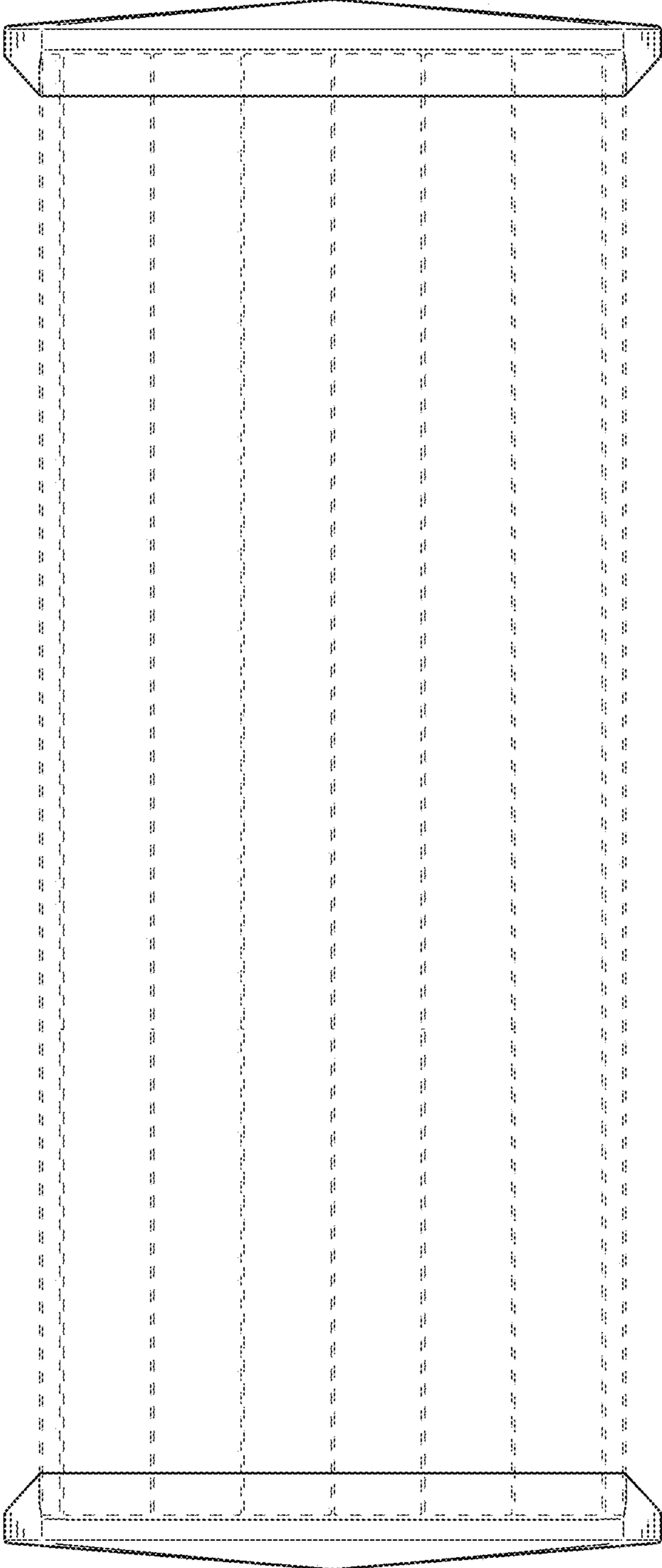


FIG. 4