



US00D878125S

(12) **United States Design Patent**
Su

(10) **Patent No.:** **US D878,125 S**
(45) **Date of Patent:** **** Mar. 17, 2020**

(54) **CHAIR FRAME STRUCTURE**

(71) Applicant: **Shu O Su**, Tainan (TW)

(72) Inventor: **Shu O Su**, Tainan (TW)

(**) Term: **15 Years**

(21) Appl. No.: **29/630,414**

(22) Filed: **Dec. 20, 2017**

(51) **LOC (12) Cl.** **06-01**

(52) **U.S. Cl.**
USPC **D6/708.16**

(58) **Field of Classification Search**
USPC D6/334-336, 368, 373, 374, 376, 379,
D6/380, 716, 716.1, 716.2, 716.3, 716.4,
D6/708.16
CPC .. A47C 3/04; A47C 3/045; A47C 4/03; A47C
4/04; A47C 4/18; A47C 4/20; A47C 5/04;
A47C 5/10; A47C 7/40

See application file for complete search history.

(56) **References Cited**

U.S. PATENT DOCUMENTS

- 5,899,525 A * 5/1999 Tseng A47C 4/20
297/51
- 6,860,556 B2 * 3/2005 Barile, Sr. A47C 3/04
297/239
- D509,084 S * 9/2005 Barile, Jr. D6/716
- 7,147,286 B2 * 12/2006 Cesaroni A47C 3/04
297/239
- D594,669 S * 6/2009 Asano D6/376
- D600,935 S * 9/2009 Koh D6/374
- D600,936 S * 9/2009 Koh D6/376
- 7,717,511 B2 * 5/2010 Huang A47C 3/045
297/239
- D687,642 S * 8/2013 Hsuan-Chin D6/376

- 8,506,008 B2 * 8/2013 Pan A47C 3/045
297/160
- D689,297 S * 9/2013 Su D6/376
- D756,140 S * 5/2016 Kumazawa D6/368
- D758,088 S * 6/2016 Hurford D6/376
- D787,216 S * 5/2017 Pillet D6/375
- D811,789 S * 3/2018 Fletcher D6/708.16
- D817,019 S * 5/2018 Borrelli D6/376
- D820,072 S * 6/2018 Choi D6/708.16

FOREIGN PATENT DOCUMENTS

- CA 2311234 A1 * 12/2000 A47C 1/121
- WO WO-2007109699 A2 * 9/2007 A47C 1/121

* cited by examiner

Primary Examiner — Mimosa De
(74) *Attorney, Agent, or Firm* — Raymond Y. Chan;
David and Raymond Patent Firm

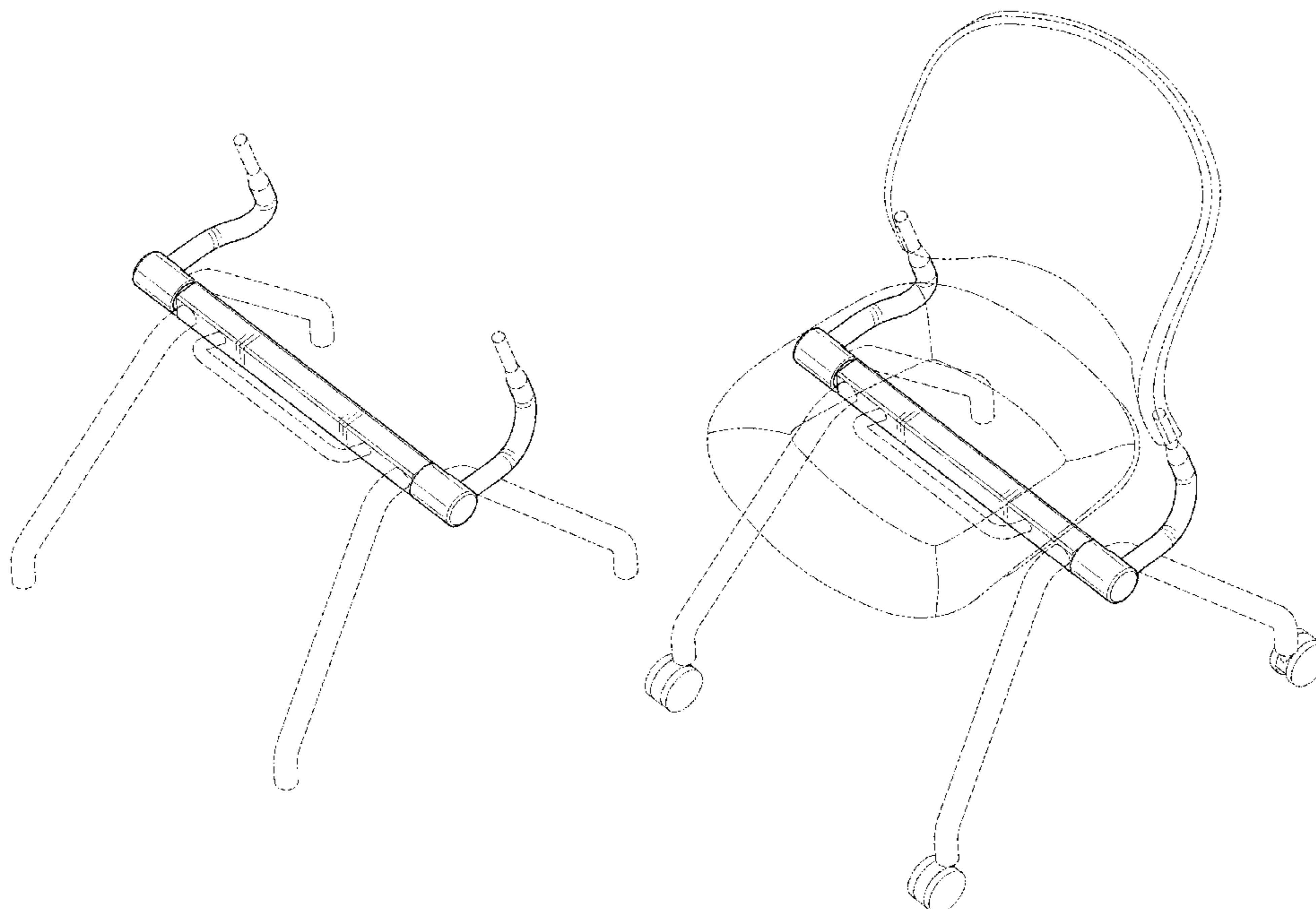
(57) **CLAIM**

The ornamental design for a chair frame structure, as shown and described.

DESCRIPTION

FIG. 1 is a perspective view of chair frame structure showing my new design;
 FIG. 2 is a front view thereof;
 FIG. 3 is a rear view thereof;
 FIG. 4 is a left end view thereof;
 FIG. 5 is a right end view thereof;
 FIG. 6 is a top view thereof;
 FIG. 7 is a bottom view thereof; and,
 FIG. 8 is a perspective view showing the use and arrangement of my new design.
 The surface(s) or poration(s) of the article shown in broken lines in the drawings being for illustrative purpose only and forming no part of the claimed design.

1 Claim, 5 Drawing Sheets



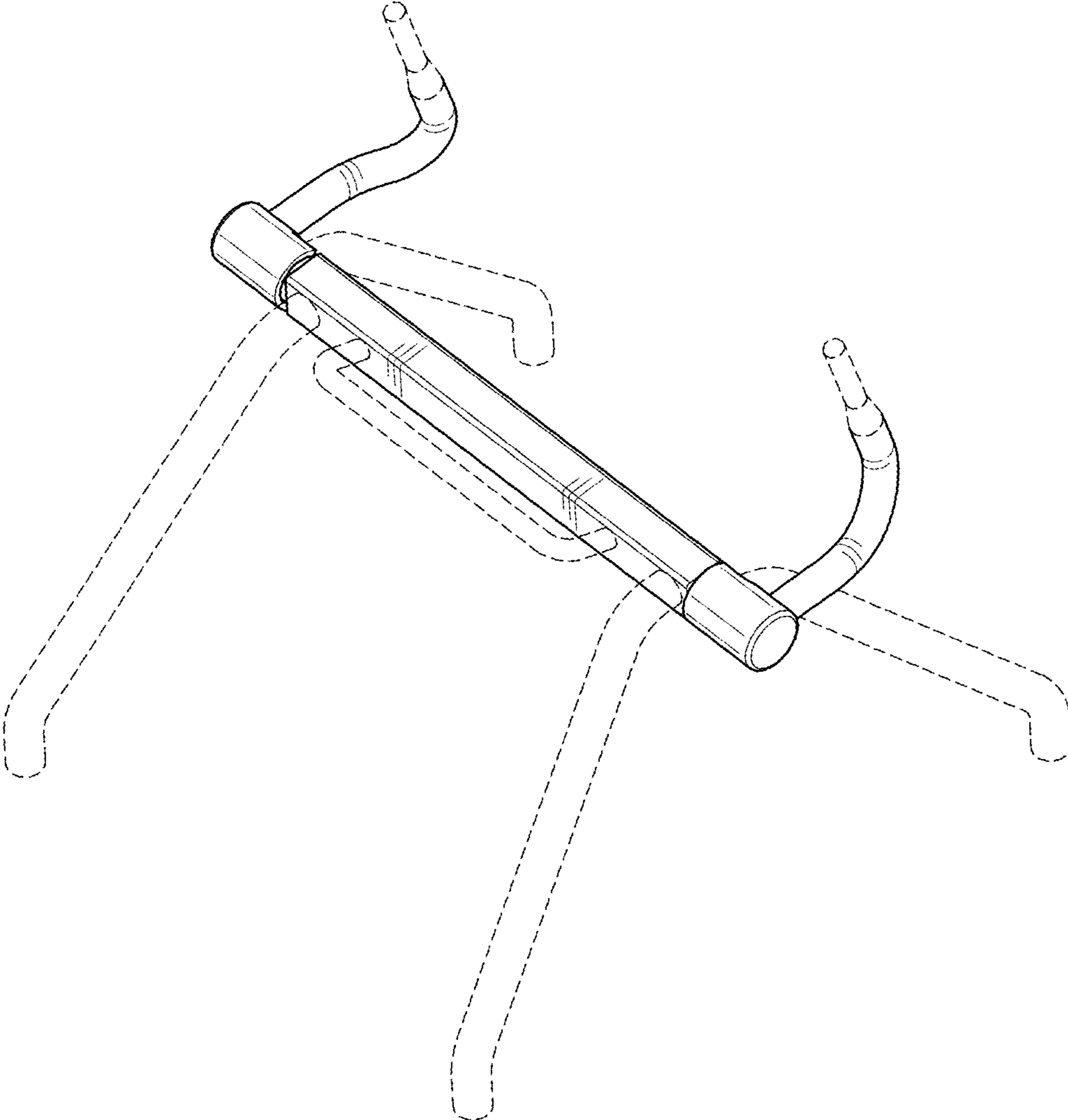


FIG. 1

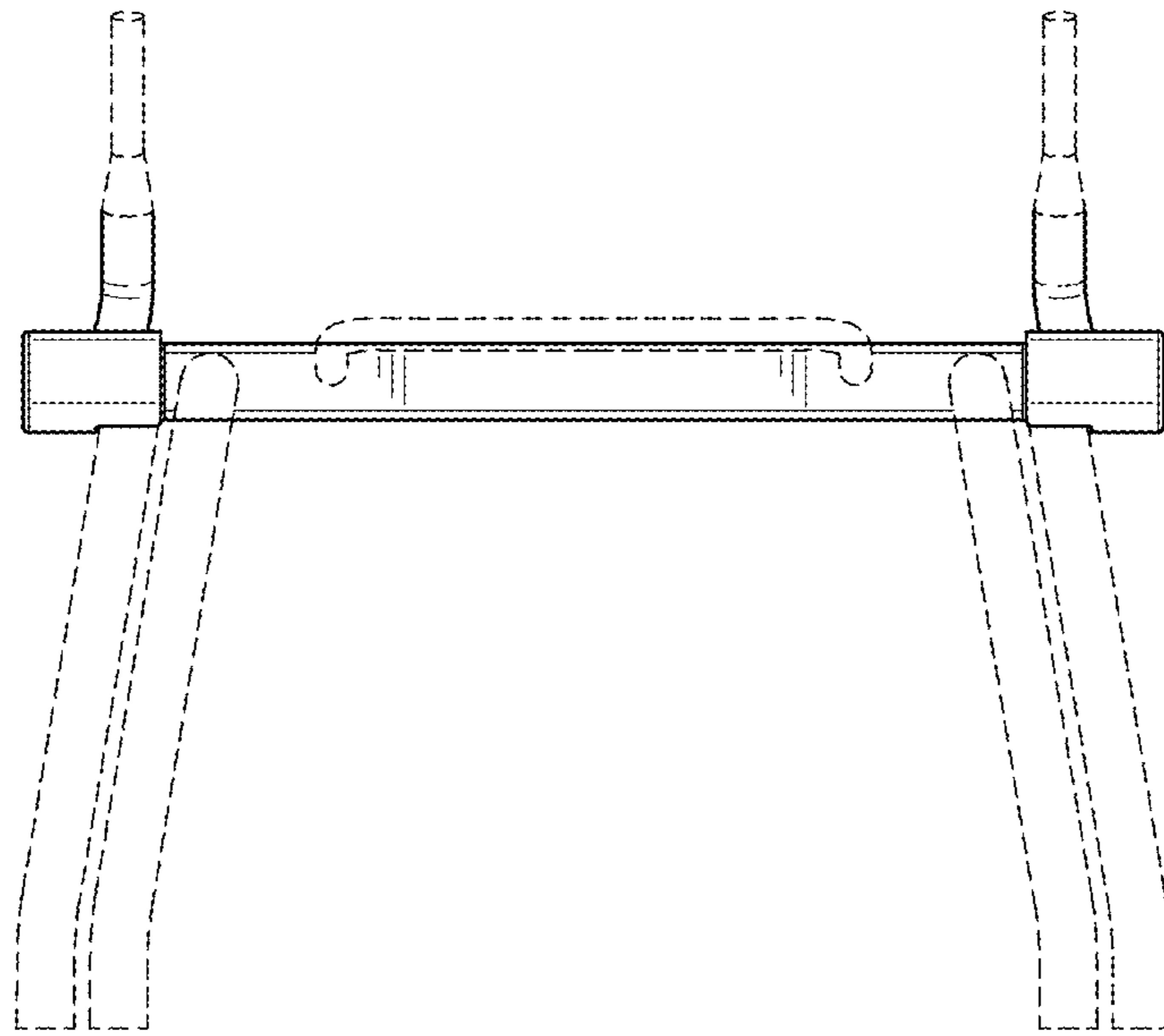


FIG. 2

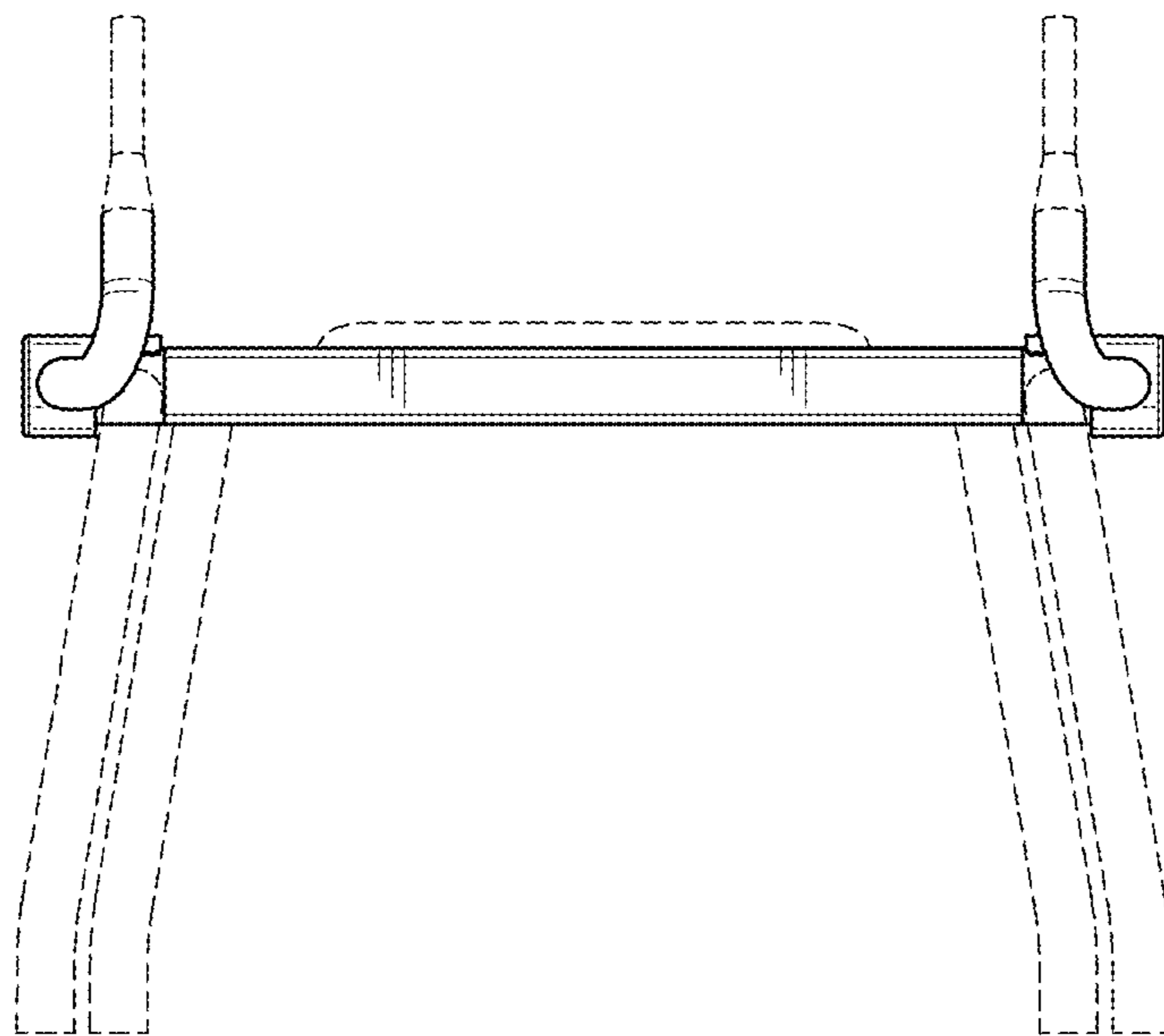


FIG. 3

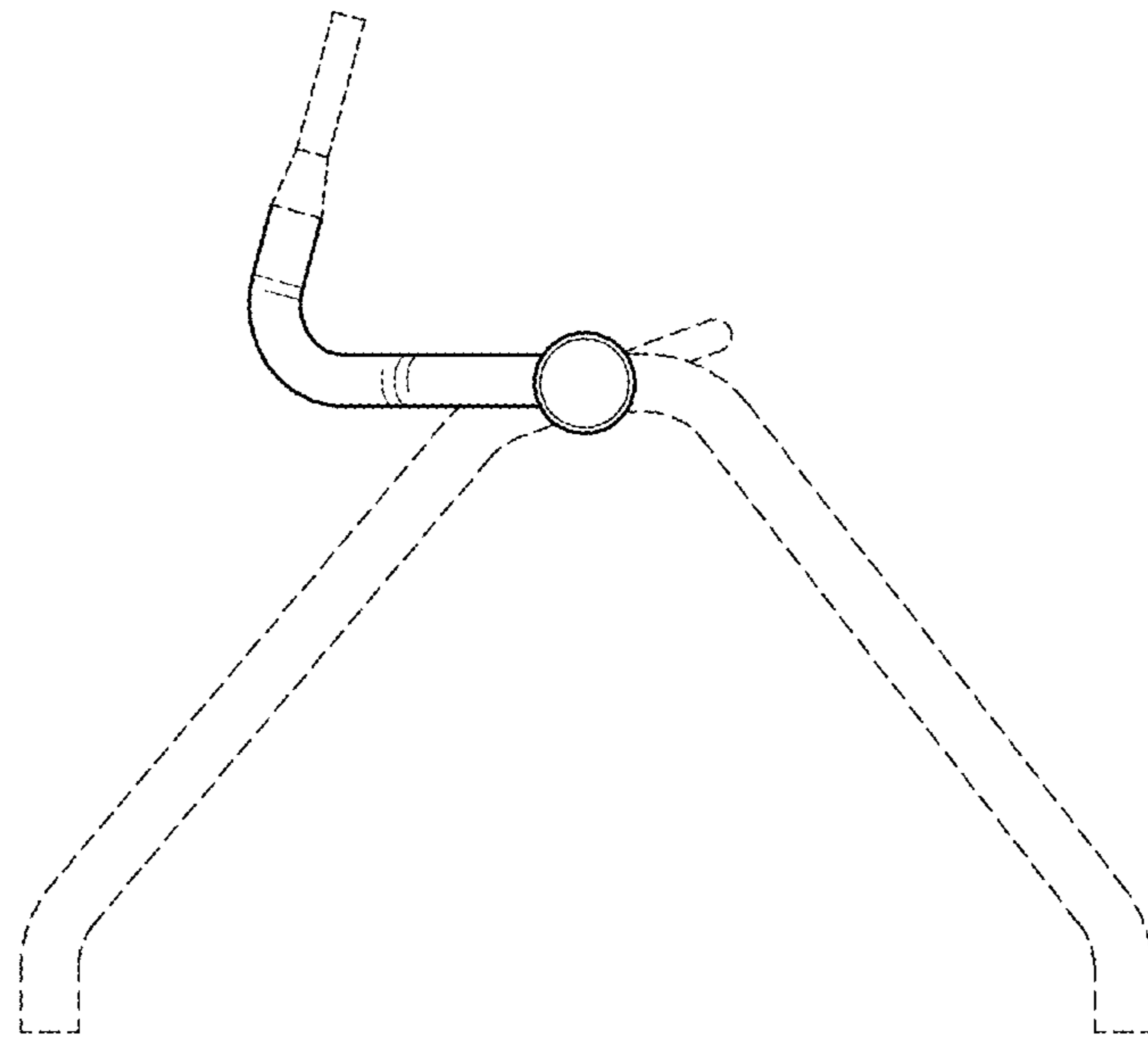


FIG. 4

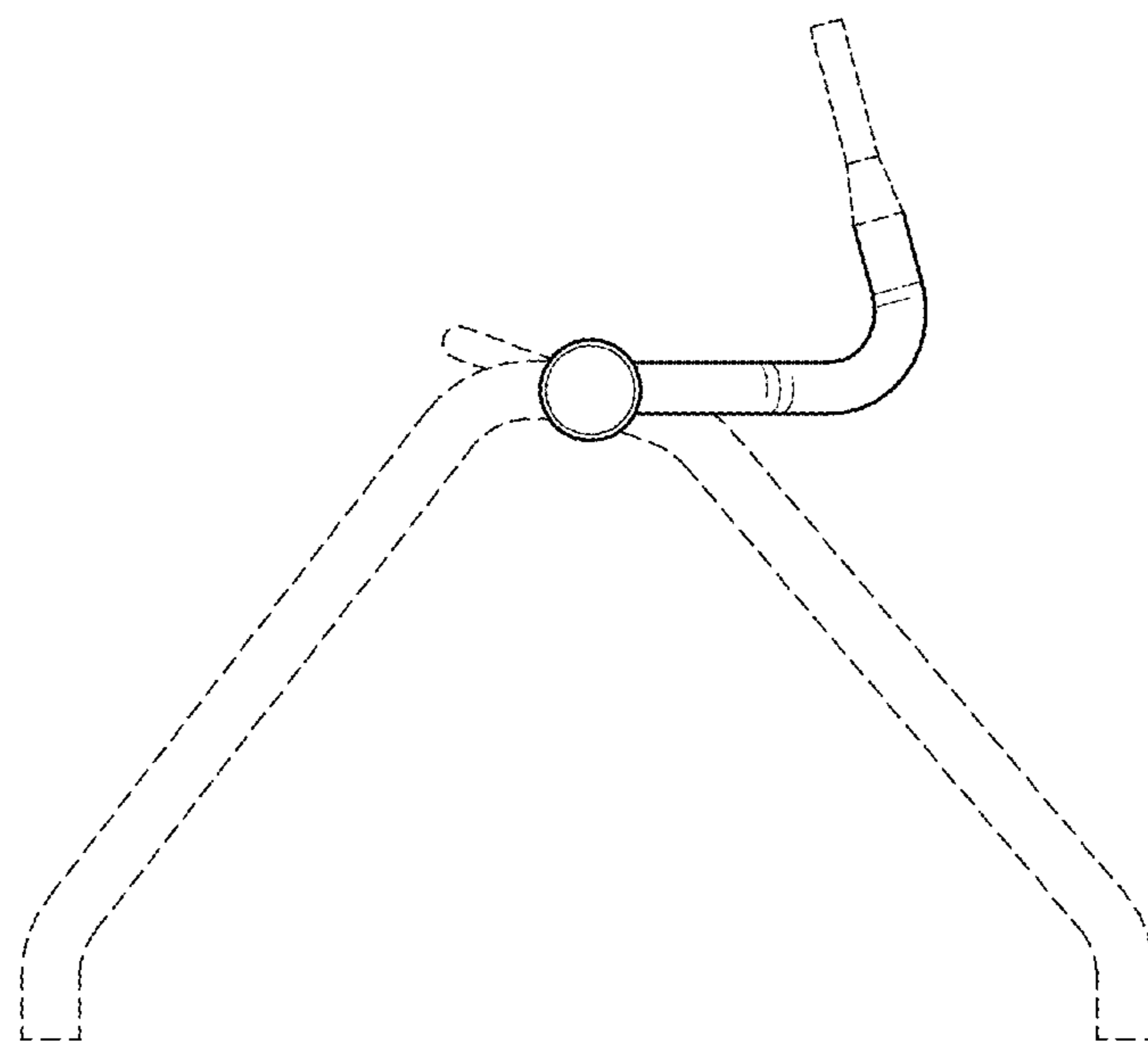


FIG. 5

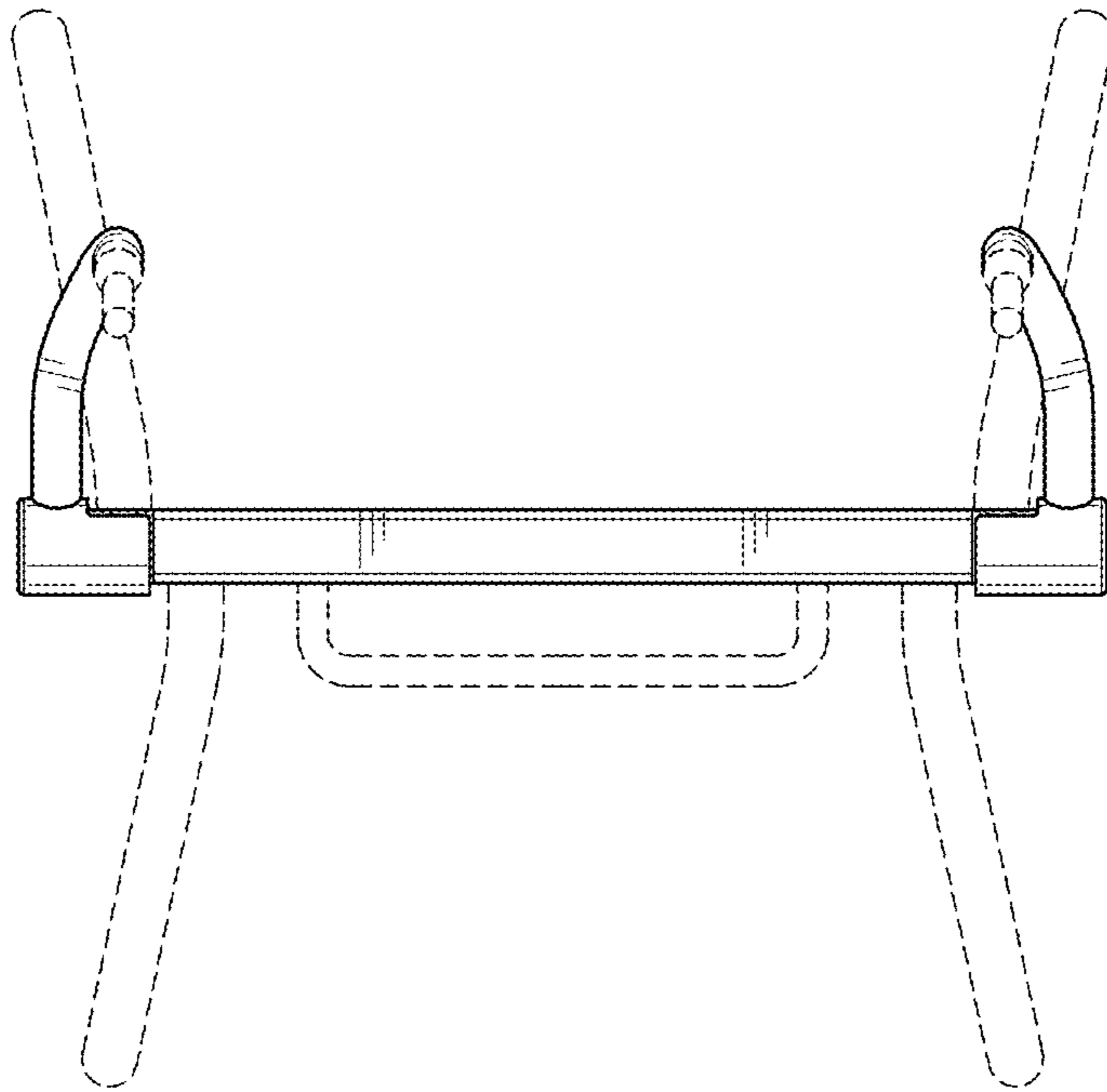


FIG. 6

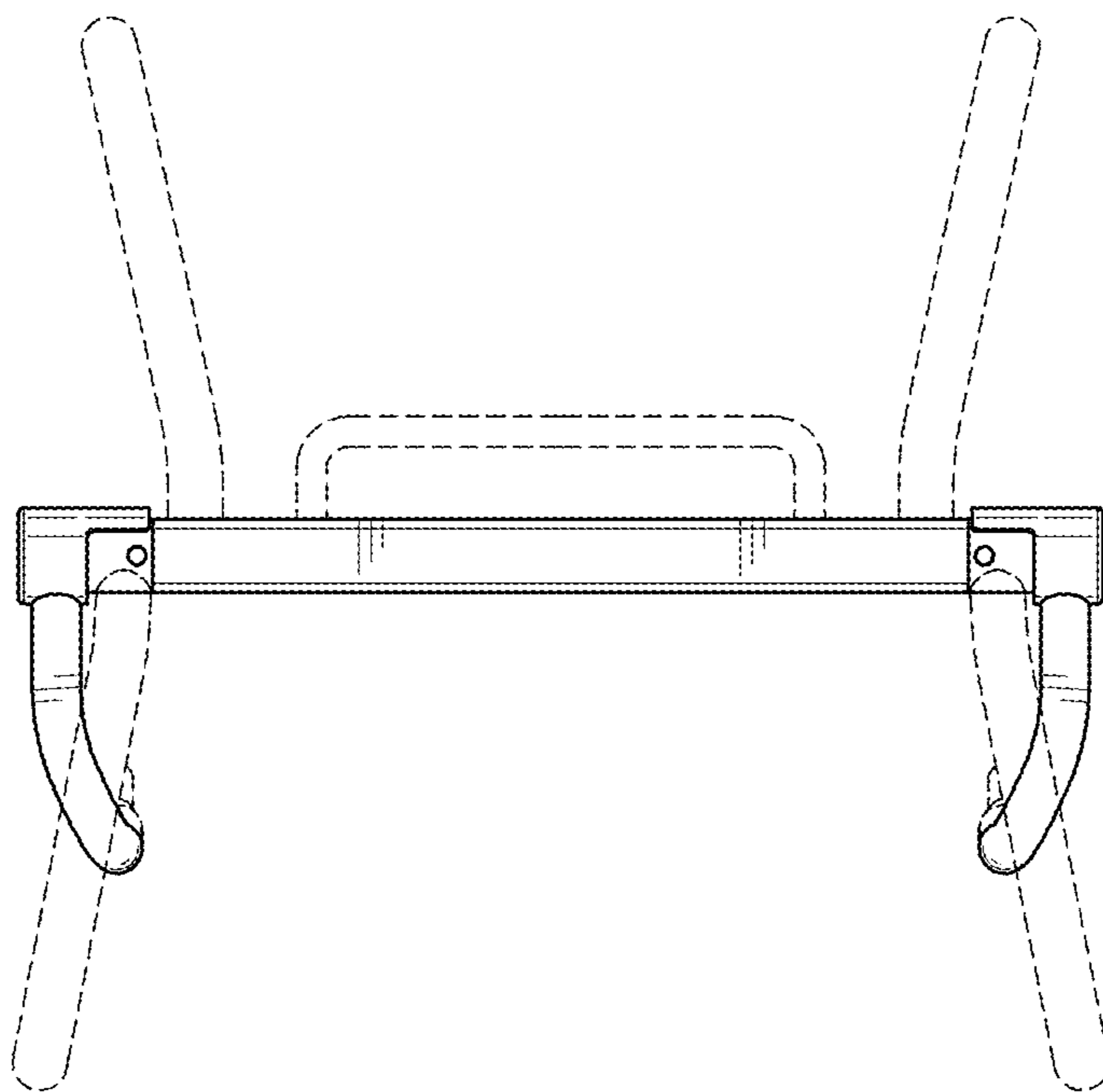


FIG. 7

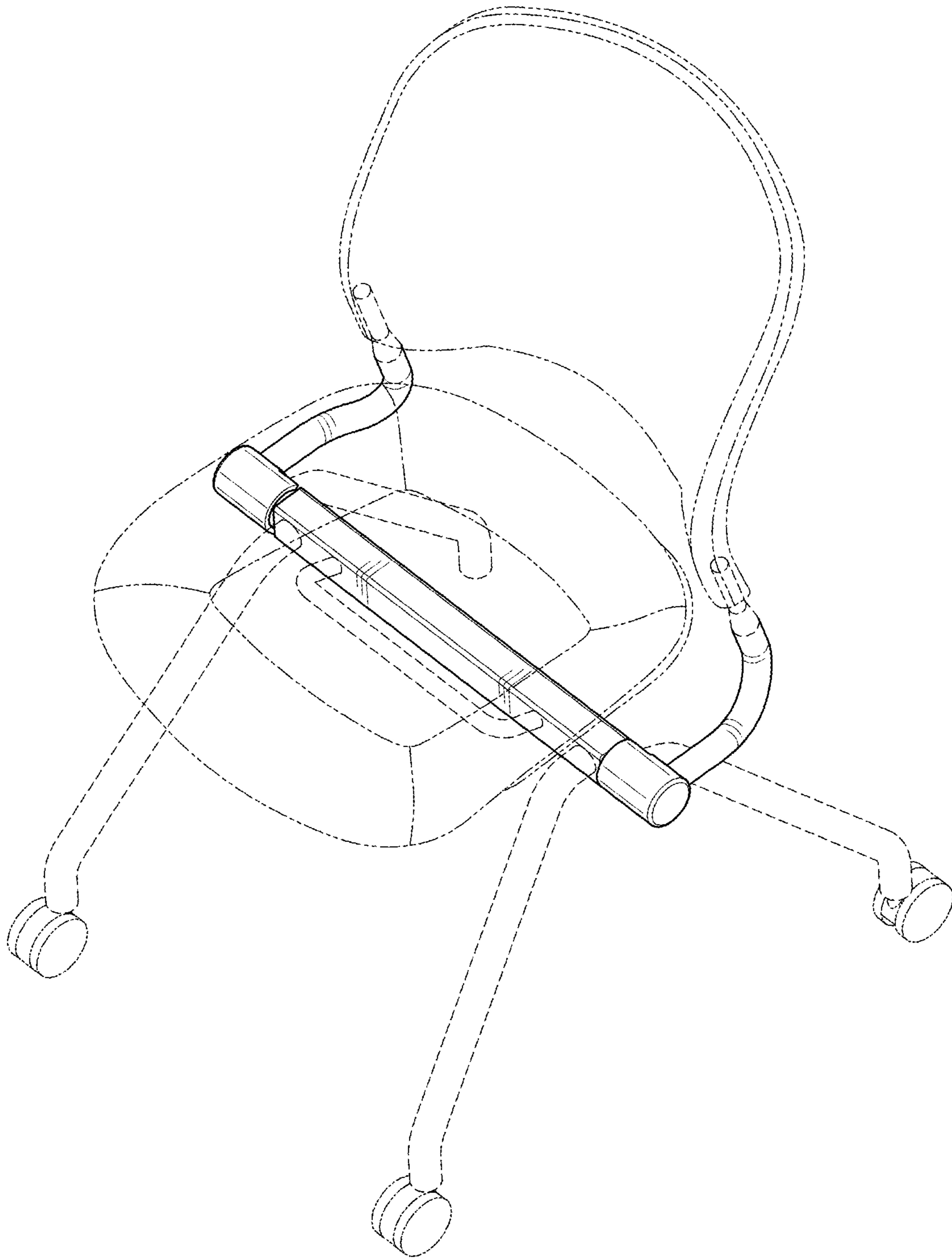


FIG. 8