



US00D878124S

(12) **United States Design Patent**
Su

(10) **Patent No.:** US D878,124 S
(45) **Date of Patent:** ** Mar. 17, 2020

(54) **CHAIR FRAME STRUCTURE**

(71) Applicant: **Shu O Su**, Tainan (TW)

(72) Inventor: **Shu O Su**, Tainan (TW)

(**) Term: **15 Years**

(21) Appl. No.: **29/630,413**

(22) Filed: **Dec. 20, 2017**

(51) **LOC (12) Cl.** **06-01**

(52) **U.S. Cl.**

USPC **D6/708.16**

(58) **Field of Classification Search**

USPC D6/334-336, 368, 373, 374, 376, 379,
D6/380, 716, 716.1, 716.2, 716.3, 716.4,
D6/708.16

CPC .. A47C 3/04; A47C 3/045; A47C 4/03; A47C
4/04; A47C 4/18; A47C 4/20; A47C 5/04;
A47C 5/10; A47C 7/40

See application file for complete search history.

(56) **References Cited**

U.S. PATENT DOCUMENTS

5,899,525	A *	5/1999	Tseng	A47C 4/20 297/51
7,147,286	B2 *	12/2006	Cesaroni	A47C 3/04 297/301.1
D594,669	S *	6/2009	Asano	D6/376
D600,935	S *	9/2009	Koh	D6/374
D600,936	S *	9/2009	Koh	D6/376
7,717,511	B2 *	5/2010	Huang	A47C 3/045 297/239
D687,642	S *	8/2013	Hsuan-Chin	D6/376
8,506,008	B2 *	8/2013	Pan	A47C 3/045 297/239

D689,297	S *	9/2013	Su	D6/376
D756,140	S *	5/2016	Kumazawa	D6/368
D758,088	S *	6/2016	Hurford	D6/376
D787,216	S *	5/2017	Pillet	D6/375
D811,789	S *	3/2018	Fletcher	D6/708.16
D817,019	S *	5/2018	Borrelli	D6/376
D820,072	S *	6/2018	Choi	D6/708.16

FOREIGN PATENT DOCUMENTS

CA	2311234	A1 *	12/2000	A47C 1/121
WO	WO-2007109699	A2 *	9/2007	A47C 1/121

* cited by examiner

Primary Examiner — Mimososa De

(74) *Attorney, Agent, or Firm* — Raymond Y. Chan;
David and Raymond Patent Firm

(57) **CLAIM**

The ornamental design for a chair frame structure, as shown and described.

DESCRIPTION

FIG. 1 is a perspective view of chair frame structure showing my new design;

FIG. 2 is a front view thereof;

FIG. 3 is a rear view thereof;

FIG. 4 is a left end view thereof;

FIG. 5 is a right end view thereof;

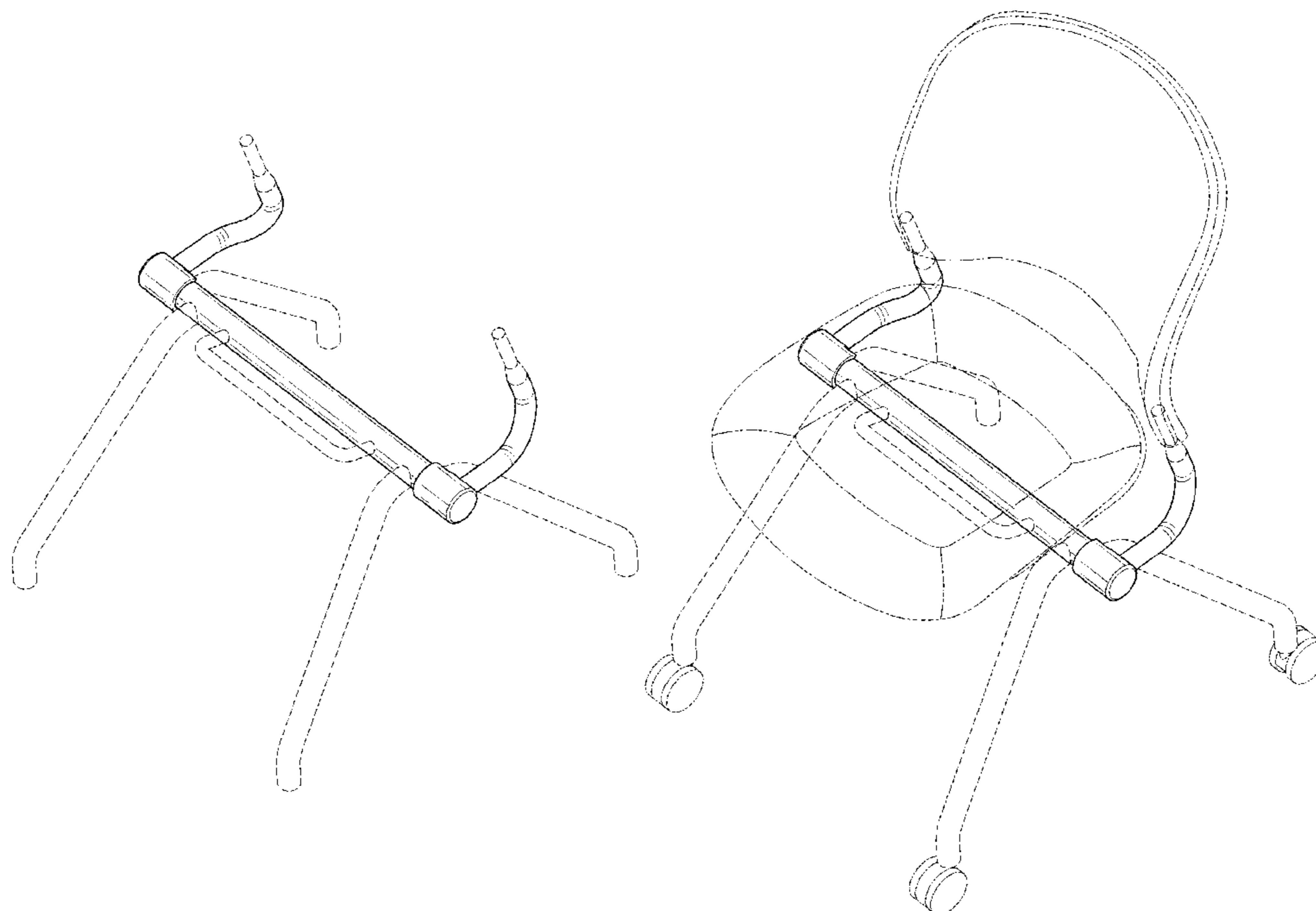
FIG. 6 is a top view thereof;

FIG. 7 is a bottom view thereof; and,

FIG. 8 is a perspective view showing the use and arrangement of my new design.

The surface(s) or portion(s) of the article shown in broken lines in the drawings being for illustrative purpose only and forming no part of the claimed design.

1 Claim, 5 Drawing Sheets



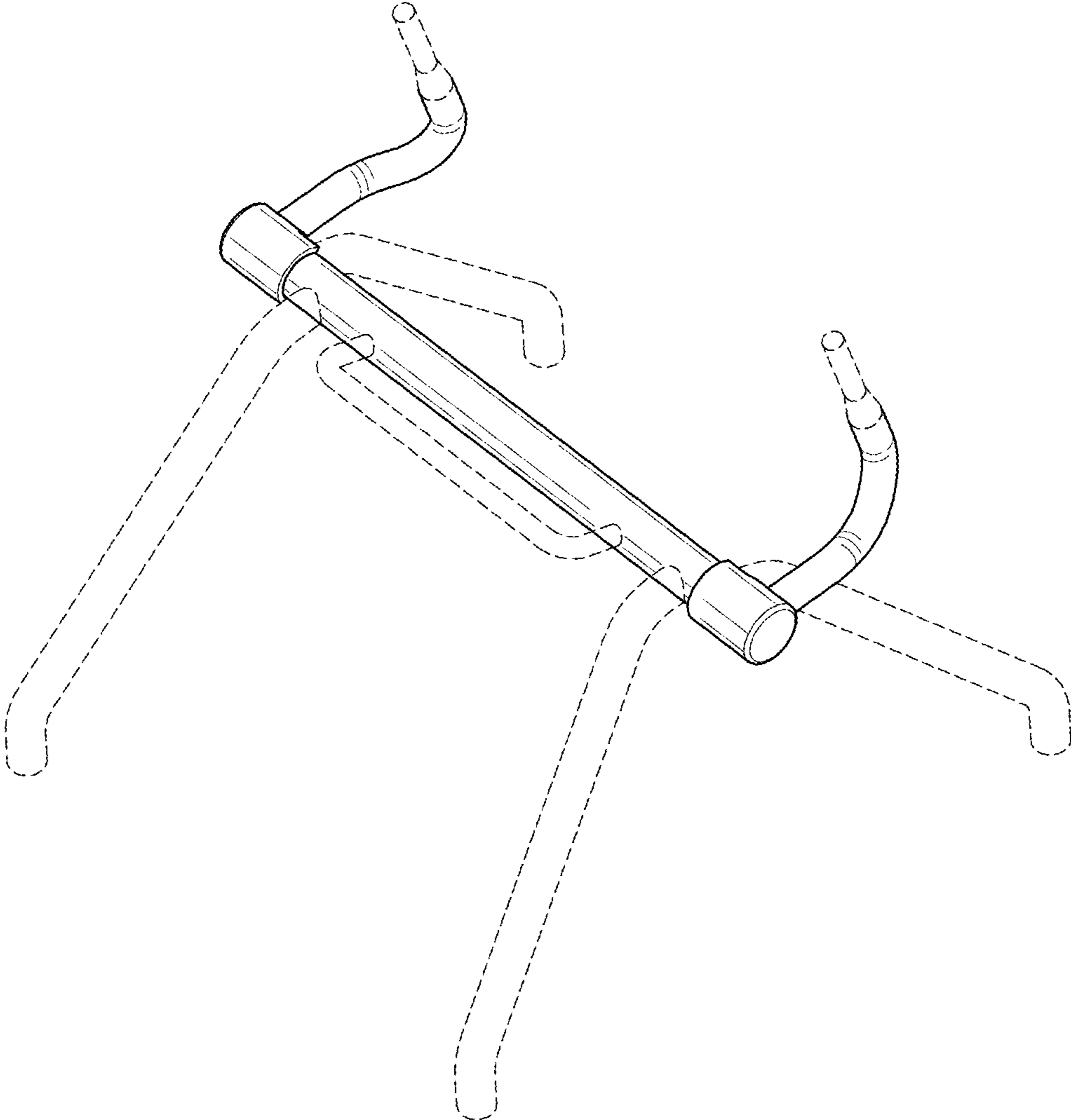


FIG. 1

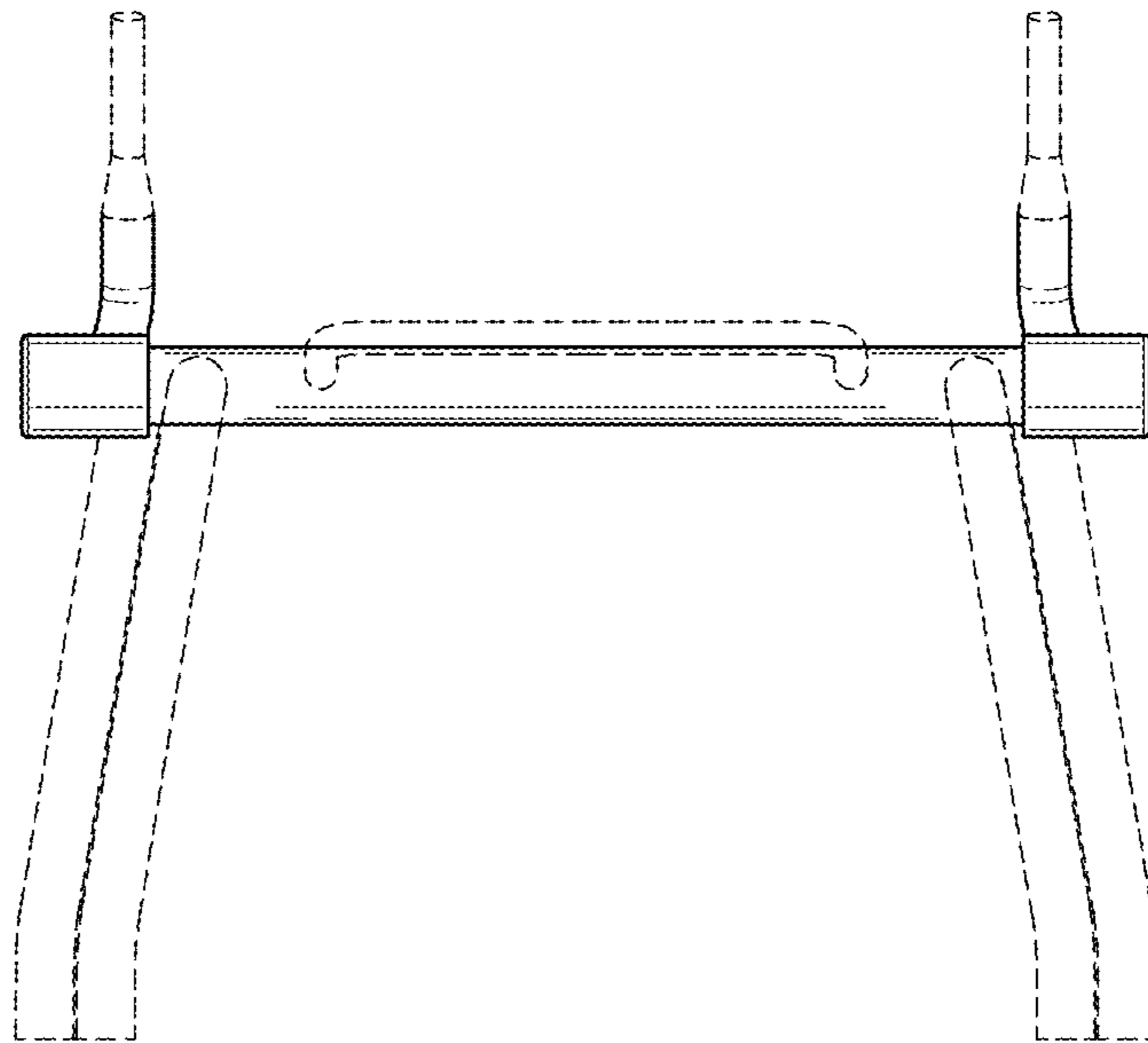


FIG. 2

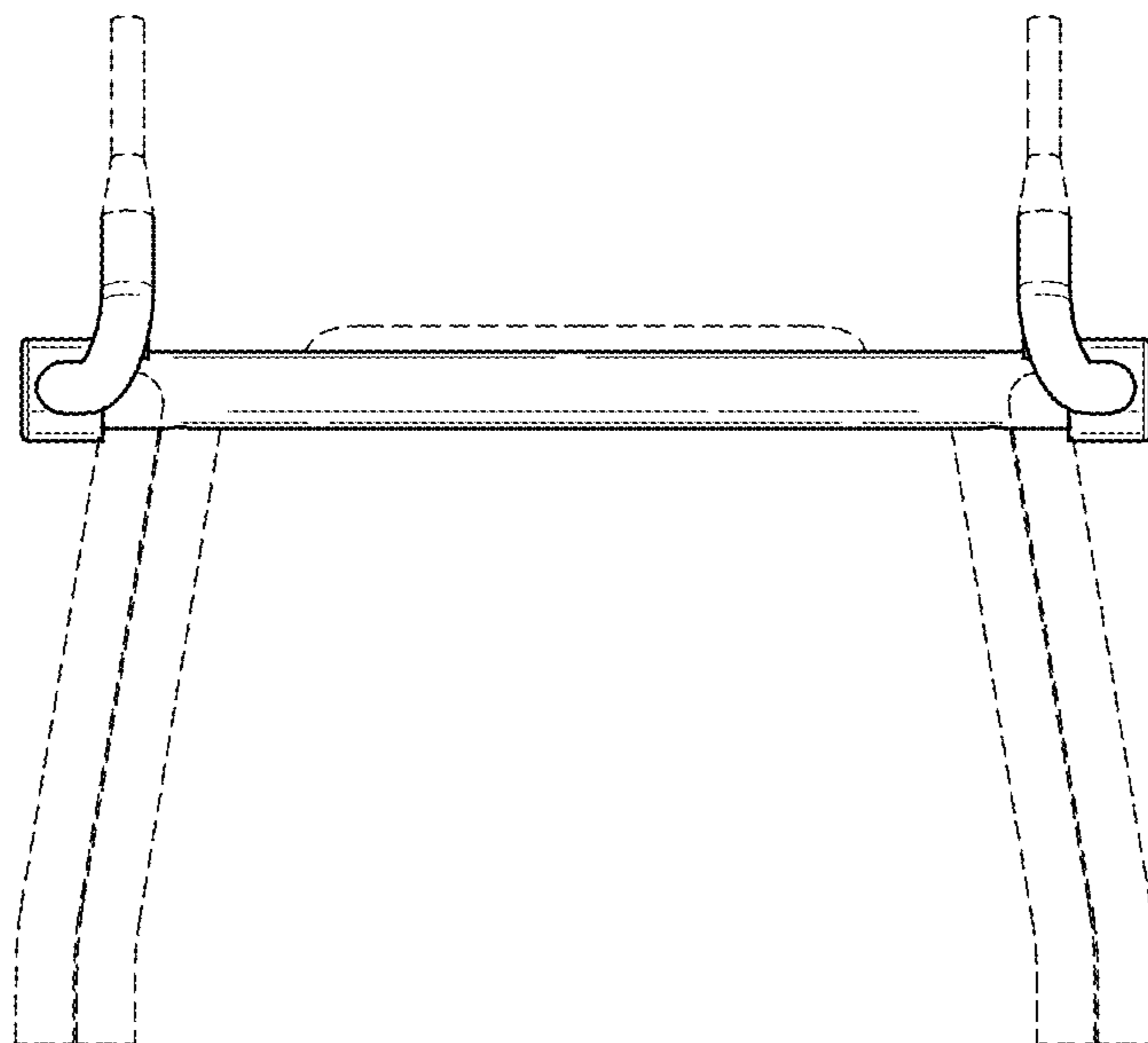


FIG. 3

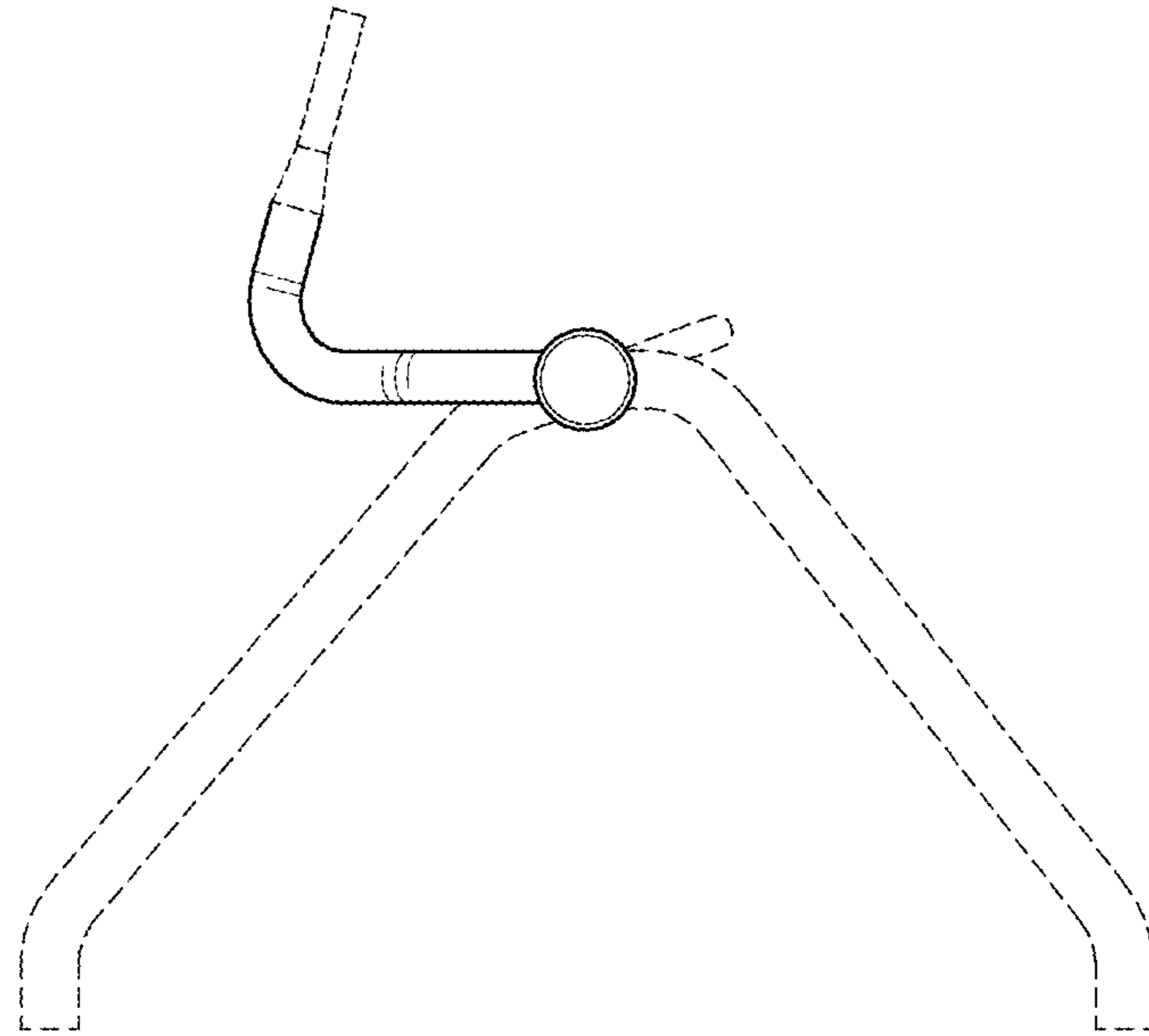


FIG. 4

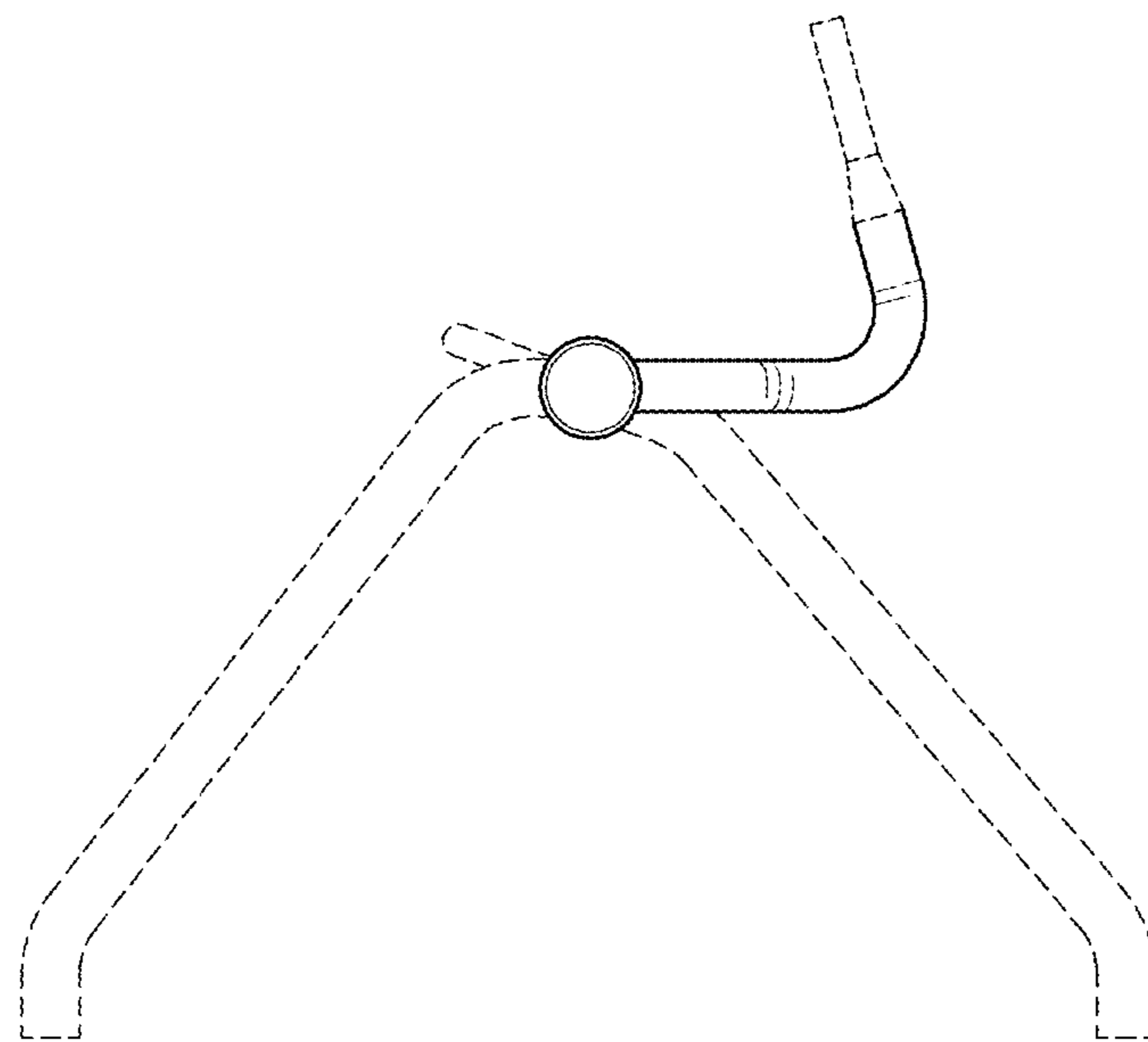


FIG. 5

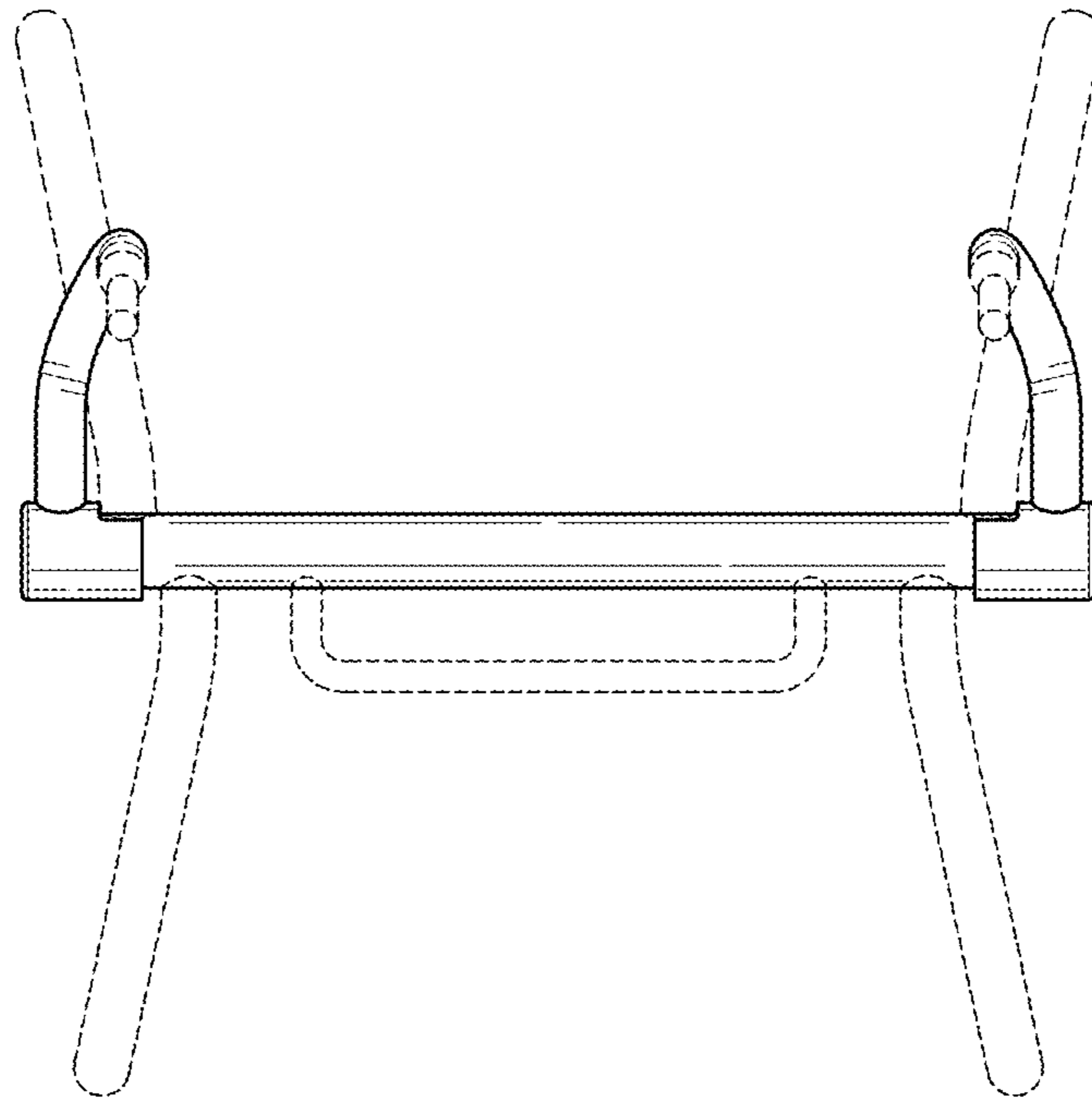


FIG. 6

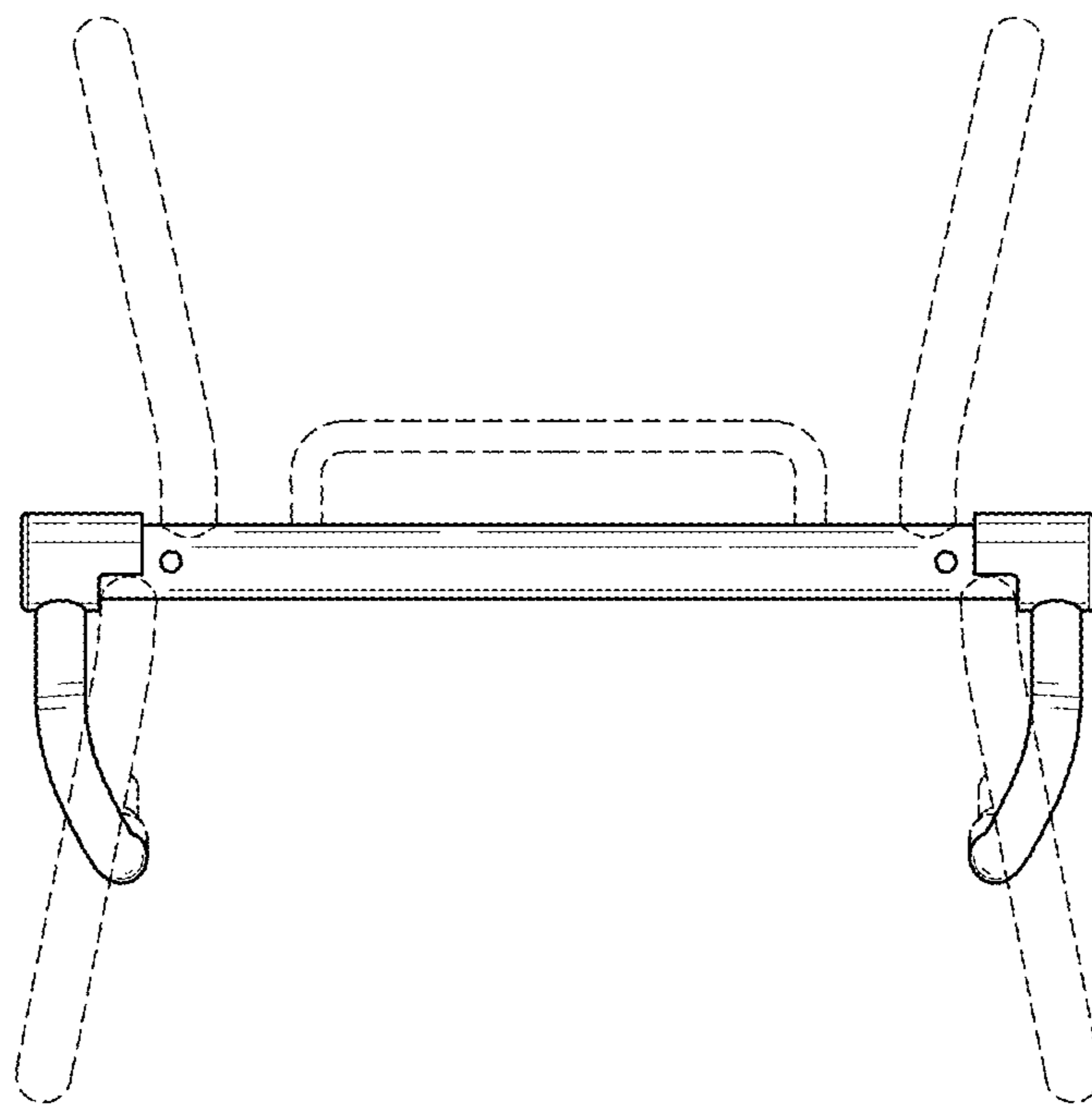


FIG. 7

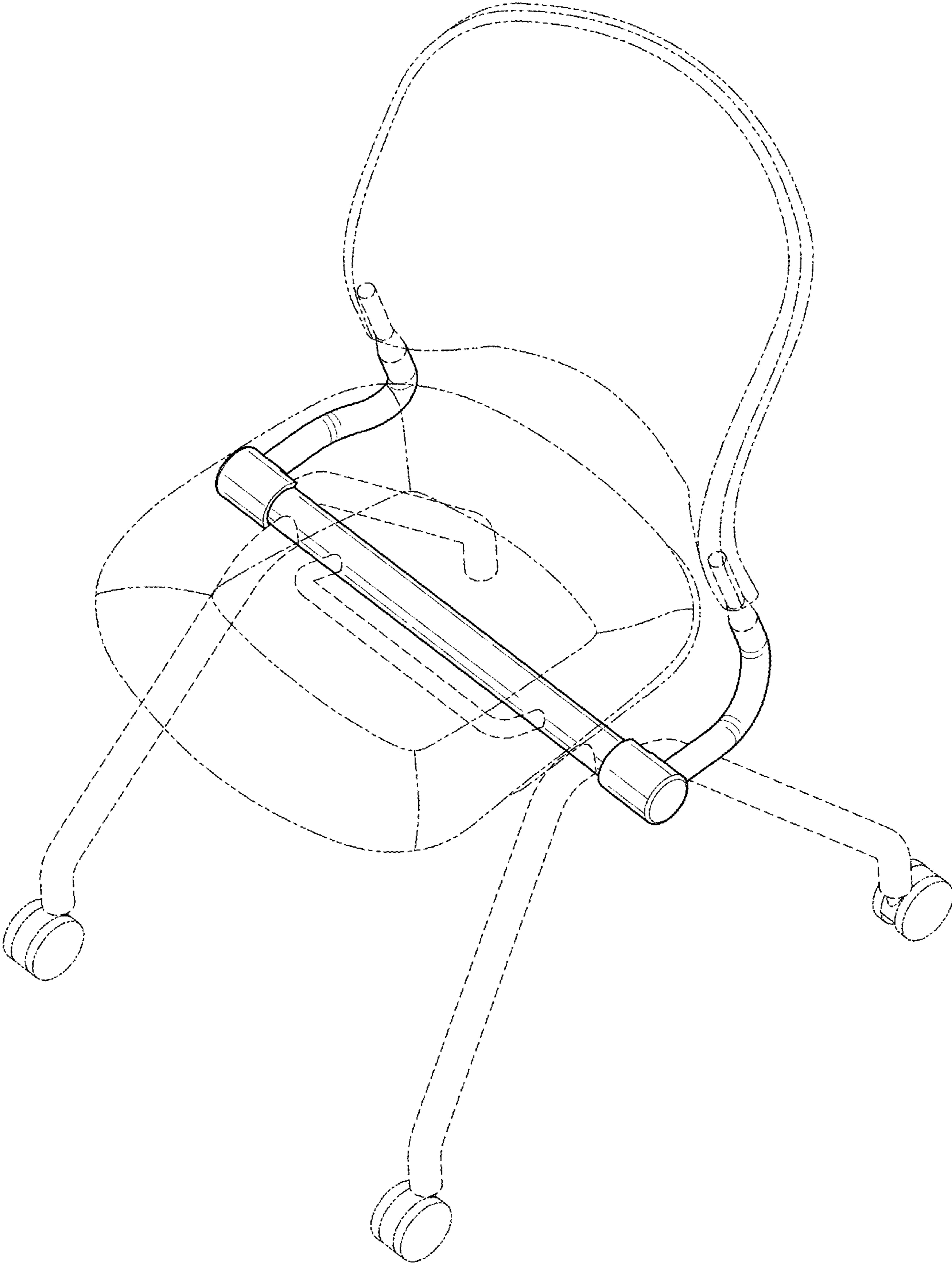


FIG. 8