



US00D878123S

(12) **United States Design Patent**
Liss et al.

(10) **Patent No.:** **US D878,123 S**
(45) **Date of Patent:** **** Mar. 17, 2020**

(54) **SHELVING UNIT WITH COLOR COORDINATED TOTE**

DESCRIPTION

(71) Applicant: **Edsal Manufacturing Company, Inc.**,
Chicago, IL (US)

(72) Inventors: **Mitchell Liss**, Northbrook, IL (US);
Christopher Quick, Mokena, IL (US);
Mitchell E. Bianchin, Villa Park, IL (US)

(73) Assignee: **Edsal Manufacturing Company, Inc.**,
Chicago, IL (US)

(**) Term: **15 Years**

(21) Appl. No.: **29/671,408**

(22) Filed: **Nov. 27, 2018**

(51) **LOC (12) Cl.** **06-06**

(52) **U.S. Cl.**
USPC **D6/705.6**

(58) **Field of Classification Search**
USPC ... D6/552, 572-574, 675, 675.2, 705, 705.1,
D6/705.2, 705.6, 705.7, 706
(Continued)

(56) **References Cited**

U.S. PATENT DOCUMENTS

D127,672 S * 6/1941 Brown D6/675.4
D572,903 S * 7/2008 McNamara D3/282
(Continued)

Primary Examiner — Kelley A Donnelly

(74) *Attorney, Agent, or Firm* — Wood Herron & Evans
LLP

(57) **CLAIM**

The ornamental design for a shelving unit with color coordinated tote therefor, as shown and described.

In FIGS. 1-6, the patent or application file contains at least one drawing executed in color. Copies of this patent with color drawings will be provided by the Office upon request of payment of the necessary fee. A petition to accept the color drawings submitted herewith and under 37 CFR 1.84 (a)(2) is filed herewith.

FIG. 1 is an isometric view of a shelving unit with color coordinated tote with environmental subject matter according to the present invention.

FIG. 2 is an isometric view of a shelving unit with color coordinated tote;

FIG. 3 is a front elevation view thereof, the rear view being identical to the front view;

FIG. 4 is a right-side elevation view thereof, the left-side view being identical to the right-side view;

FIG. 5 is a top plan view thereof; and

FIG. 6 is a bottom plan view thereof.

FIG. 7 is an isometric view of a shelving unit with color coordinated tote with environmental subject matter according to an alternative embodiment of the present invention.

FIG. 8 is an isometric view of a shelving unit with color coordinated tote;

FIG. 9 is a front elevation view thereof, the rear view being identical to the front view;

FIG. 10 is a right-side elevation view thereof, the left-side view being identical to the right-side view;

FIG. 11 is a top plan view thereof; and,

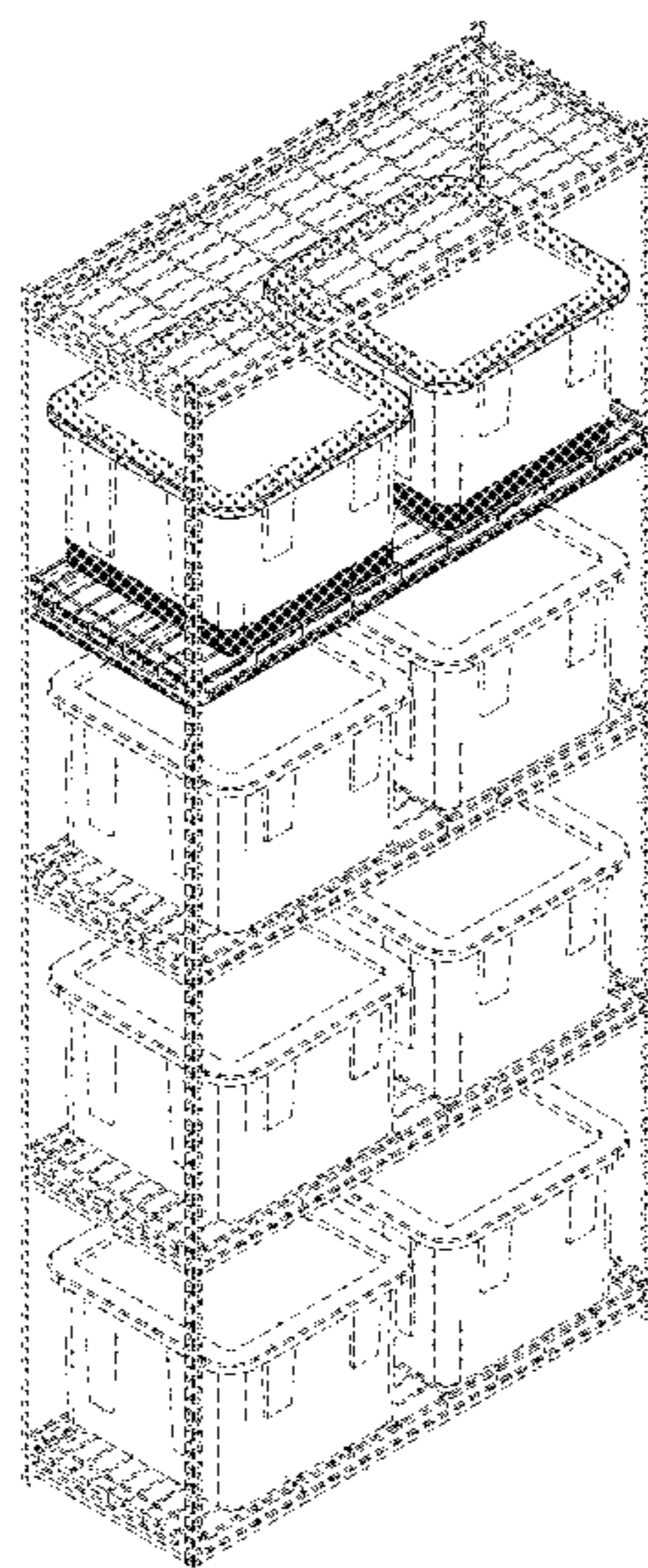
FIG. 12 is a bottom plan view thereof.

The broken dash lines in the figures are for illustrative purposes only and represent non-claimed environmental subject matter. Neither the portions of the invention shown in broken dash line nor the broken dash lines themselves form any part of the claimed invention.

In FIGS. 7-12, the stippled portion of the design represents a first color and the non-stippled portion of the design represents a second color contrasting with the first color.

Additionally, the unshown portion of the shelving unit with color coordinated tote forms no part of the claimed design.

1 Claim, 12 Drawing Sheets
(6 of 12 Drawing Sheet(s) Filed in Color)



(58) **Field of Classification Search**

CPC A47F 5/0018; A47F 5/01; A47F 5/0031;
A47F 5/0081; A47F 5/0093; A47B 96/02

See application file for complete search history.

(56) **References Cited**

U.S. PATENT DOCUMENTS

D597,354	S *	8/2009	Liss	D6/705.6
D634,952	S *	3/2011	Gile	D6/515
D637,427	S *	5/2011	Troyner	D6/705.6
D683,983	S *	6/2013	Troyner	D6/675.2
D742,150	S *	11/2015	Fitzgerald	D6/705.6
D777,480	S *	1/2017	Anderson	D6/675.2
D799,870	S *	10/2017	Liss	D6/705.6
D812,945	S *	3/2018	Turner	D6/705.6
2012/0000871	A1 *	1/2012	Troyner	A47B 47/021 211/134
2012/0000873	A1 *	1/2012	Fitzgerald	A47B 57/50 211/153
2018/0365642	A1 *	12/2018	Bonner	G06Q 10/0836

* cited by examiner

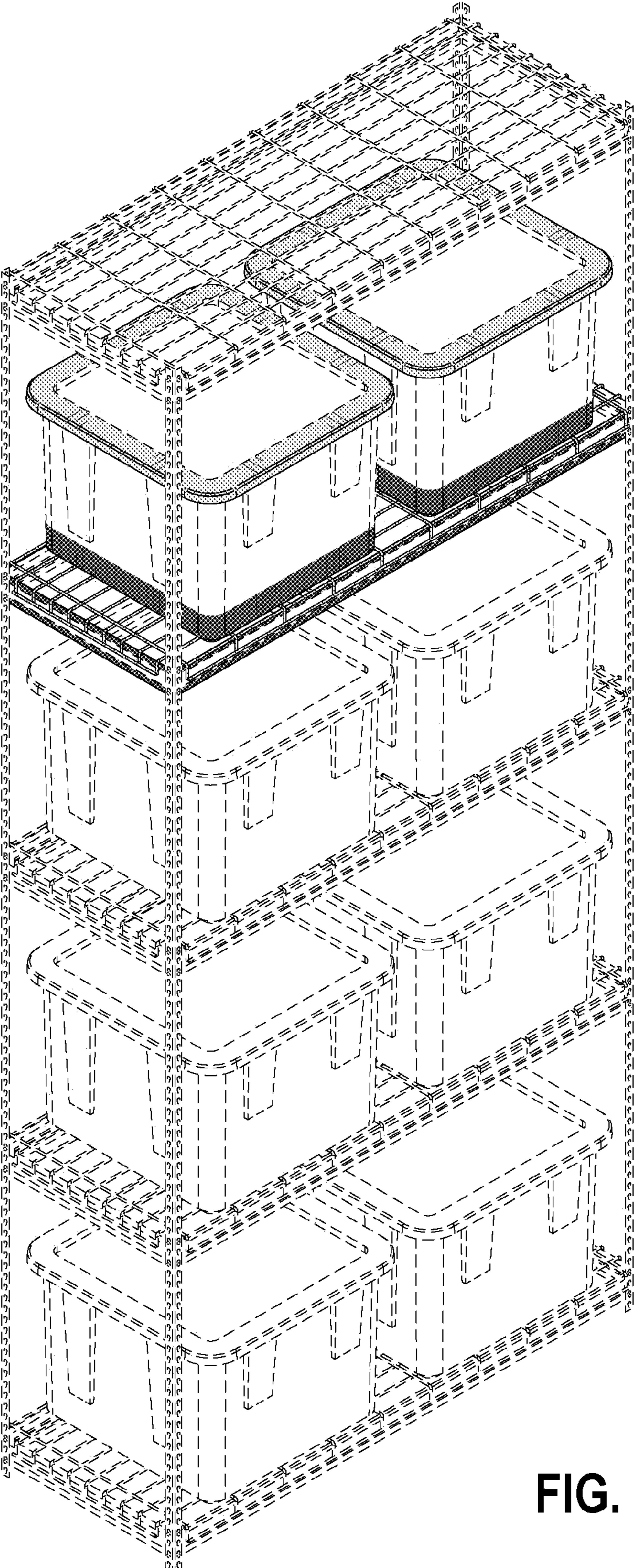


FIG. 1

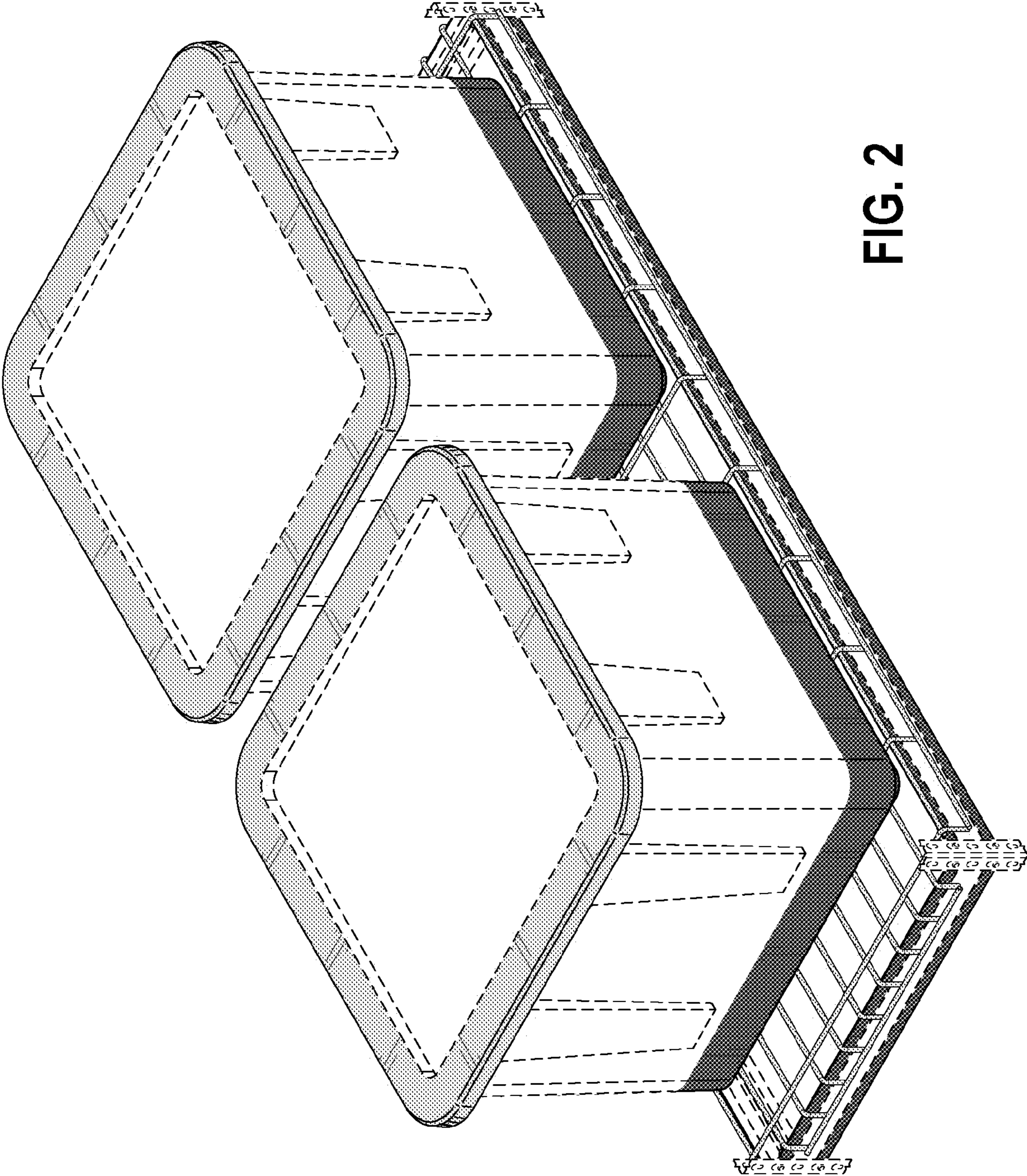


FIG. 2

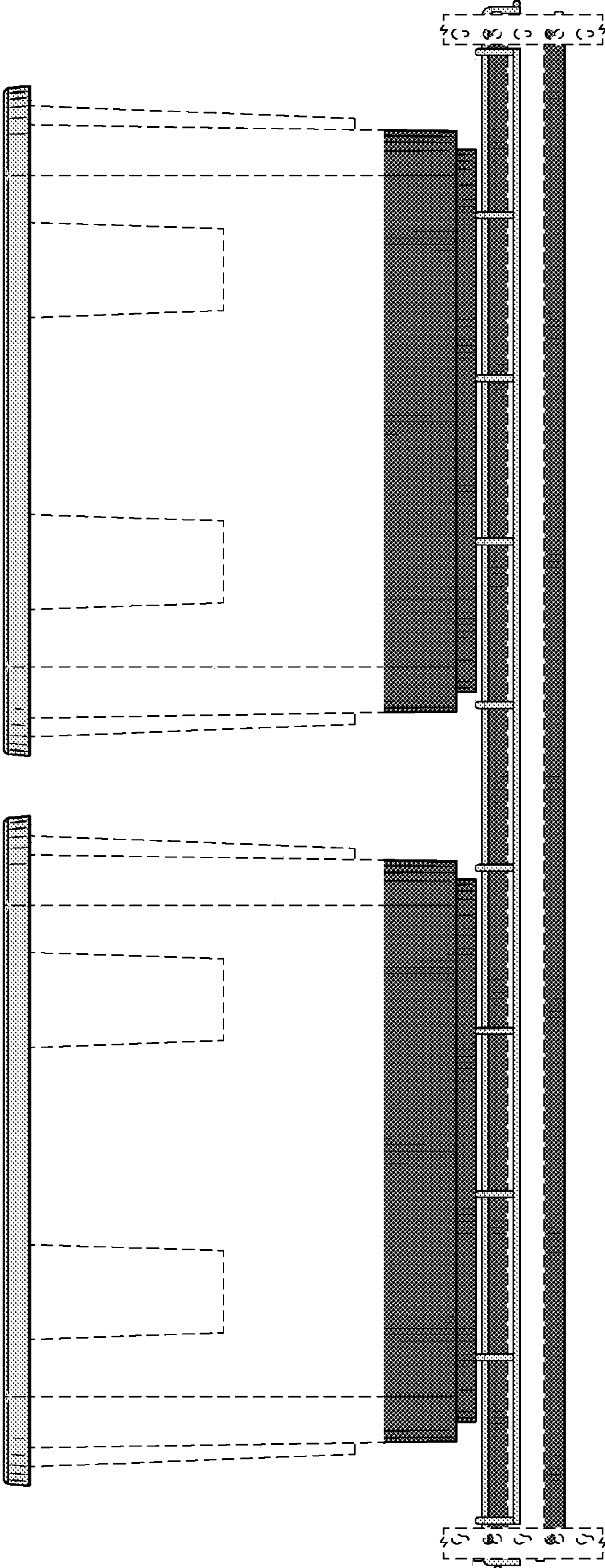


FIG. 3

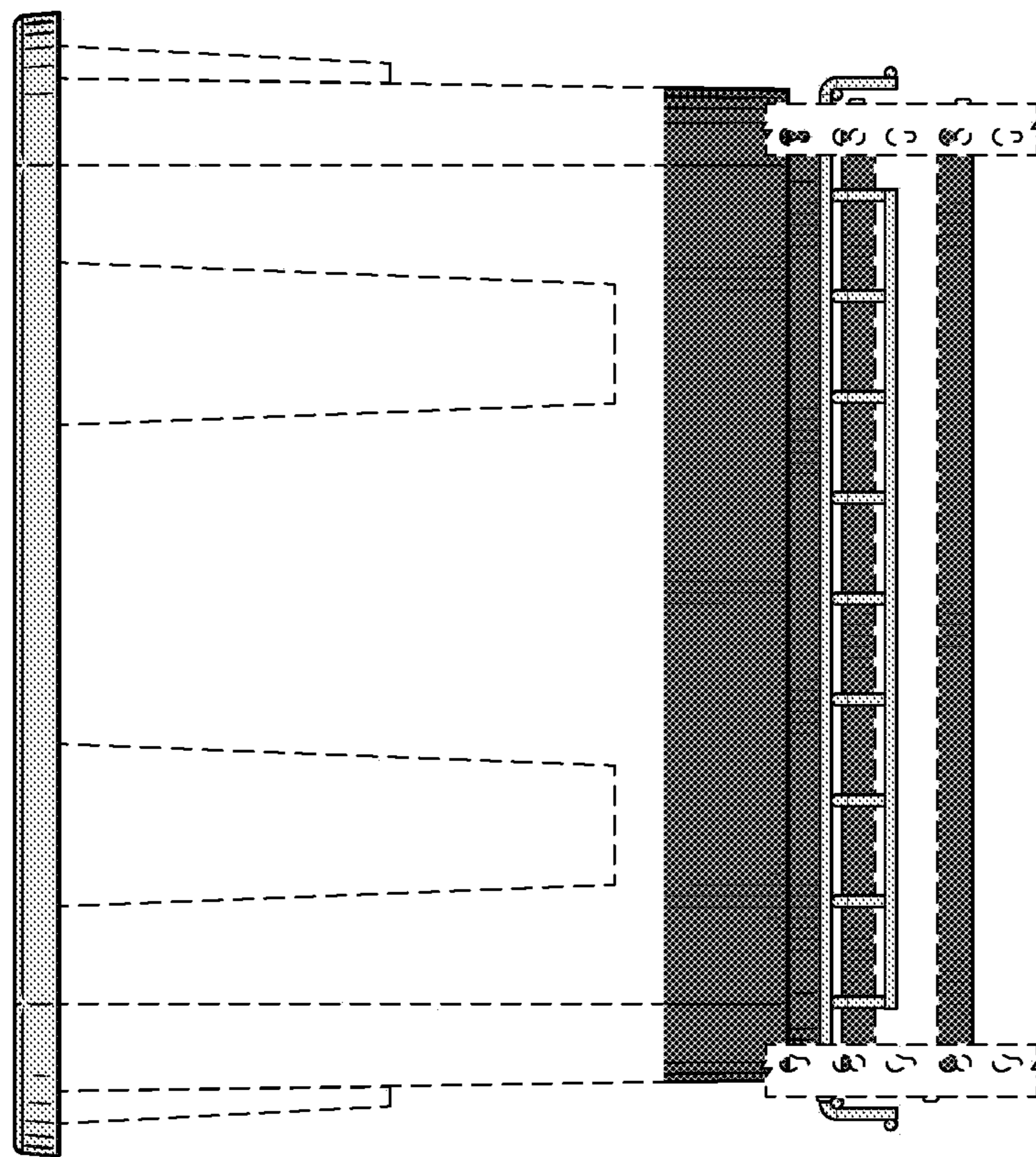


FIG. 4

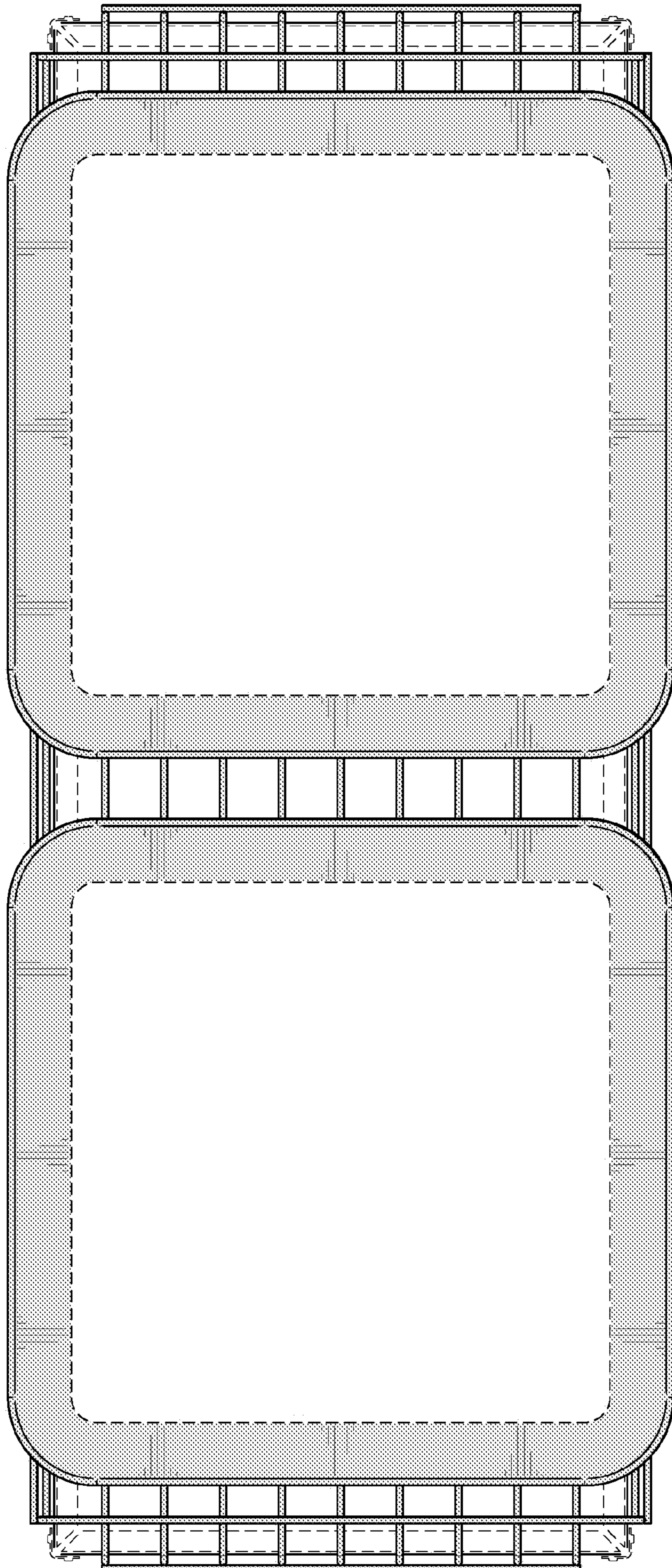


FIG. 5

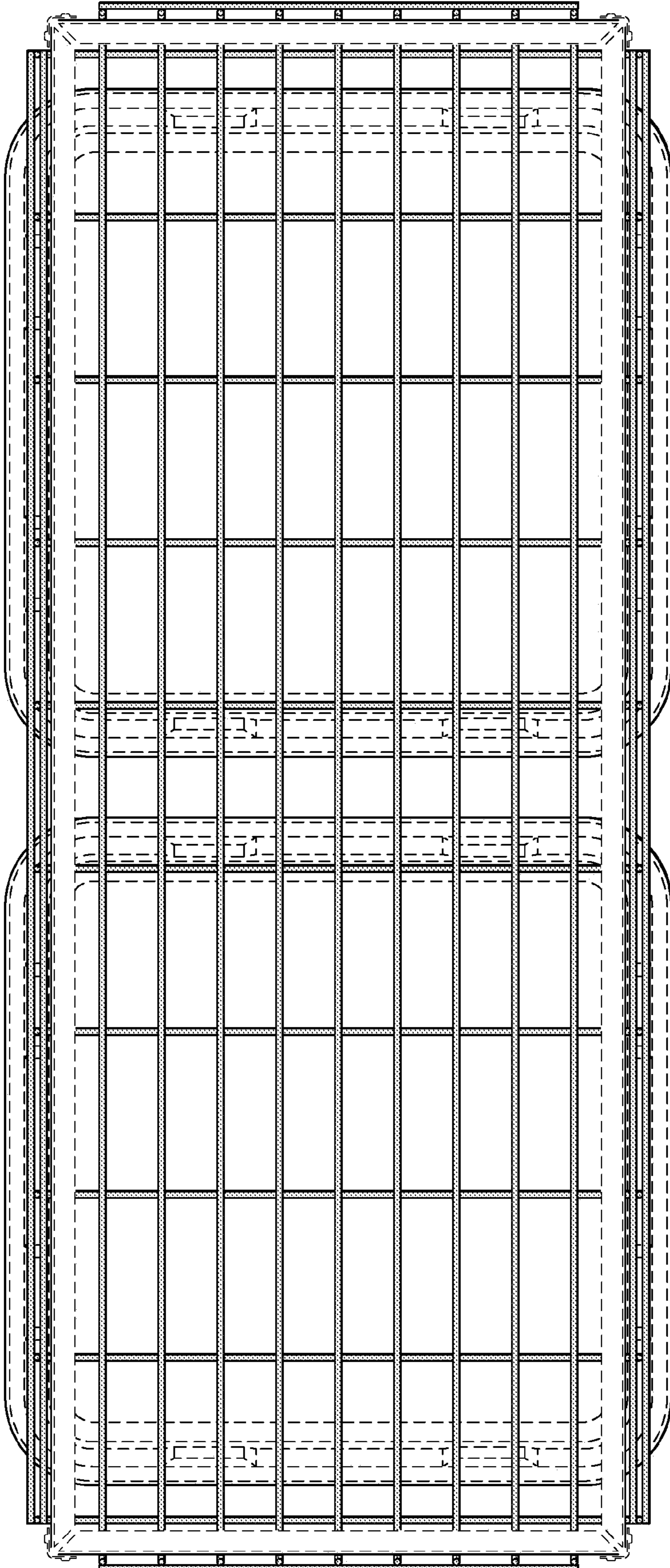


FIG. 6

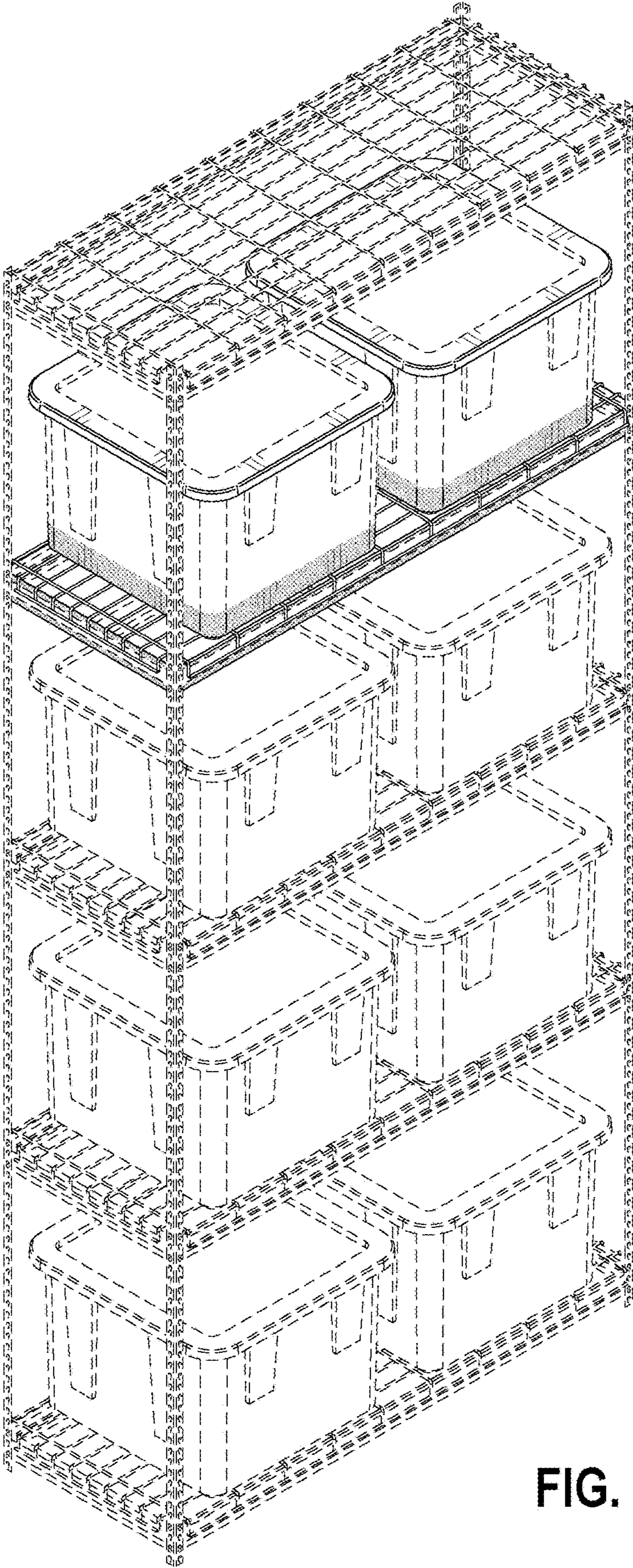


FIG. 7

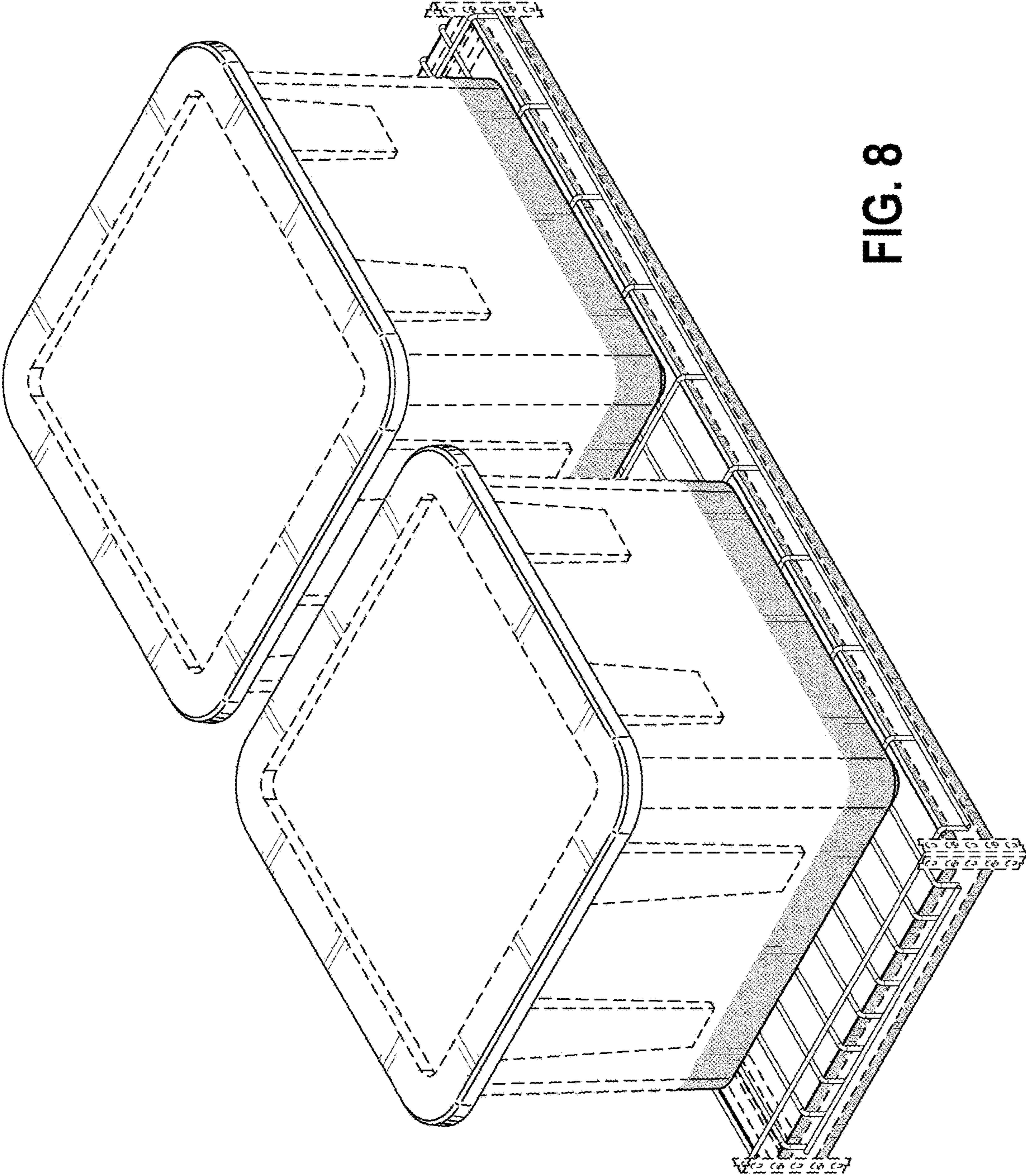


FIG. 8

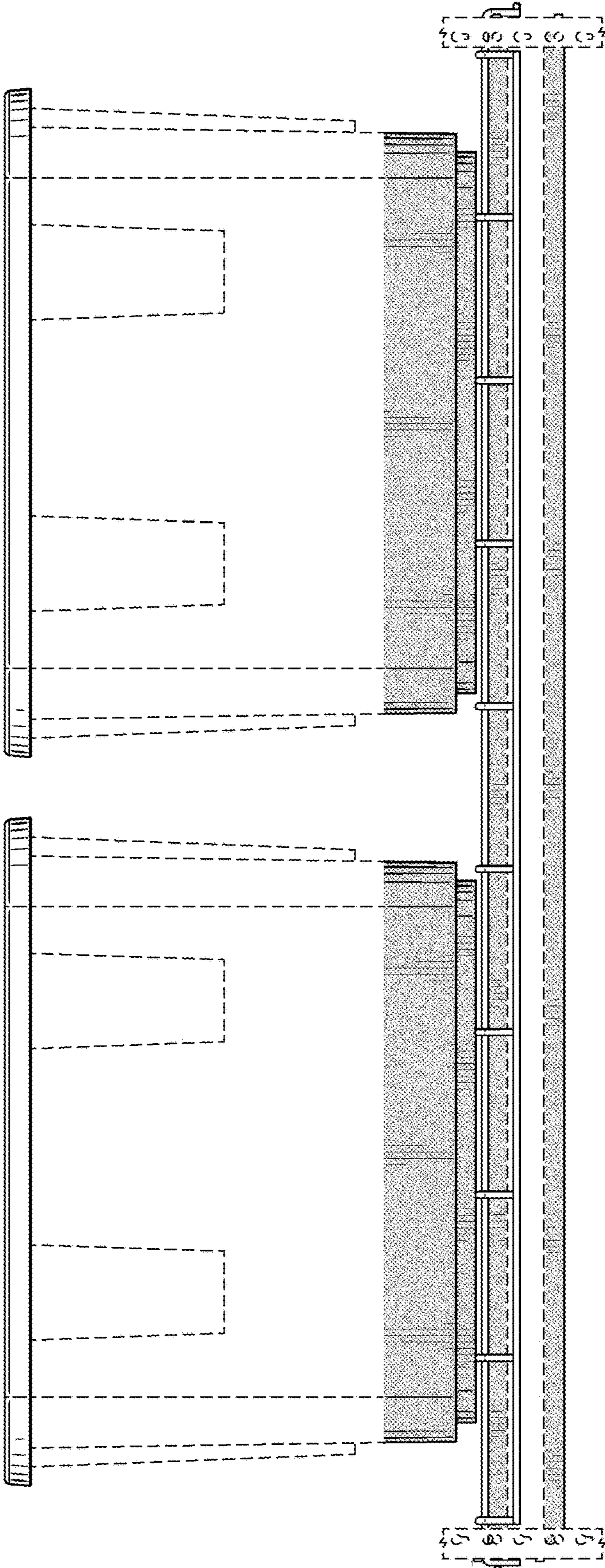


FIG. 9

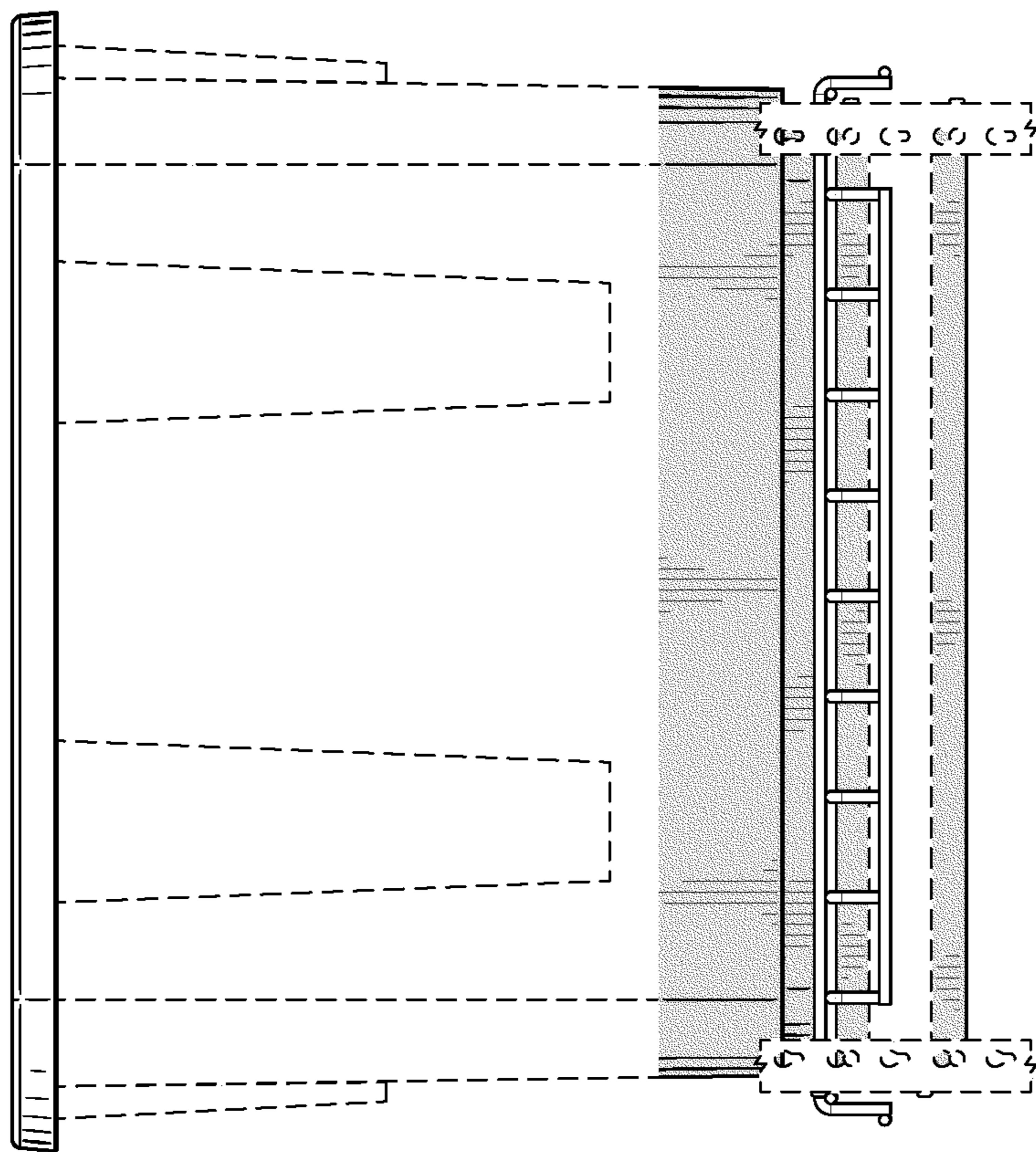


FIG. 10

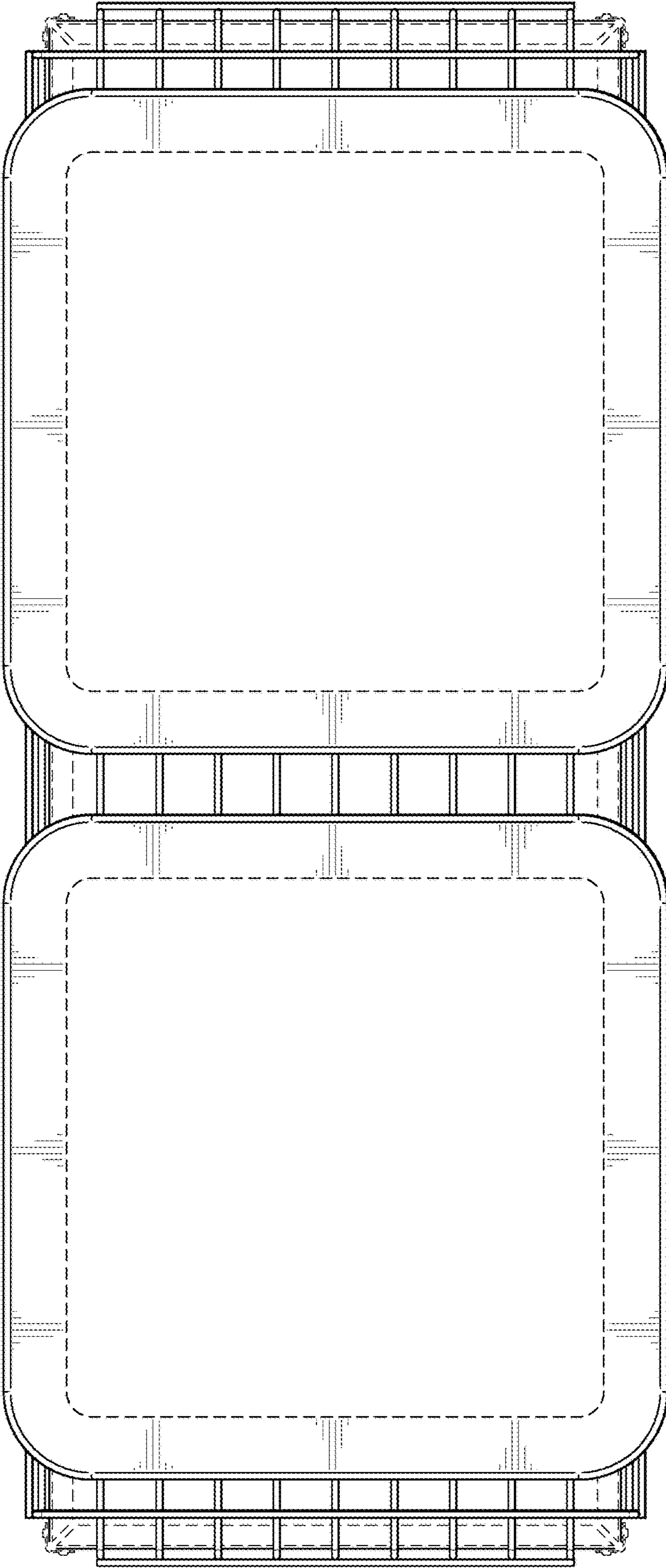


FIG. 11

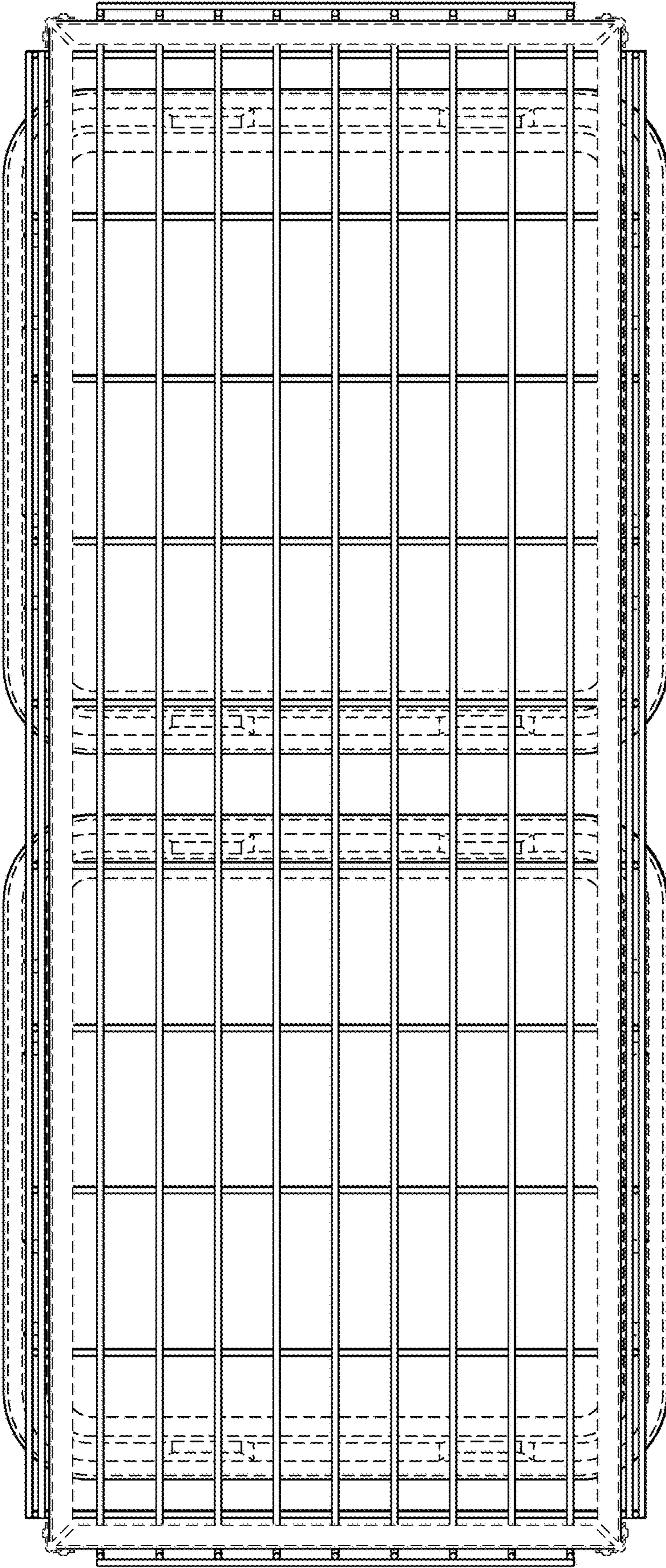


FIG. 12