



US00D878121S

(12) **United States Design Patent**  
**Blevins et al.**

(10) **Patent No.:** **US D878,121 S**  
(45) **Date of Patent:** **\*\* Mar. 17, 2020**

- (54) **DEVICE FOR HOLDING PORTABLE ELECTRONICS**
- (71) Applicant: **NBRYTE, LLC**, Carson, CA (US)
- (72) Inventors: **Conrad Scott Blevins**, Carson, CA (US); **Greg Thüne**, Los Angeles, CA (US)
- (73) Assignee: **NBRYTE, LLC**, Carson, CA (US)
- (\*\*) Term: **15 Years**
- (21) Appl. No.: **29/668,683**
- (22) Filed: **Nov. 1, 2018**
- (51) **LOC (12) Cl.** ..... **06-06**
- (52) **U.S. Cl.**  
USPC ..... **D6/682.2**
- (58) **Field of Classification Search**  
USPC ..... D6/406.3, 406.4, 406.5, 406.6, 675, 680, D6/682, 682.1, 682.2; D14/447, 432, D14/434, 439-440, 451, 452, 457, 239; D8/363, 373, 380  
CPC ..... A47B 21/04; A47B 2097/006; A47B 2097/005; A47B 2023/049; A45C 2011/002; A45C 2011/003  
See application file for complete search history.

- D440,256 S \* 4/2001 Wang ..... D20/10
- D454,013 S \* 3/2002 Wang ..... D6/682.2
- D506,833 S \* 6/2005 Wescott, III ..... B01L 9/06  
D24/230
- D562,591 S \* 2/2008 Raile ..... D6/682.2
- D566,423 S \* 4/2008 Raile ..... D6/682.2
- D597,370 S \* 8/2009 Watkins ..... D7/354
- D621,639 S \* 8/2010 Merrick ..... D6/682.2
- D785,428 S \* 5/2017 Friesen ..... D8/71
- D857,698 S \* 8/2019 Hu ..... D14/447

\* cited by examiner

*Primary Examiner* — Kelley A Donnelly

(74) *Attorney, Agent, or Firm* — Hodgson Russ LLP

(57) **CLAIM**

The ornamental design for a device for holding portable electronics, as shown and described.

**DESCRIPTION**

FIG. 1 is a front perspective view of a device for holding portable electronics, showing our new design;  
 FIG. 2 is a front elevation view thereof;  
 FIG. 3 is a rear elevation view thereof;  
 FIG. 4 is a left side elevation view thereof  
 FIG. 5 is a right side elevation view thereof;  
 FIG. 6 a top plan view thereof;  
 FIG. 7 is a bottom plan view thereof; and,  
 FIG. 8 is a rear perspective view thereof, showing the device for holding portable electronics holding an exemplary laptop computer in a tilted position.  
 The broken lines illustrate environmental features that form no part of the claimed design.

**1 Claim, 8 Drawing Sheets**

(56) **References Cited**

U.S. PATENT DOCUMENTS

- D188,522 S \* 8/1960 Preda ..... D6/674
- D360,321 S \* 7/1995 Wang ..... D6/682.2



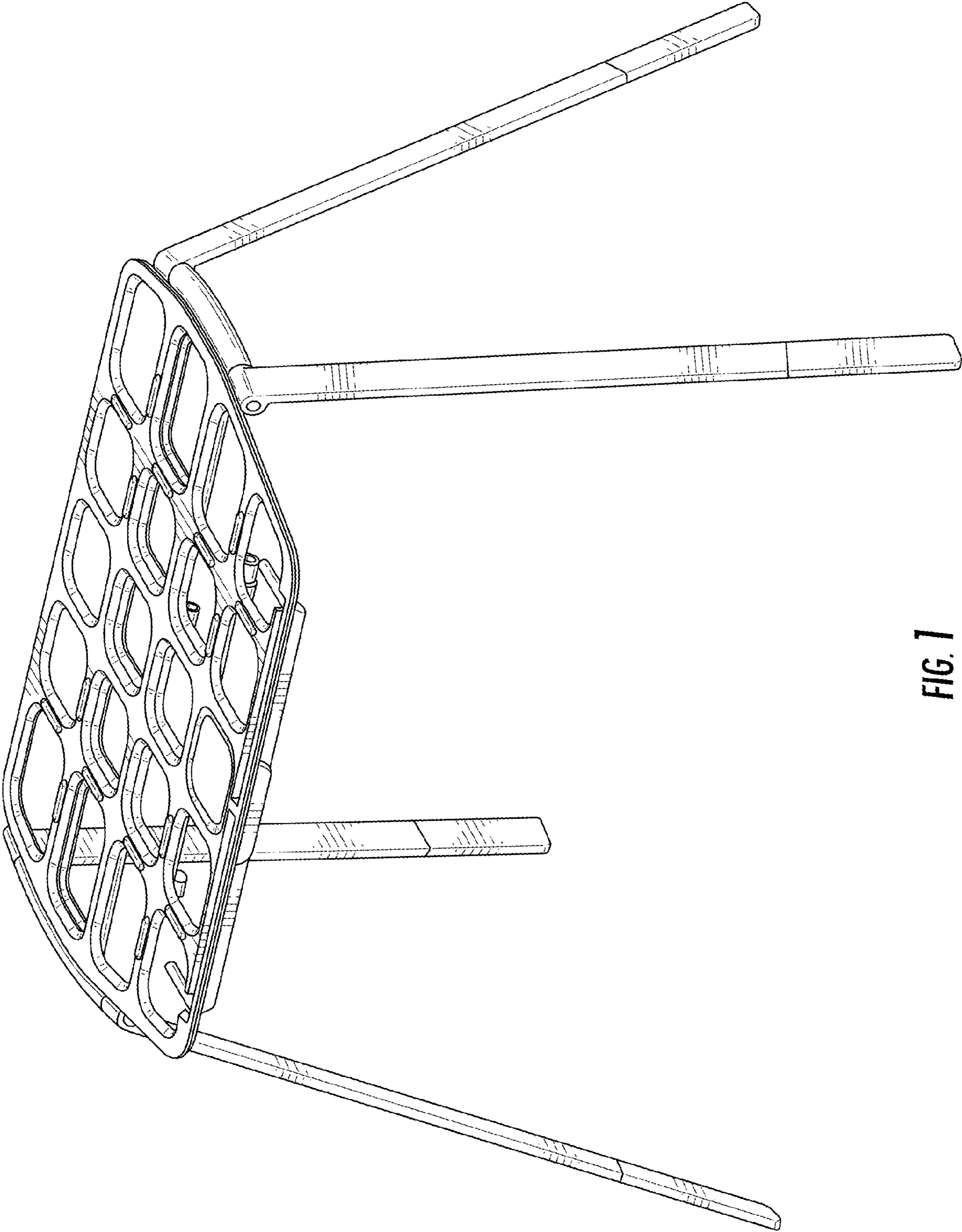


FIG. 1

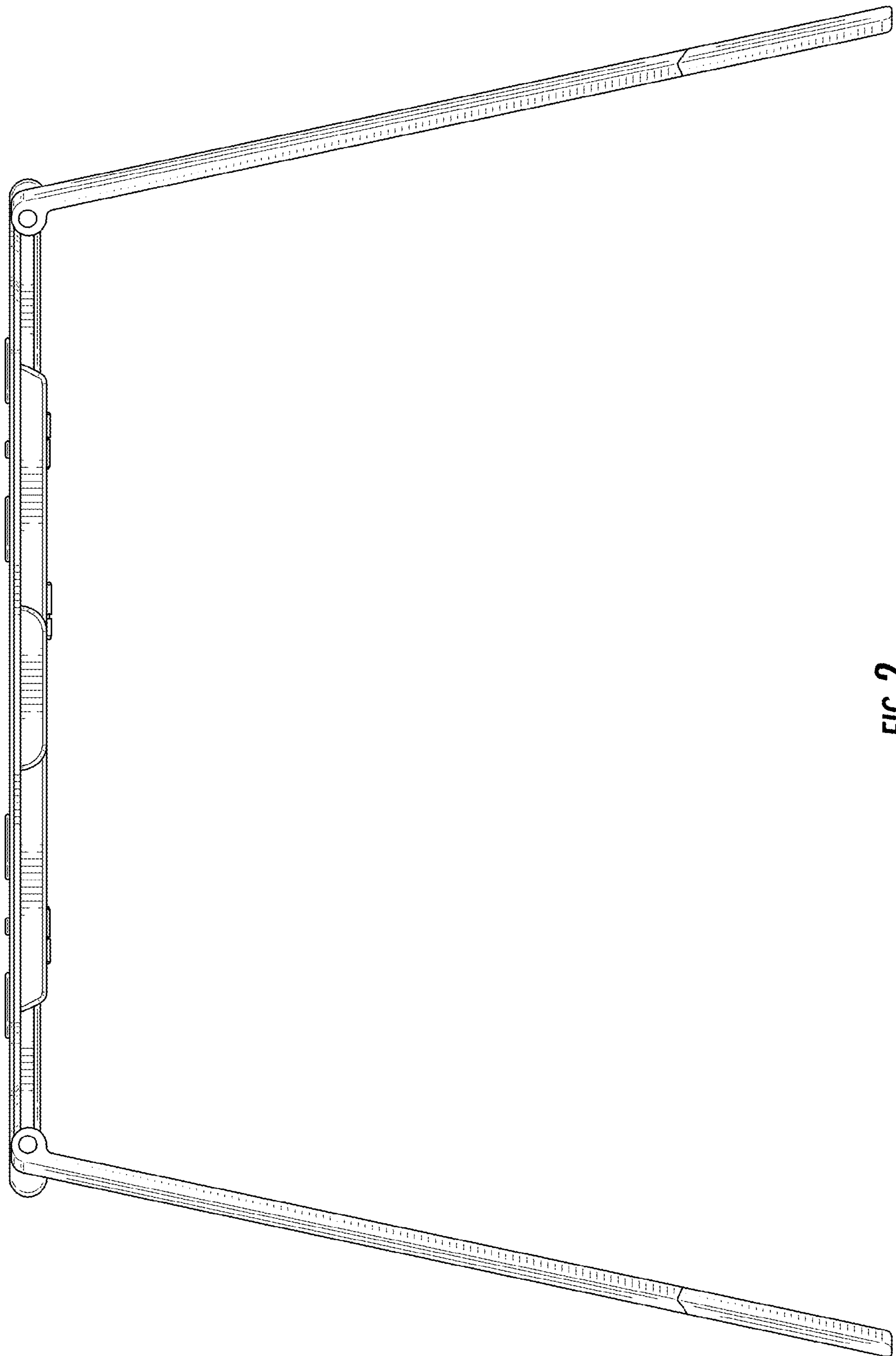


FIG. 2



FIG. 3

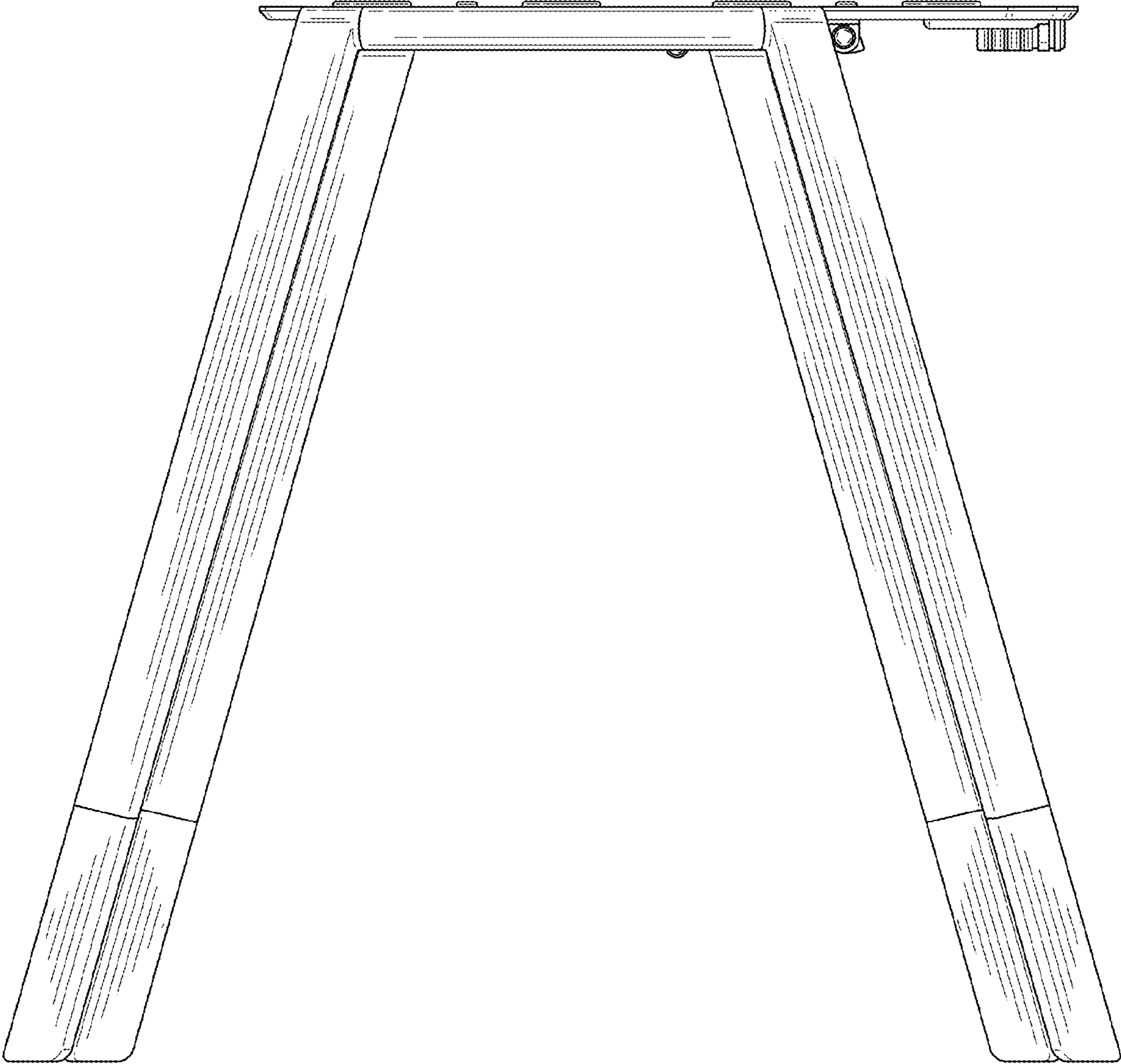


FIG. 4

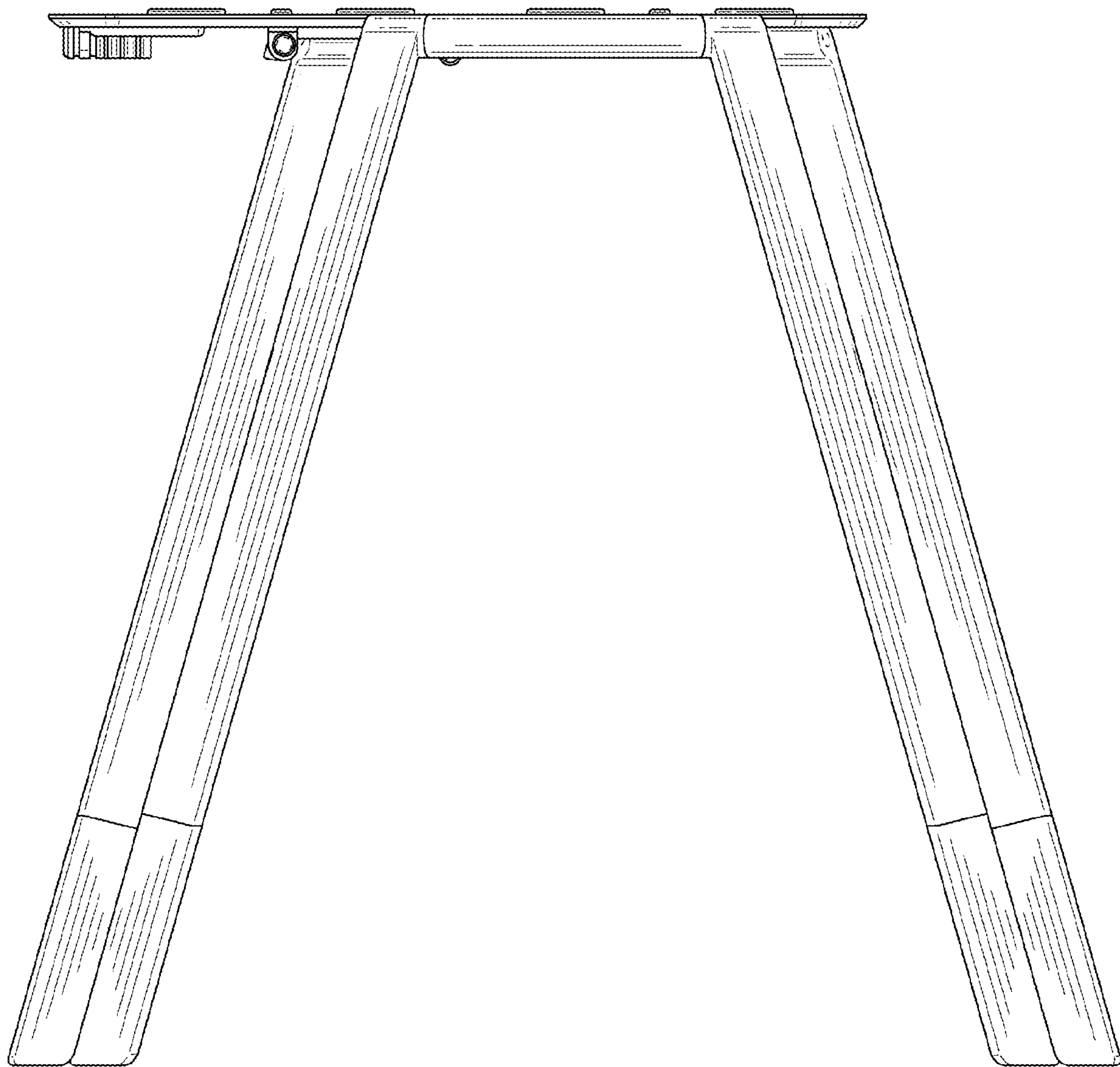


FIG. 5

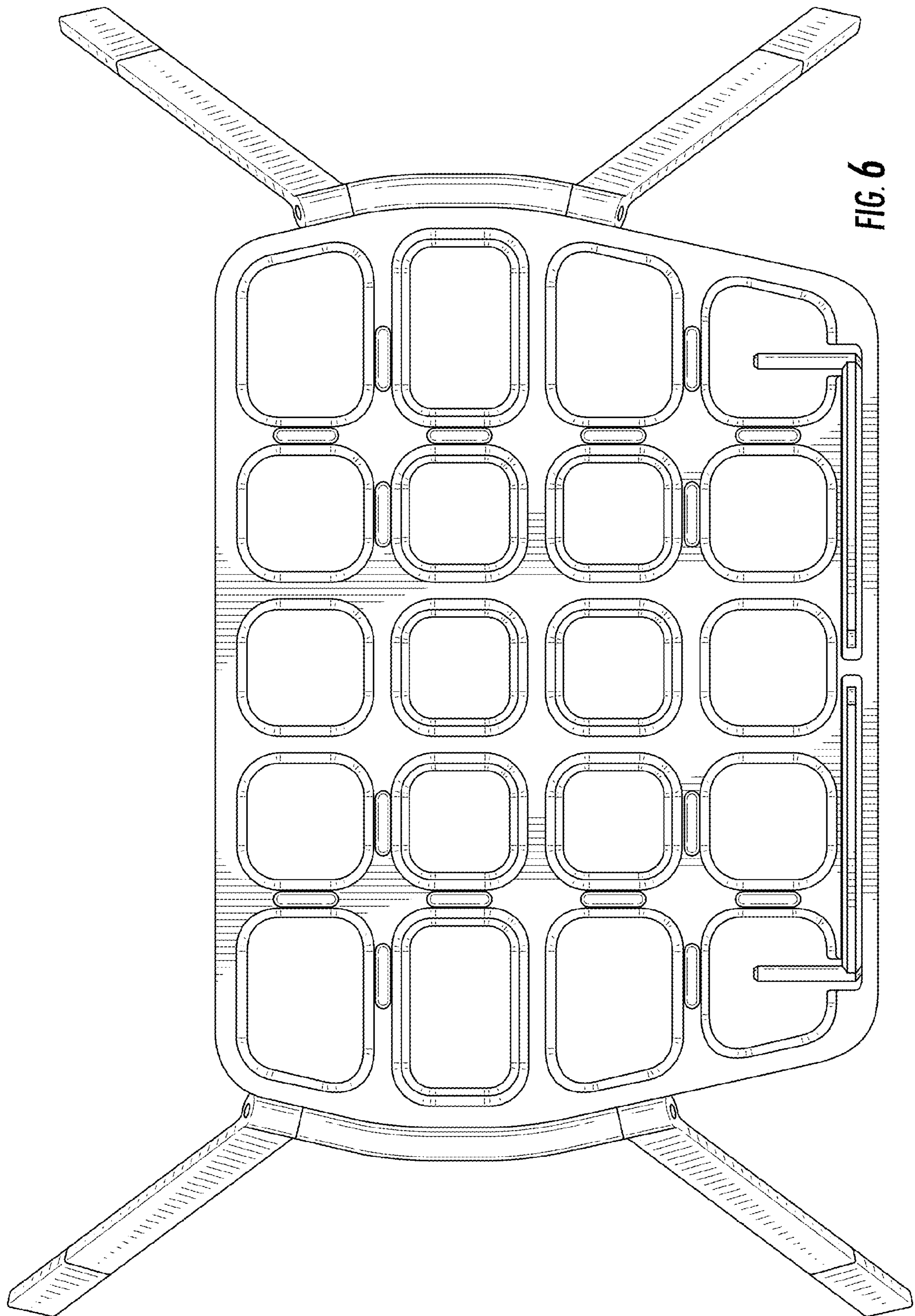


FIG. 6

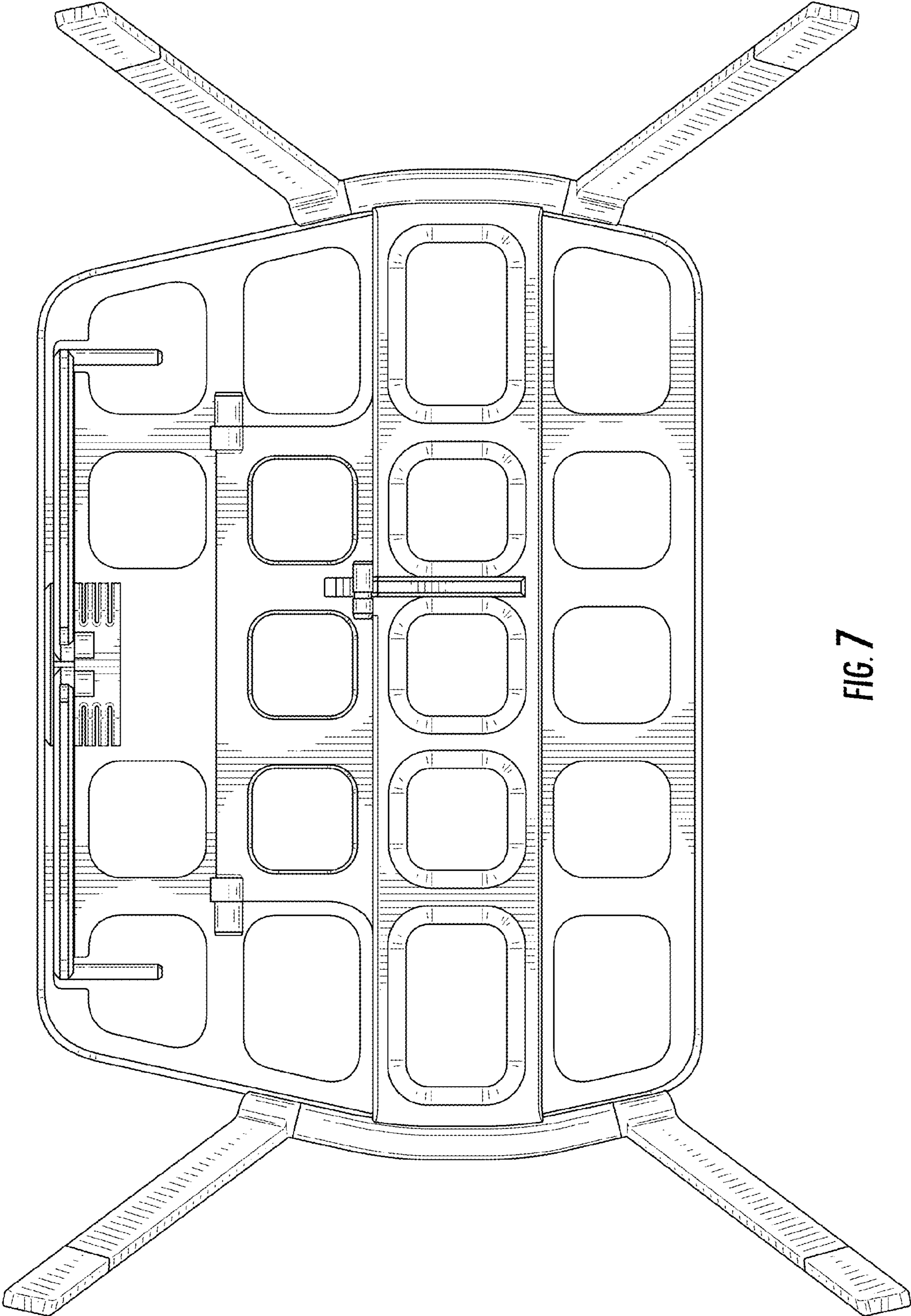


FIG. 7





FIG. 8