



US00D878120S

(12) **United States Design Patent**
Smith et al.

(10) **Patent No.:** **US D878,120 S**
(45) **Date of Patent:** **** Mar. 17, 2020**

(54) **DISPLAY STAND**

(71) Applicants: **William Thomas Smith**, Fair Oaks, CA (US); **Cheryl Ann Smith**, Fair Oaks, CA (US)

(72) Inventors: **William Thomas Smith**, Fair Oaks, CA (US); **Cheryl Ann Smith**, Fair Oaks, CA (US)

(73) Assignee: **All Plastic Inc.**, Gold River, CA (US)

(**) Term: **15 Years**

(21) Appl. No.: **29/668,887**

(22) Filed: **Nov. 2, 2018**

(51) **LOC (12) Cl.** **06-06**

(52) **U.S. Cl.**
USPC **D6/682.1**

(58) **Field of Classification Search**
USPC D6/672, 678, 678.2, 682, 682.1, 682.2, D6/682.3, 683.4; D3/304-305, 313-316
(Continued)

(56) **References Cited**

U.S. PATENT DOCUMENTS

2,881,008 A * 4/1959 Goldman A47B 23/043
281/33
2,982,568 A * 5/1961 Wolfe A47F 7/163
248/441.1

(Continued)

Primary Examiner — Kelley A Donnelly

(74) *Attorney, Agent, or Firm* — Ballard Spahr LLP

(57) **CLAIM**

We claim the ornamental design for a display stand, as shown and described.

DESCRIPTION

FIG. 1 is a perspective view of our design of a display stand according to our invention;

FIG. 2 is a top plan view from of the display stand shown in FIG. 1;

FIG. 3 is a bottom plan view of the display stand shown in FIG. 1;

FIG. 4 is a left side view of the display stand shown in FIG. 1;

FIG. 5 is a right side view of the display stand shown in FIG. 1;

FIG. 6 is a front view of the display stand shown in FIG. 1;

FIG. 7 is a rear view of the display stand shown in FIG. 1;

FIG. 8 is a perspective view of the display stand shown in FIG. 1;

FIG. 9 is a perspective view of our design of a display stand according to our invention;

FIG. 10 is a top plan view of the display stand shown in FIG. 9;

FIG. 11 is a bottom plan view of the display stand shown in FIG. 9;

FIG. 12 is a left side view of the display stand shown in FIG. 9;

FIG. 13 is a right side view of the display stand shown in FIG. 9;

FIG. 14 is a front view of the display stand shown in FIG. 9;

FIG. 15 is a rear view of the display stand shown in FIG. 9;

FIG. 16 is a perspective view of the display stand shown in FIG. 9;

FIG. 17 is a perspective view of our design of a display stand according to our invention;

FIG. 18 is a top plan view of the display stand shown in FIG. 17;

FIG. 19 is a bottom plan view of the display stand shown in FIG. 17;

FIG. 20 is a left side view of the display stand shown in FIG. 17;

FIG. 21 is a right side view of the display stand shown in FIG. 17;

FIG. 22 is a front view of the display stand shown in FIG. 17;

FIG. 23 is a rear view of a display stand shown in FIG. 17;

FIG. 24 is a perspective view of the display stand shown in FIG. 17;

FIG. 25 is a perspective view of our design of a display stand according to our invention;

(Continued)

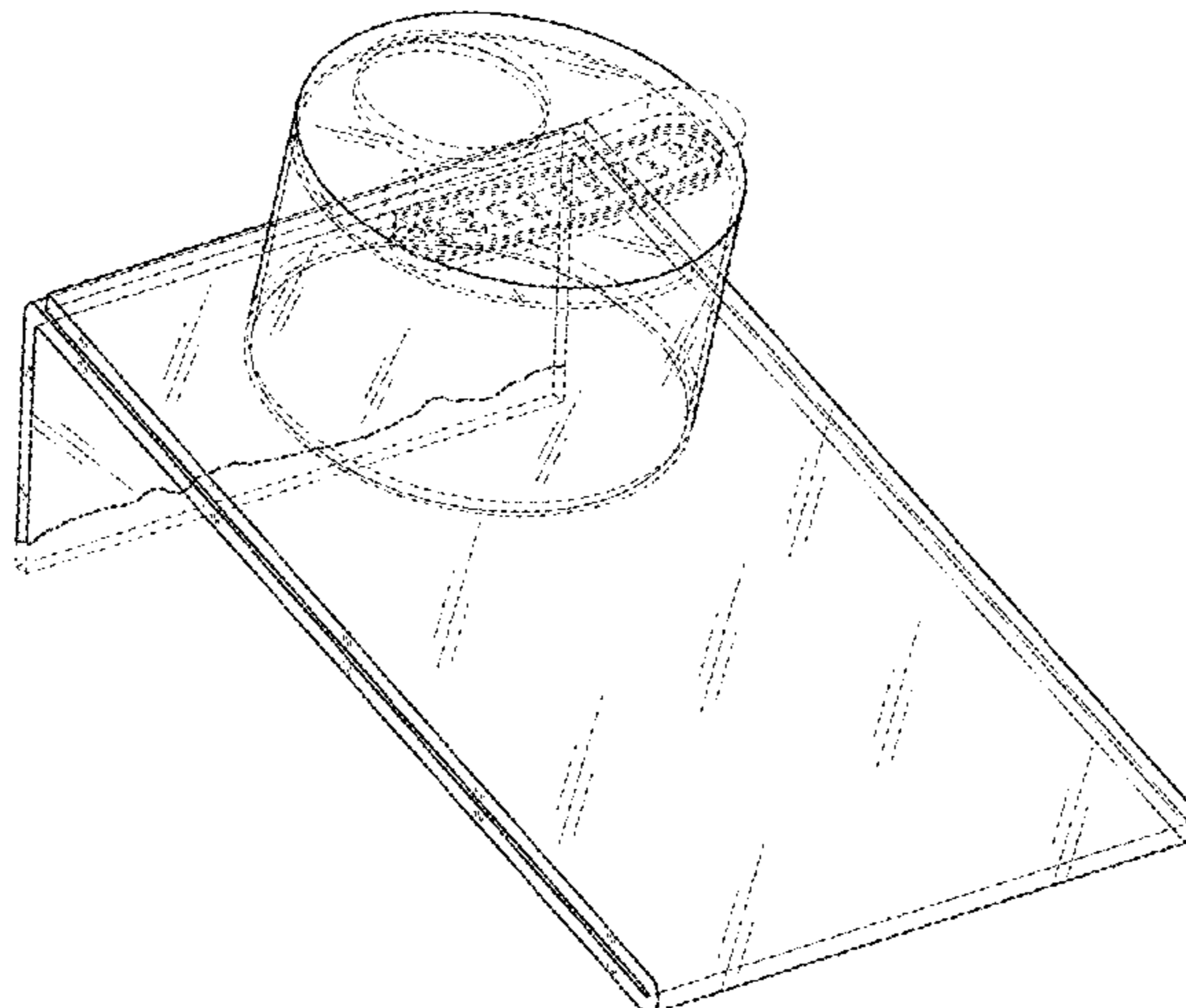


FIG. 26 is a top plan view of the display stand shown in FIG. 25;
 FIG. 27 is a bottom plan view of the display stand shown in FIG. 25;
 FIG. 28 is a left side view of the display stand shown in FIG. 25;
 FIG. 29 is a right side view of the display stand shown in FIG. 25;
 FIG. 30 is a front view of the display stand shown in FIG. 25;
 FIG. 31 is a rear view of a display stand shown in FIG. 25;
 and,
 FIG. 32 is a perspective view of the display stand shown in FIG. 25.

The broken lines depict portions of the display stand that form no part of the claimed design. The long-short-long broken lines define bounds of the display stand that form no part of the claimed design.

1 Claim, 32 Drawing Sheets

(58) **Field of Classification Search**

CPC A47B 73/00; A47B 81/006; A47F 5/0018;
 A47F 5/16; A47F 7/28; A47F 7/283
 See application file for complete search history.

(56)

References Cited

U.S. PATENT DOCUMENTS

5,248,870	A	*	9/1993	Redal	H05B 3/009 211/74
D354,520	S	*	1/1995	Pong	
D368,184	S	*	3/1996	Eley	D6/406.4
D393,104	S	*	3/1998	Wolff	D28/73
D437,711	S	*	2/2001	Berg	D28/73
D444,304	S	*	7/2001	Polonsky	D19/91
D444,646	S	*	7/2001	Weisz	D19/90
D468,542	S	*	1/2003	Hennekes	D6/310
D505,841	S	*	6/2005	Fiedeler	D6/525
D526,855	S	*	8/2006	Wolff	D7/612
D534,730	S	*	1/2007	Hardy	D6/312
D550,515	S	*	9/2007	Chiang	D7/629
D670,919	S	*	11/2012	Shamoon	D6/312
D698,641	S	*	2/2014	Theisen	D9/418
D724,597	S	*	3/2015	Akana	D14/447
D756,226	S	*	5/2016	In	D9/504
D758,847	S	*	6/2016	Stuart	D9/428
D769,653	S	*	10/2016	Peltosaari	D6/682.1
D779,478	S	*	2/2017	Justiss	D14/253
D800,735	S	*	10/2017	Akana	D14/451
D812,939	S	*	3/2018	Modlin	D6/677
D820,623	S	*	6/2018	Akana	D6/682.4
D832,698	S	*	11/2018	Uglialoro	D9/432
D837,799	S	*	1/2019	Chan	D14/451
2006/0278665	A1	*	12/2006	Bennett	A45D 33/16 222/480

* cited by examiner

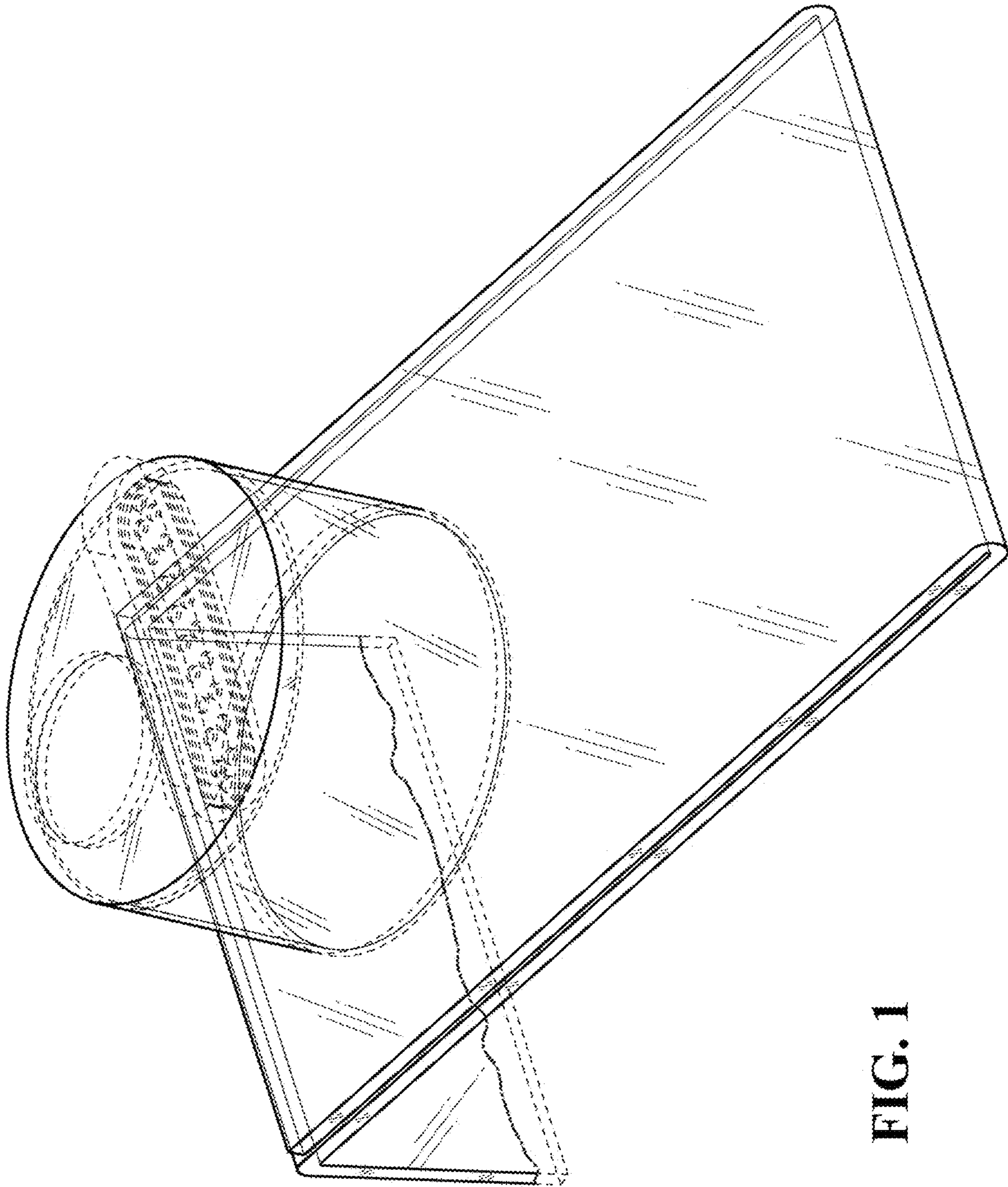


FIG. 1

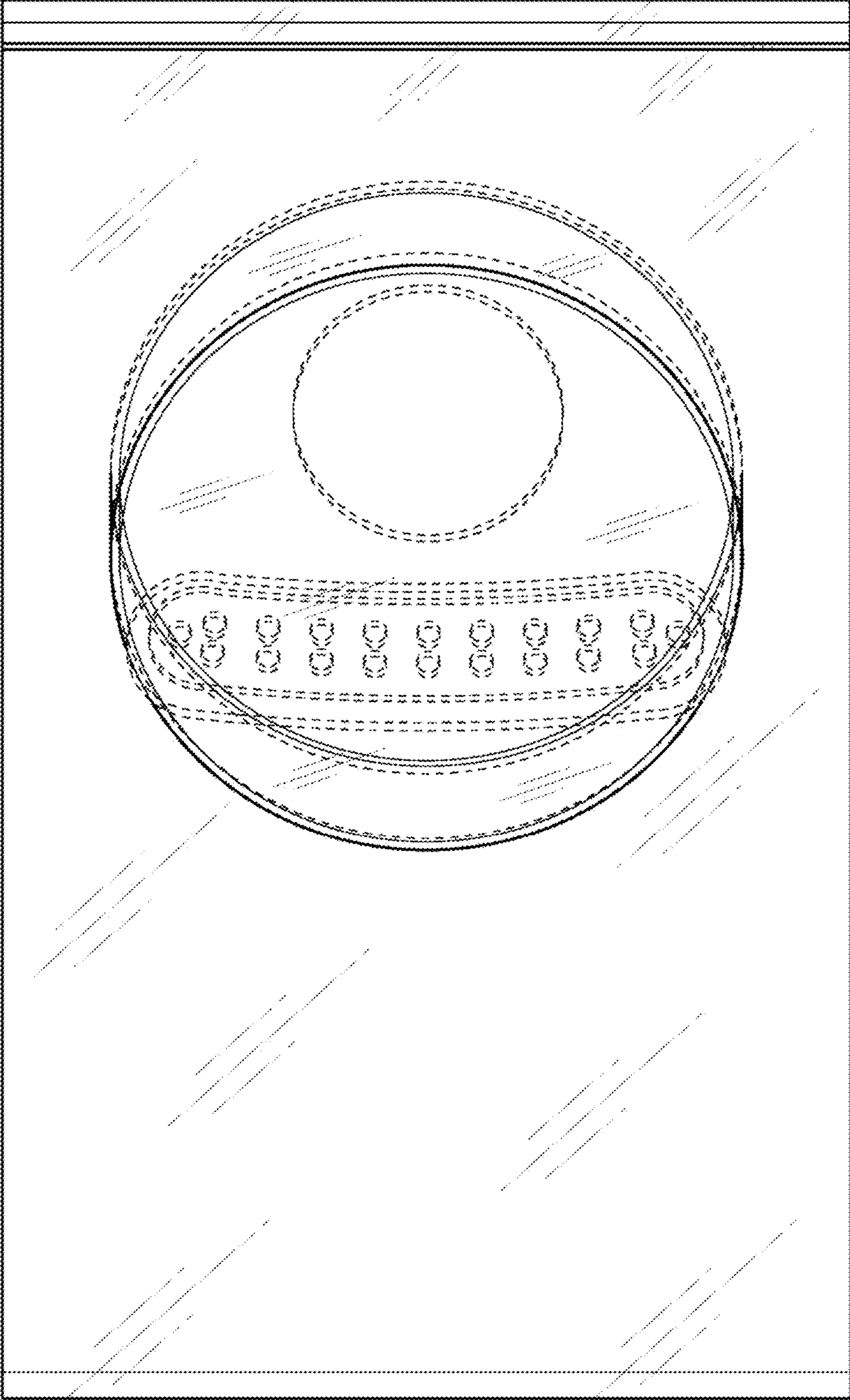


FIG. 2

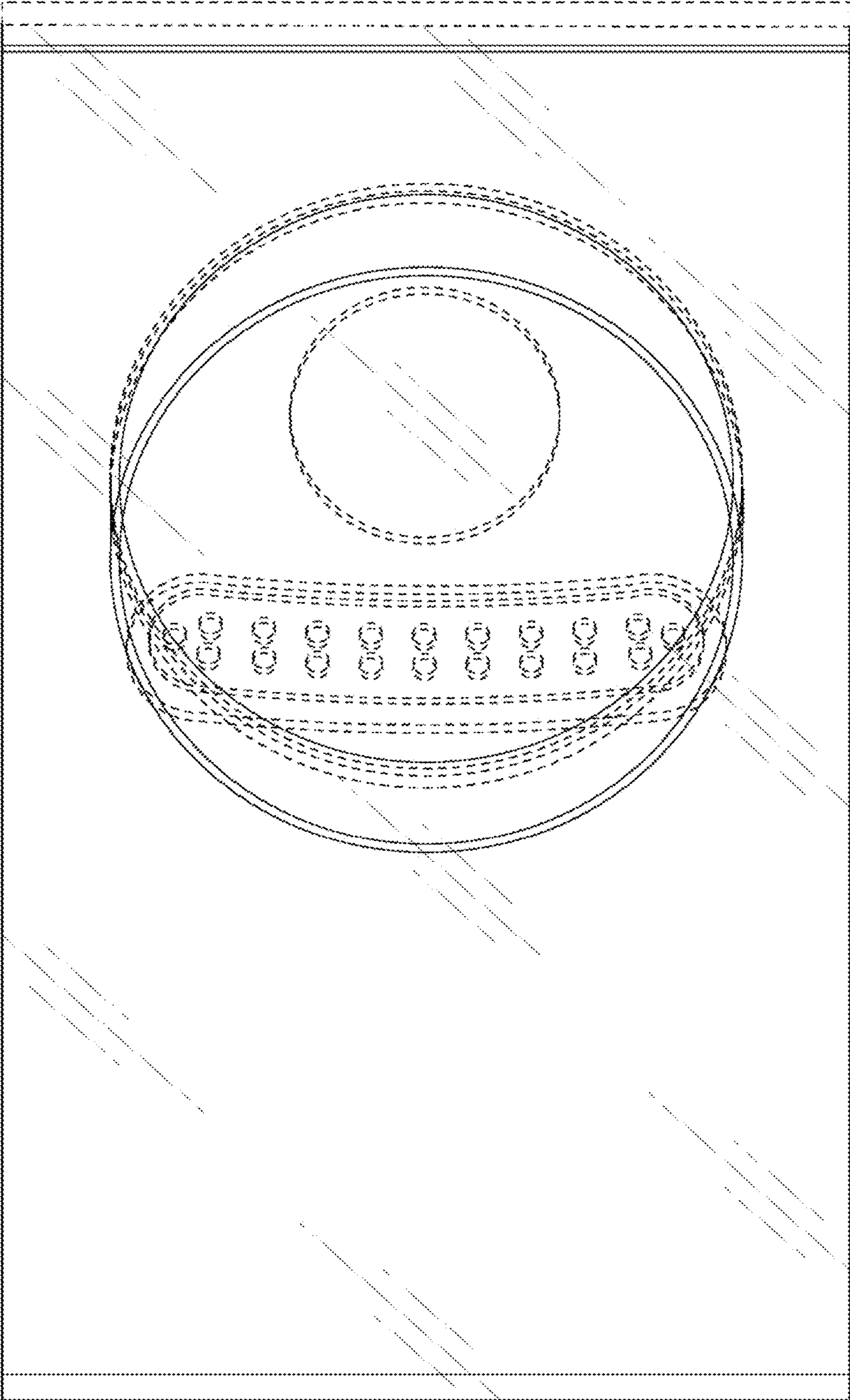


FIG. 3

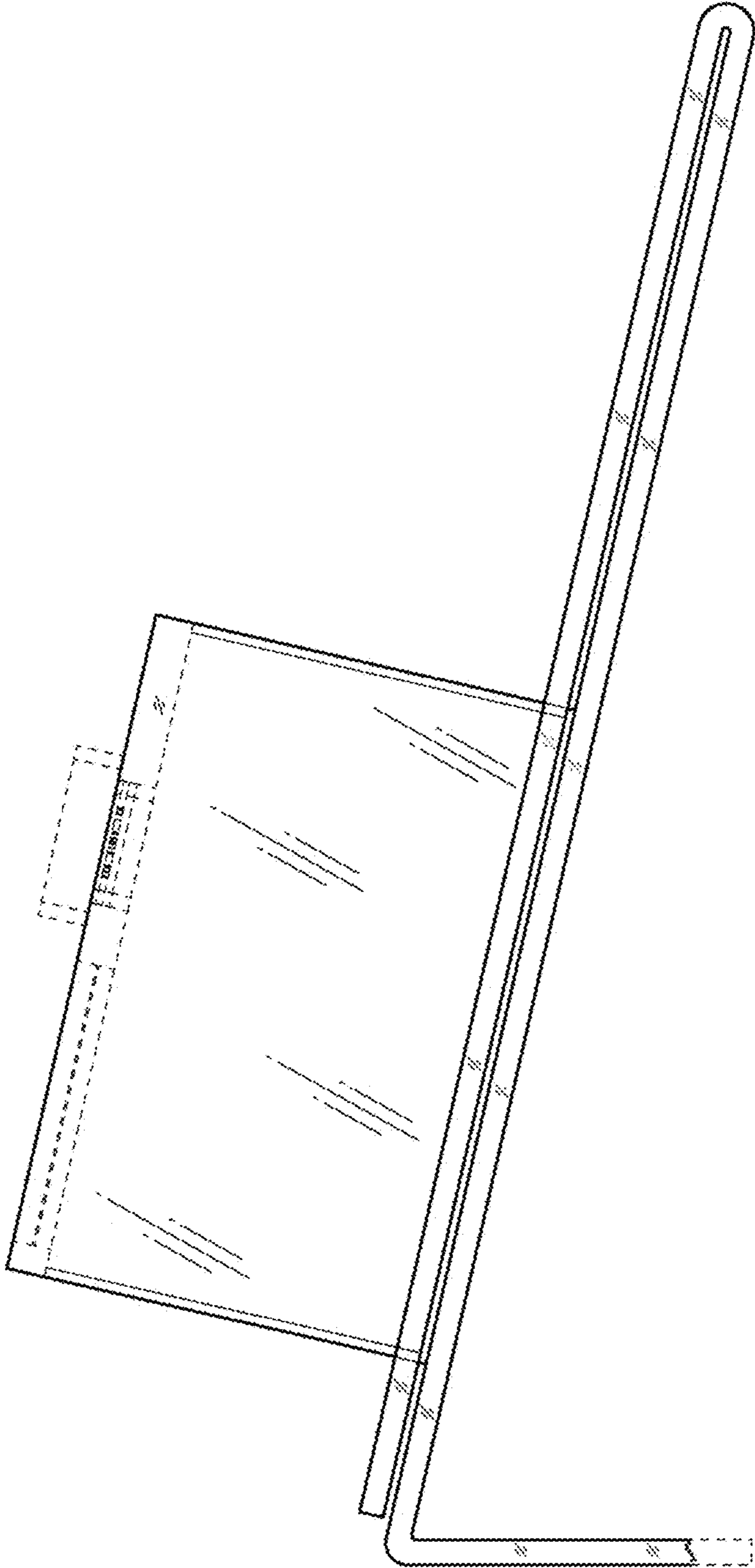


FIG. 4

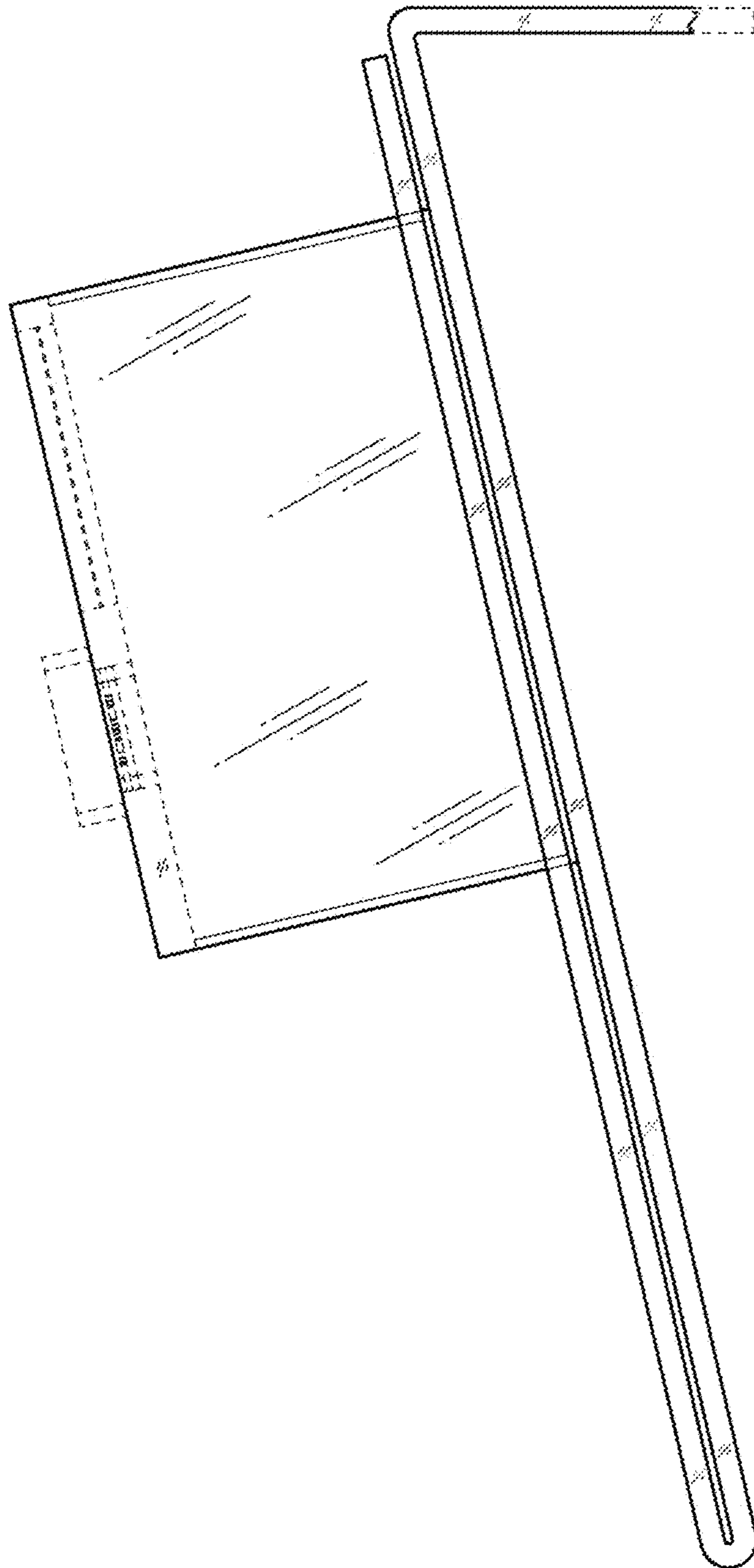


FIG. 5

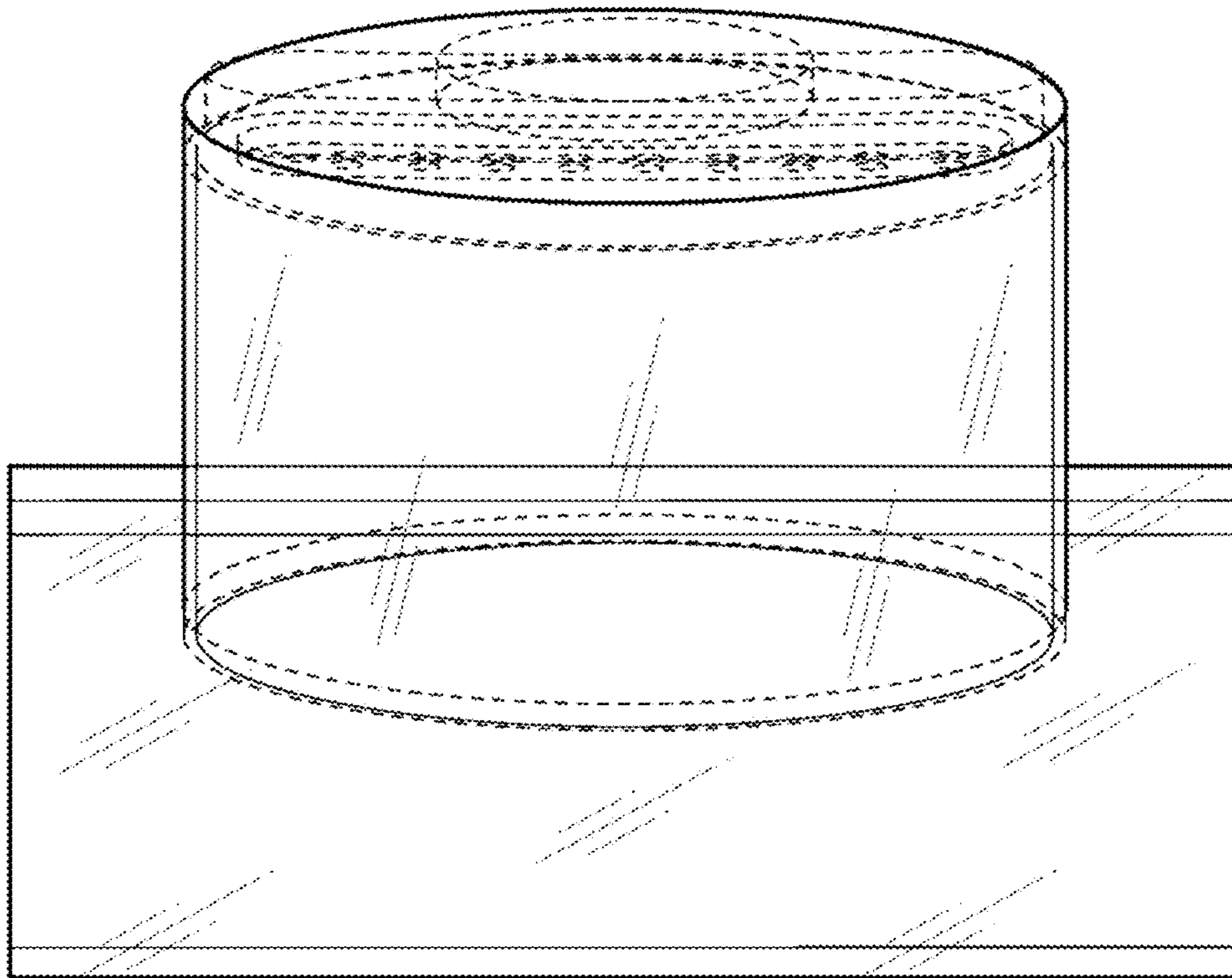


FIG. 6

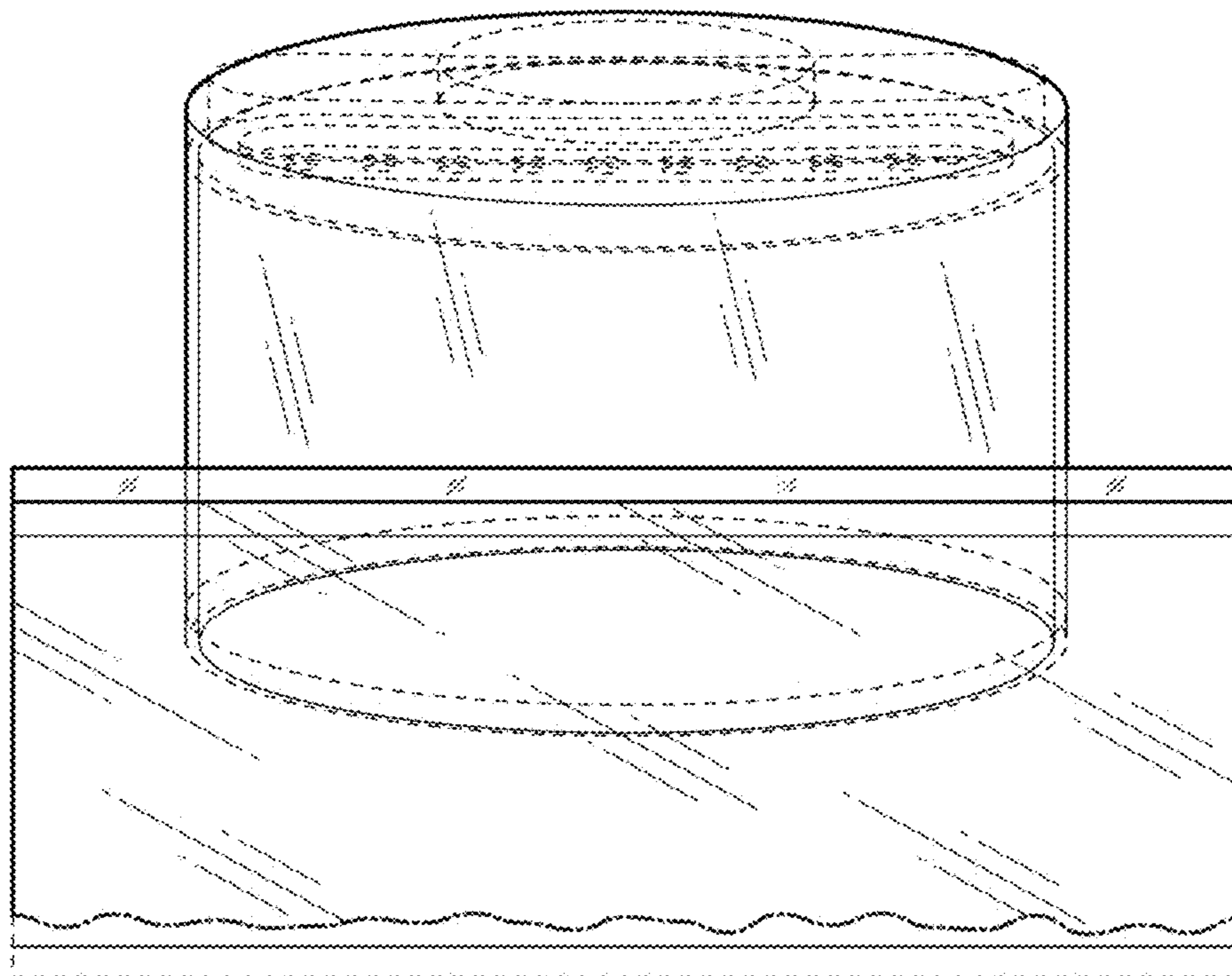


FIG. 7

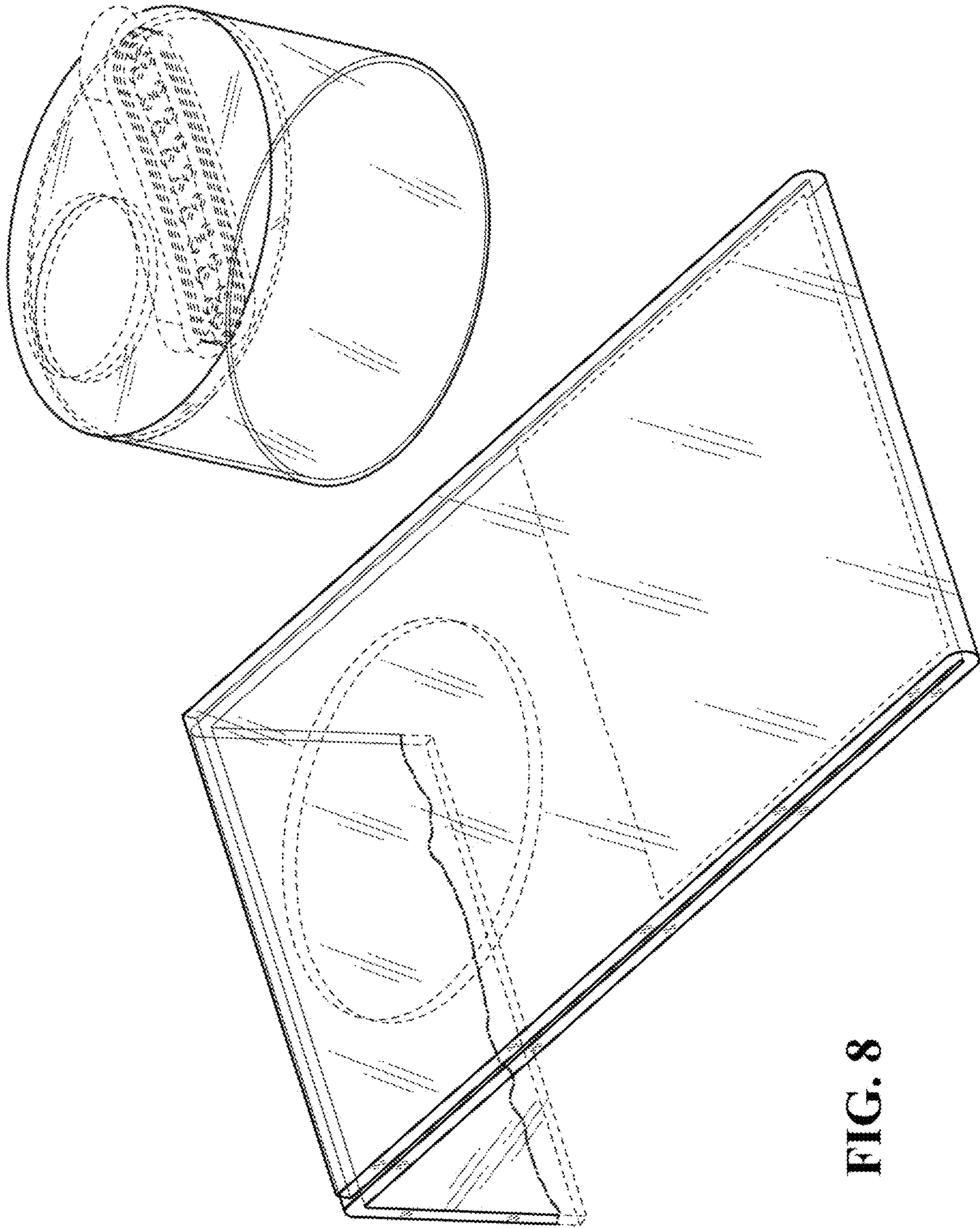


FIG. 8

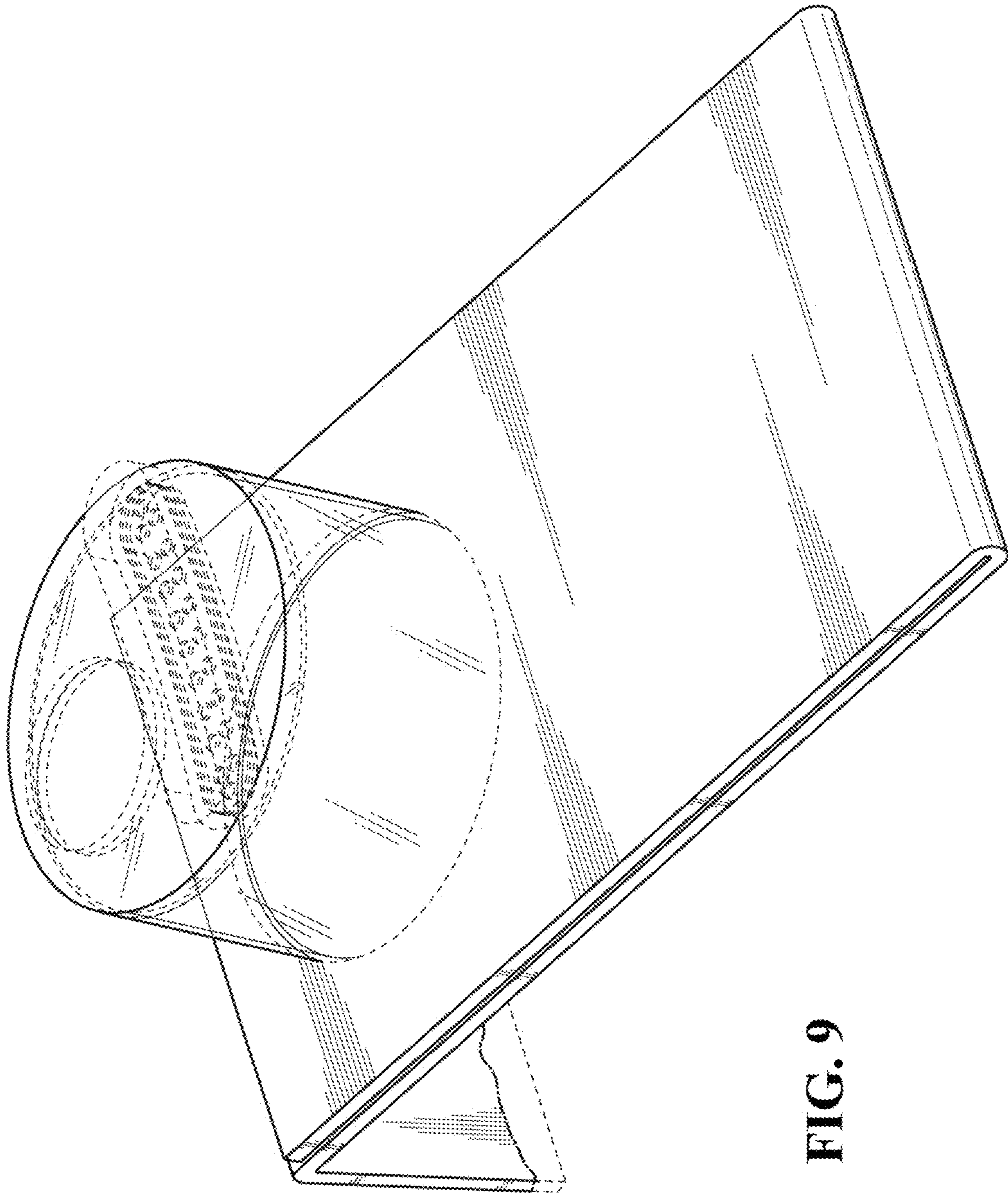


FIG. 9

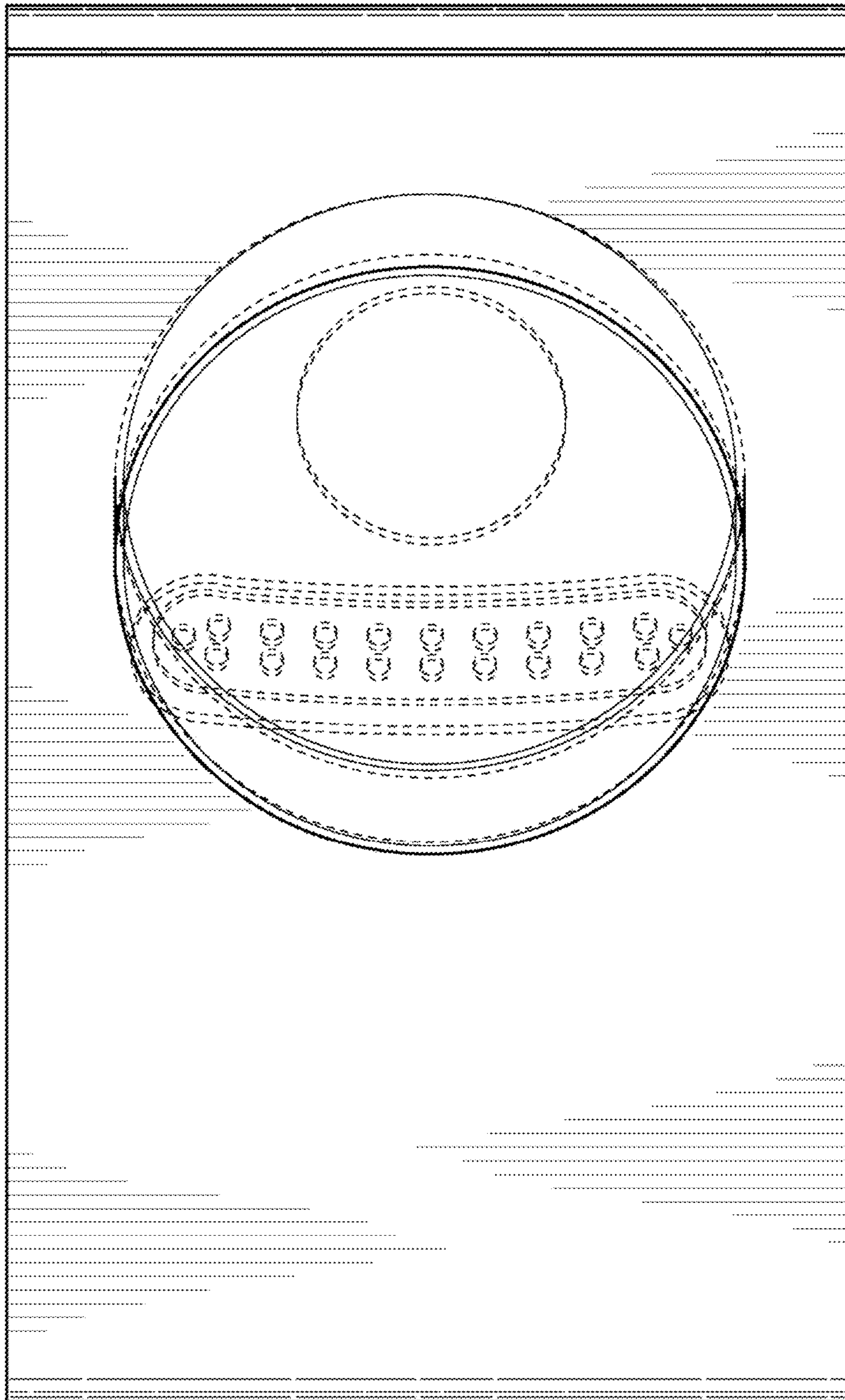


FIG. 10

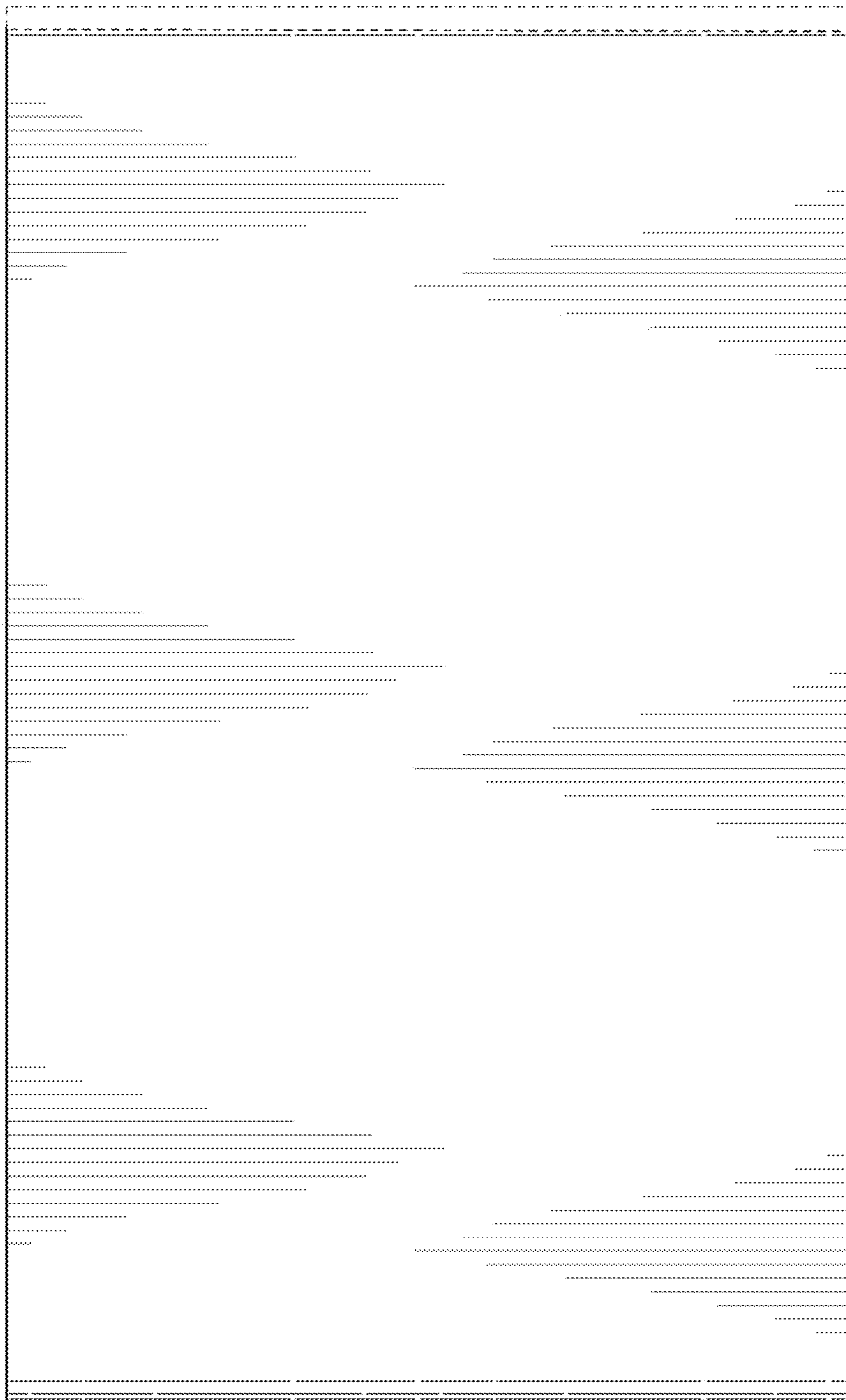


FIG. 11

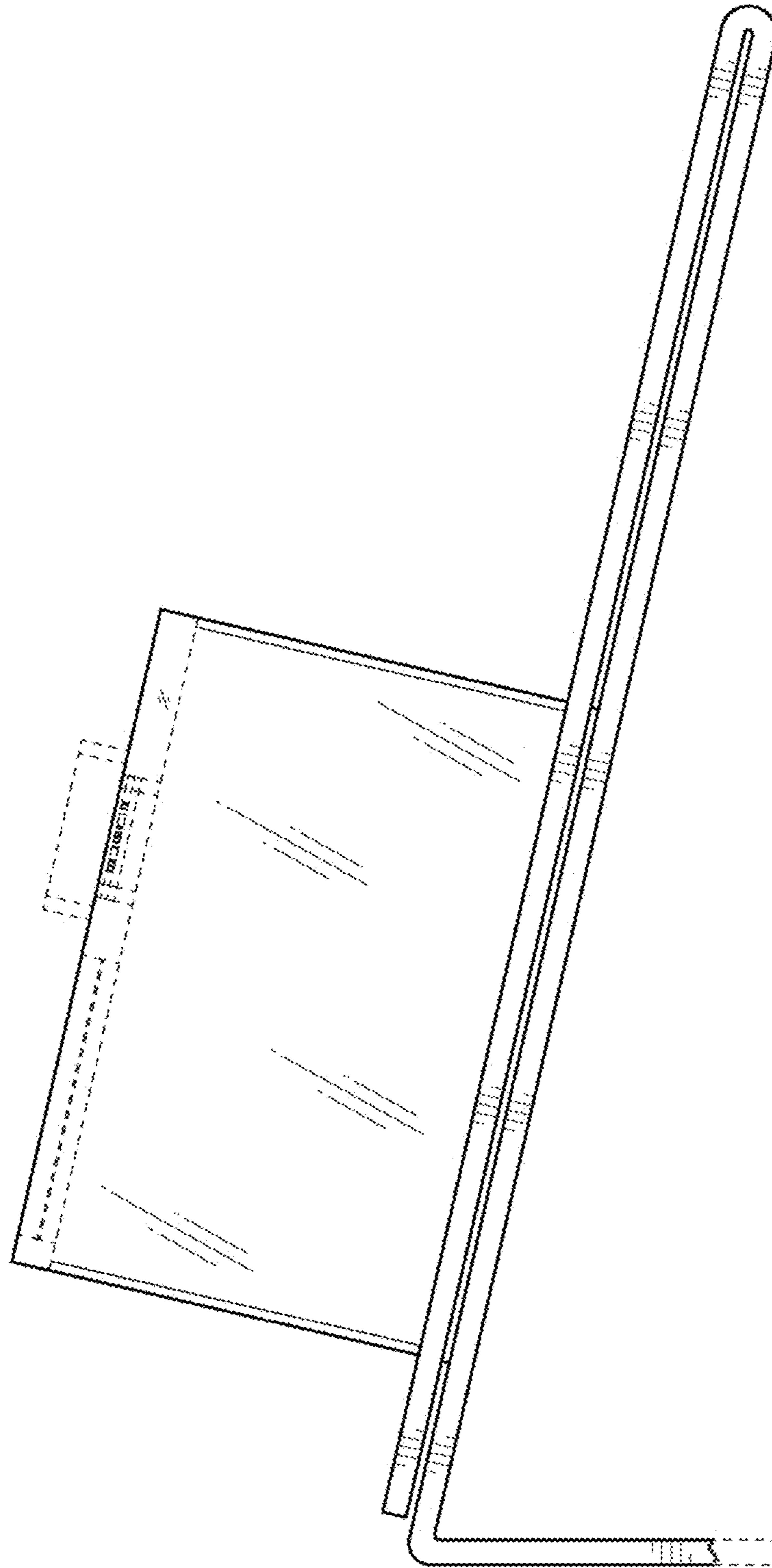


FIG. 12

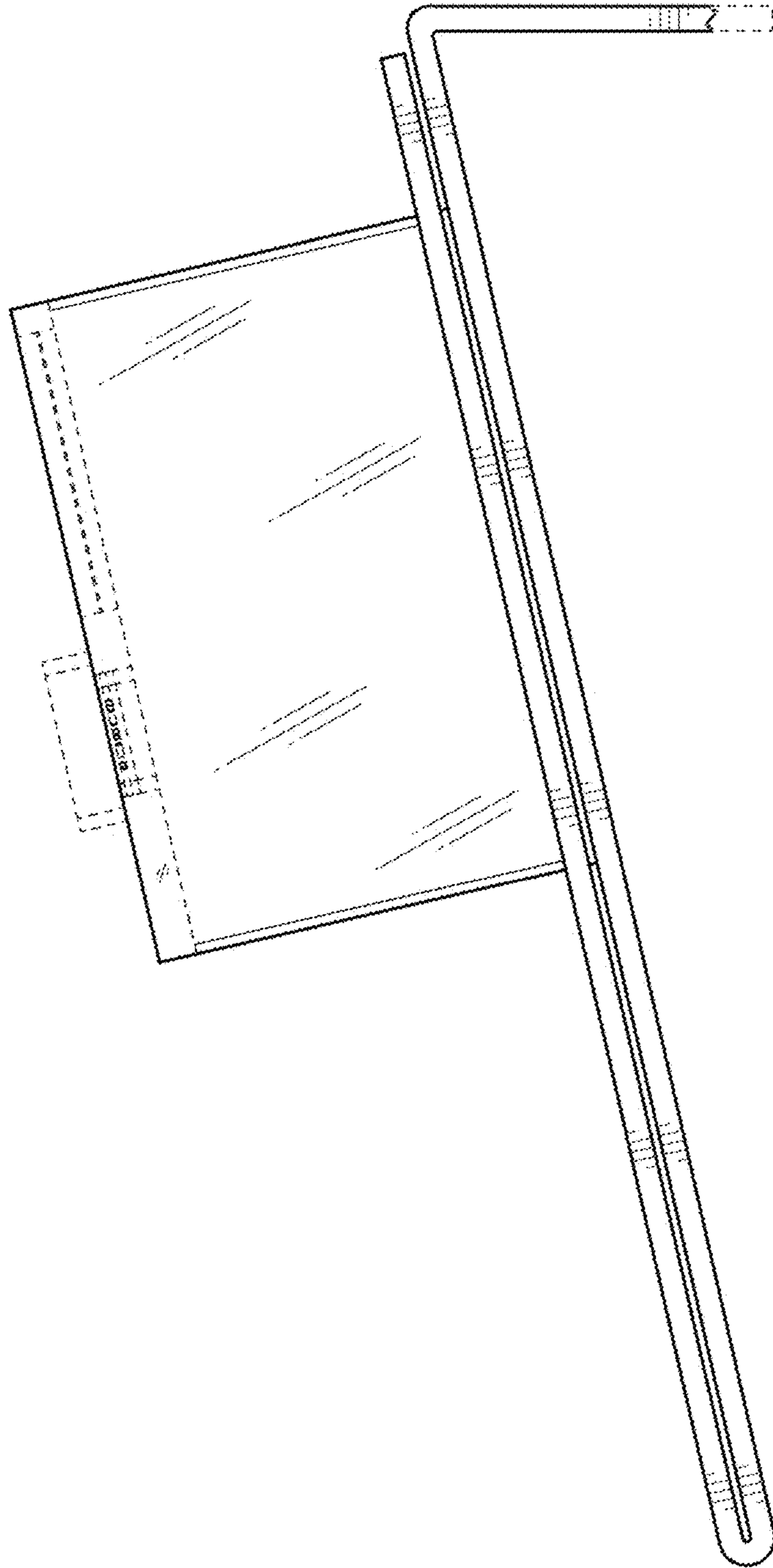


FIG. 13

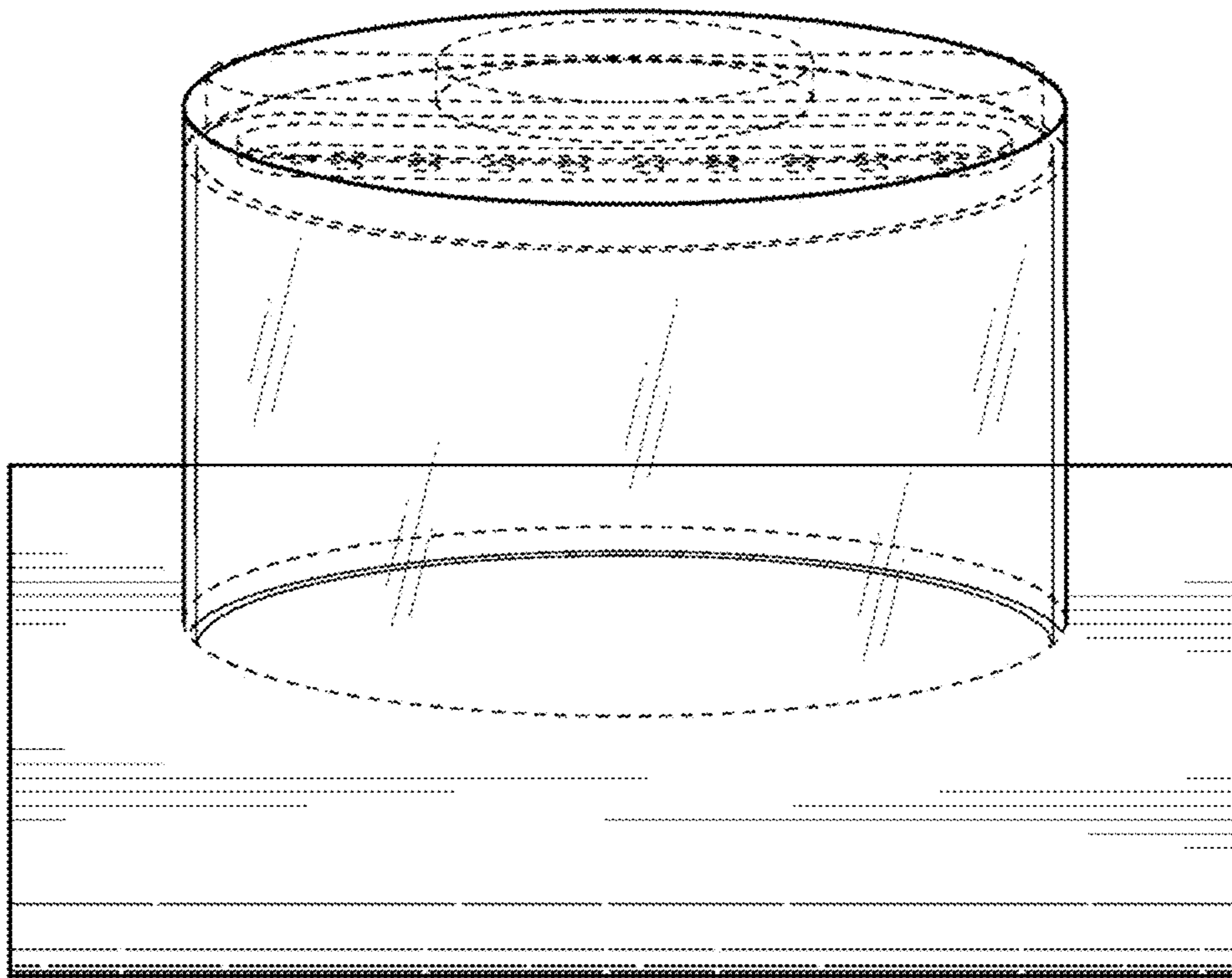


FIG. 14

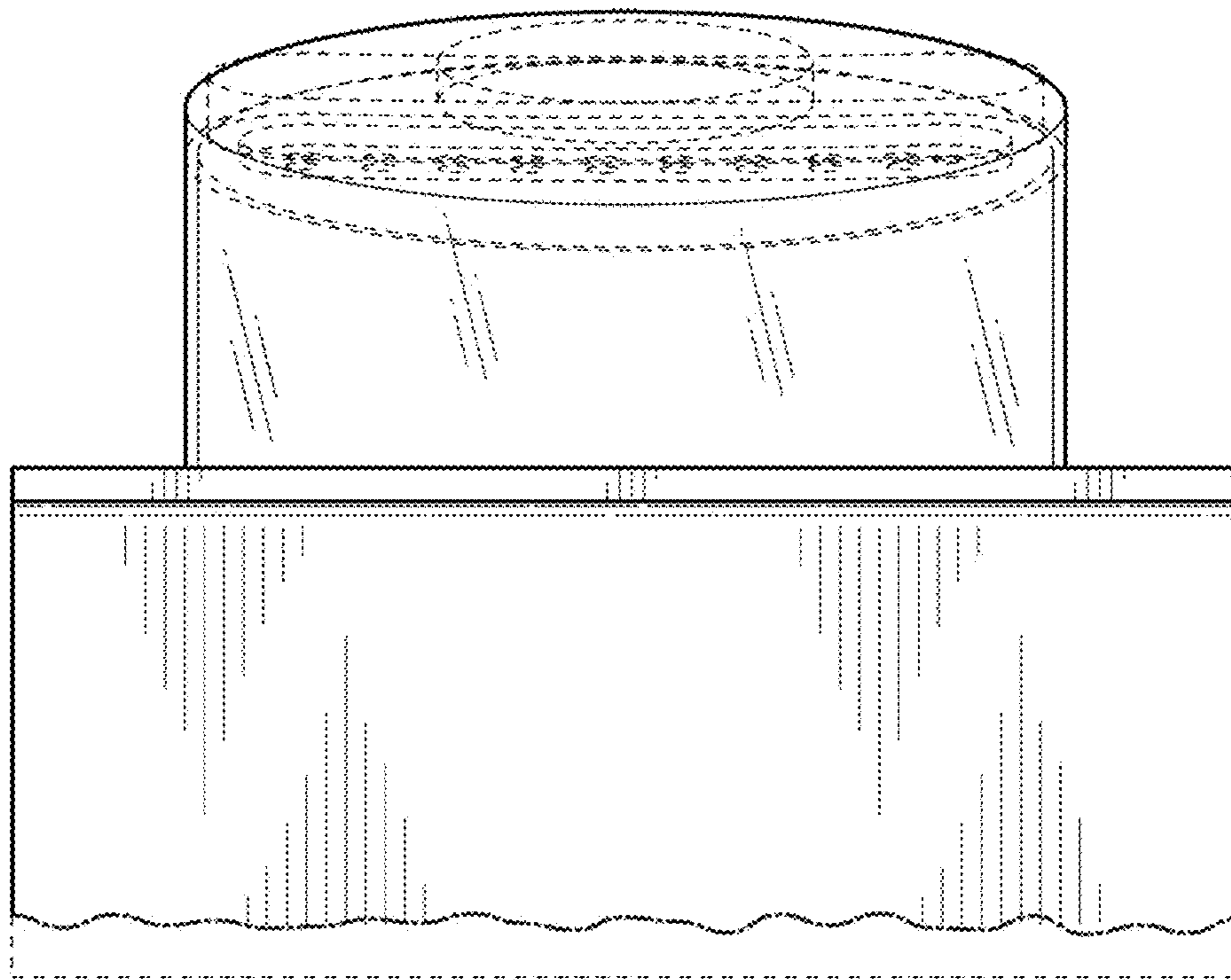


FIG. 15

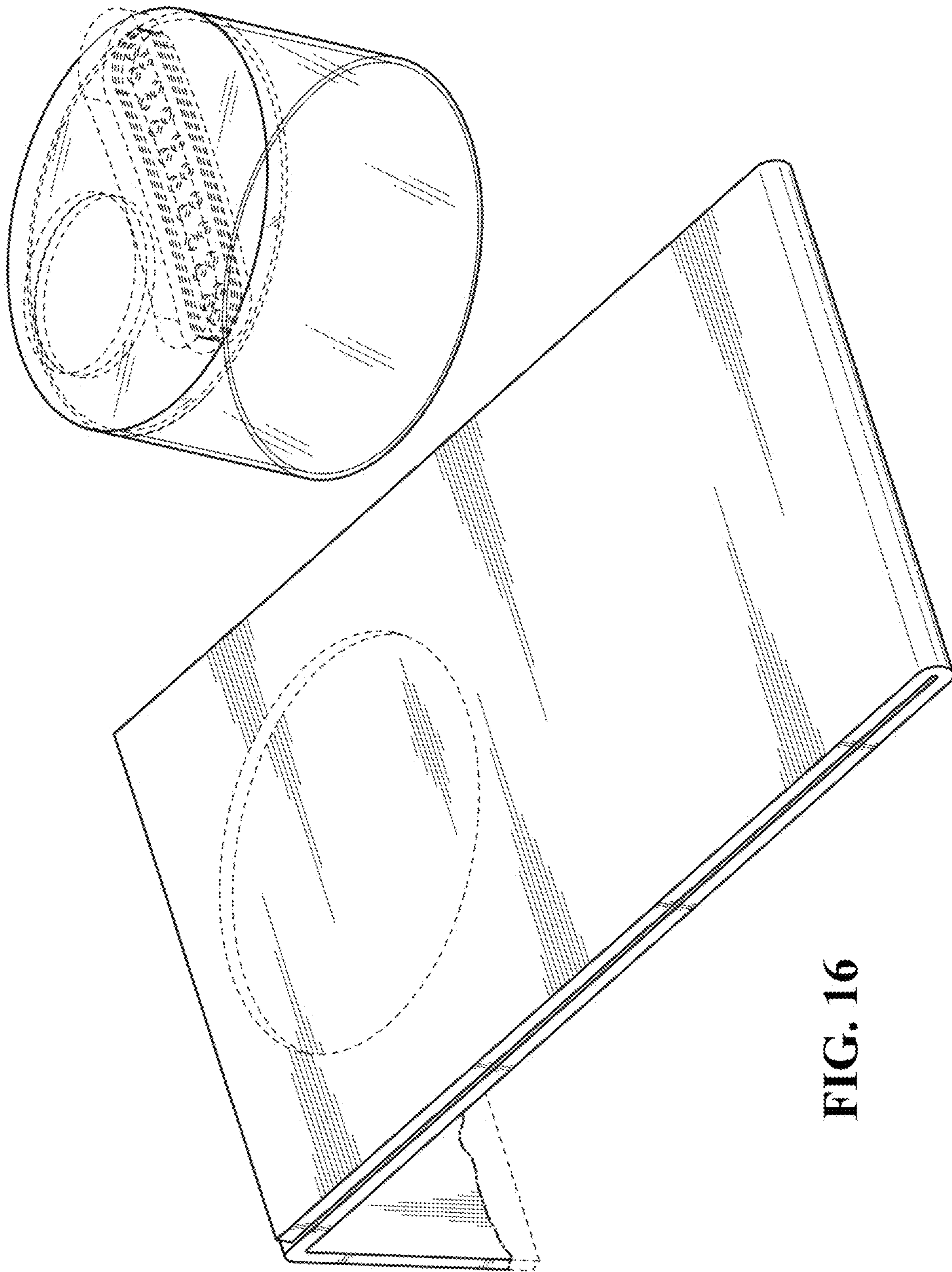


FIG. 16

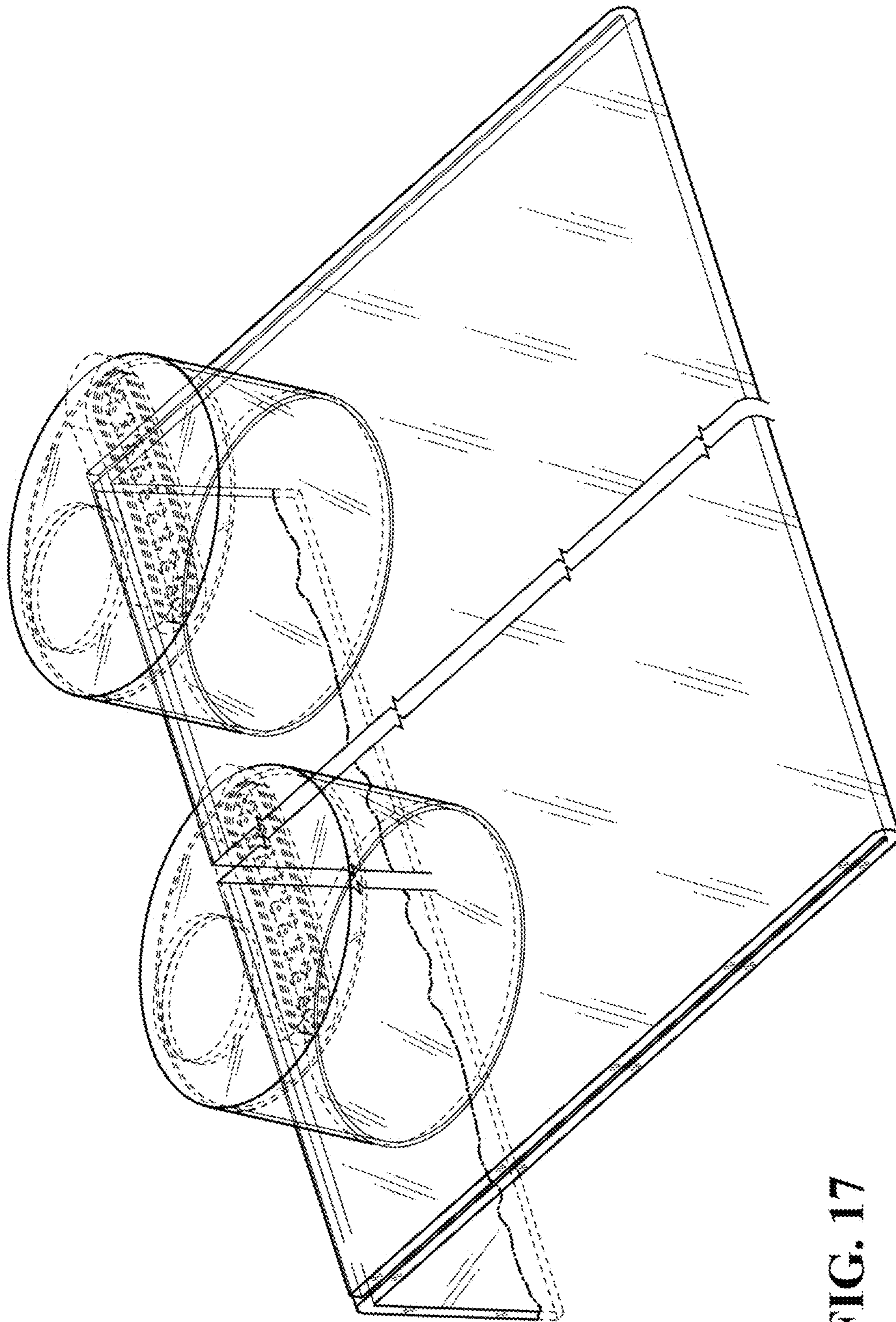


FIG. 17

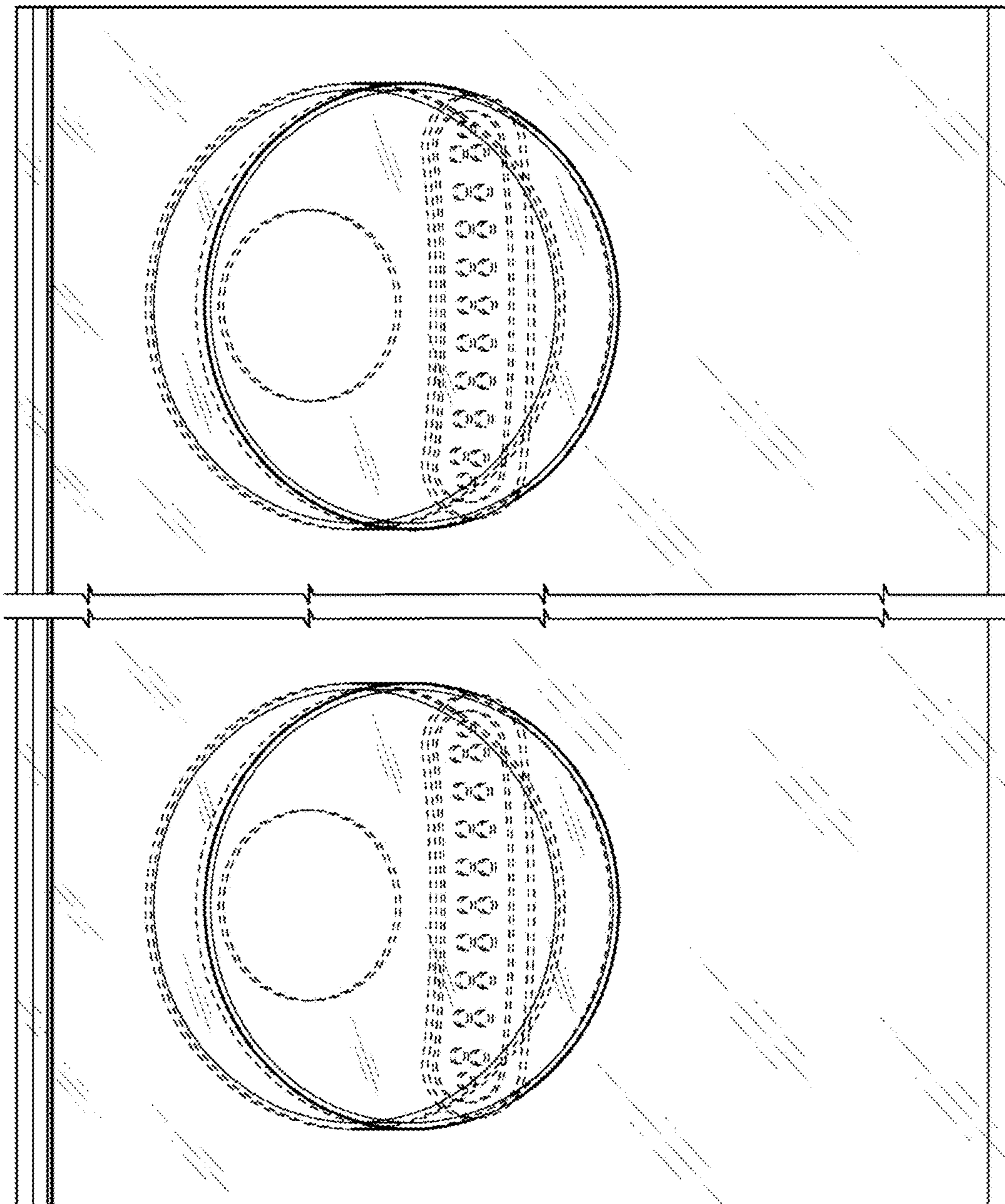


FIG. 18

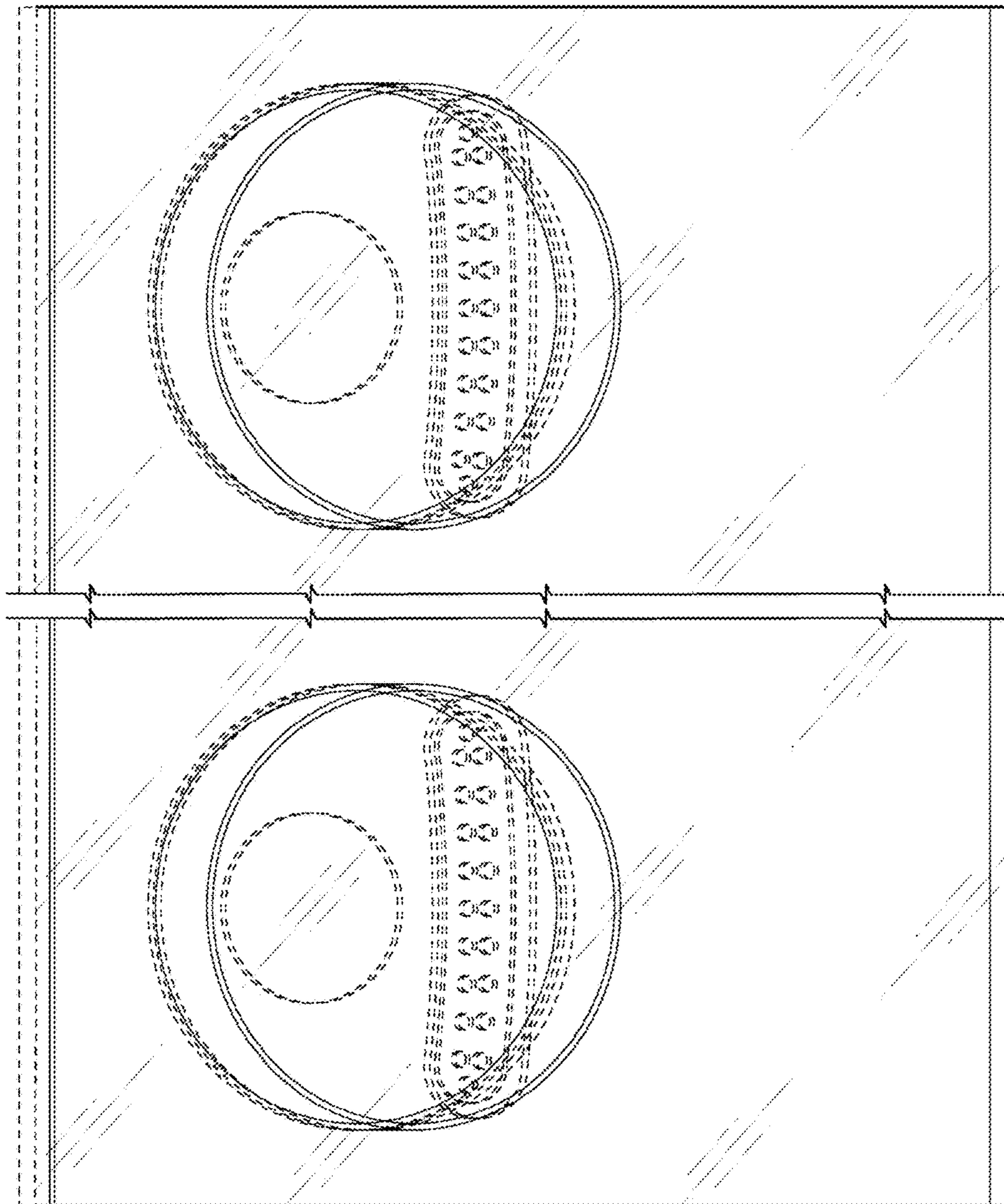


FIG. 19

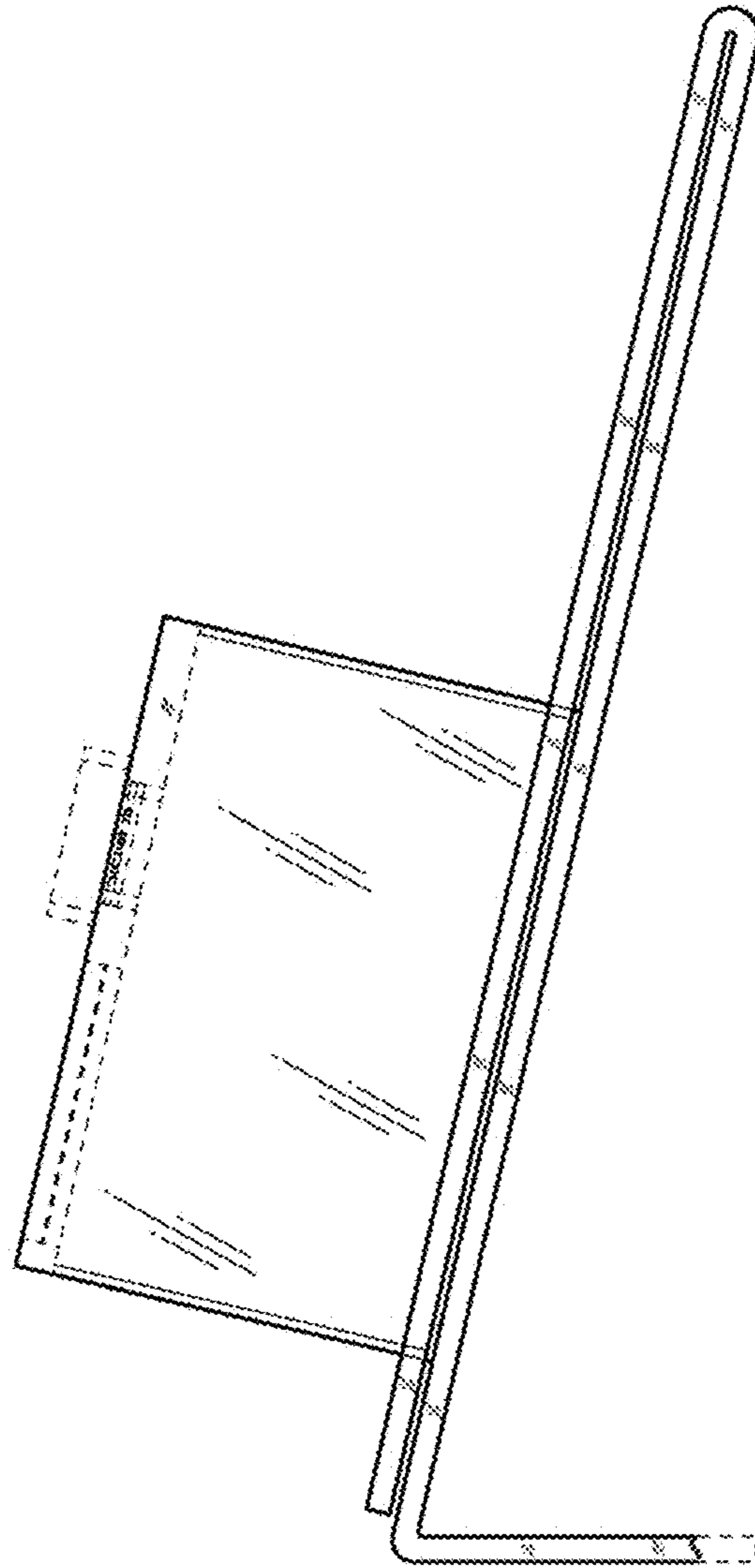


FIG. 20

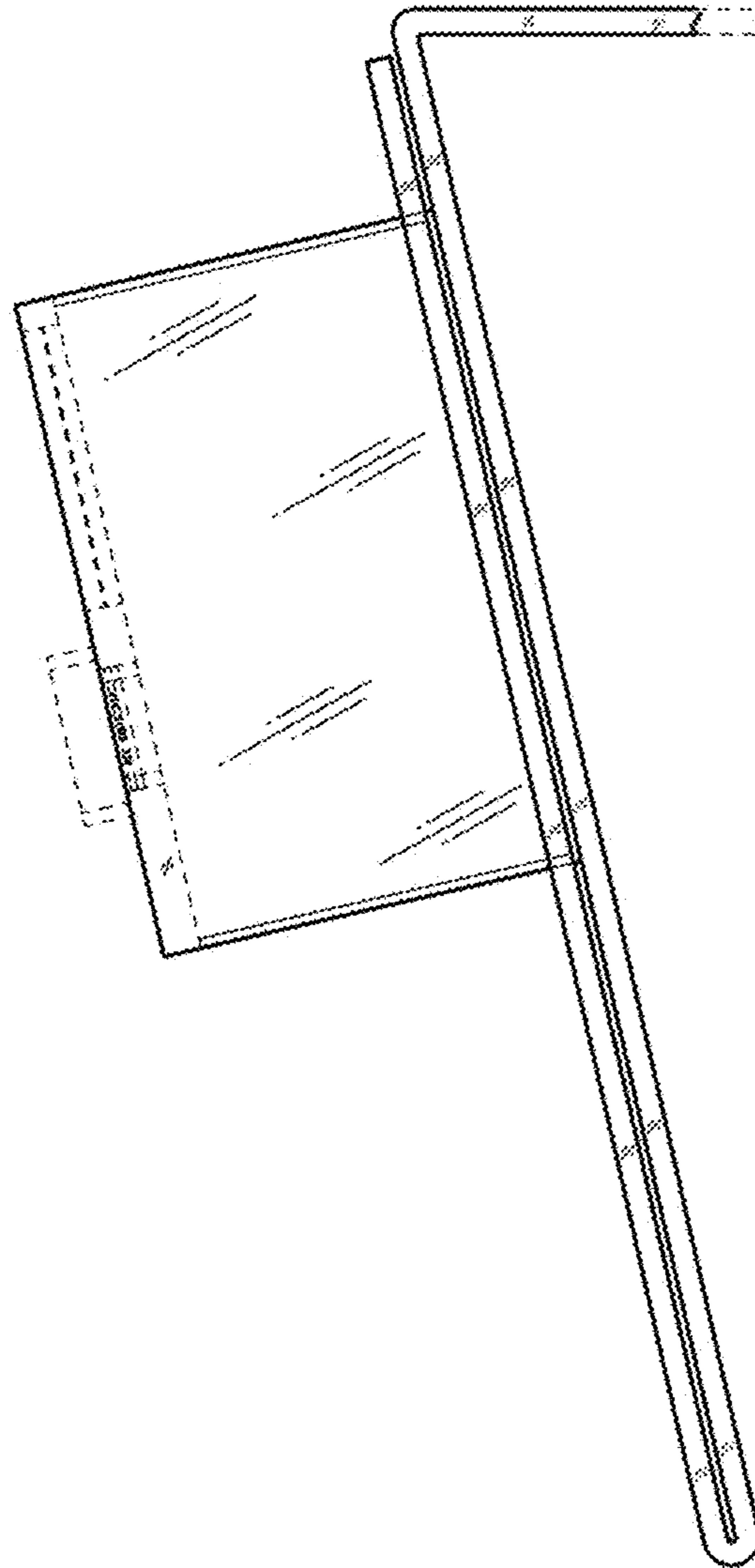


FIG. 21

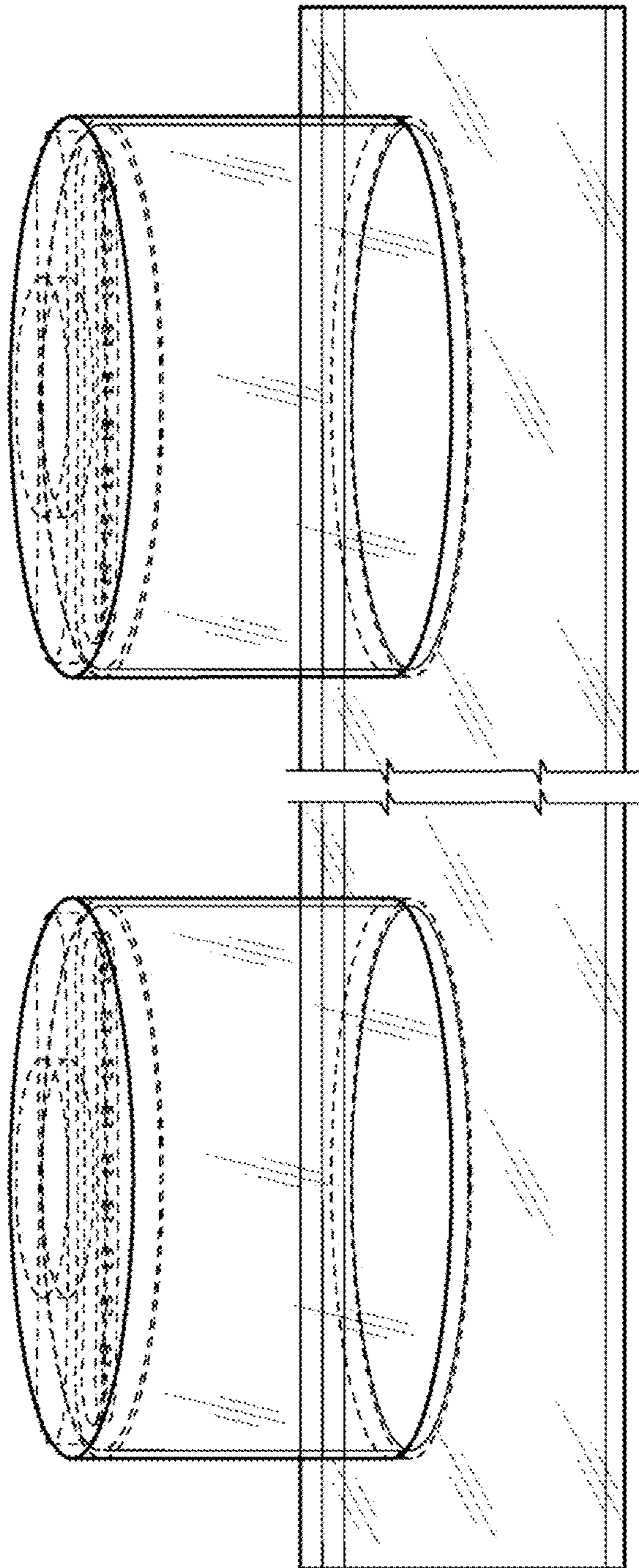


FIG. 22

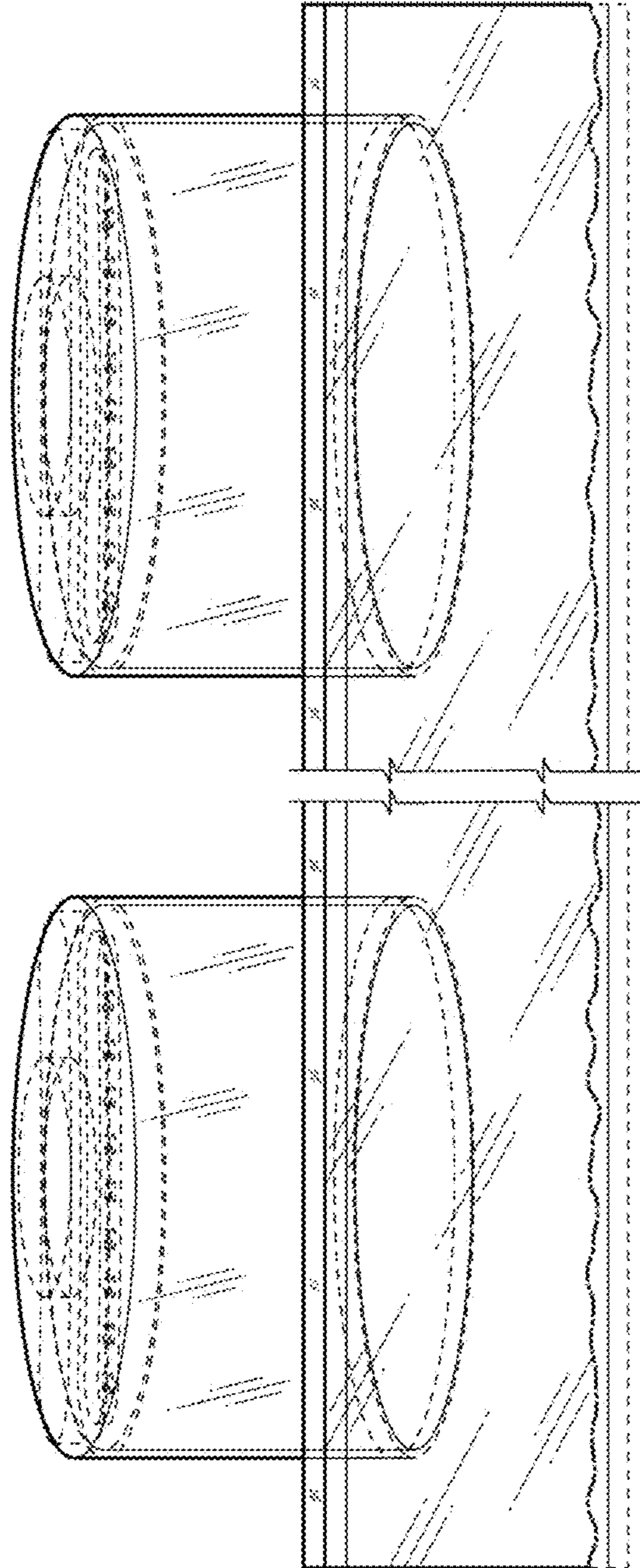


FIG. 23

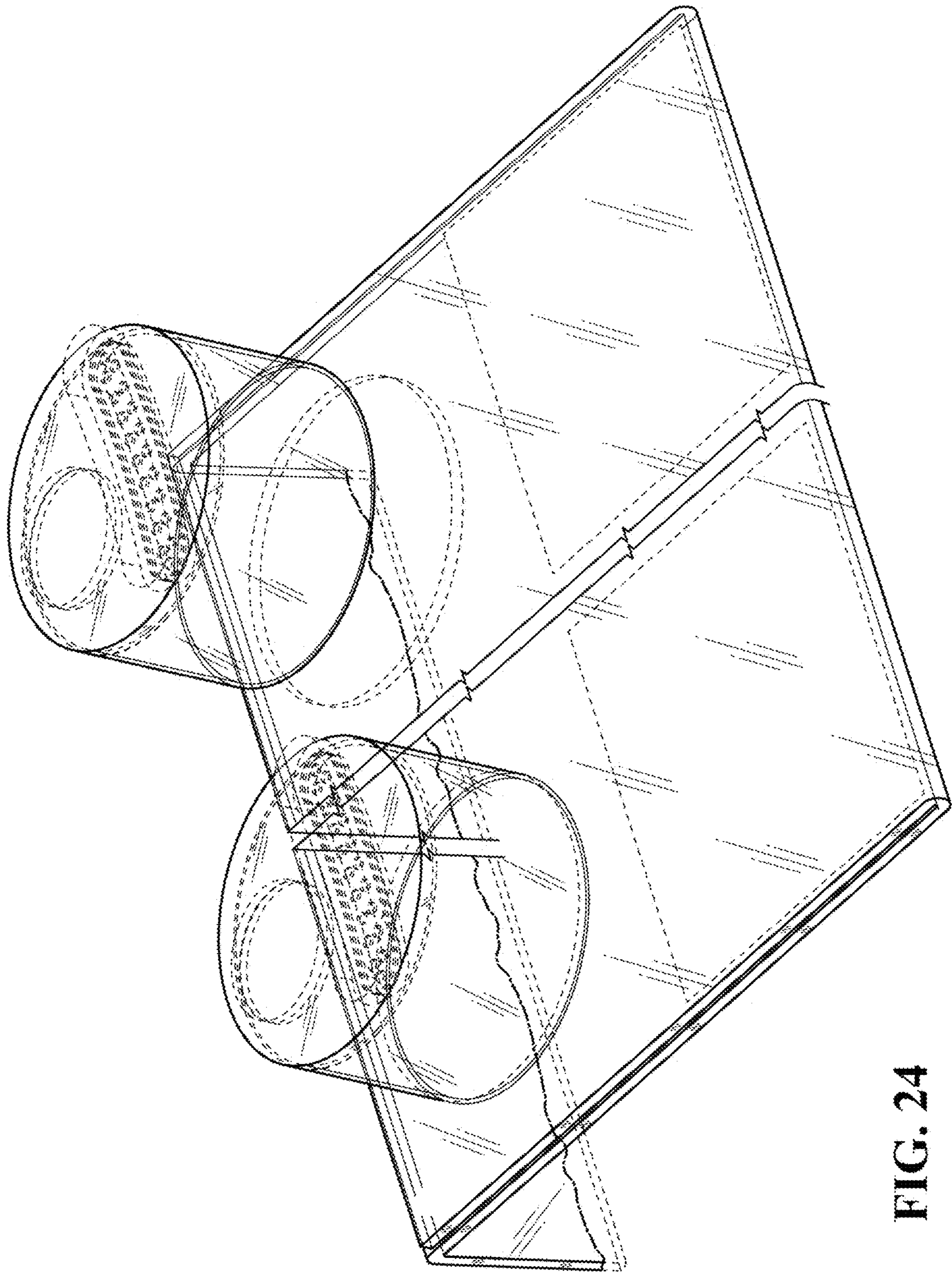


FIG. 24

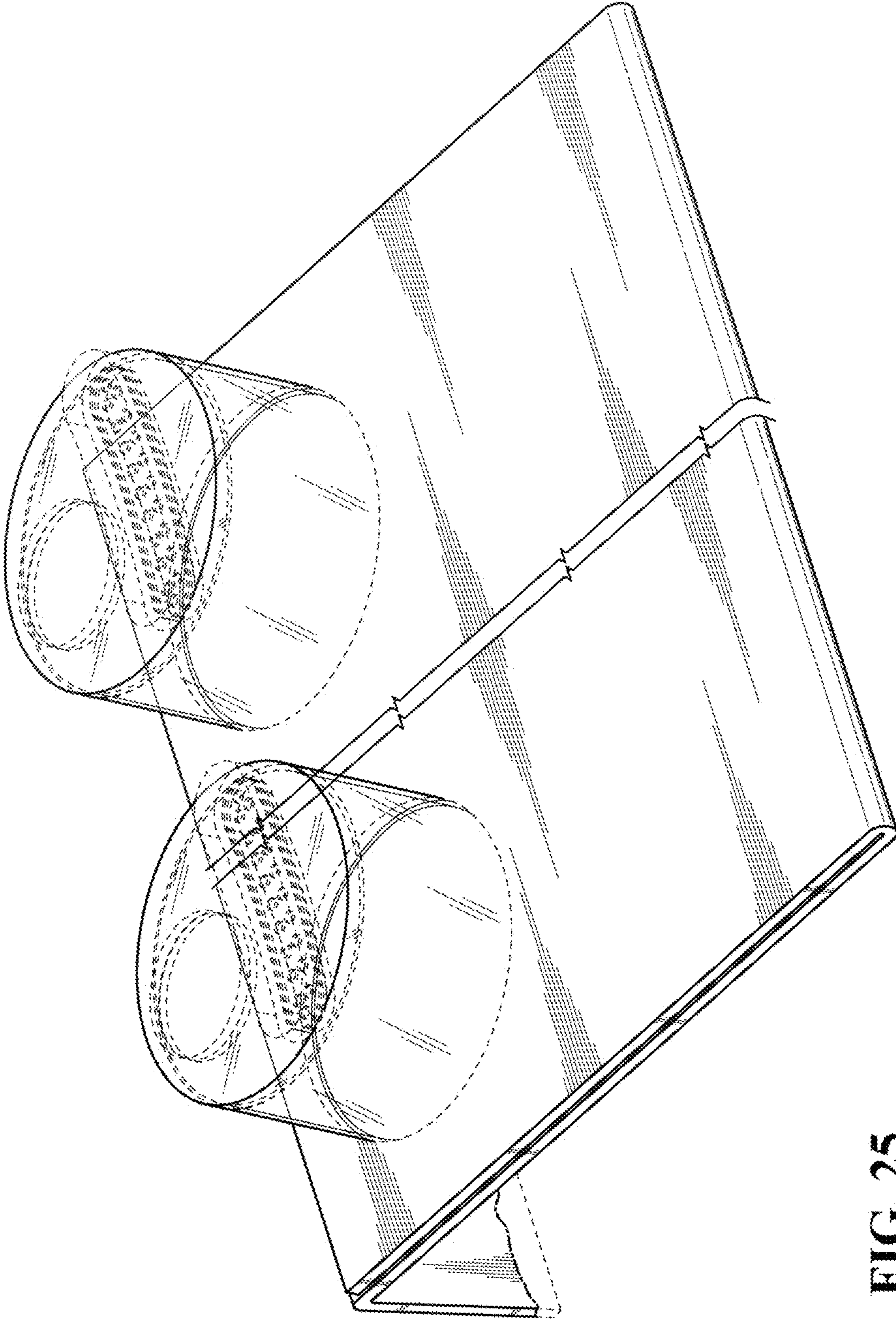


FIG. 25

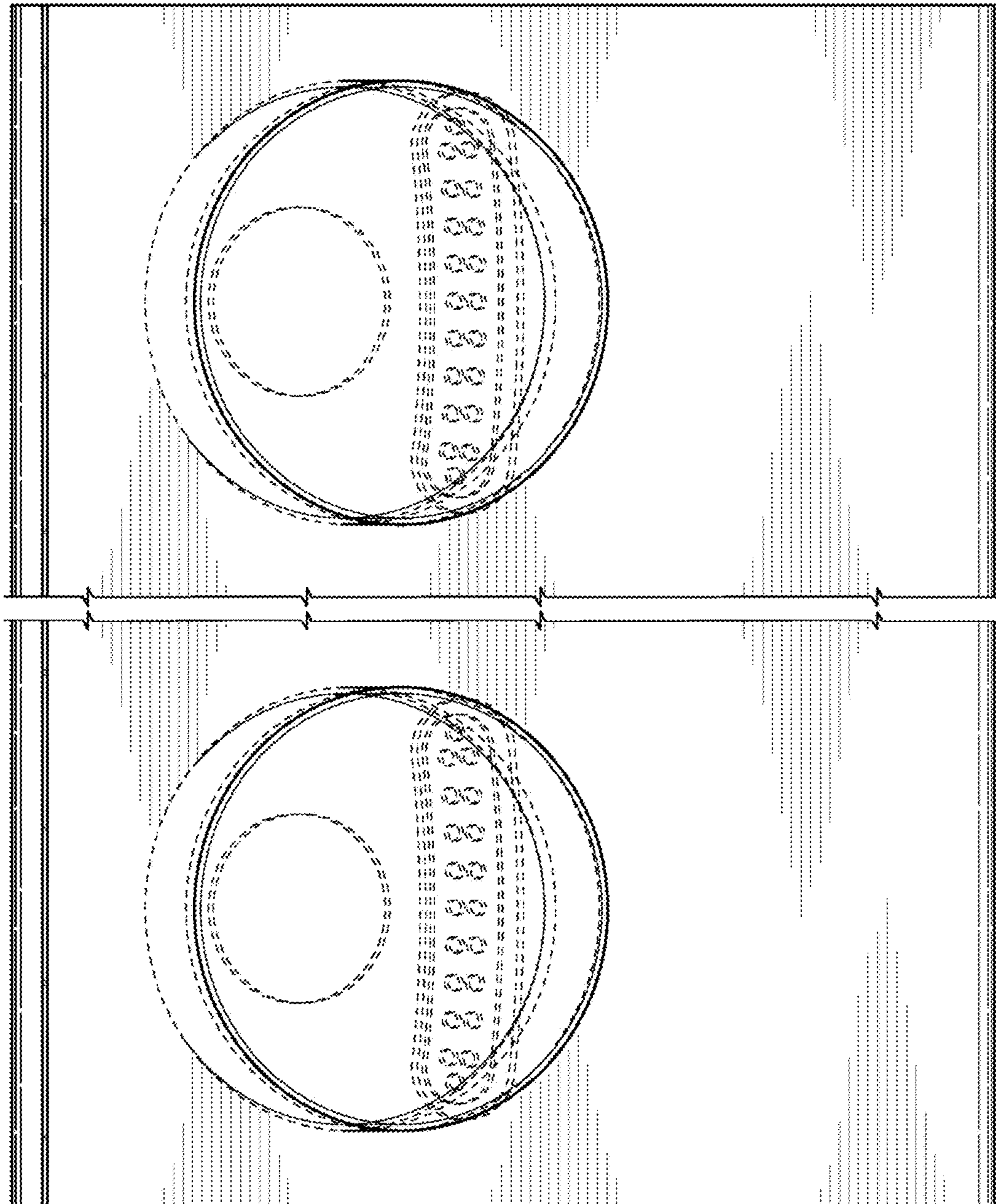


FIG. 26

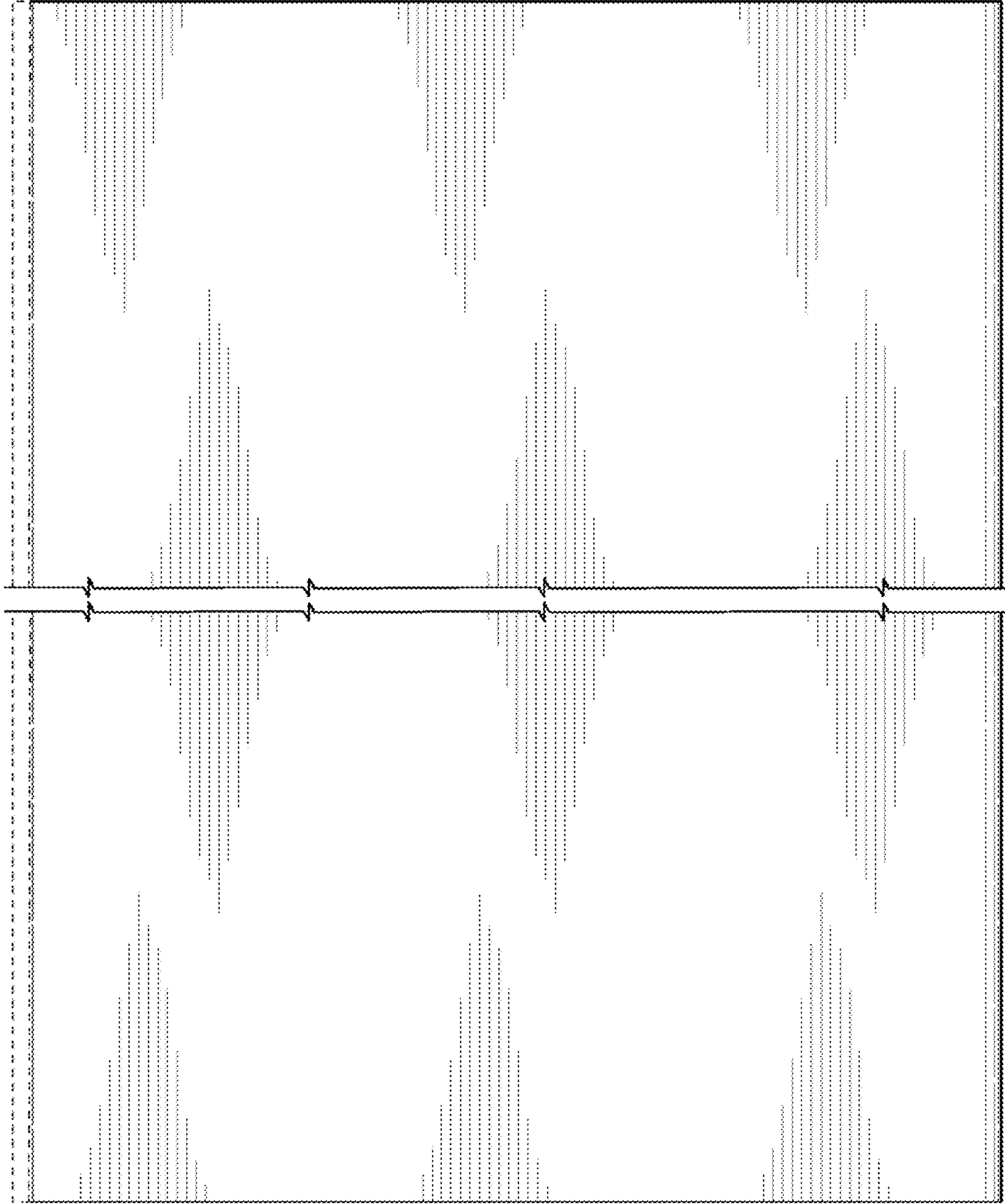


FIG. 27

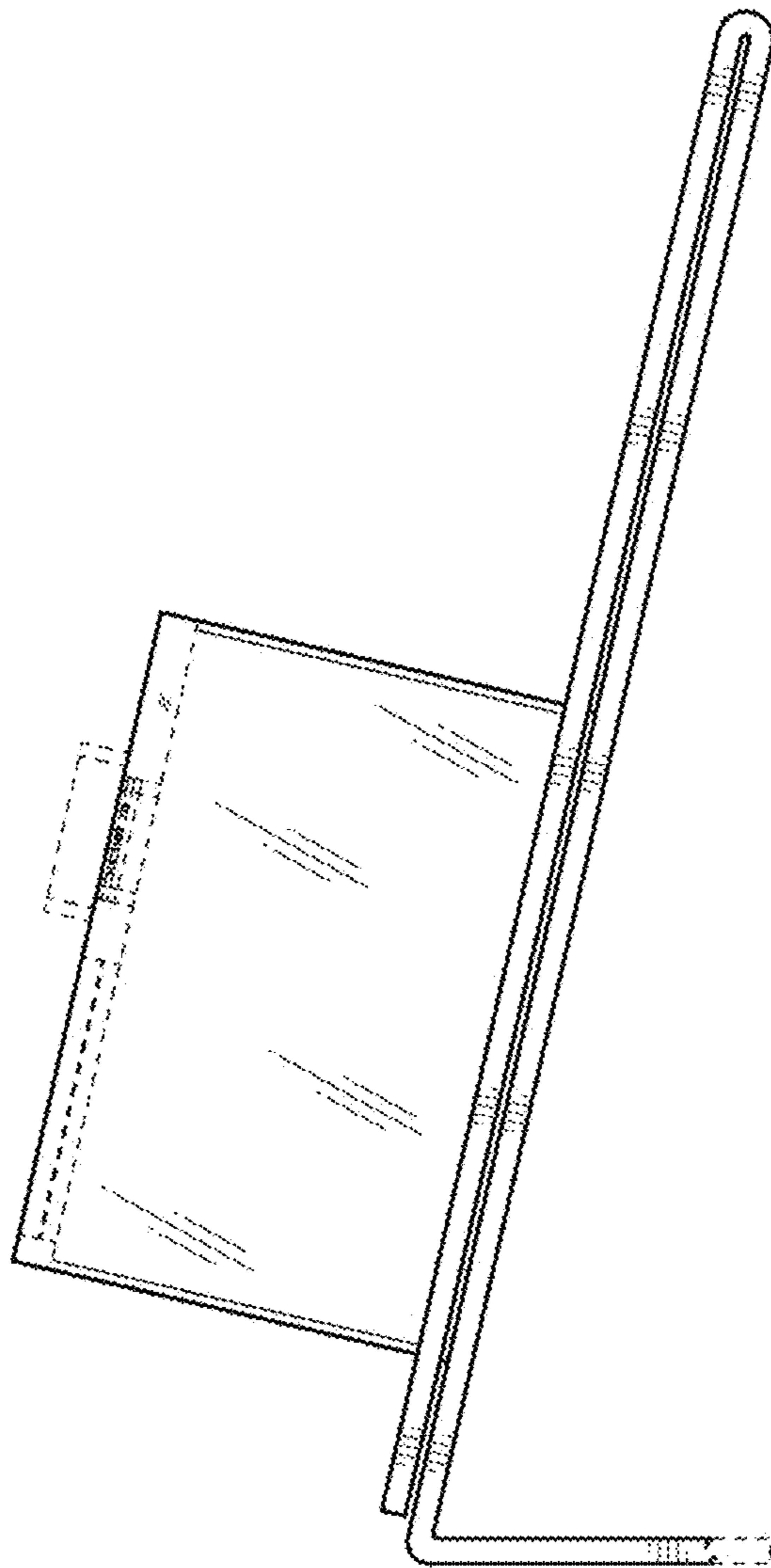


FIG. 28

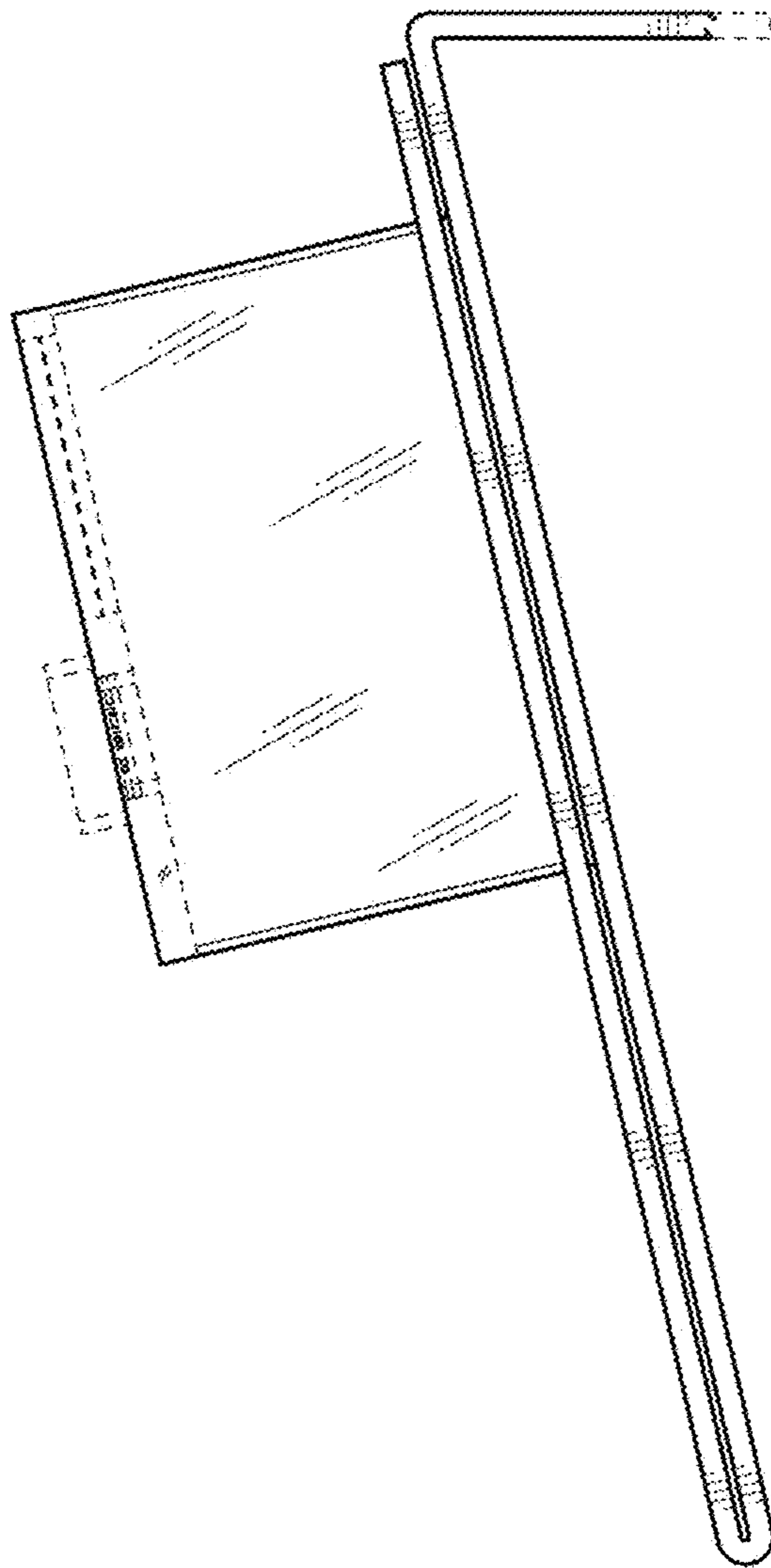


FIG. 29

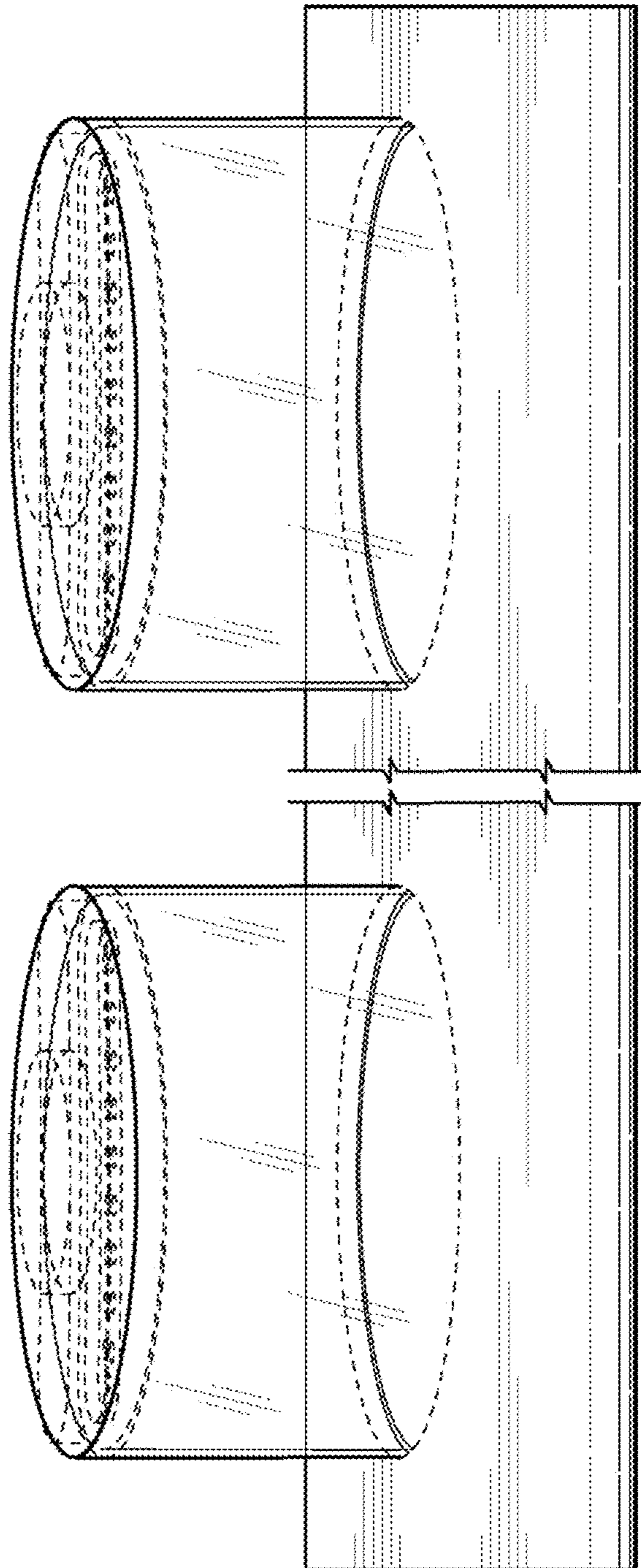


FIG. 30

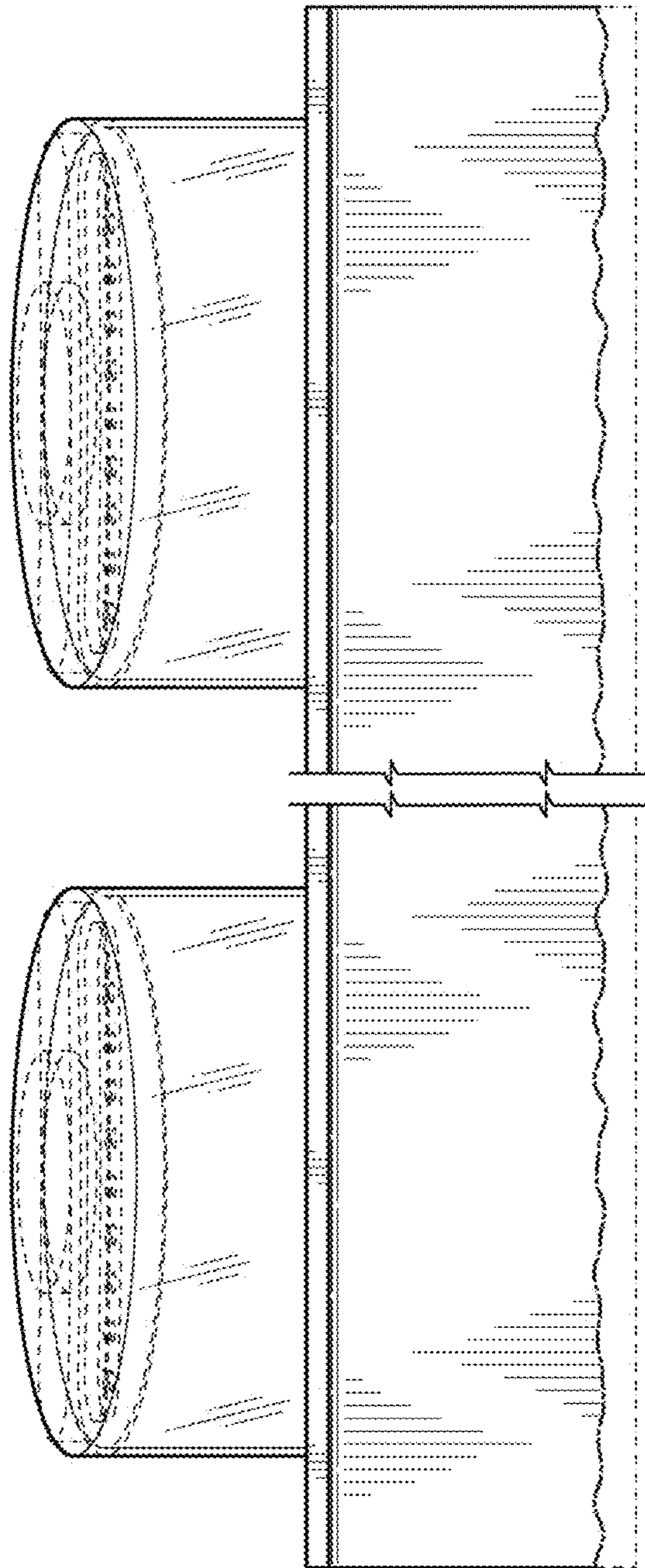


FIG. 31

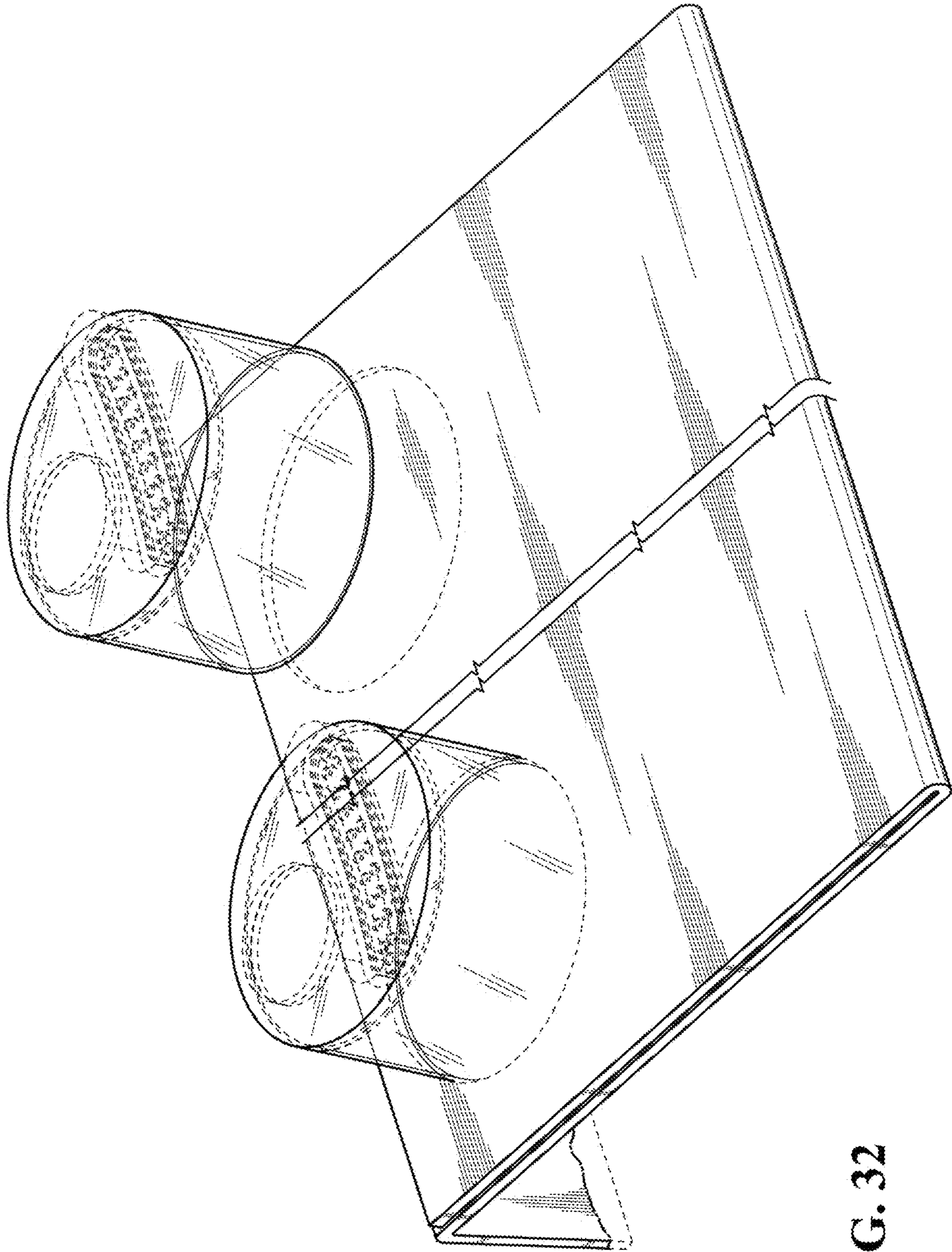


FIG. 32