



US00D878114S

(12) **United States Design Patent**  
**Xu et al.**

(10) **Patent No.:** **US D878,114 S**  
(45) **Date of Patent:** **\*\* Mar. 17, 2020**

(54) **SHELF STRUCTURE FOR A RETAIL  
MODULAR FIXTURE**

(71) Applicant: **Google LLC**, Mountain View, CA (US)

(72) Inventors: **Li Xu**, San Francisco, CA (US);  
**Victoria A. Spielmann**, Piedmont, CA  
(US); **Warit Tulyathorn**, San  
Francisco, CA (US)

(73) Assignee: **GOOGLE LLC**, Mountain View, CA  
(US)

(\*\*) Term: **15 Years**

(21) Appl. No.: **29/630,479**

(22) Filed: **Dec. 21, 2017**

(51) **LOC (12) Cl.** ..... **20-02**

(52) **U.S. Cl.**  
USPC ..... **D6/672**

(58) **Field of Classification Search**  
USPC ..... D6/654, 657, 672, 675, 675.1, 675.3,  
D6/675.4, 681, 705, 567, 574, 681.2  
CPC ..... A47F 5/00; A47F 5/0018; A47F 5/0043;  
A47F 7/00; A47B 96/02; A47B 43/00;  
A47B 43/003; A47B 45/00  
See application file for complete search history.

(56) **References Cited**

**U.S. PATENT DOCUMENTS**

D679,521	S	*	4/2013	Hamm	.....	D6/672
D693,156	S	*	11/2013	Hamm	.....	D6/672
D697,340	S	*	1/2014	Vardaro	.....	D6/675.1
D707,067	S	*	6/2014	Basarich	.....	D6/705
D708,459	S	*	7/2014	Heirakuji	.....	D6/675
D712,181	S	*	9/2014	Martell	.....	D6/675.1
D713,658	S	*	9/2014	Tio	.....	D6/675
D725,947	S	*	4/2015	Tio	.....	D6/675.1
D734,965	S	*	7/2015	Tio	.....	D6/675
D741,091	S	*	10/2015	Tio	.....	D6/675

9,246,203	B2	*	1/2016	Miyata	.....	H01O 1/2208
D758,106	S	*	6/2016	Hamm	.....	D6/672
9,373,877	B2	*	6/2016	Miyata	.....	H01Q 15/14
D764,834	S	*	8/2016	Citterio	.....	D6/574
D769,651	S	*	10/2016	Tio	.....	D6/675
D777,478	S	*	1/2017	Krauss	.....	D6/675
D779,240	S	*	2/2017	Tio	.....	D6/675
9,578,961	B1	*	2/2017	Johnson	.....	A47B 21/06
D790,260	S	*	6/2017	Tio	.....	D6/675
D807,086	S	*	1/2018	Tio	.....	D6/675
D811,138	S	*	2/2018	Lee	.....	D6/705
9,924,810	B2	*	3/2018	Vieville	.....	A47F 5/0043

(Continued)

*Primary Examiner* — Steven J Czyz

(74) *Attorney, Agent, or Firm* — Leason Ellis LLP

(57) **CLAIM**

The ornamental design for a shelf structure for a retail modular fixture, as shown and described.

**DESCRIPTION**

FIG. 1 is a perspective view of a shelf structure for a retail modular fixture according to a first embodiment of our new design;

FIG. 2 is a top plan view thereof;

FIG. 3 is a bottom plan view thereof;

FIG. 4 is a right side view thereof;

FIG. 5 is a left side view thereof;

FIG. 6 is a front plan view thereof;

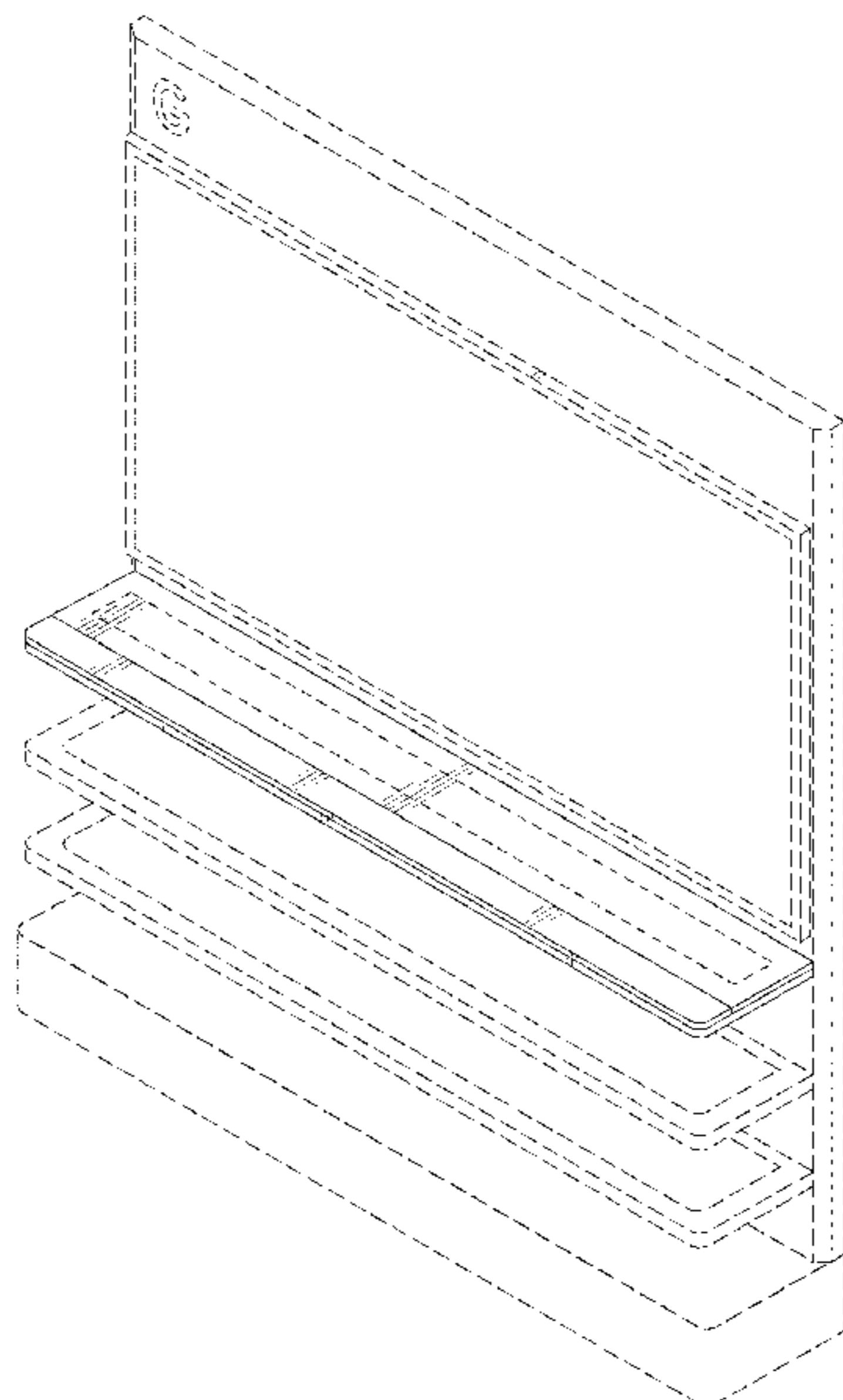
FIG. 7 is a back plan view thereof; and,

FIG. 8 is a perspective view of a shelf structure for a retail modular fixture according to a second embodiment, and shown in use with environment.

The shelf structure of a retail modular fixture is shown with a symbolic break in its length. The appearance of any portion of the article between the break lines forms no part of the claimed design.

The broken lines depict environment and portions of the article that form no part of the claimed design.

**1 Claim, 3 Drawing Sheets**



(56)

**References Cited**

U.S. PATENT DOCUMENTS

D816,372 S *	5/2018	Berkowitz .....	D6/567
D817,676 S *	5/2018	Herring .....	D6/705
D819,377 S *	6/2018	Brown .....	D6/705
D821,116 S *	6/2018	Hamm .....	D6/657
D824,702 S *	8/2018	Tio .....	D6/675
D841,370 S *	2/2019	Theisen .....	D6/657
D842,628 S *	3/2019	Siminoff .....	D6/672
D845,043 S *	4/2019	Allen .....	D6/675
D852,555 S *	7/2019	Fenneman .....	D6/675.1

\* cited by examiner

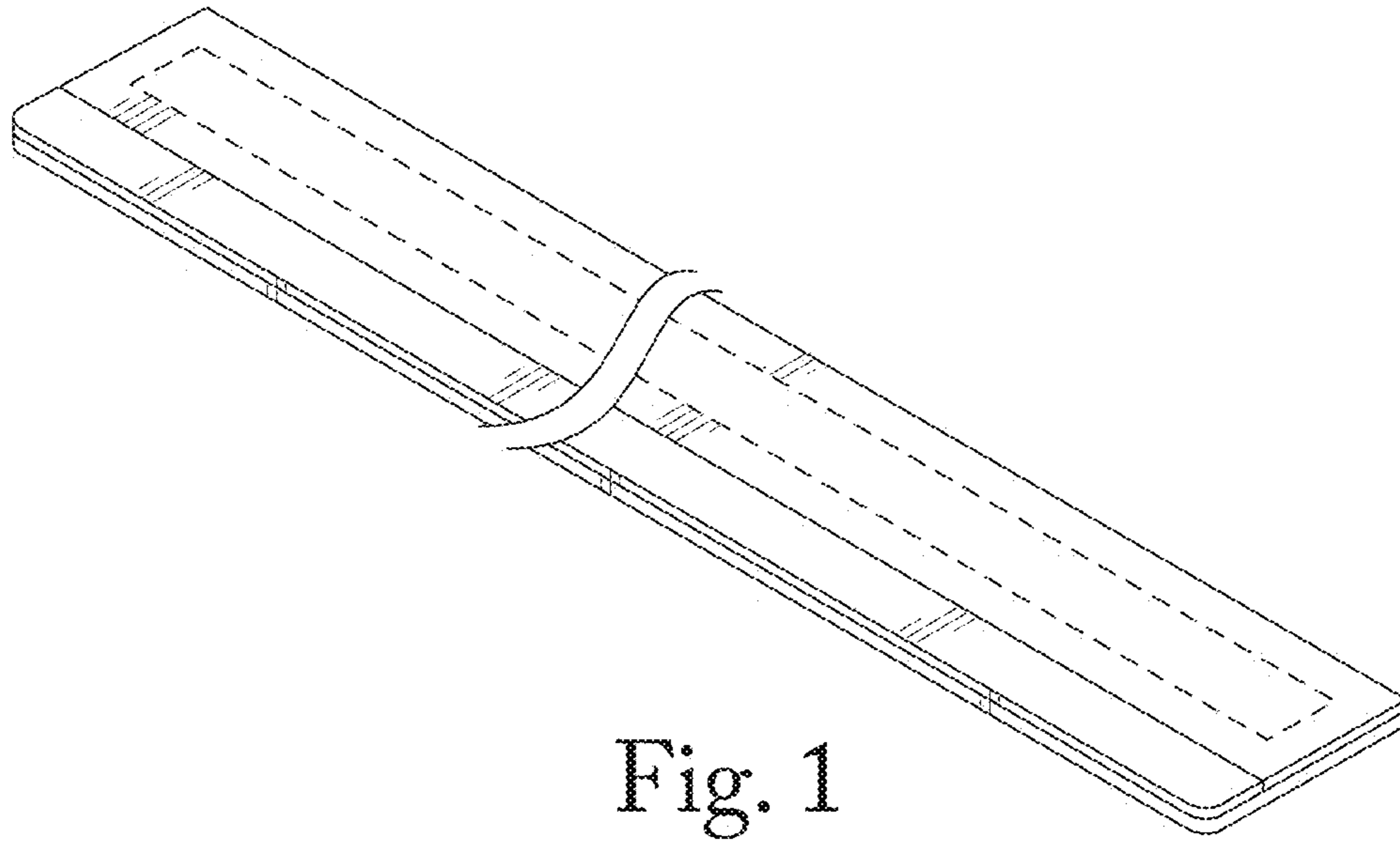


Fig. 1

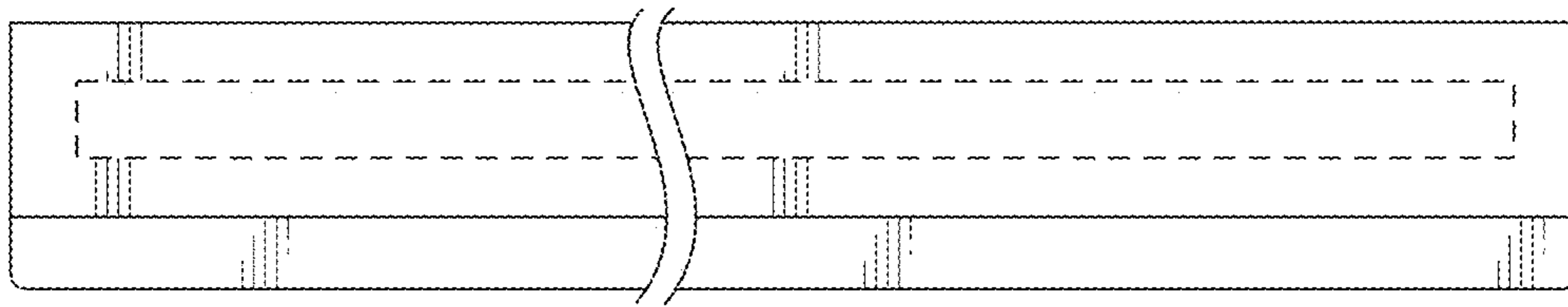


Fig. 2

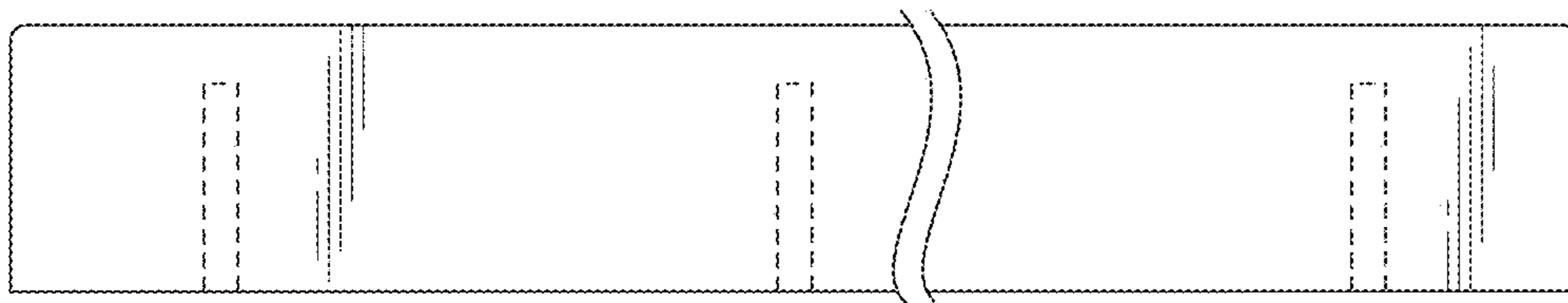


Fig. 3

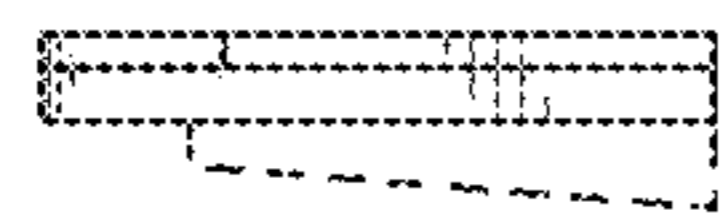


Fig. 4

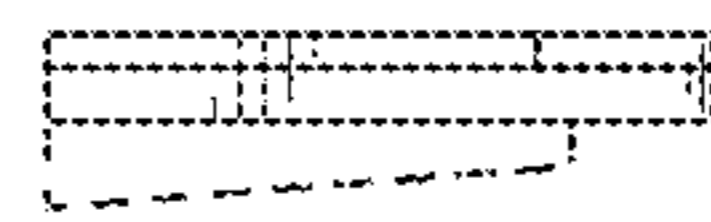


Fig. 5

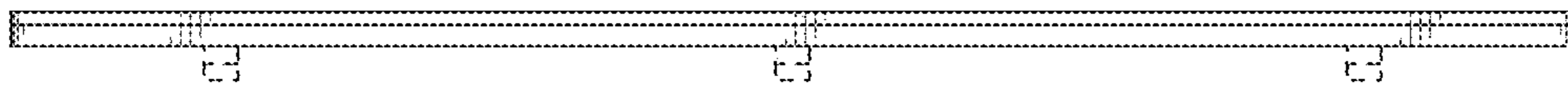


Fig. 6

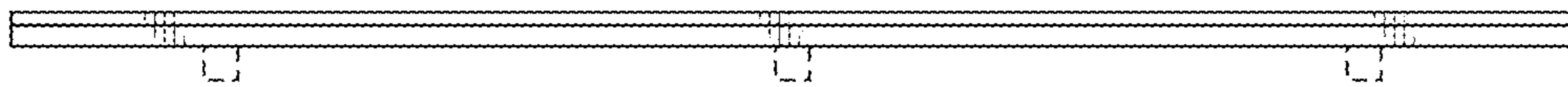


Fig. 7

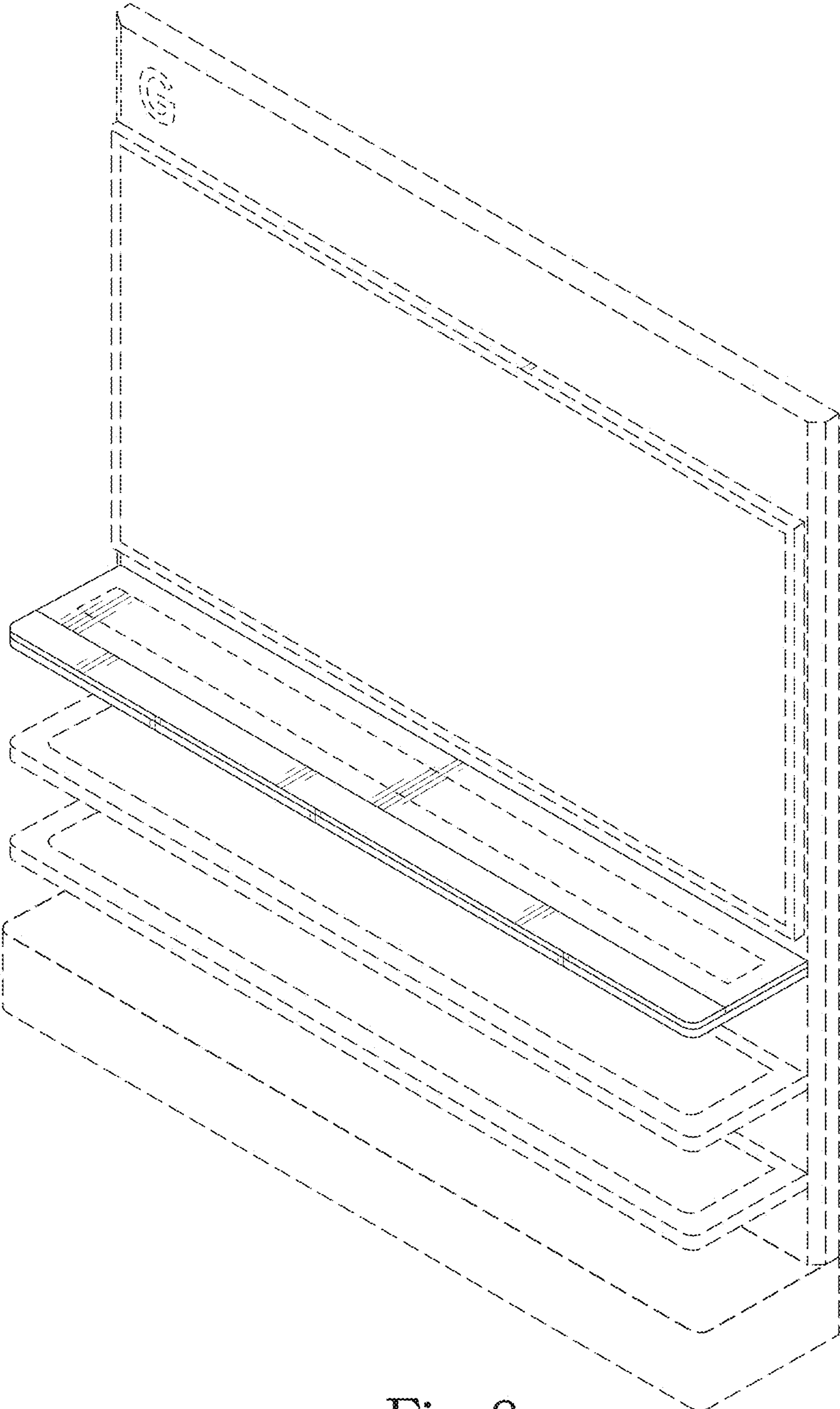


Fig. 8