



US00D878113S

(12) **United States Design Patent** (10) **Patent No.:** **US D878,113 S**
Leonorovitz (45) **Date of Patent:** **** Mar. 17, 2020**

- (54) **JEWELRY BOX**
- (71) Applicant: **GLENOR INC**, Brooklyn, NY (US)
- (72) Inventor: **Goldy Leonorovitz**, Brooklyn, NY (US)
- (73) Assignee: **Glenor Inc.**, Brooklyn, NY (US)
- (**) Term: **15 Years**
- (21) Appl. No.: **29/636,301**
- (22) Filed: **Feb. 7, 2018**
- (51) **LOC (12) Cl.** **06-04**
- (52) **U.S. Cl.**
USPC **D6/667**
- (58) **Field of Classification Search**
USPC D6/302, 384, 515, 659, 663, 667, 671, D6/671.1, 675.1, 675; D3/269, 275, 296, D3/302, 304, 307, 309, 297, 903; D7/333, 368; D9/418, 432; D23/343, D23/332
CPC . A47F 3/043; A47F 7/03; A47F 7/021; A47B 49/004; A47B 88/90; A47B 2095/024; F25D 23/026; F25D 23/028; A45C 13/345; A45C 11/16; Y10S 220/26; B65D 5/48024; B65D 43/24; B65D 43/163; B65D 81/09; B65D 2251/105; G09F 5/02
See application file for complete search history.

Earring-Organizer-Holder/dp/B071CXG1TV/ref=cm_cr_arp_d_product_top?ie=UTF8> (Year: 2017).*

Primary Examiner — Kevin K Rudzinski
Assistant Examiner — Paul D Bohannon
(74) *Attorney, Agent, or Firm* — Larry E. Henneman, Jr.; Baker & Rannells, PA

(57) **CLAIM**

The ornamental design for a jewelry box, as shown and described.

DESCRIPTION

FIG. 1 is a perspective view of a jewelry box in accordance with the new design, whereby the box is in a closed configuration;

FIG. 2 is a front elevational view thereof;

FIG. 3 is a rear elevational view thereof;

FIG. 4 is a right side elevational view thereof, whereby, the opposite left side is a mirror image thereof;

FIG. 5 is a top plan view thereof;

FIG. 6 is a bottom view thereof;

FIG. 7 is a perspective view of a jewelry box in accordance with the new design, showing the lid and base of the box in an opened configuration;

FIG. 8 is a front elevational view thereof;

FIG. 9 is a right side elevational view thereof, whereby, the opposite left side is a mirror image thereof;

FIG. 10 is a top plan view thereof;

FIG. 11 is a perspective view of a jewelry box in accordance with the new design, showing the lid and base of the box in an opened configuration as in FIG. 7, and additionally showing the drawers in an opened and staggered configuration;

FIG. 12 is a right side elevational view thereof, whereby, the opposite left side is a mirror image thereof; and,

FIG. 13 is a top plan view thereof.

The evenly spaced dash-dash broken lines shown in the drawings are for the purpose of illustrating stitching and form part of the claimed design.

(56) **References Cited**

U.S. PATENT DOCUMENTS

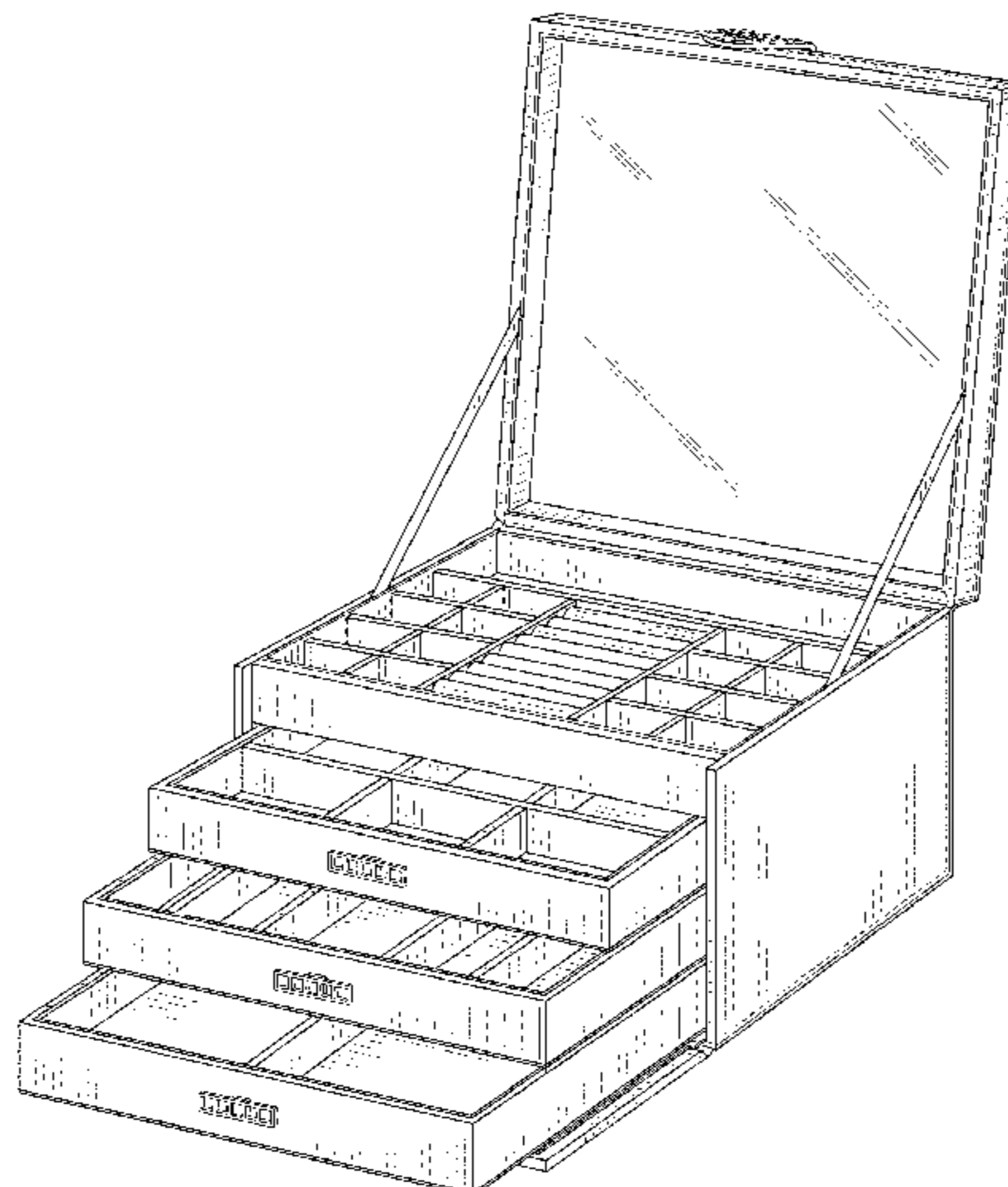
- 2,564,122 A * 8/1951 Mele A45C 11/16 312/204
- 2,738,250 A * 3/1956 Mele A45C 11/16 312/276

(Continued)

OTHER PUBLICATIONS

“Glenor Co Earring Organizer Holder” Aug. 16, 2017, amazon.com, site visited Oct. 31, 2019 <<https://www.amazon.com/Glenor-Co->

1 Claim, 12 Drawing Sheets



(56)

References Cited

U.S. PATENT DOCUMENTS

2,755,154 A * 7/1956 Mele G09F 5/02
 312/274
 3,008,253 A * 11/1961 Bell, Jr. F25D 23/028
 40/661.12
 D199,820 S * 12/1964 Meeker D3/296
 D361,430 S * 8/1995 Mohundro D3/296
 D417,783 S * 12/1999 Wolf D3/275
 D471,716 S * 3/2003 Wolf D3/318
 D475,197 S * 6/2003 Stoddard D3/284
 D485,067 S * 1/2004 Wolf D3/291
 D485,682 S * 1/2004 Wolf D3/291
 D518,957 S * 4/2006 DeCarlo D3/302
 D664,803 S * 8/2012 Argondizzo D7/368
 D684,810 S * 6/2013 Argondizzo D7/368
 D685,578 S * 7/2013 Pestell D3/294
 D730,660 S * 6/2015 Chen D6/667
 D757,434 S * 5/2016 Beilman D28/76
 D793,128 S * 8/2017 Peota D6/675
 D795,585 S * 8/2017 Serimian D3/313
 D805,815 S * 12/2017 Leonorovitz D6/667
 D822,188 S * 7/2018 Pontillas D23/343
 D826,712 S * 8/2018 Servaire D9/432
 D835,436 S * 12/2018 Reister D6/662
 D839,585 S * 2/2019 Beilman D3/205
 D850,821 S * 6/2019 Pontillas D6/667

* cited by examiner

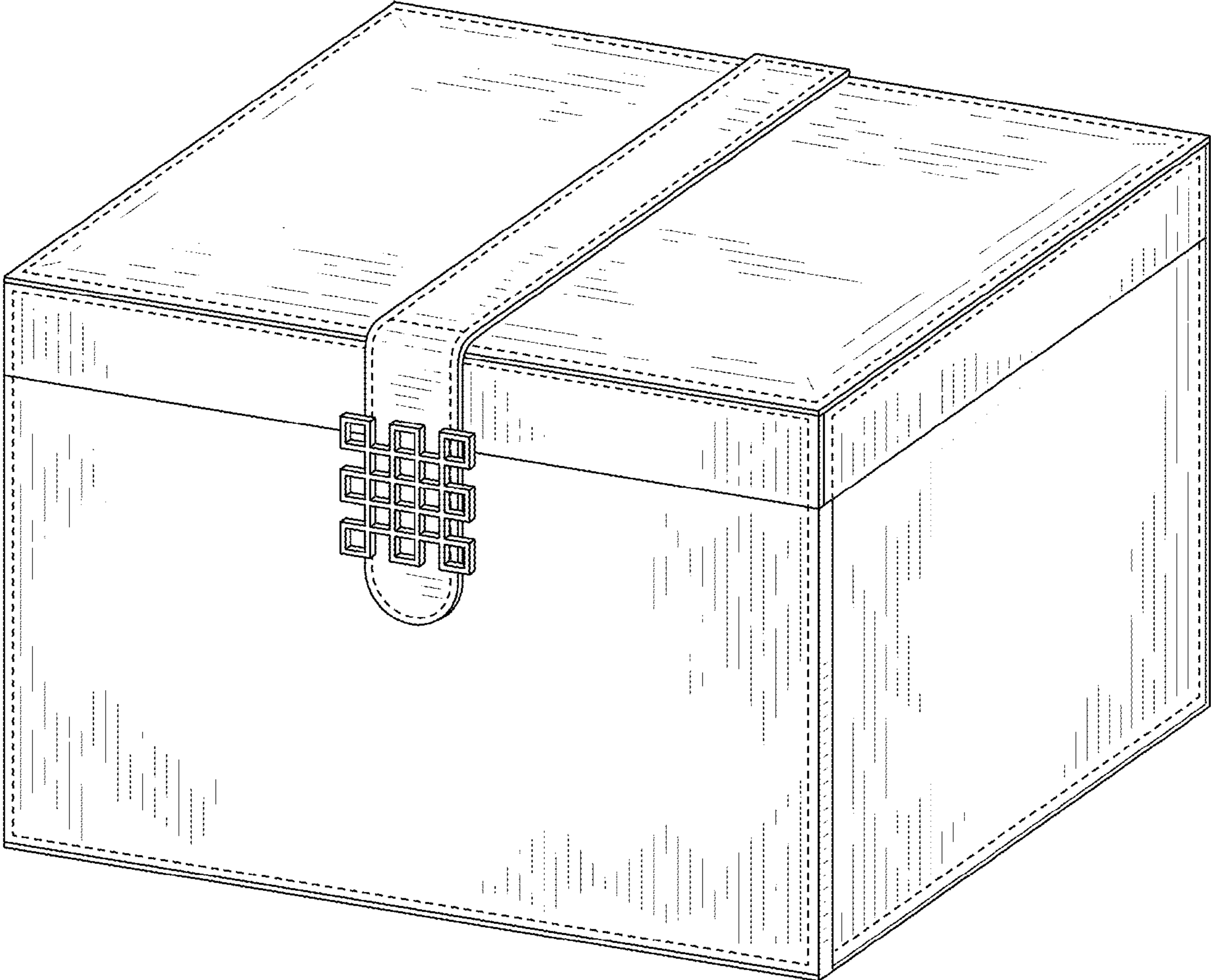


FIG. 1

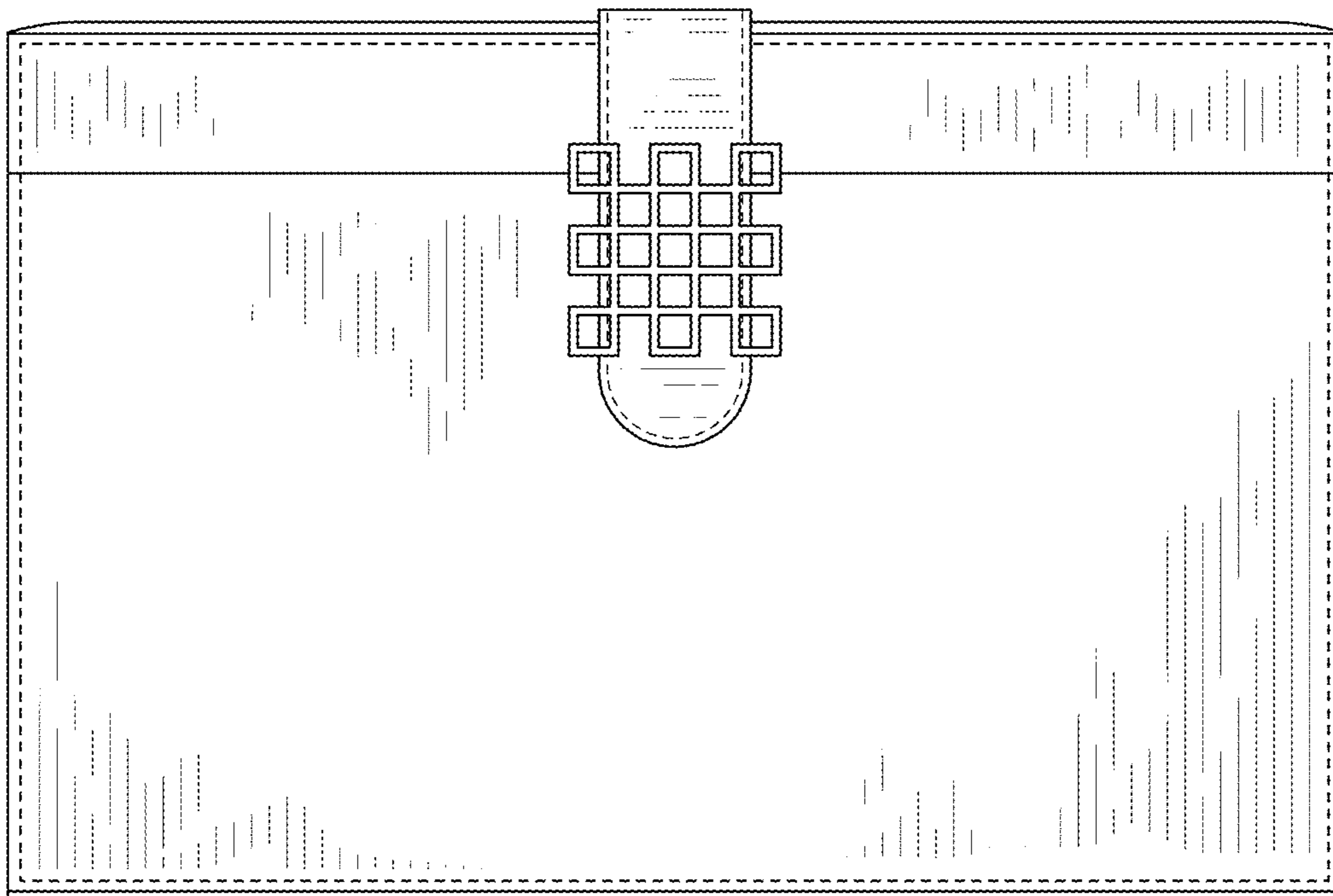


FIG. 2

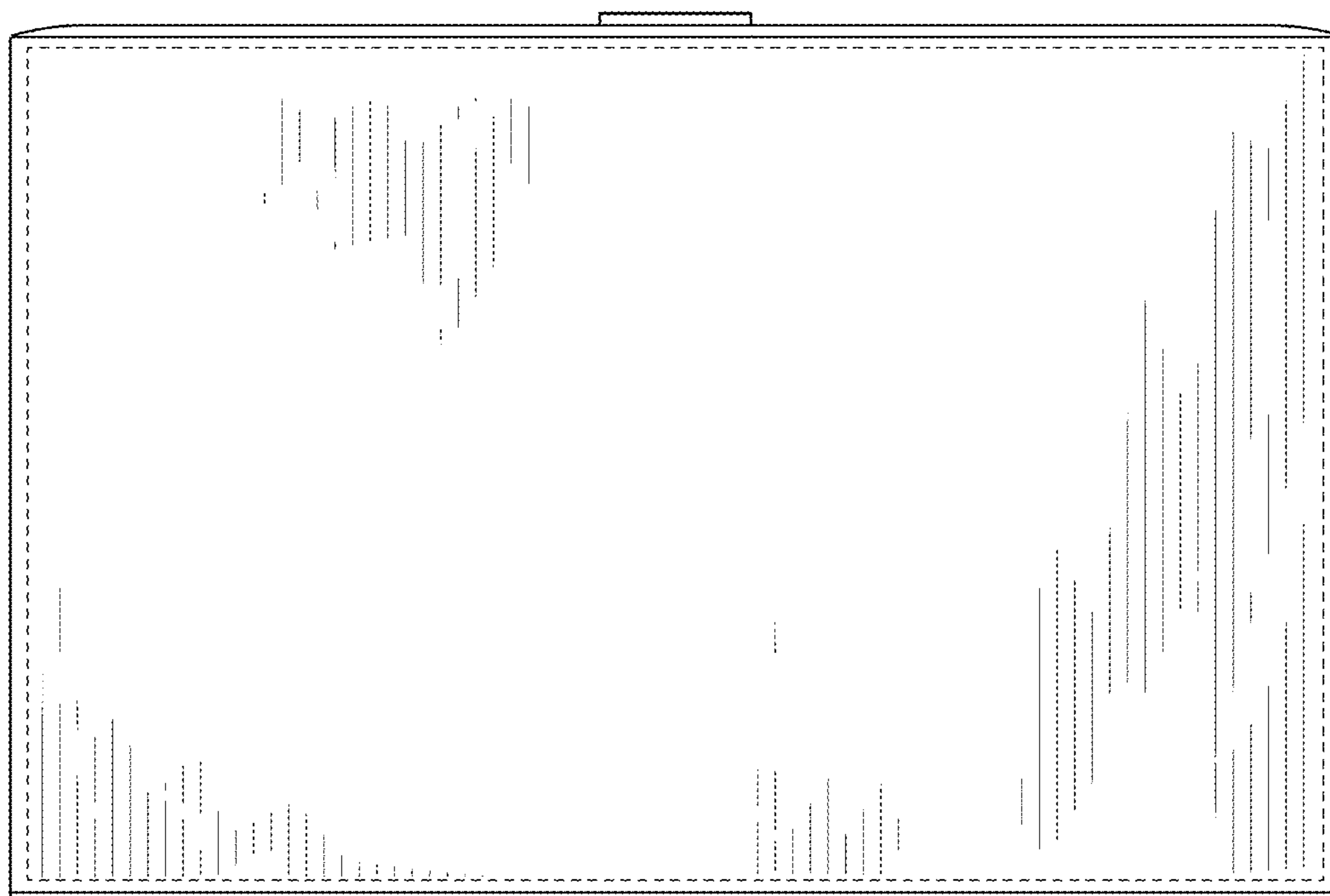


FIG. 3



FIG. 4

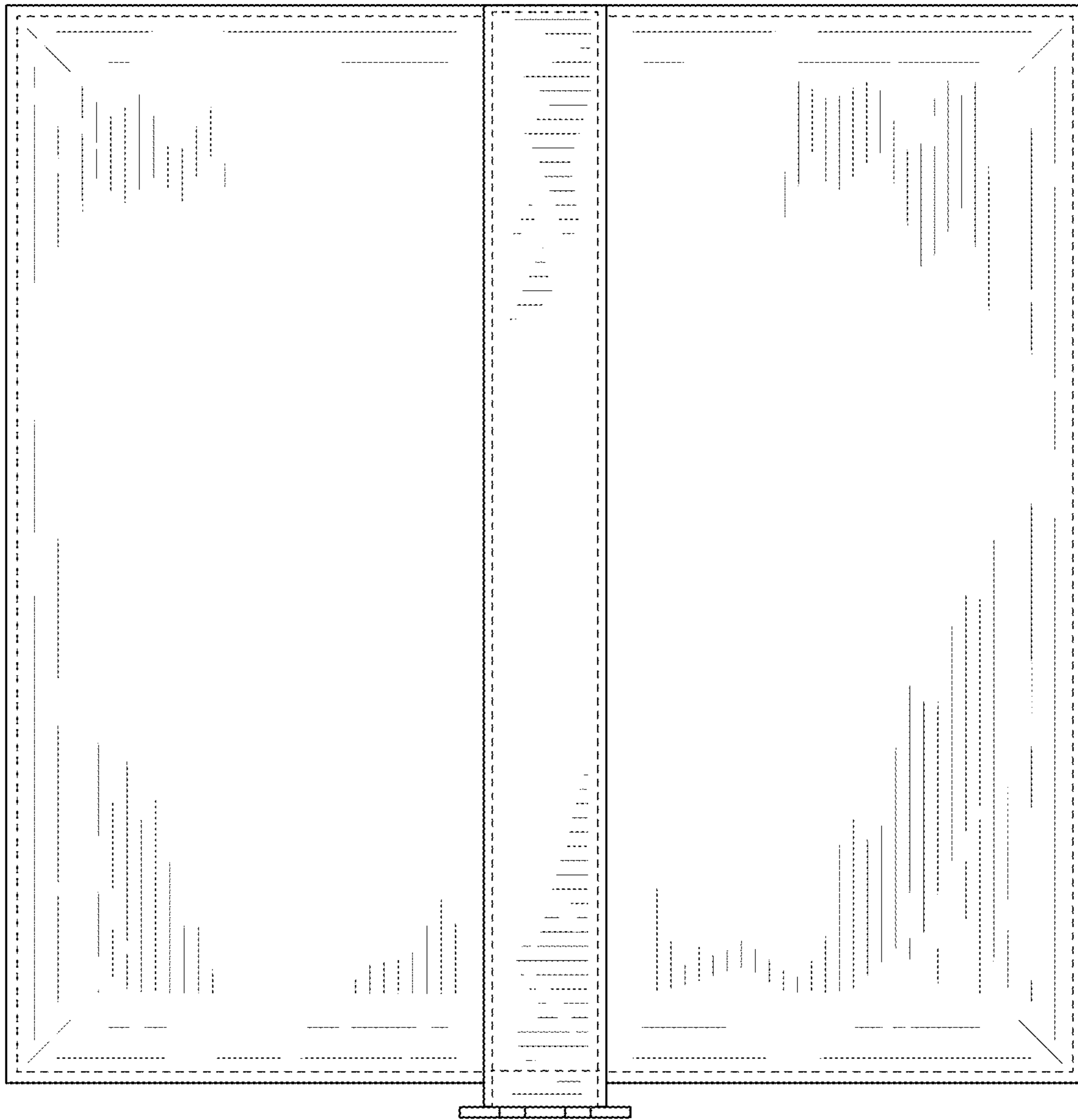


FIG. 5

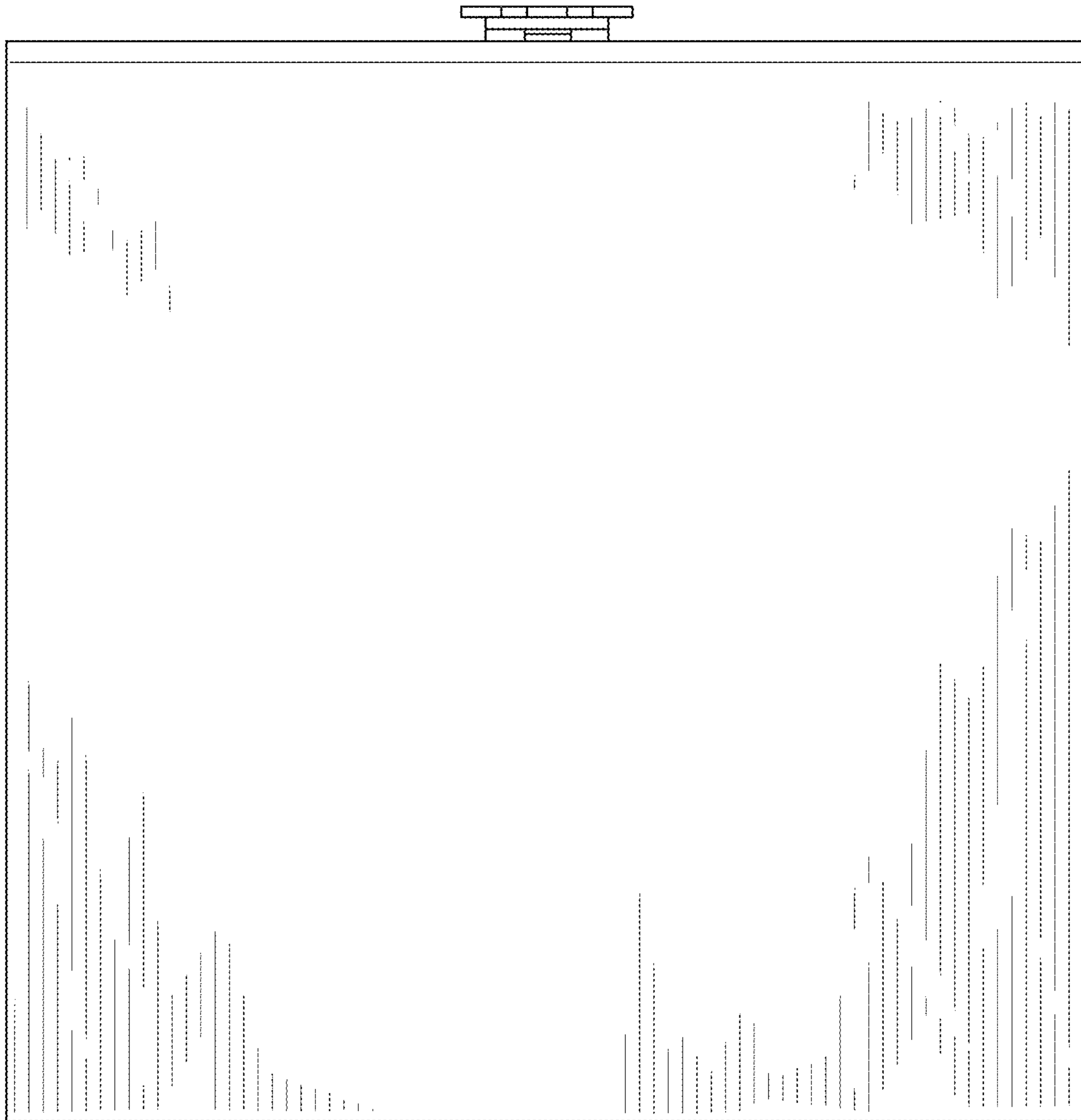


FIG. 6

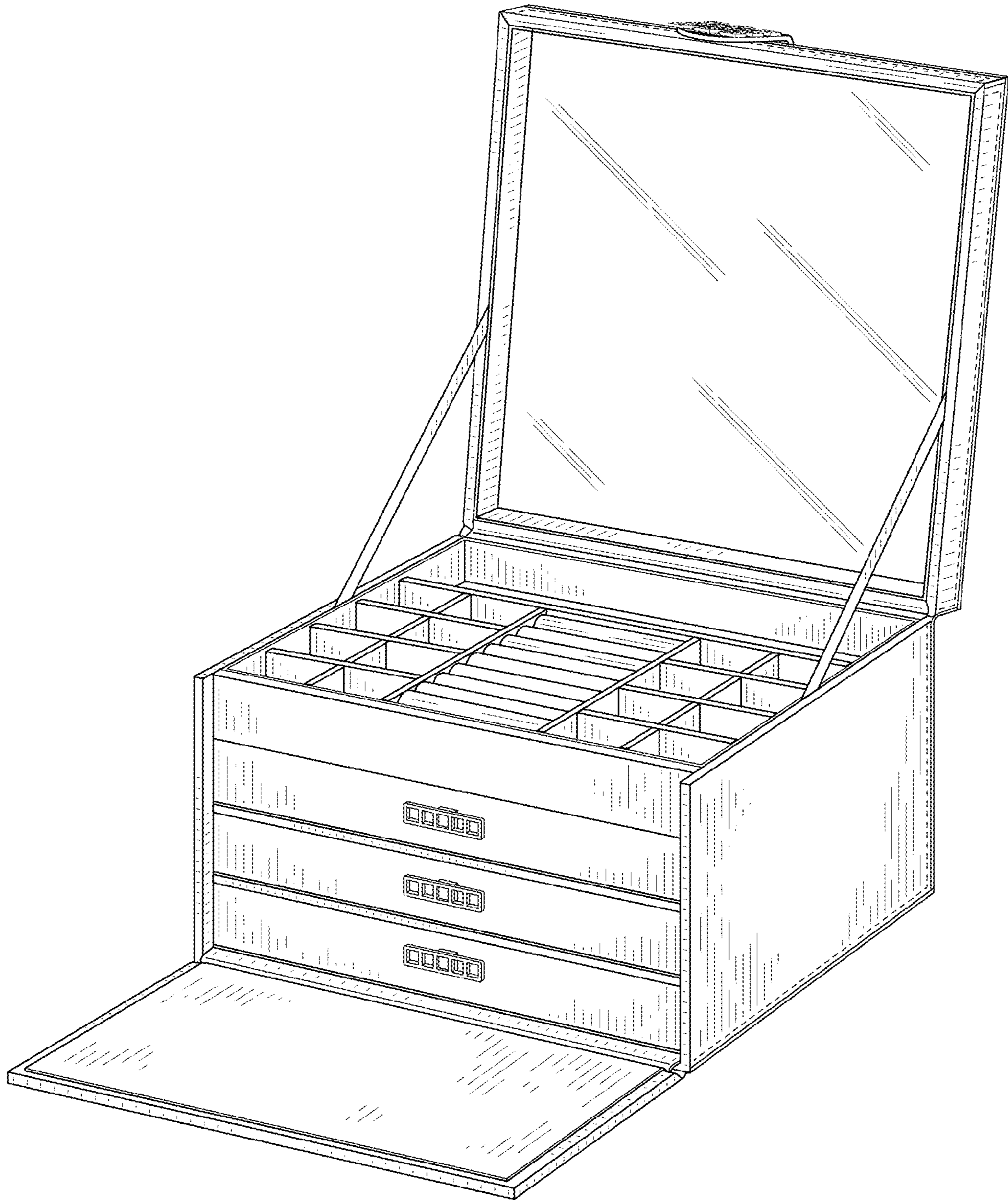


FIG. 7

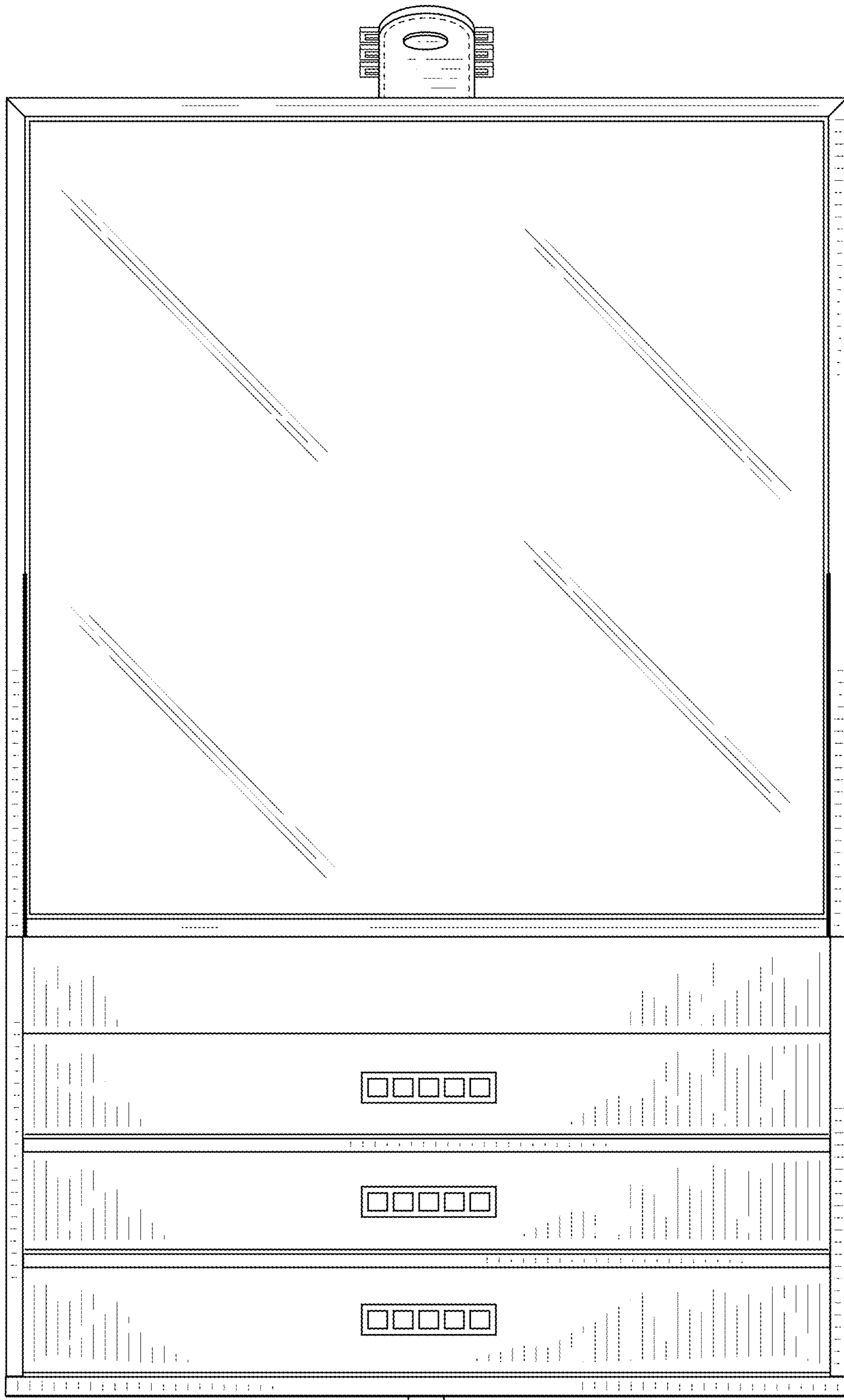


FIG. 8

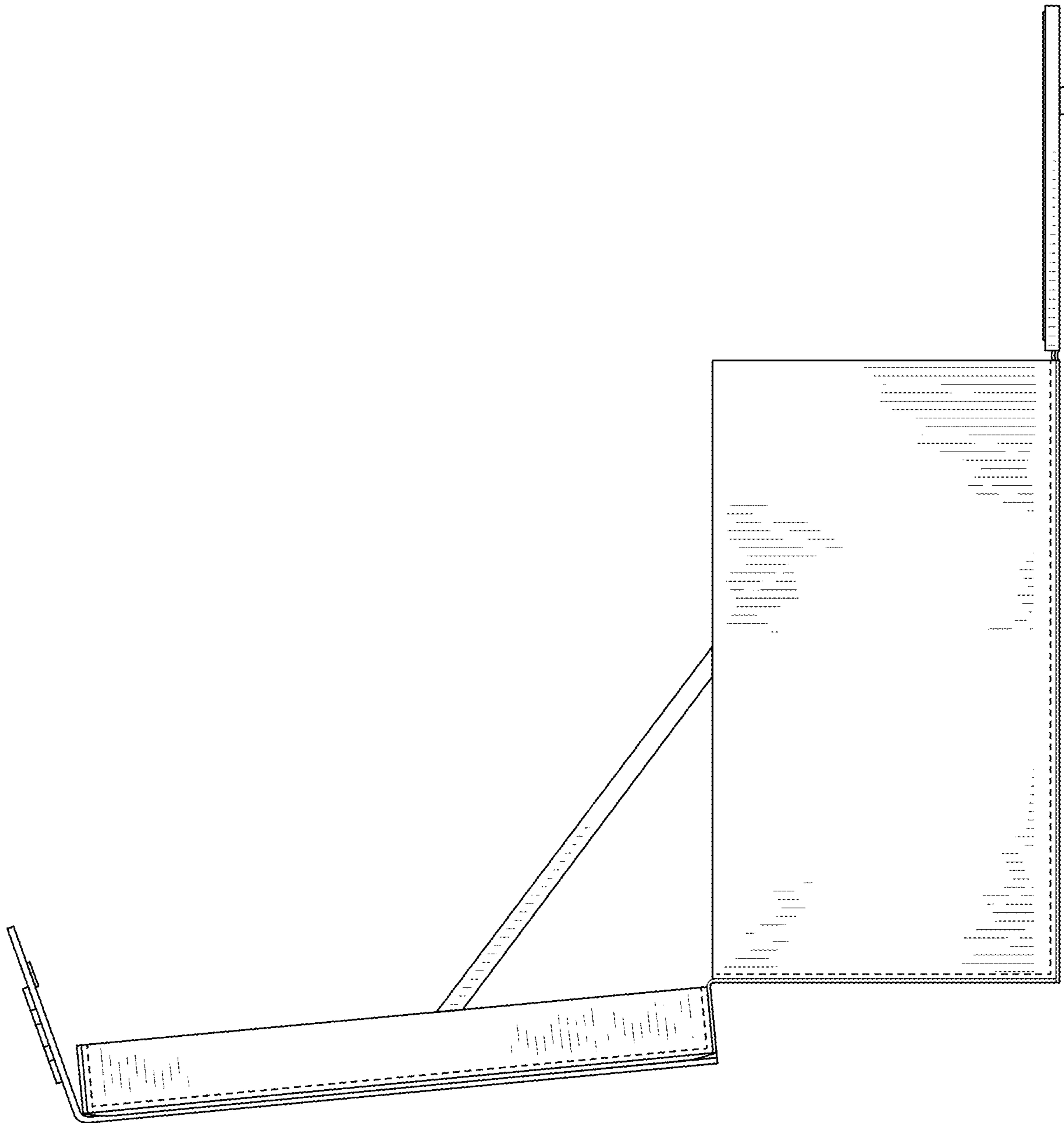


FIG. 9

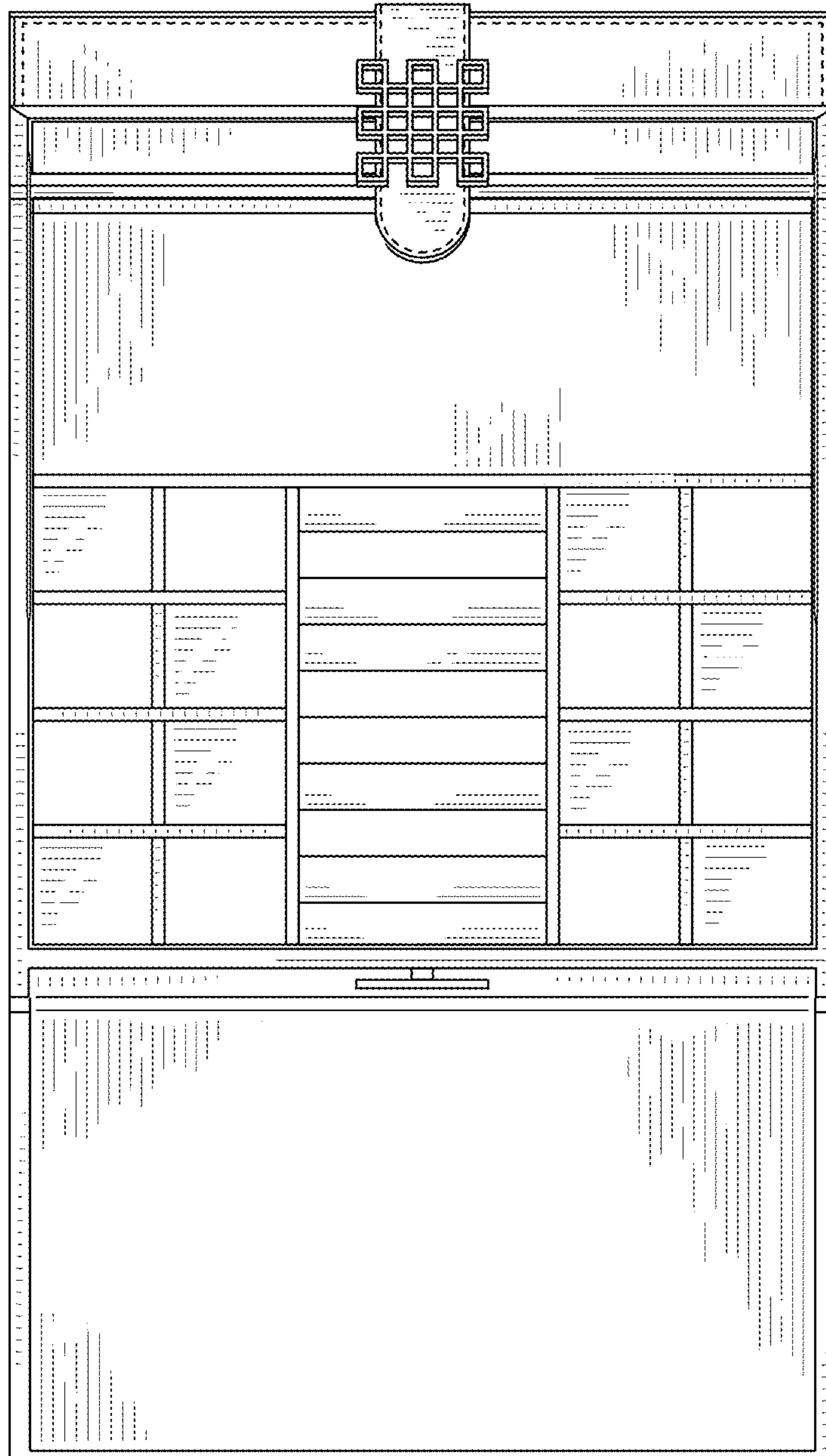


FIG. 10

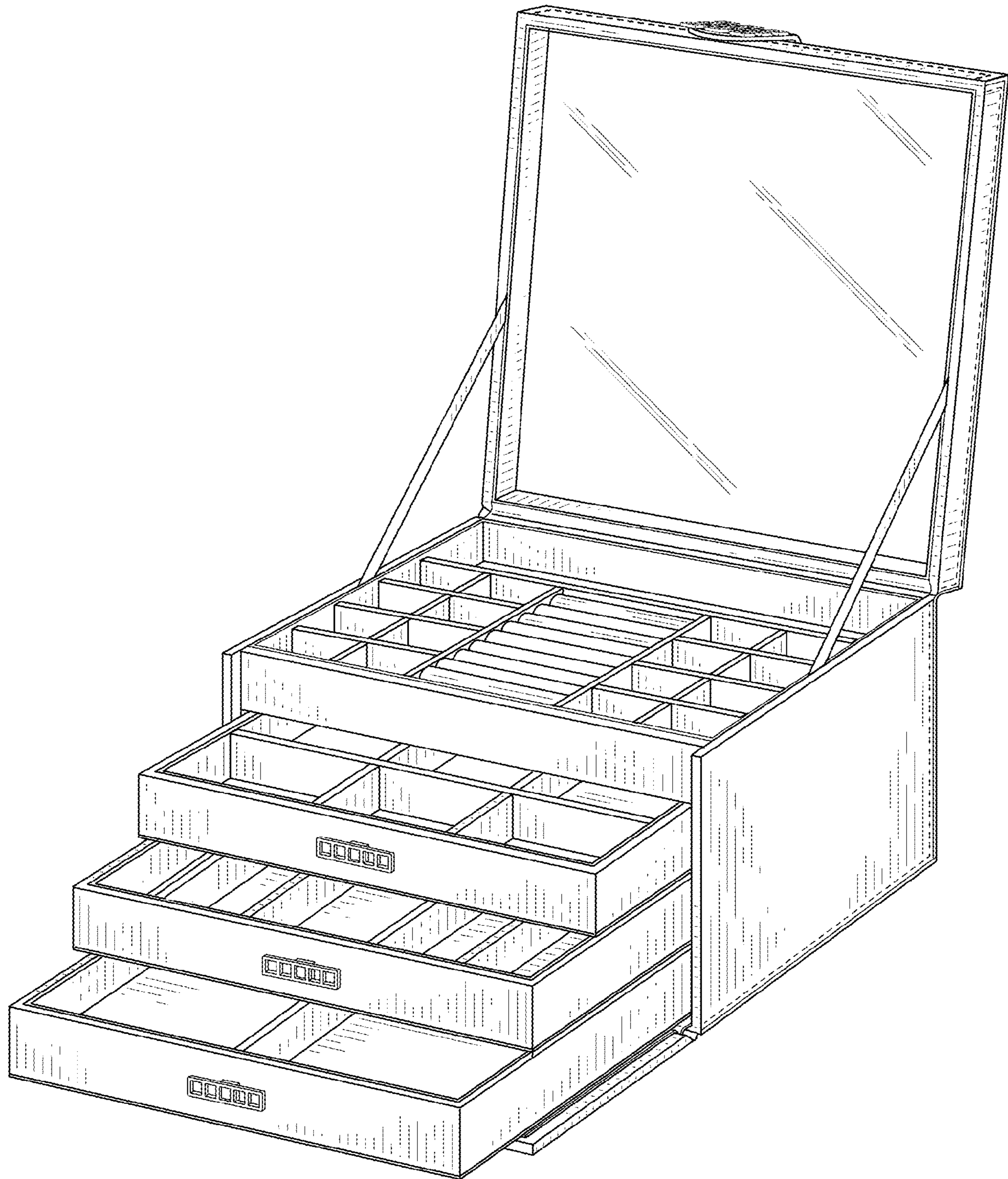
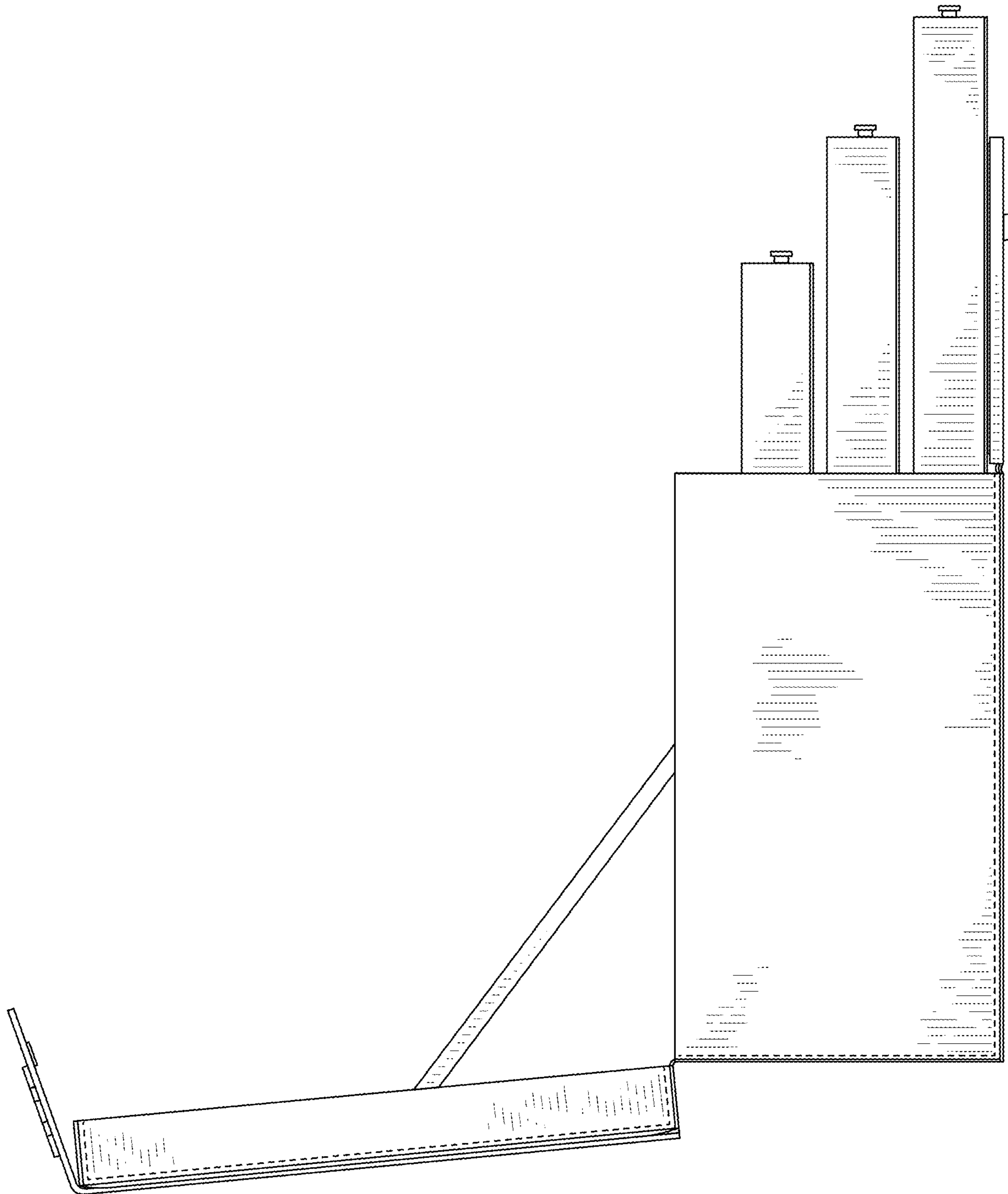


FIG. 11

FIG. 12



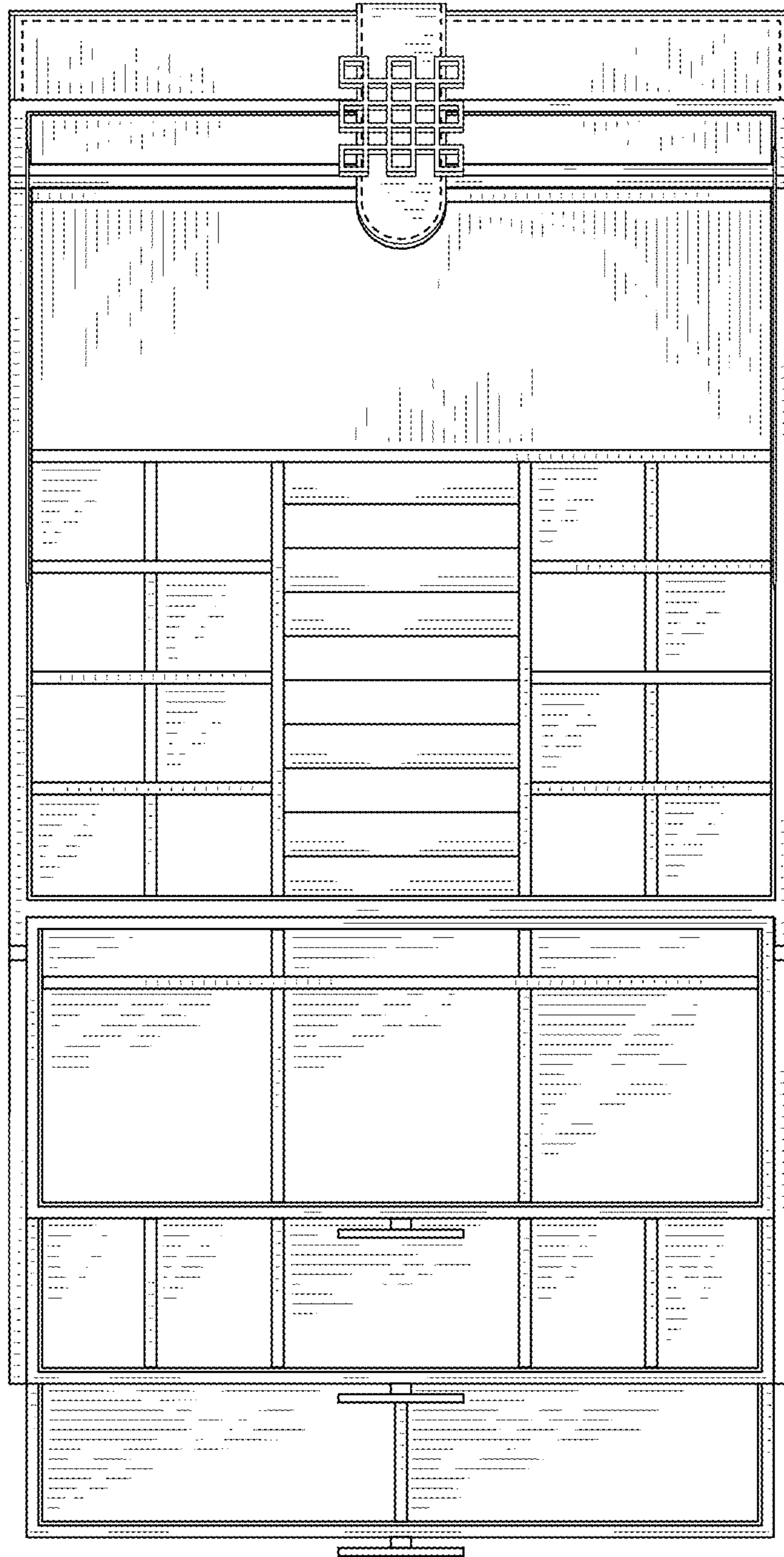


FIG. 13