



US00D878111S

(12) **United States Design Patent**
Song

(10) **Patent No.:** **US D878,111 S**

(45) **Date of Patent:** **** Mar. 17, 2020**

(54) **DOOR MIRROR WITH ORGANIZER**

(71) Applicant: **AMEZIEL INC**, Ontario, CA (US)

(72) Inventor: **Chuan Song**, Zhengzhou (CN)

(**) Term: **15 Years**

(21) Appl. No.: **29/618,552**

(22) Filed: **Sep. 21, 2017**

(51) **LOC (12) Cl.** **06-01**

(52) **U.S. Cl.**
USPC **D6/663**

(58) **Field of Classification Search**

USPC D6/663, 553, 300, 321, 524, 525, 534,
D6/566, 536, 540, 512-514, 559, 664,
D6/664.1, 667, 668, 668.1, 668.2, 671,
D6/671.1, 671.2; 206/557, 6.1; 248/301,
248/302; 211/13.1, 41.3, 41.4, 86.01,
211/88.01, 134, 126.1, 181.1, 85.2;
D8/350-353; 220/485, 488; D3/304,
D3/306, 294, 295, 296; 312/107, 108,
(Continued)

(56) **References Cited**

U.S. PATENT DOCUMENTS

D262,844 S * 2/1982 Richardson D3/284
D544,275 S * 6/2007 Tanus D6/555
D592,435 S * 5/2009 Jasman D6/555
(Continued)

OTHER PUBLICATIONS

Songmics website, Frameless Mirro Jewelry Armoire, Jan. 7, 2018,
<https://www.songmics.com/frameless-mirro-jewelry-armoires-ujbc66nl.html> (Year: 2018).*

Primary Examiner — Nathan M Johnston

(74) *Attorney, Agent, or Firm* — Tsz Lung Yeung

(57) **CLAIM**

The ornamental design for a door mirror with organizer, as shown and described.

DESCRIPTION

FIG. 1 is a perspective view of a door mirror with organizer showing my new design.

FIG. 2 is a front view thereof.

FIG. 3 is a rear view thereof.

FIG. 4 is a right end view thereof.

FIG. 5 is a left end view thereof.

FIG. 6 is a top view thereof.

FIG. 7 is a bottom view thereof.

FIG. 8 is perspective view thereof, showing an open position.

FIG. 9 is a rear view of FIG. 8.

FIG. 10 a front view of FIG. 8.

FIG. 11 is a right end view of FIG. 8.

FIG. 12 is a left end view of FIG. 8.

FIG. 13 is a top view of FIG. 8.

FIG. 14 is a bottom view of FIG. 8.

FIG. 15 is a perspective view of another embodiment of a door mirror with organizer showing my new design.

FIG. 16 is a front view thereof.

FIG. 17 is a rear view thereof.

FIG. 18 is a right end view thereof.

FIG. 19 is a left end view thereof.

FIG. 20 is a top view thereof.

FIG. 21 is a bottom view thereof.

FIG. 22 is perspective view thereof, showing an open position.

FIG. 23 is a rear view of FIG. 22.

FIG. 24 a front view of FIG. 22.

FIG. 25 is a right end view of FIG. 22.

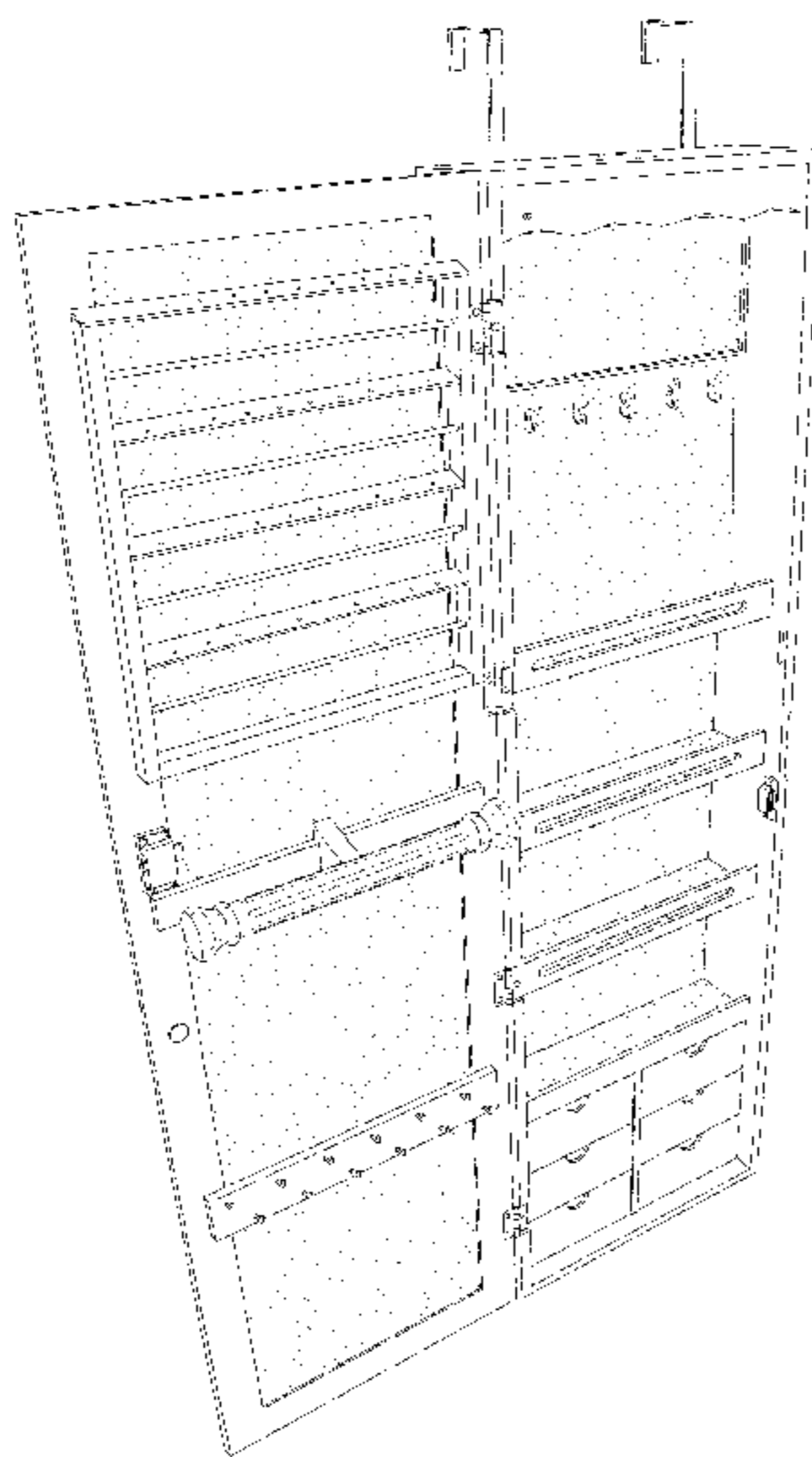
FIG. 26 is a left end view of FIG. 22.

FIG. 27 is a top view of FIG. 22; and,

FIG. 28 is a bottom view of FIG. 22.

The broken lines in the drawings represent unclaimed portions of the claimed design and form no part of the claim.

1 Claim, 20 Drawing Sheets



(58) **Field of Classification Search**

USPC 312/109, 114, 138.1, 204, 224, 237,
312/257.1, 321.5

CPC B60R 1/006; A45D 42/08; A47G 1/00;
A47G 1/02; A47G 1/16; A47B 43/003;
A47B 97/00; A47B 57/26; A47K 3/281

See application file for complete search history.

(56) **References Cited**

U.S. PATENT DOCUMENTS

D609,955 S *	2/2010	Parker	D6/570
D632,115 S *	2/2011	Gibbs	D6/555
D672,574 S *	12/2012	Wilson, Jr.	D6/663
D679,125 S *	4/2013	Livernois	D6/663
D707,989 S *	7/2014	Bezborodko	D6/663
D707,990 S *	7/2014	Bezborodko	D6/663
D712,686 S *	9/2014	Day	D6/663
D712,687 S *	9/2014	Arie	D6/663
D728,263 S *	5/2015	Carey	D6/555
D774,796 S *	12/2016	Larsh	D6/514

* cited by examiner

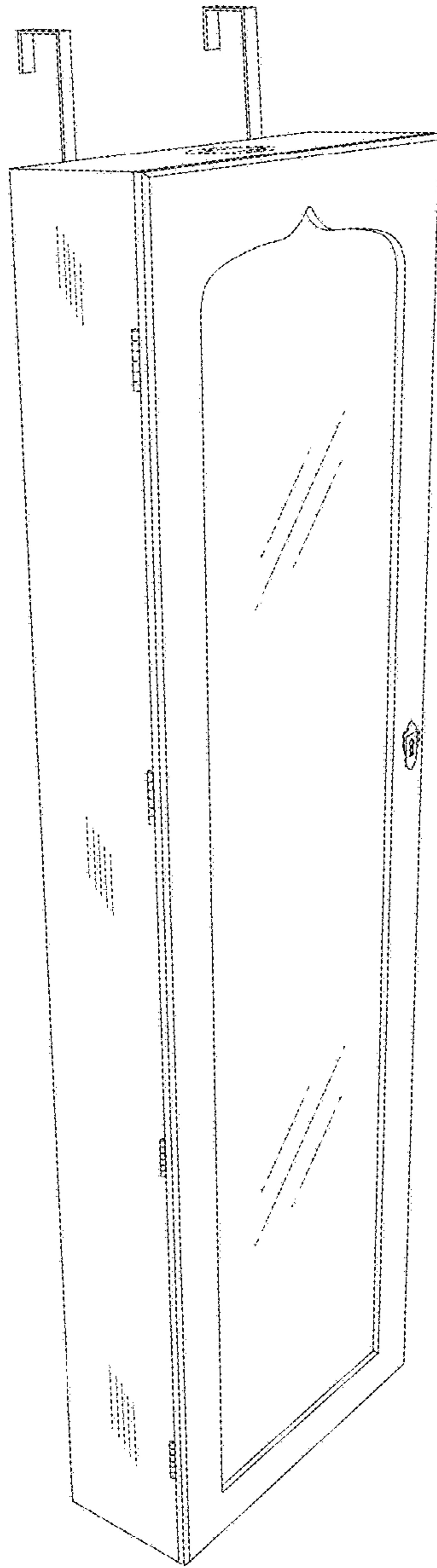


FIG. 1

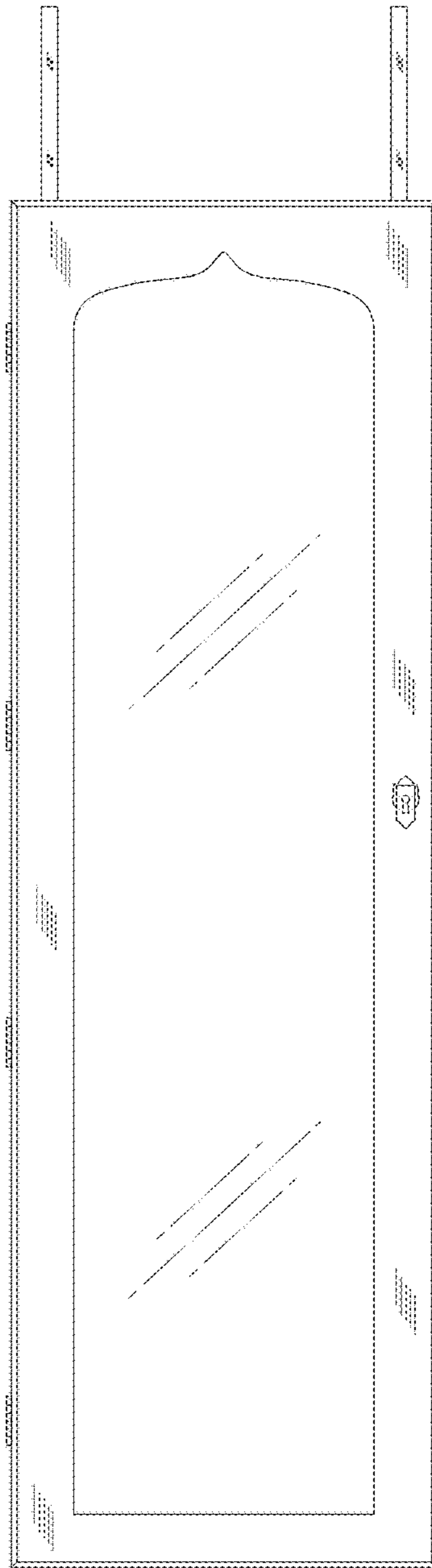


FIG. 2

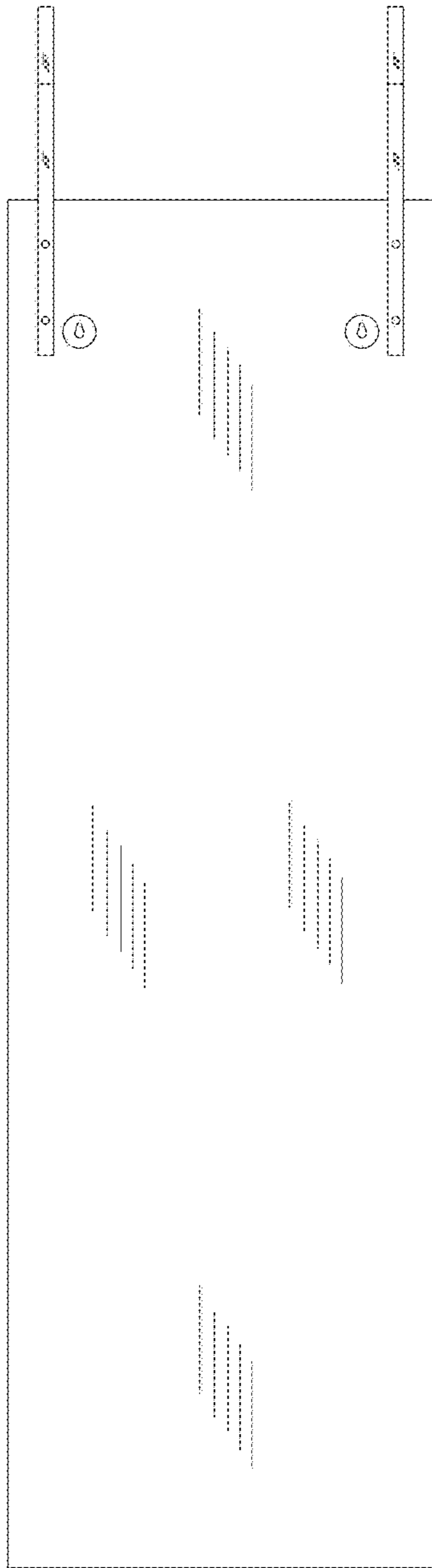


FIG. 3

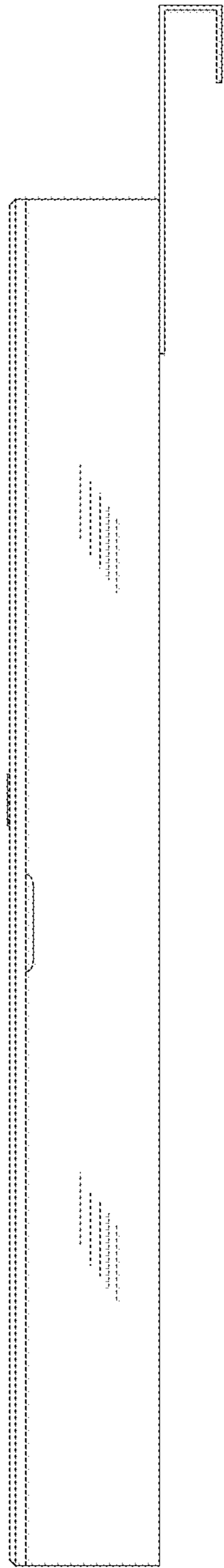


FIG. 4

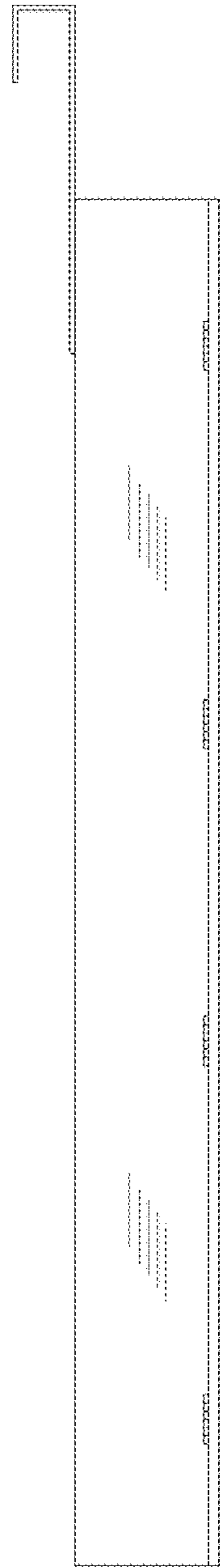


FIG. 5

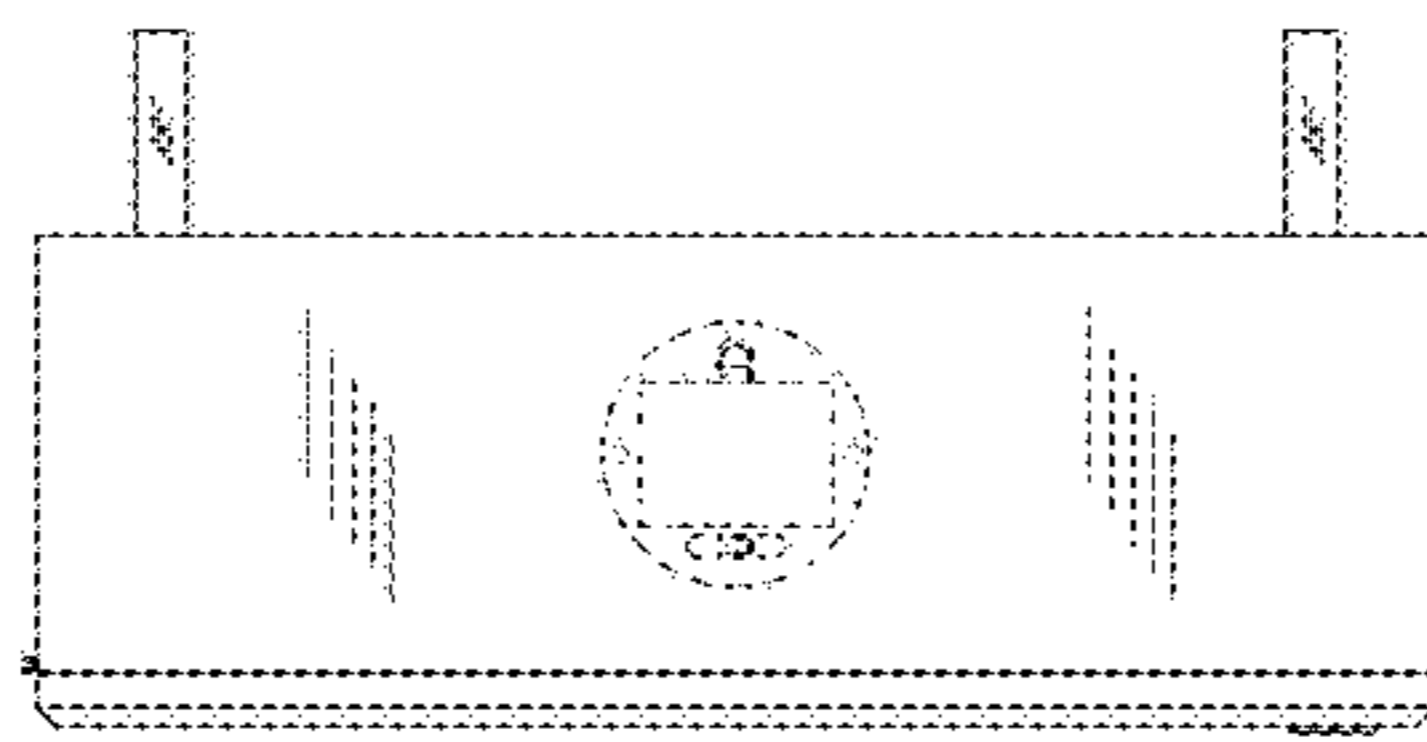


FIG. 6

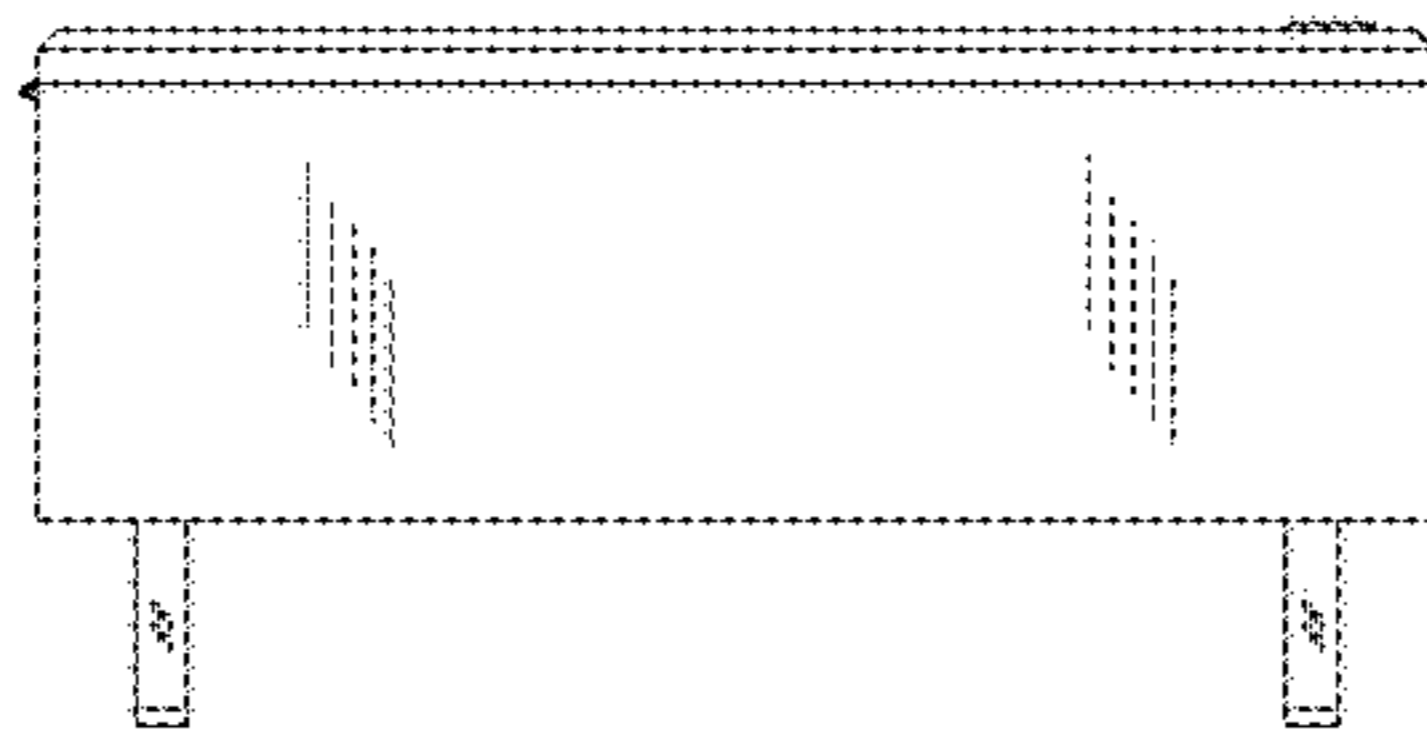
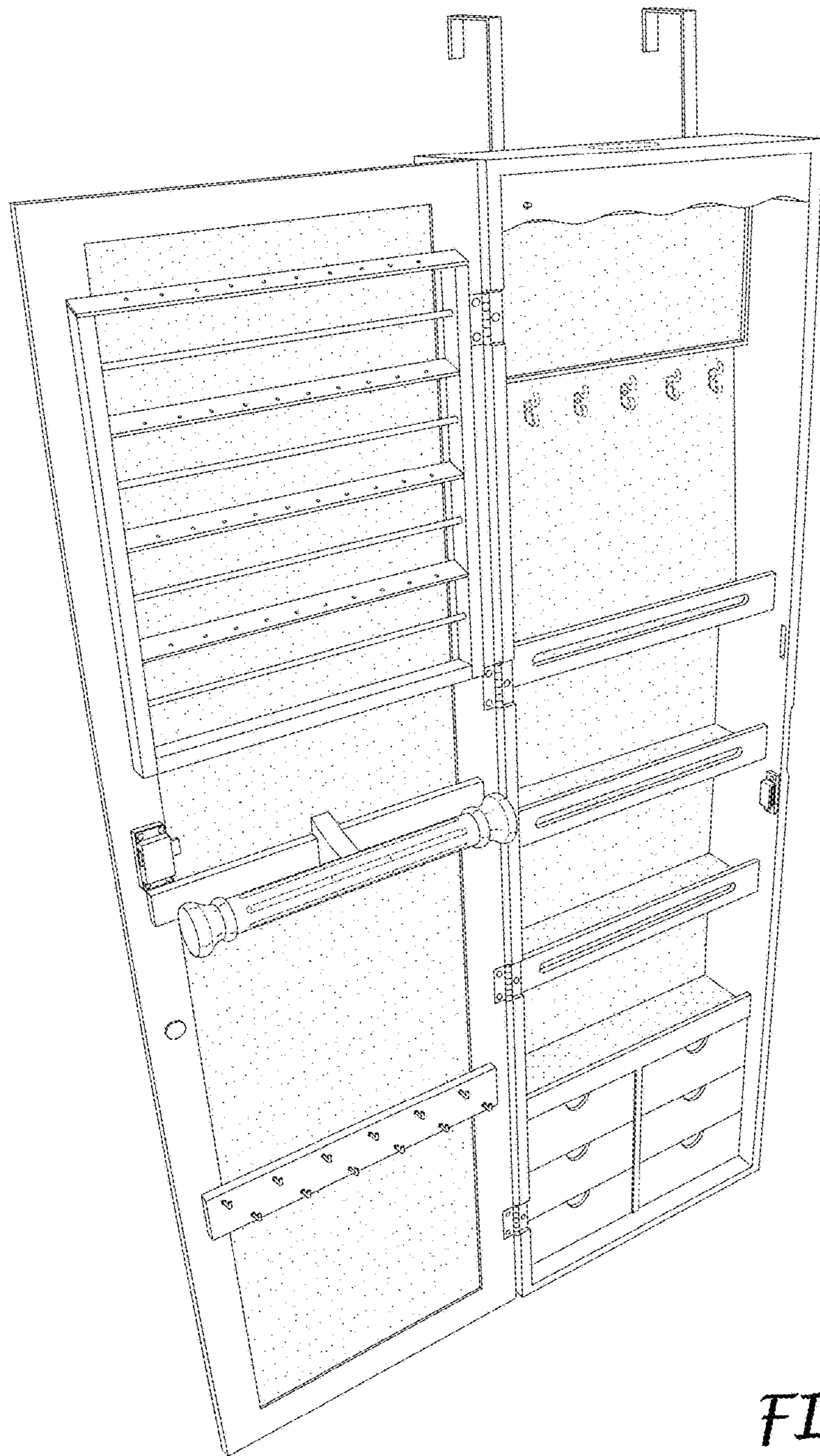


FIG. 7



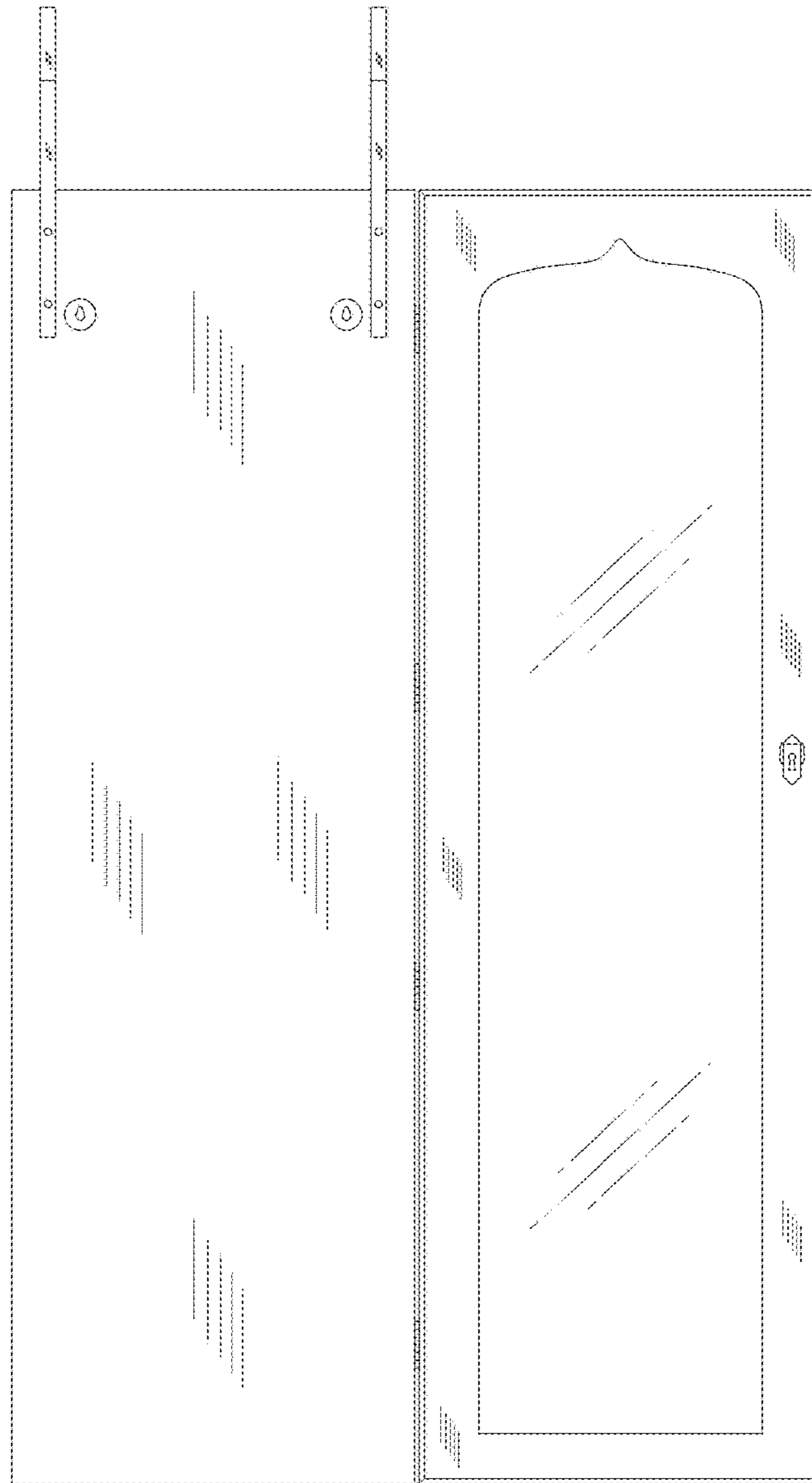


FIG. 9

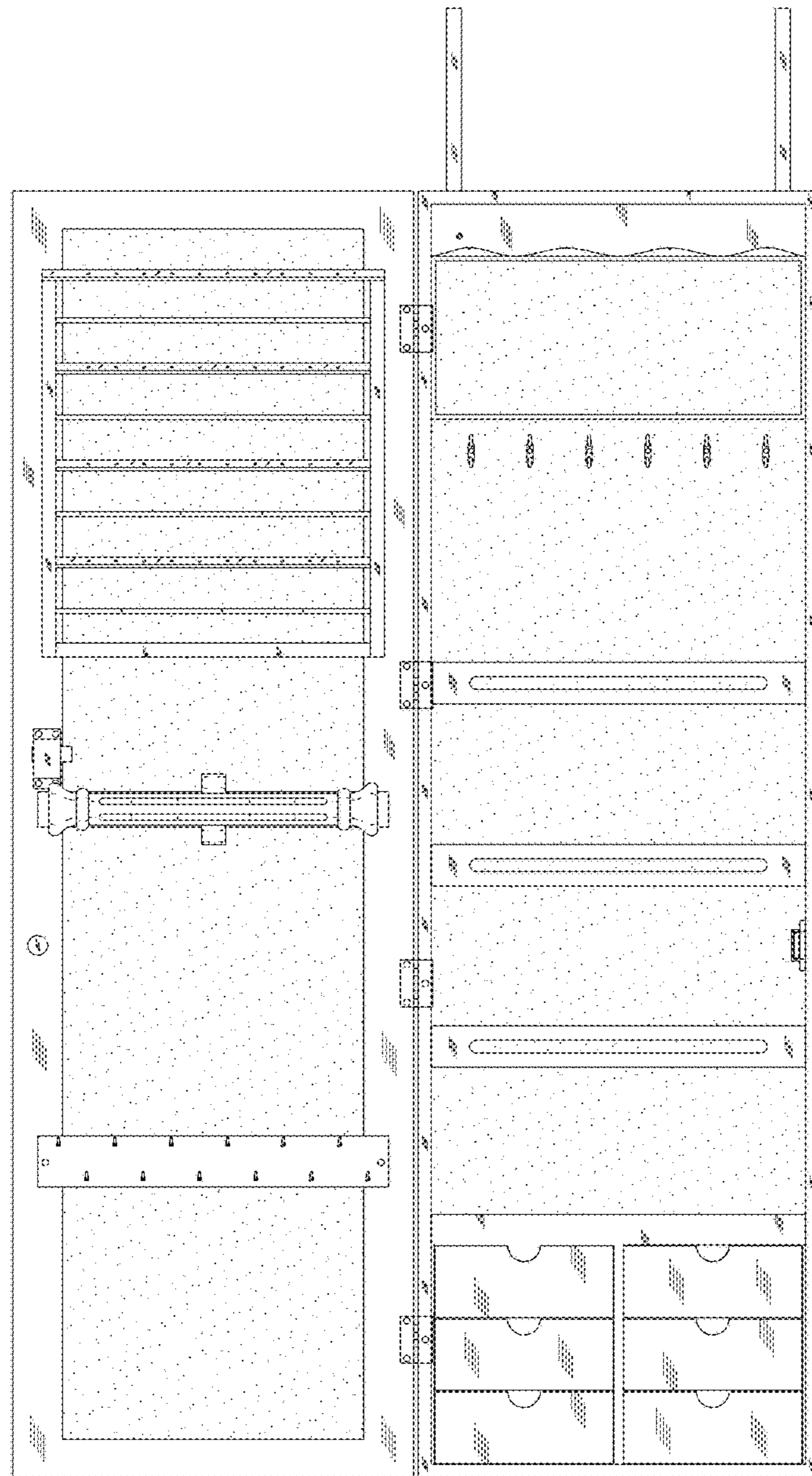


FIG.10

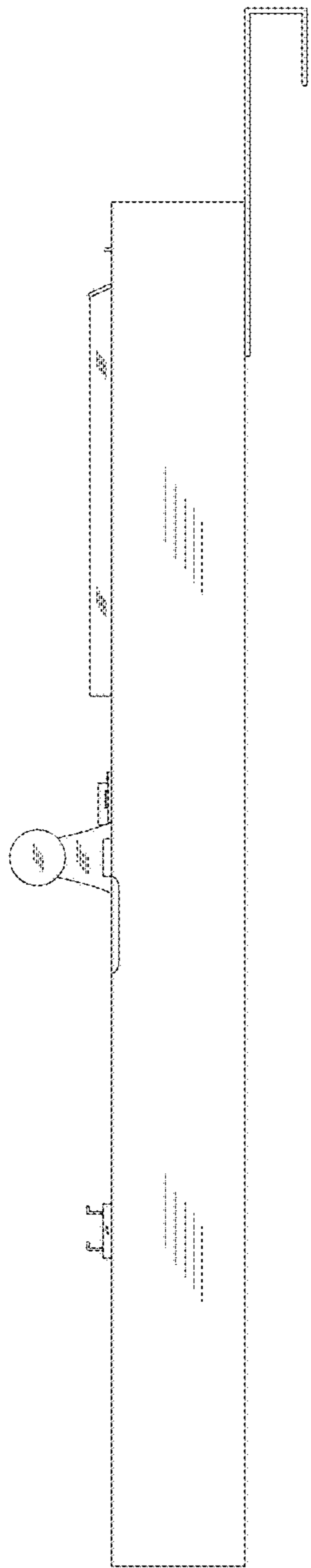


FIG. 11

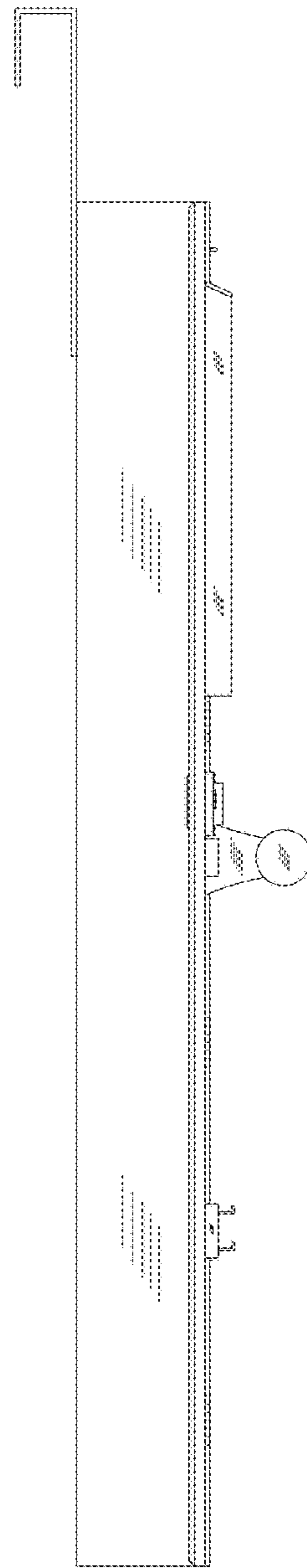


FIG. 12

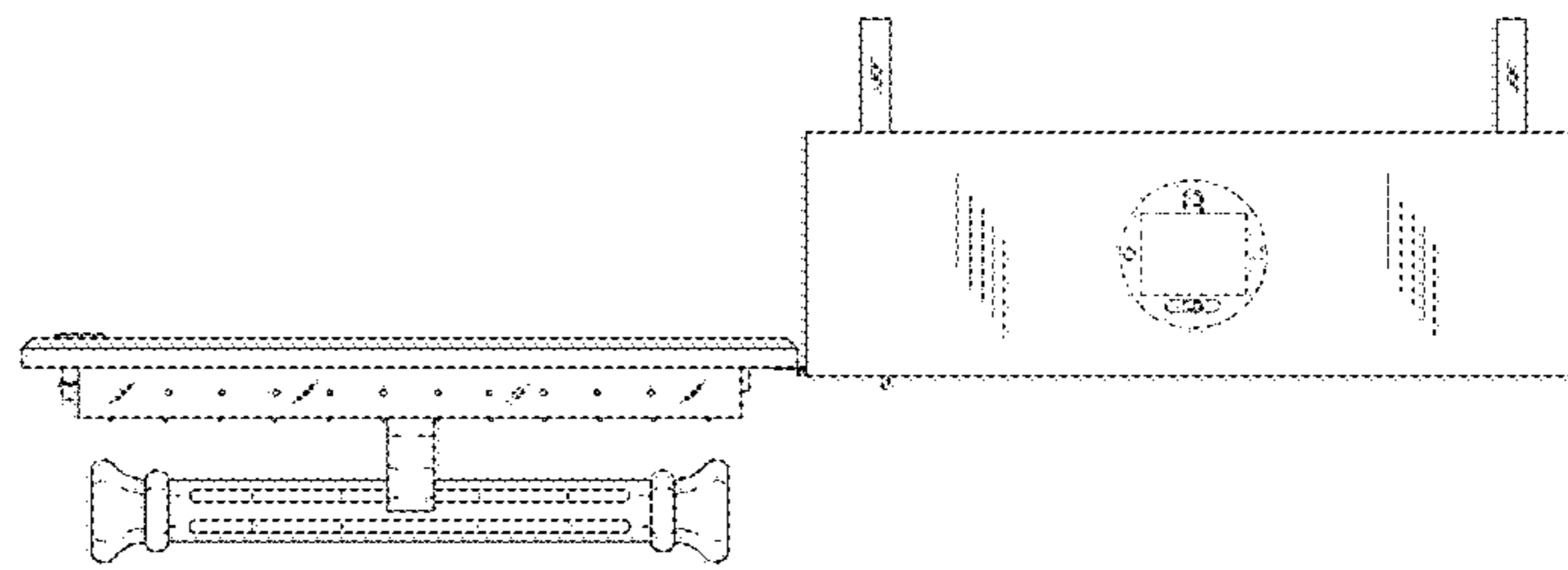


FIG. 13

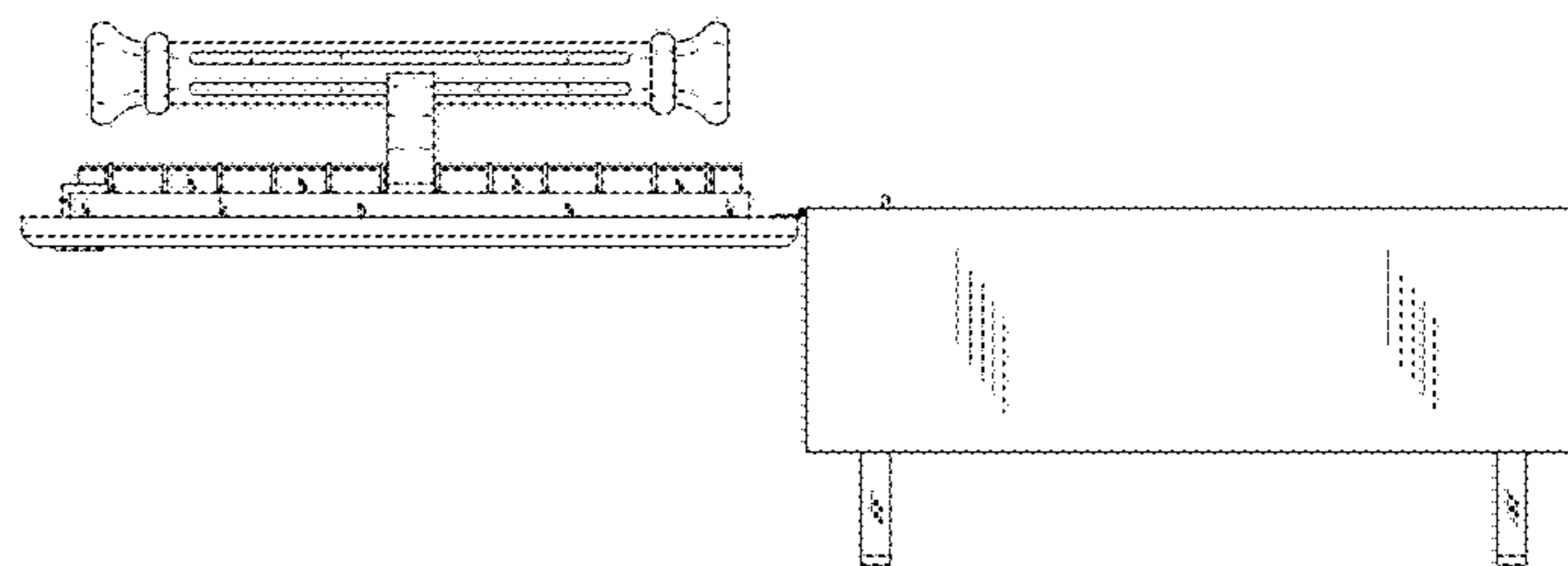


FIG. 14

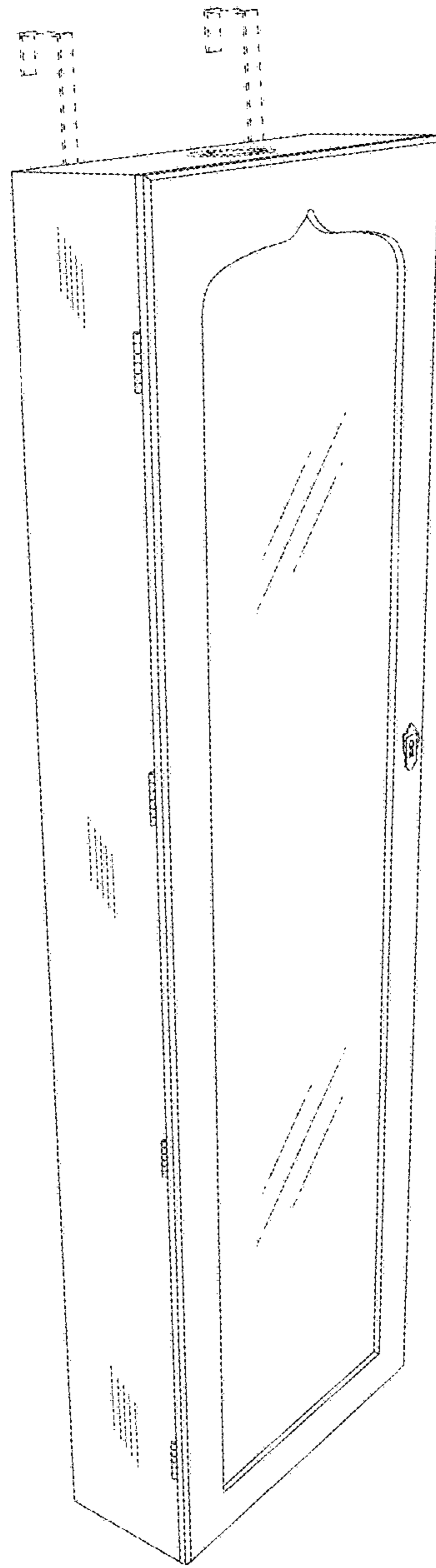


FIG.15

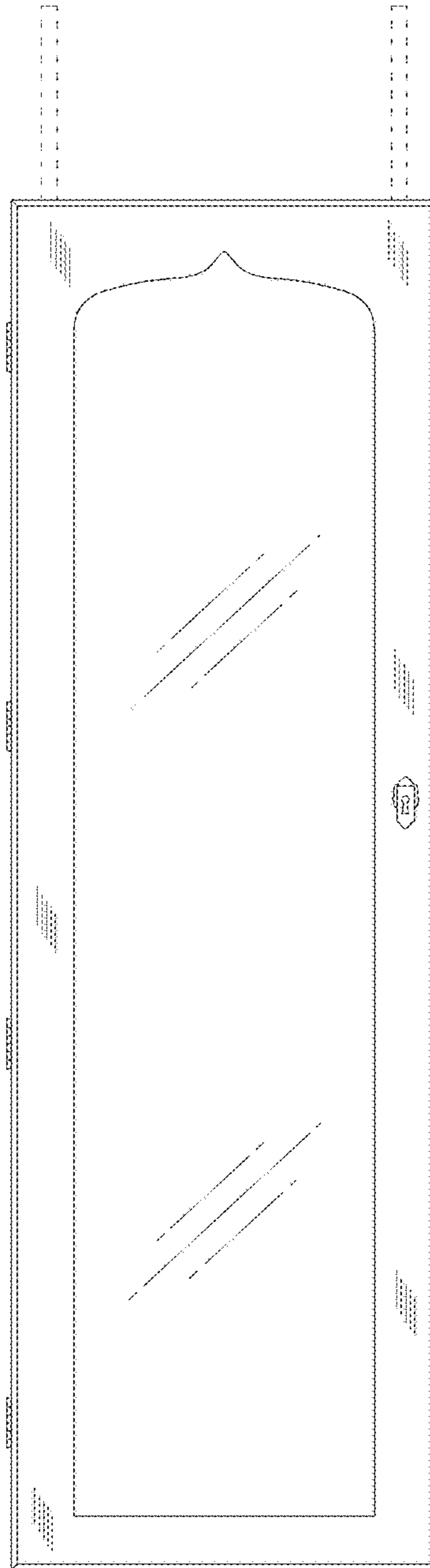


FIG. 16

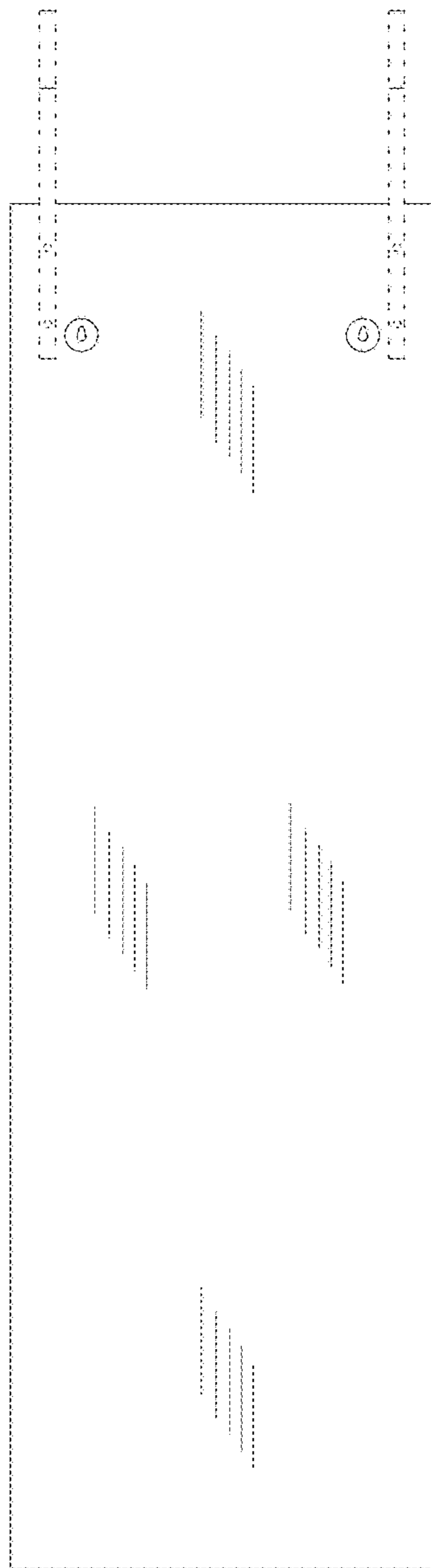


FIG. 17

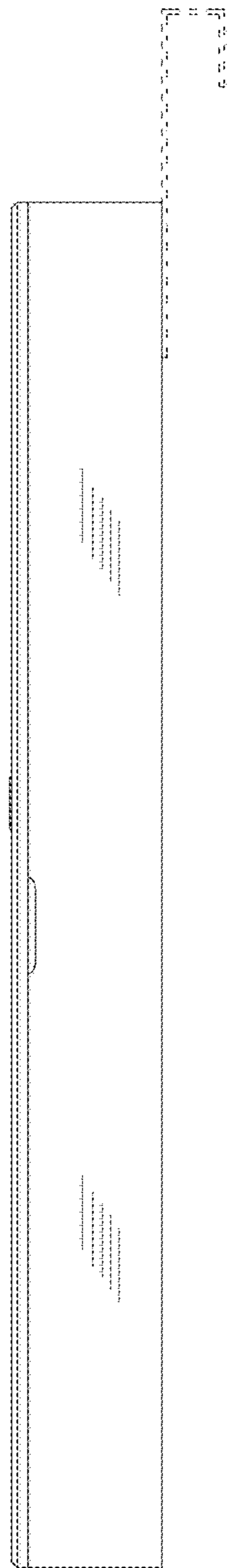


FIG. 18

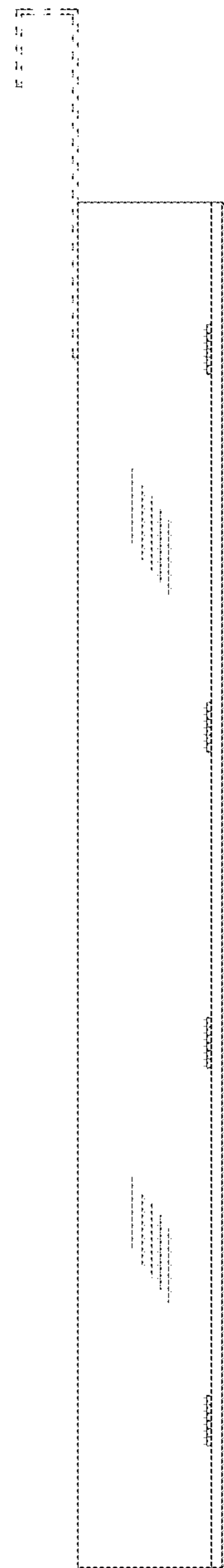


FIG. 19

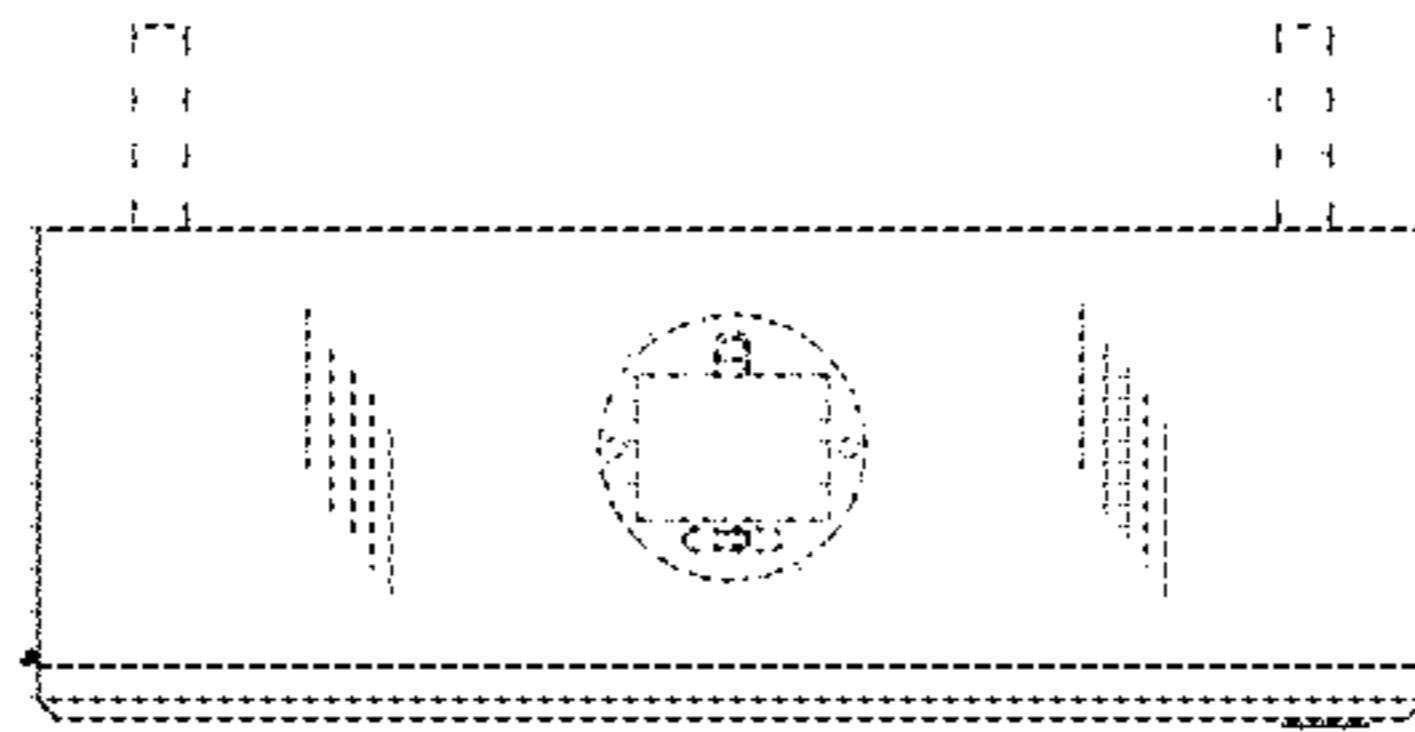


FIG. 20

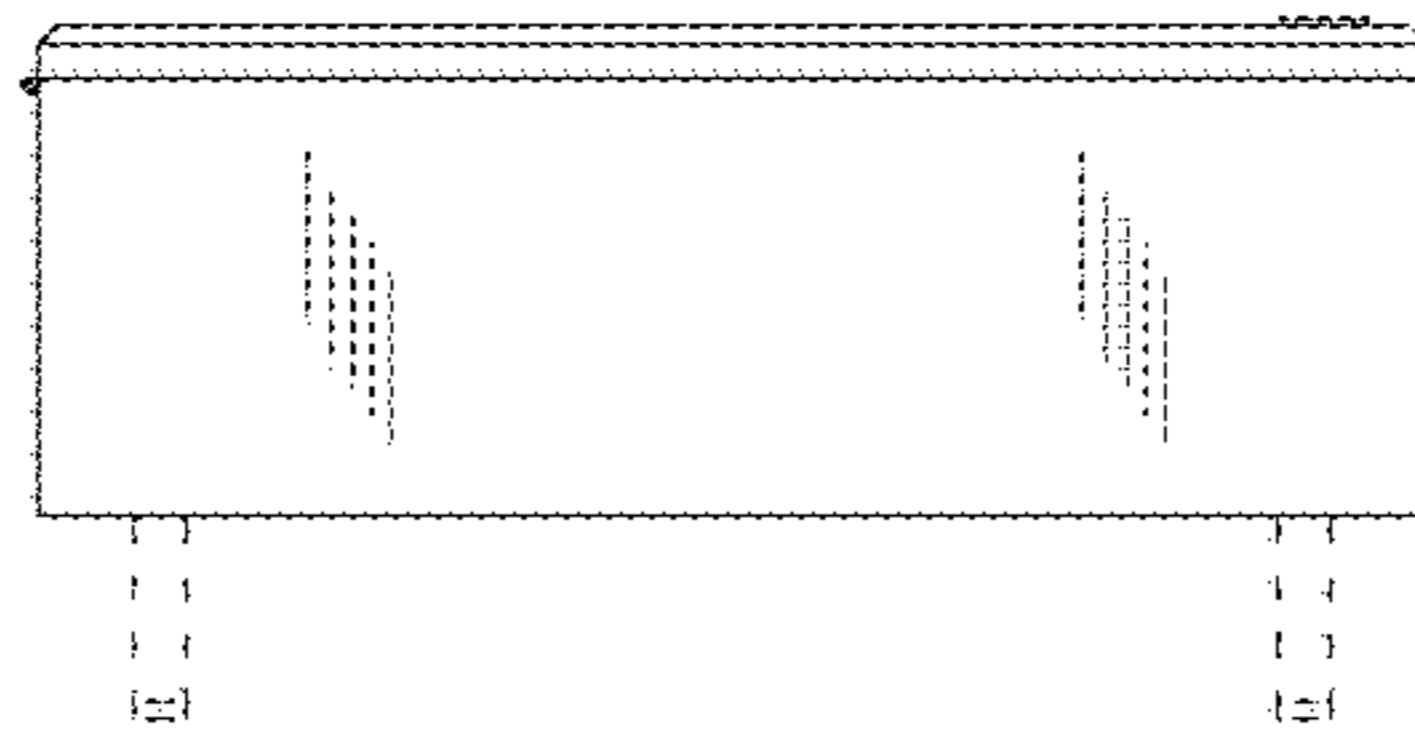


FIG. 21

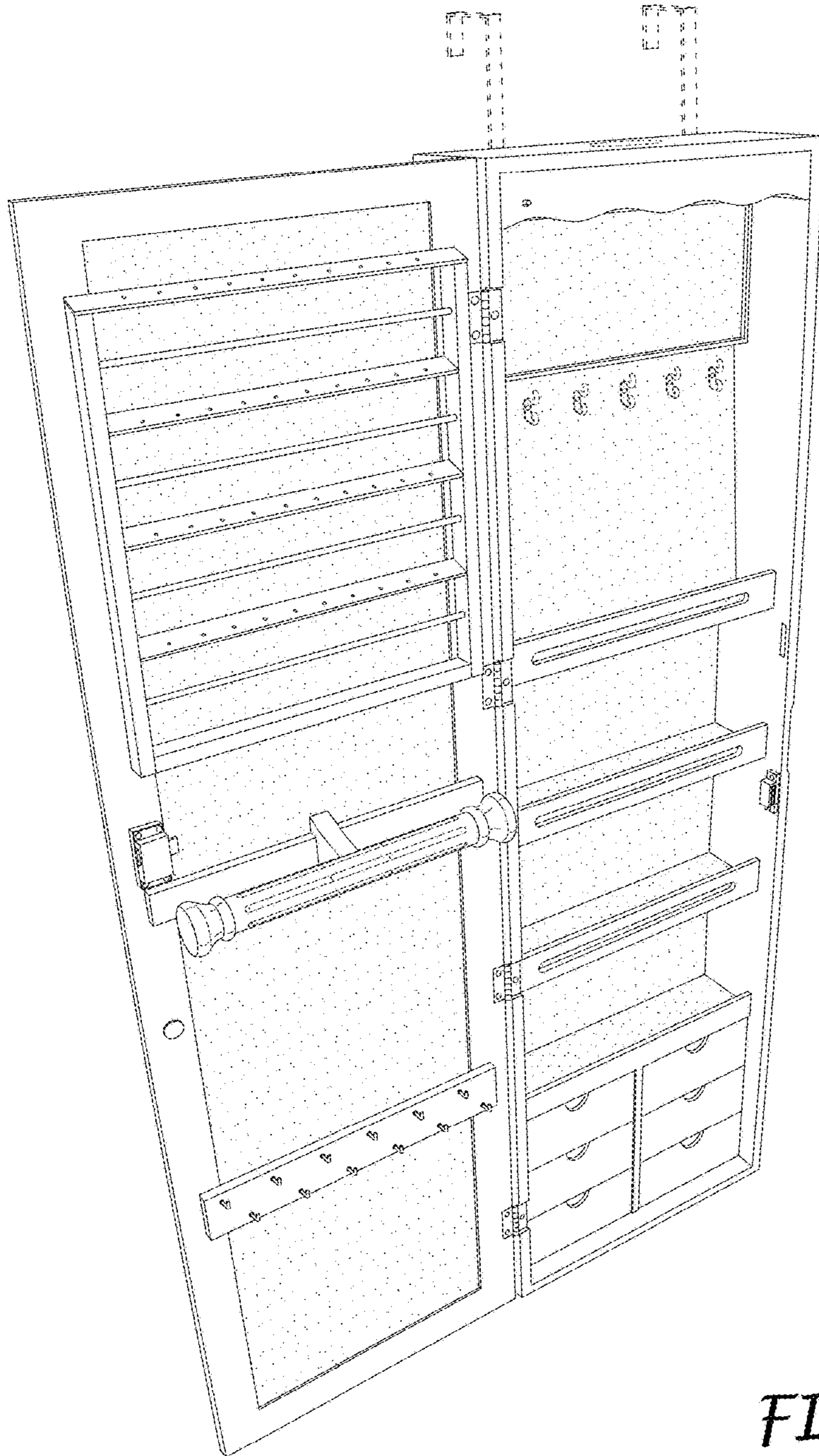


FIG. 22

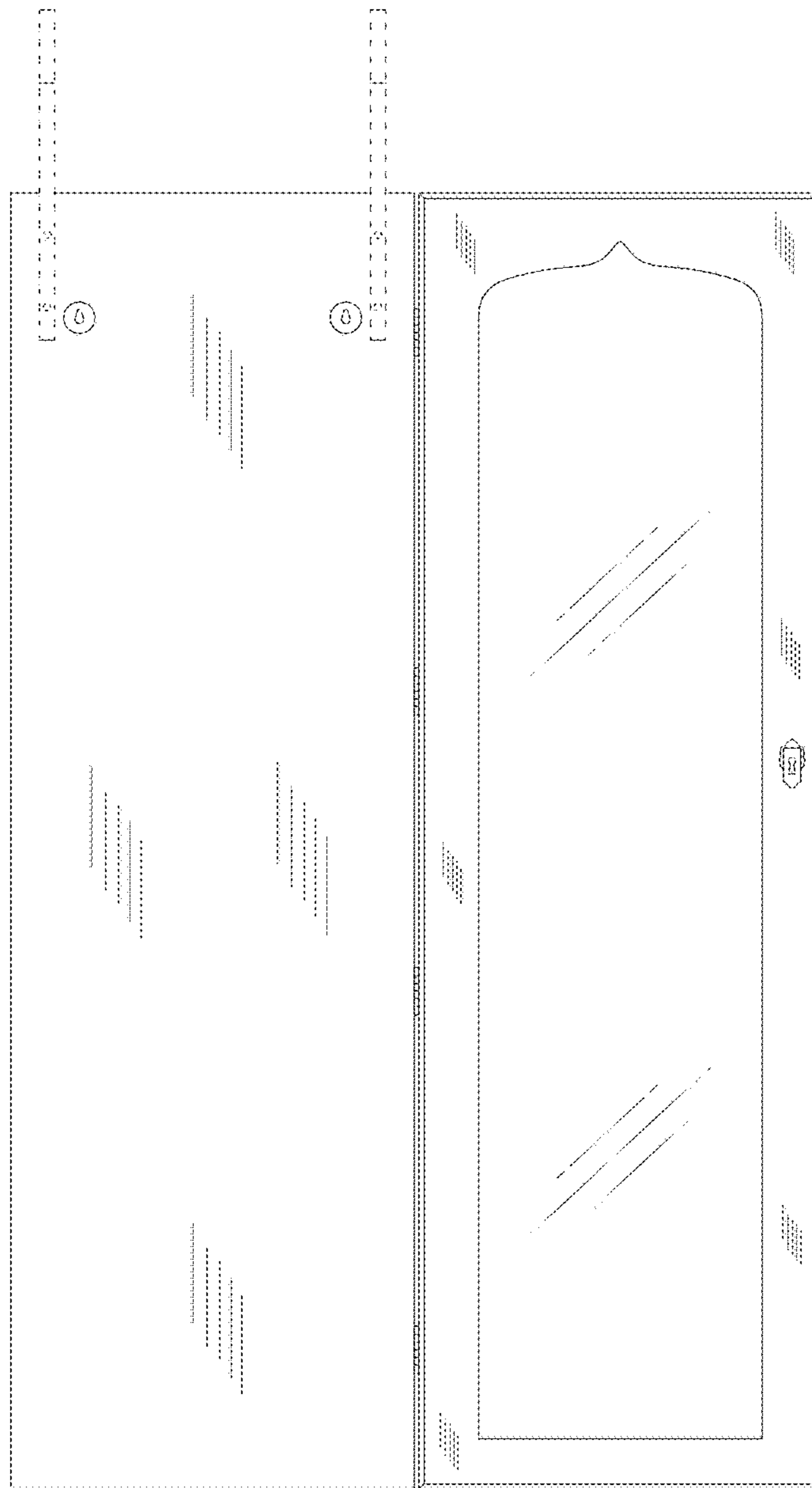


FIG. 23

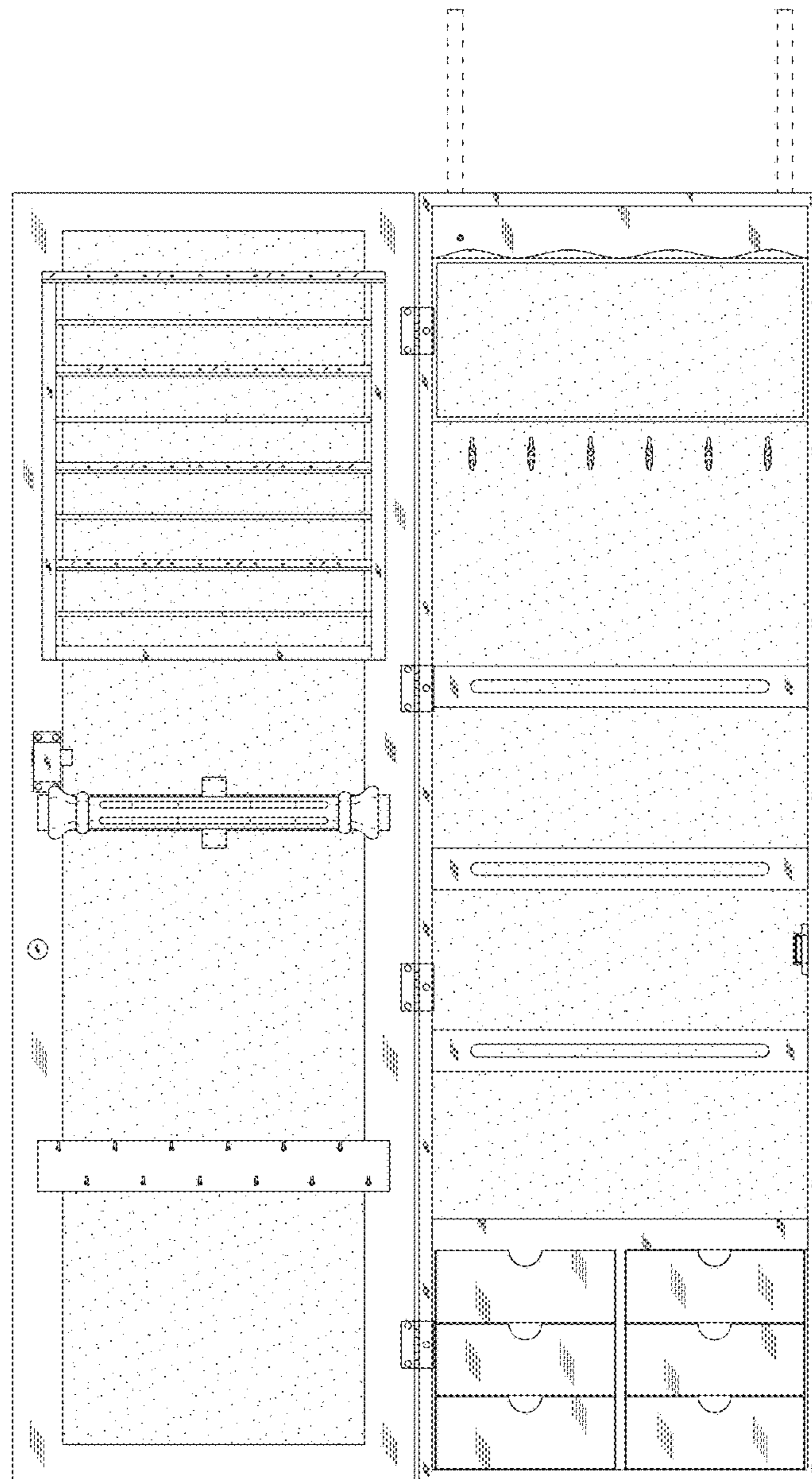


FIG.24

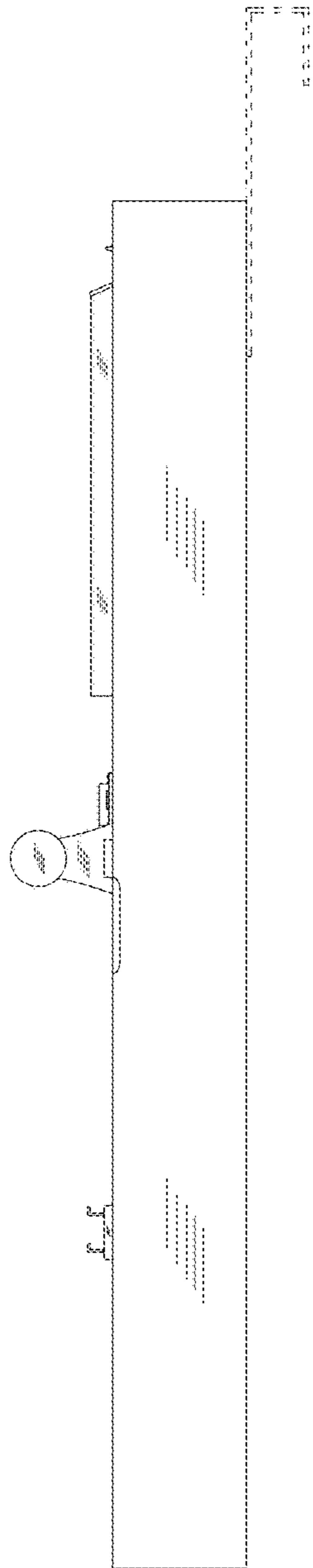


FIG. 25

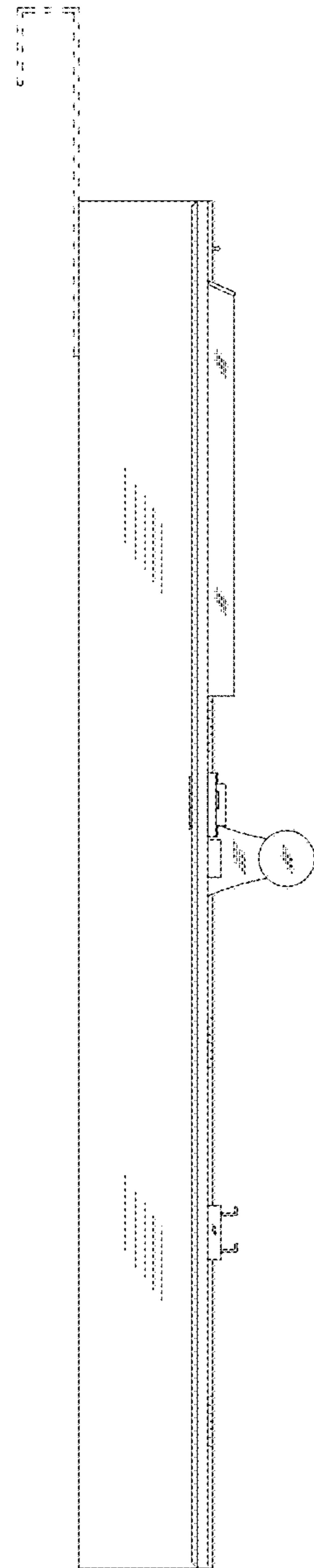


FIG. 26

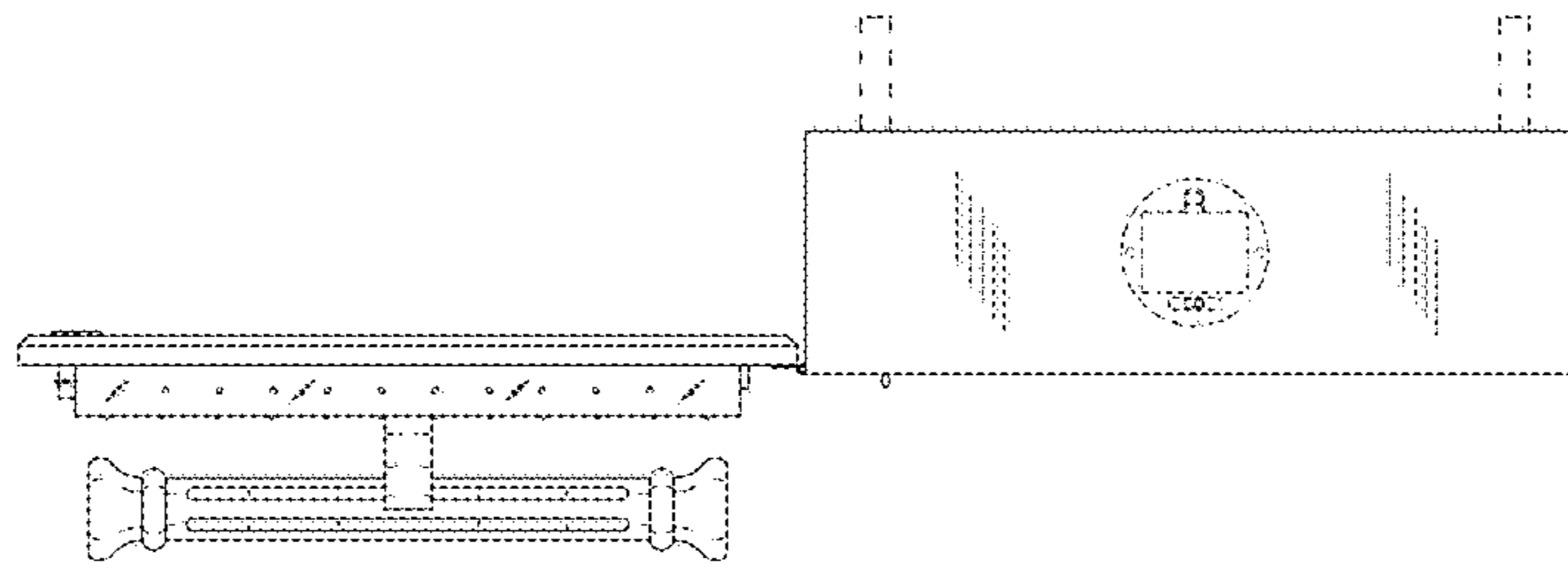


FIG. 27

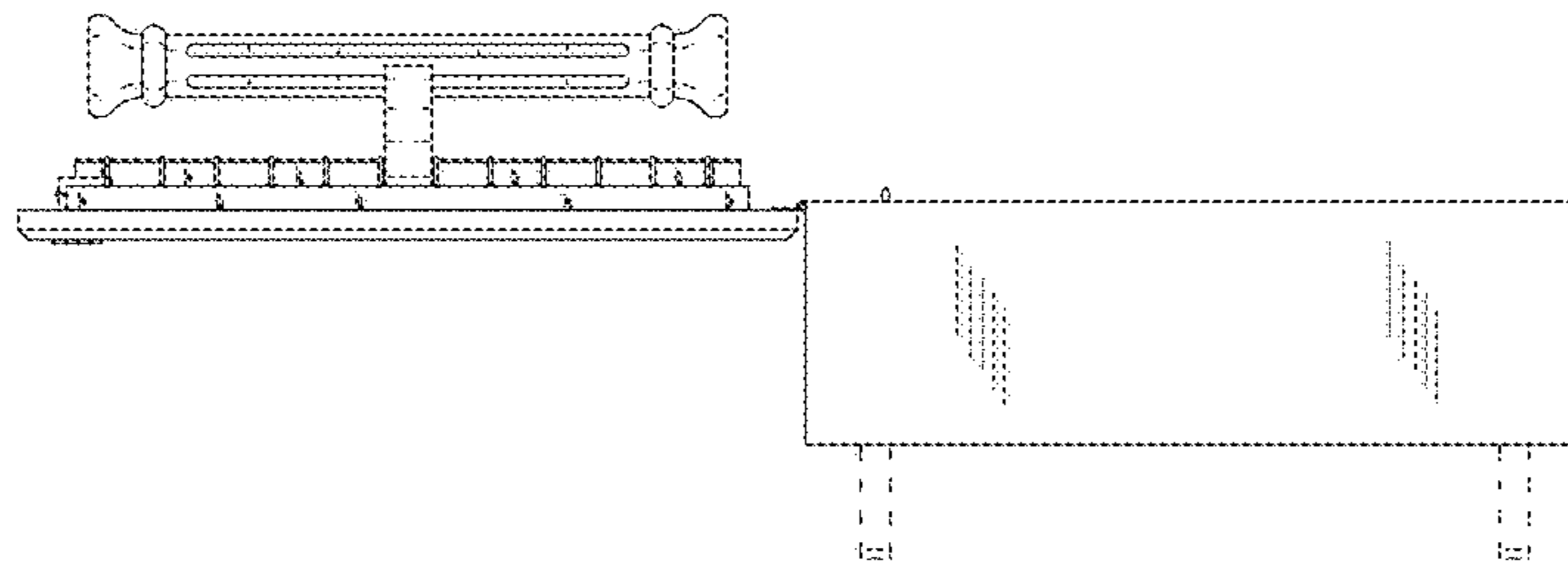


FIG. 28