



US00D878110S

(12) **United States Design Patent** (10) **Patent No.:** **US D878,110 S**
Pei (45) **Date of Patent:** **** Mar. 17, 2020**

(54) **LIFTING DESK**
(71) Applicant: **Xu Bo Pei**, Shenzhen (CN)
(72) Inventor: **Xu Bo Pei**, Shenzhen (CN)
(**) Term: **15 Years**
(21) Appl. No.: **29/639,507**
(22) Filed: **Mar. 7, 2018**

(30) **Foreign Application Priority Data**

Feb. 1, 2018 (CN) 2018 3 0047845

(51) **LOC (12) Cl.** **06-03**

(52) **U.S. Cl.**
USPC **D6/643**

(58) **Field of Classification Search**
USPC D6/641, 642, 643, 648, 648.1, 650,
D6/650.1, 655, 655.1, 655.14, 656, 656.1,
D6/656.11, 656.12, 656.13, 656.14,
D6/656.15, 656.16, 656.17, 656.18,
D6/656.19, 675, 686, 688.14, 688.15,
D6/691, 691.5, 691.6, 691.7, 697
CPC A47B 9/00; A47B 9/02; A47B 9/04; A47B
9/12; A47B 2200/0035; A47B 2200/005;
A47B 2200/0056

See application file for complete search history.

(56) **References Cited**

U.S. PATENT DOCUMENTS

D233,291 S * 10/1974 Frydman D6/656.1
D281,746 S * 12/1985 Koguma D6/656

D376,056 S * 12/1996 Kelly D6/643
D376,278 S * 12/1996 Zivari D6/643
D473,072 S * 4/2003 Seeley D14/447
D492,503 S * 7/2004 Gower D6/643
D493,041 S * 7/2004 Gower D6/643
D720,160 S * 12/2014 Lloyd D6/643
D796,871 S * 9/2017 Bouroullec D6/643
10,104,955 B2 * 10/2018 Keller A47B 3/002
D849,454 S * 5/2019 Webb D6/643
2017/0150811 A1 * 6/2017 Keller A47B 9/02

* cited by examiner

Primary Examiner — Mary Ann Calabrese

Assistant Examiner — Catherine Ho

(74) *Attorney, Agent, or Firm* — JCIPRNET

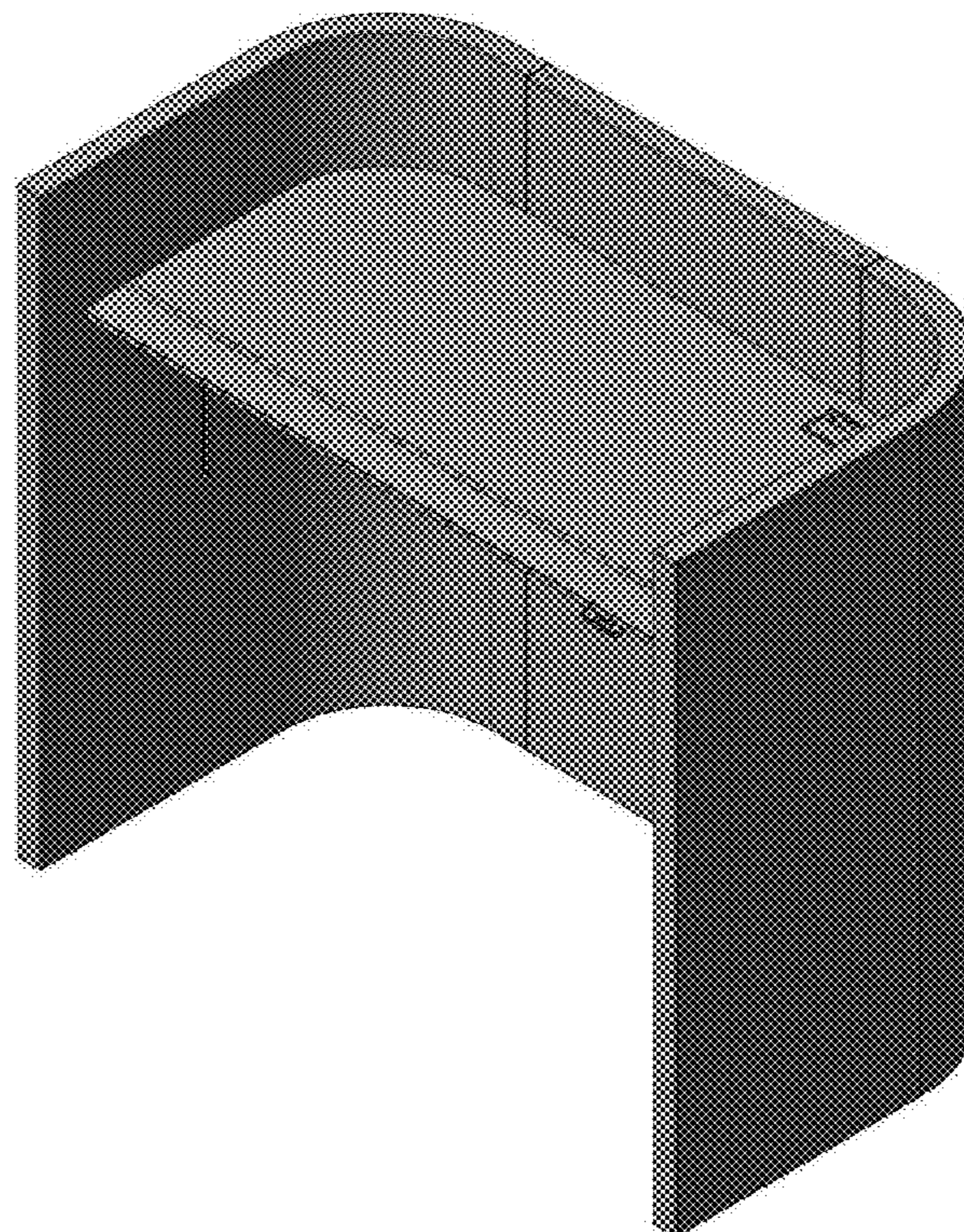
(57) **CLAIM**

The ornamental design for a lifting desk, as shown and described.

DESCRIPTION

FIG. 1 is a perspective view of a lifting desk showing my new design;
FIG. 2 is a front view thereof;
FIG. 3 is a rear view thereof;
FIG. 4 is a left side view thereof;
FIG. 5 is a right side view thereof;
FIG. 6 is a top view thereof; and,
FIG. 7 is a bottom view thereof.

1 Claim, 7 Drawing Sheets



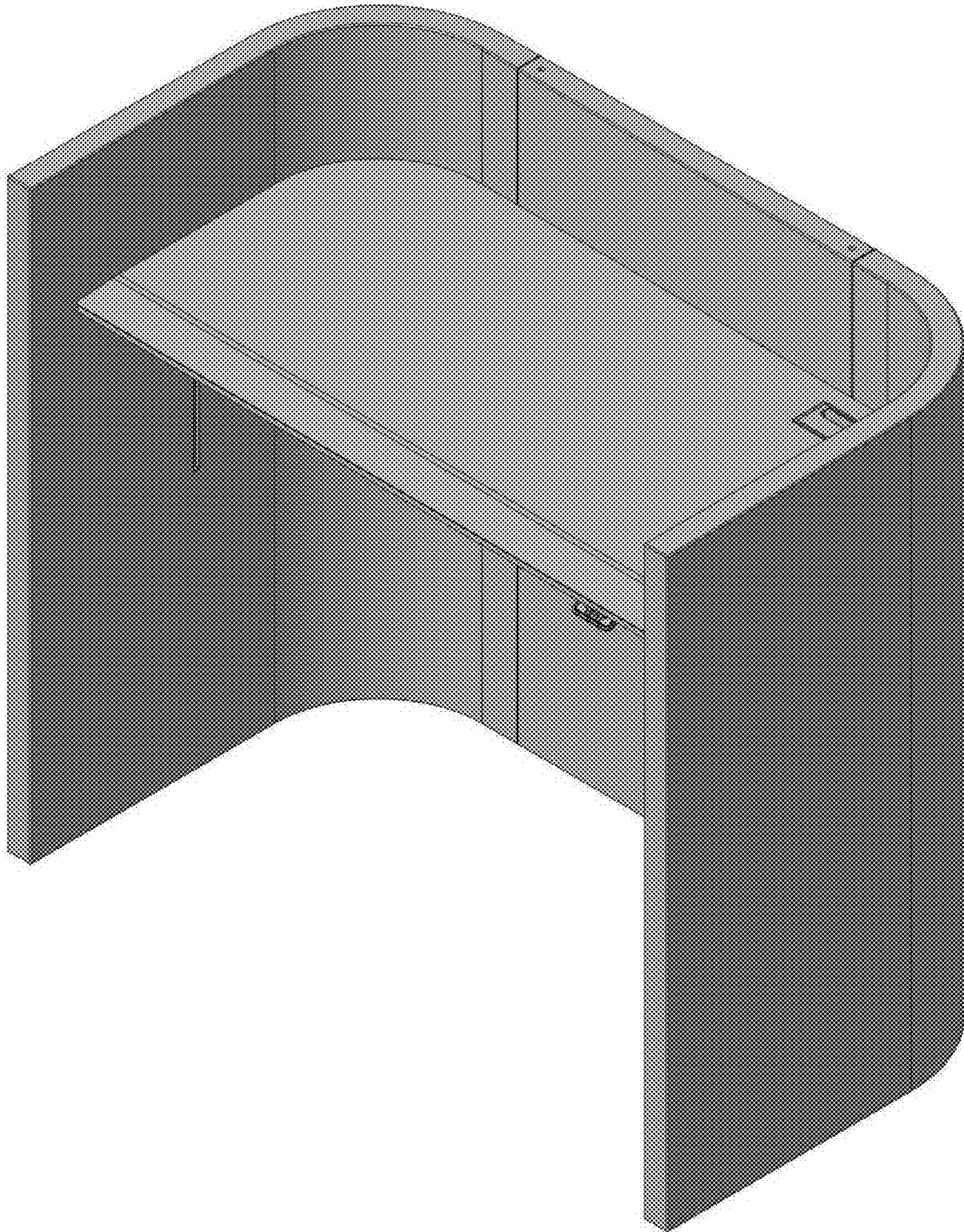


FIG. 1

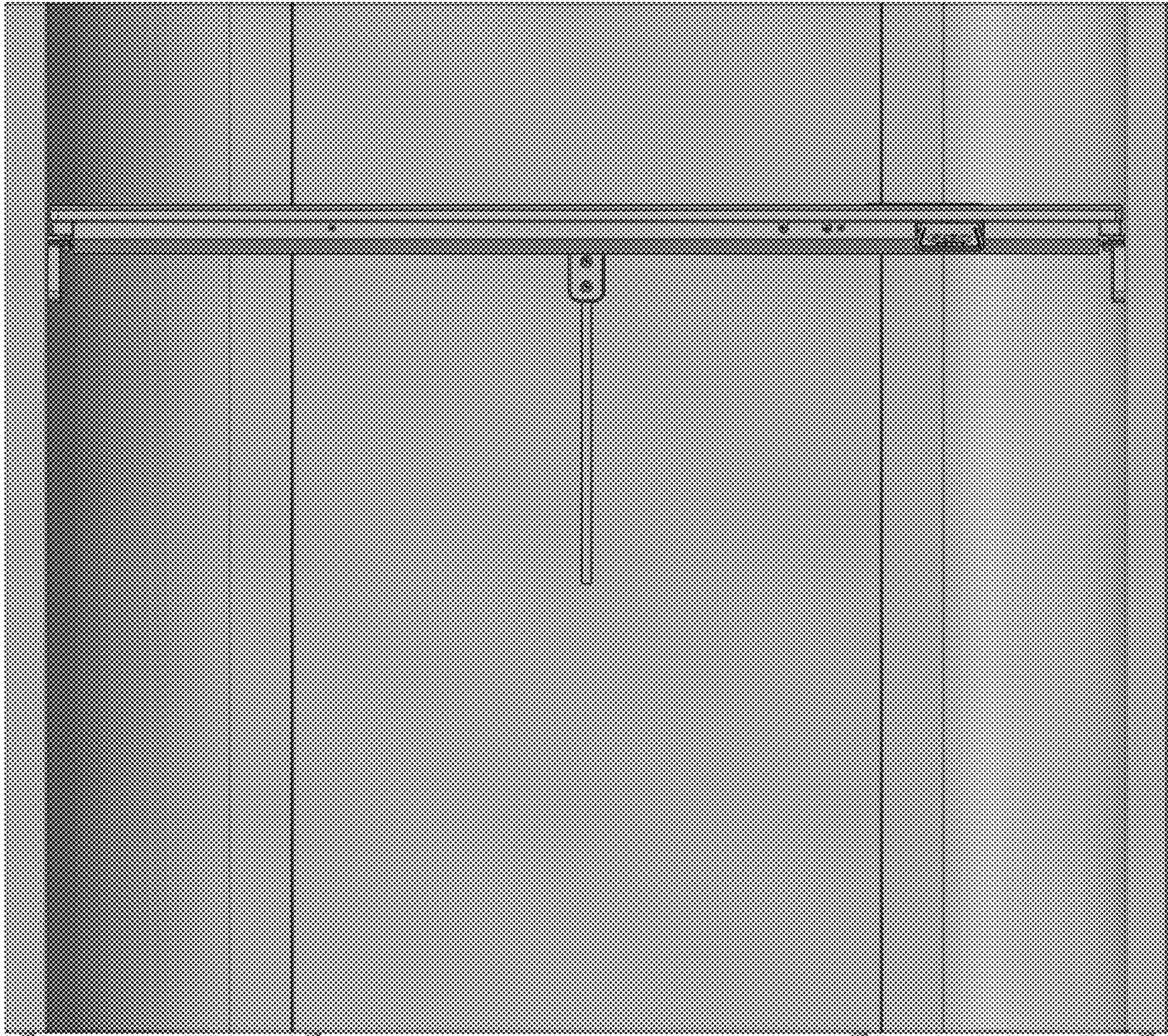


FIG. 2

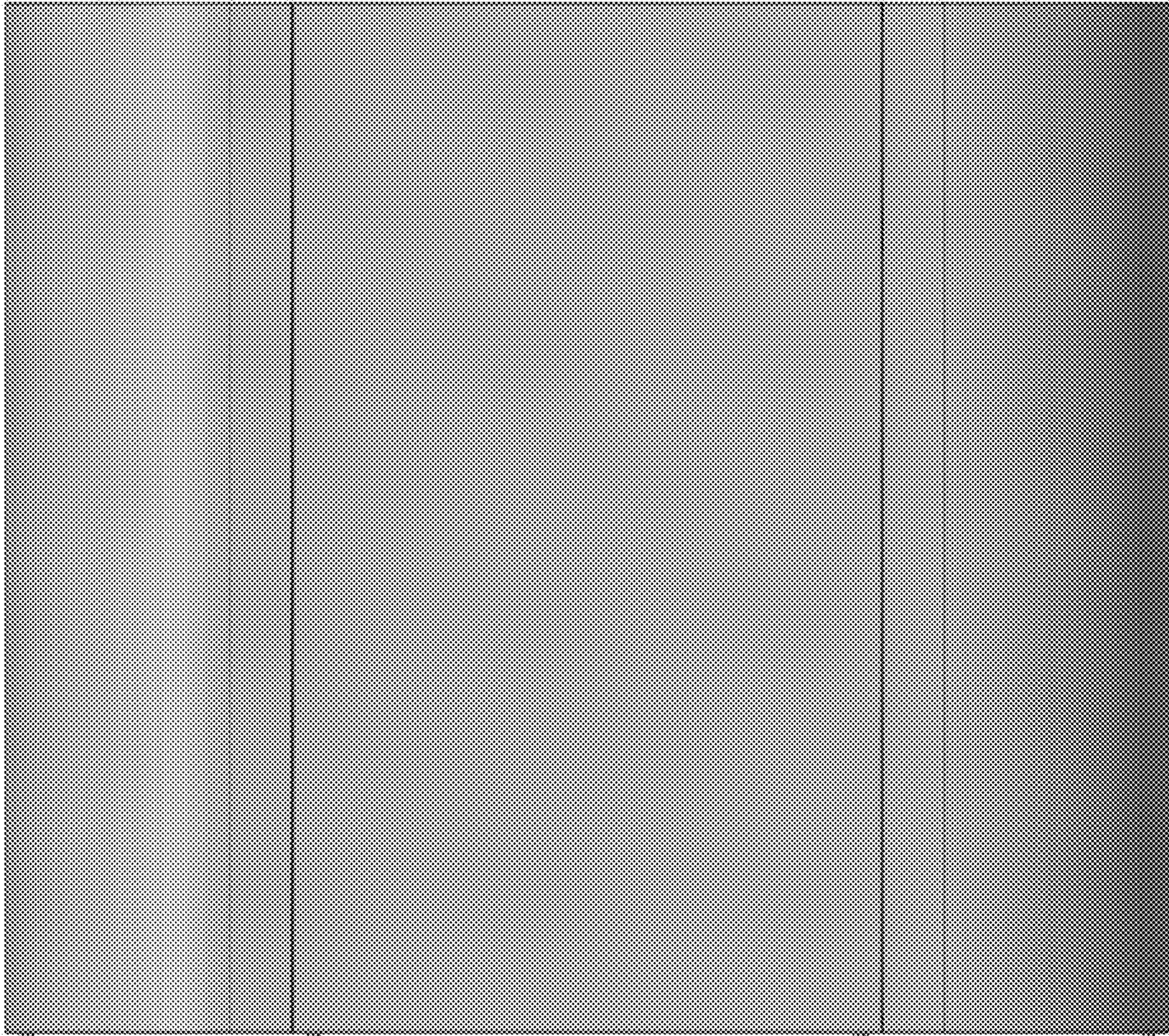


FIG. 3

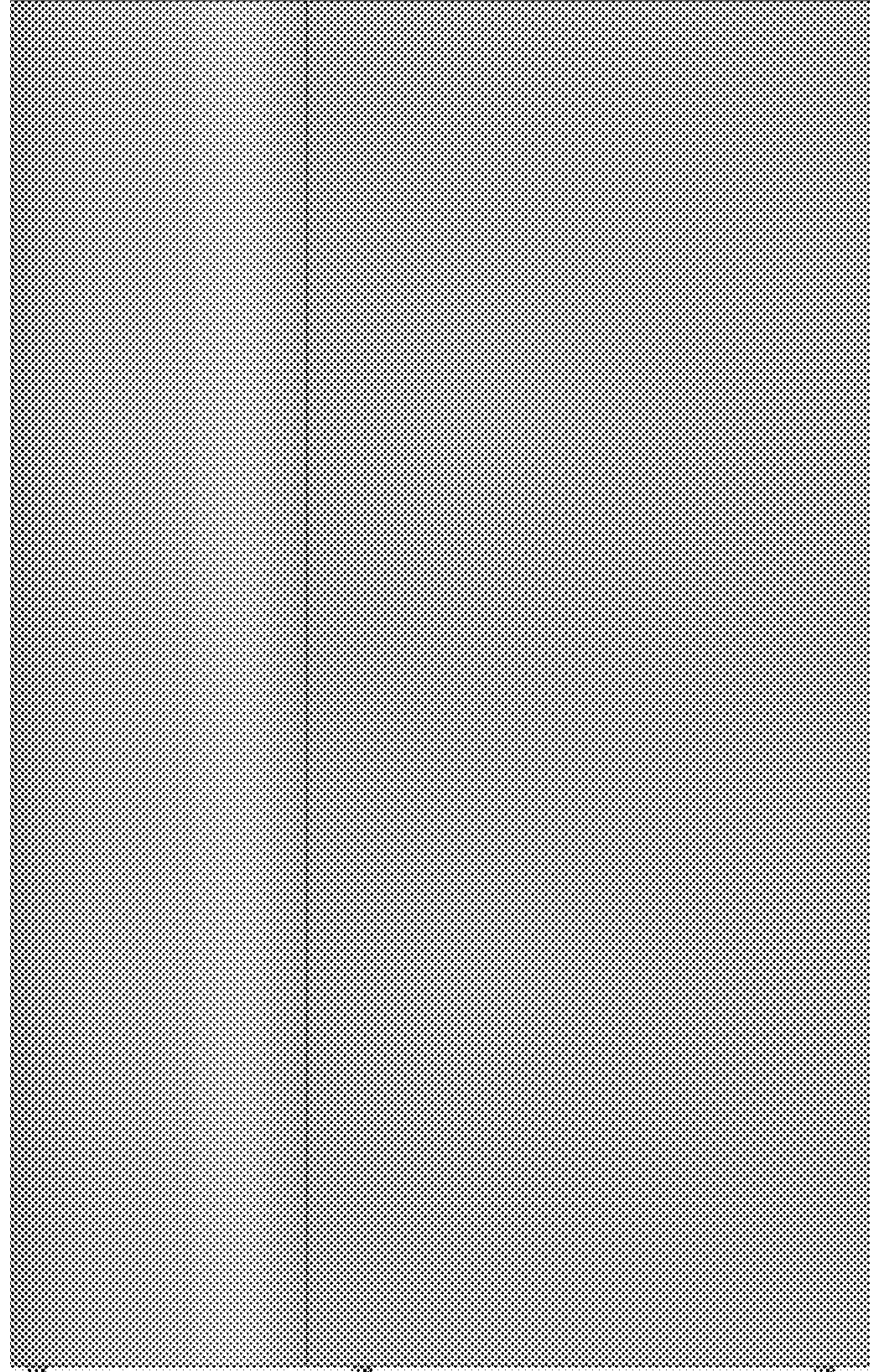


FIG. 4

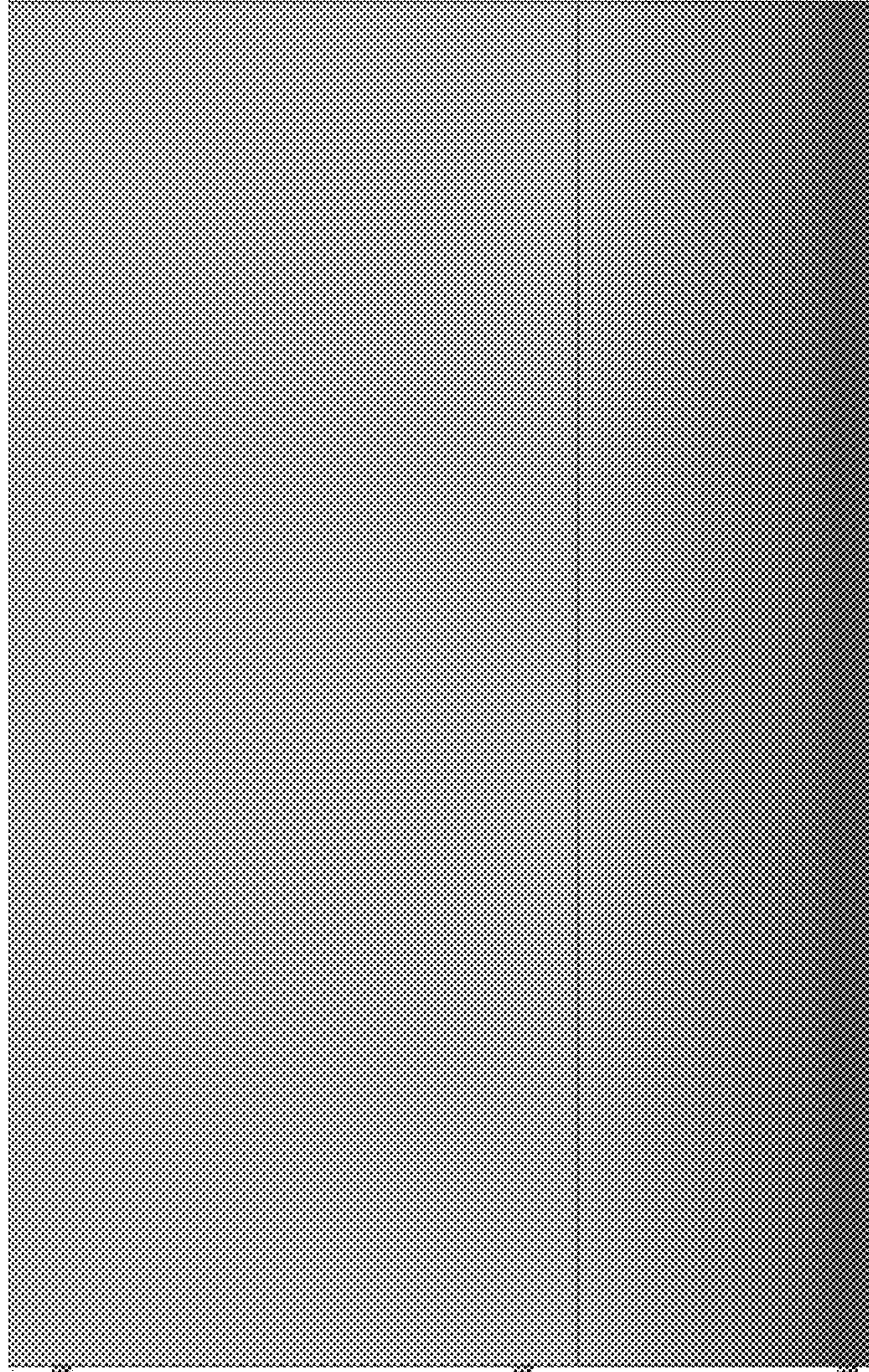


FIG. 5

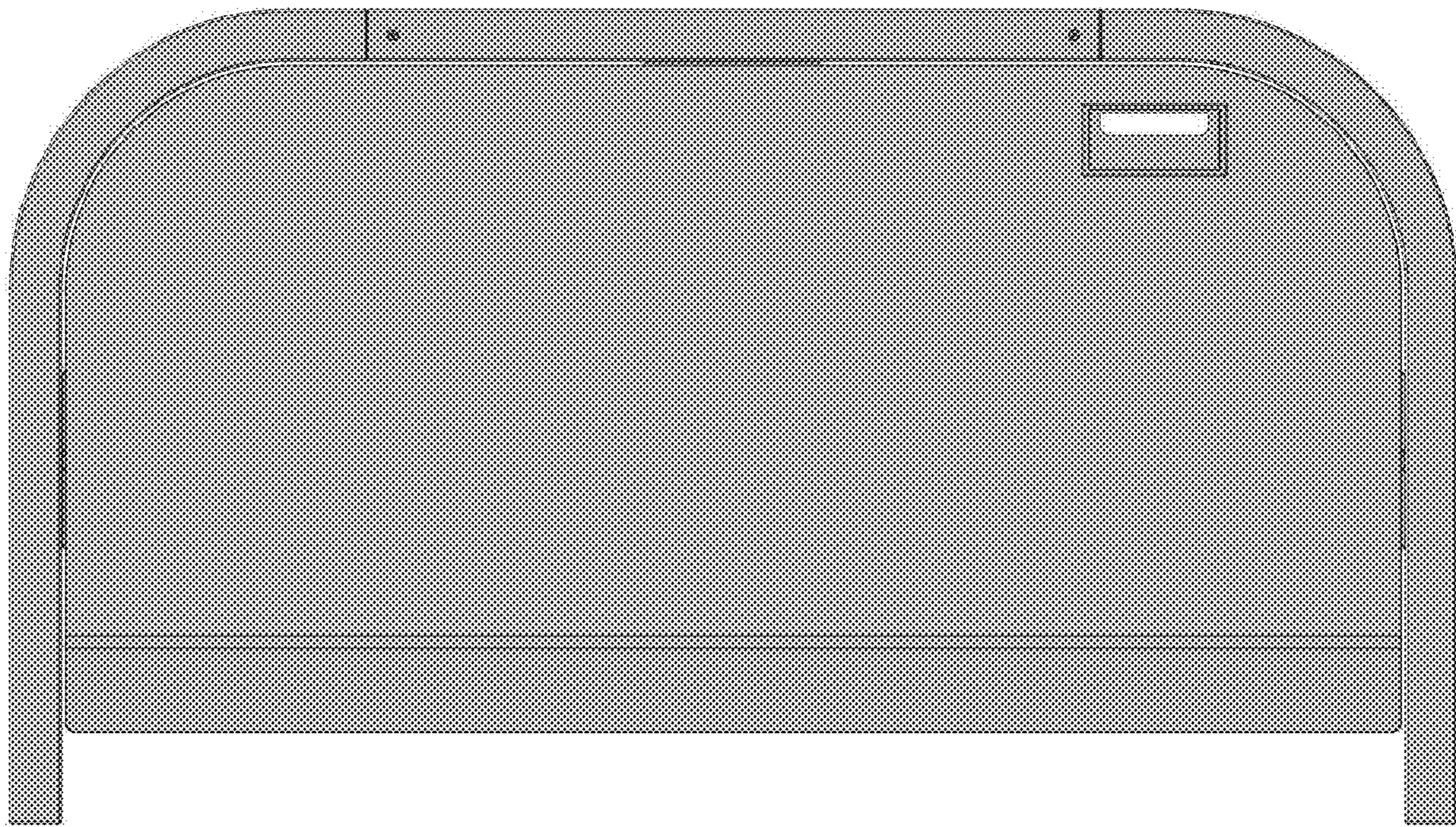


FIG. 6

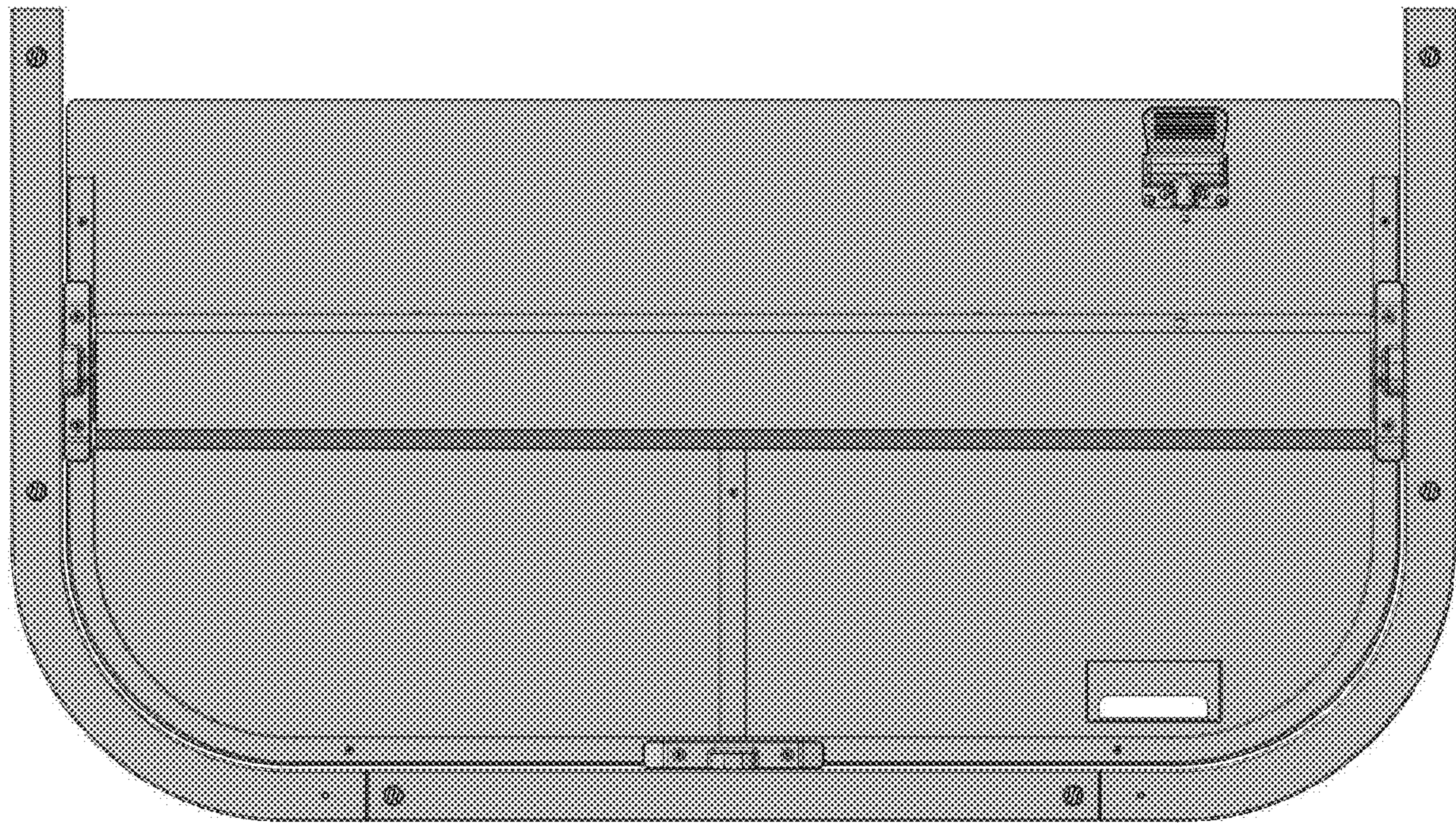


FIG. 7