



US00D878108S

(12) **United States Design Patent**
Wang

(10) **Patent No.:** **US D878,108 S**

(45) **Date of Patent:** **** Mar. 17, 2020**

(54) **CUSHION**

(71) Applicant: **Hongwei Wang**, Yiwu (CN)

(72) Inventor: **Hongwei Wang**, Yiwu (CN)

(**) Term: **15 Years**

(21) Appl. No.: **29/661,556**

(22) Filed: **Aug. 29, 2018**

(51) **LOC (12) Cl.** **06-09**

(52) **U.S. Cl.**

USPC **D6/601**

(58) **Field of Classification Search**

USPC D6/601; D24/183

CPC A47G 2009/1018; A47G 9/10; A47G

9/1027; A47G 9/1081; A61G 7/072;

A61G 13/121; A61G 13/1245; A47C

20/00; A47C 20/02; A47C 20/04; A47C

16/04; A63B 21/00; A63B 21/4039

See application file for complete search history.

(56) **References Cited**

U.S. PATENT DOCUMENTS

5,809,594 A * 9/1998 Isogai A47G 9/10
5/644

D624,776 S * 10/2010 Tang D6/601

8,650,683 B2 * 2/2014 Parnham A47G 9/1081
5/636

D715,579 S * 10/2014 Scarlett D6/601

D732,312 S * 6/2015 Tiffin D6/601

D747,613 S * 1/2016 Scarlett D6/601

9,332,850 B2 * 5/2016 Krishtul A47C 7/029

D775,862 S * 1/2017 Chen D6/601

D780,484 S * 3/2017 Goddard D6/601

D780,485 S * 3/2017 Goddard D6/601

D787,860 S * 5/2017 Goddard D6/601

D808,194 S * 1/2018 Wyborn D6/601

D812,931 S * 3/2018 Chen D6/601

D829,470 S *	10/2018	Huang	D6/601
D836,363 S *	12/2018	Cornelius	D6/601
D839,026 S *	1/2019	Huang	D6/601
D845,033 S *	4/2019	Berg	D6/601
D845,675 S *	4/2019	Yang	D6/601
D848,765 S *	5/2019	Chen	D6/601
D850,818 S *	6/2019	Xiang	D6/601
D851,424 S *	6/2019	Santjer	D6/601
D854,353 S *	7/2019	Xiang	D6/596
D862,115 S *	10/2019	Kelber	D6/601
2015/0265075 A1 *	9/2015	Liu	A61F 5/56 5/640

OTHER PUBLICATIONS

Yokaro Coccyx Seat Cushion Posture Support Pillow for Wheelchair (on-line), dated Feb. 8, 2018. Retrieved from Internet Dec. 2, 2019, URL: <https://www.amazon.com/Cushion-Posture-Support-Wheelchair-Washable/dp/B07917YBL7> (1 page) (Year: 2018).*

(Continued)

Primary Examiner — Kevin K Rudzinski

Assistant Examiner — Kimberly Barnes

(74) *Attorney, Agent, or Firm* — ZANIP

(57) **CLAIM**

The ornamental design for a cushion, as shown and described.

DESCRIPTION

FIG. 1 is a perspective view of a cushion showing my new design;

FIG. 2 is a front view thereof;

FIG. 3 is a rear view thereof;

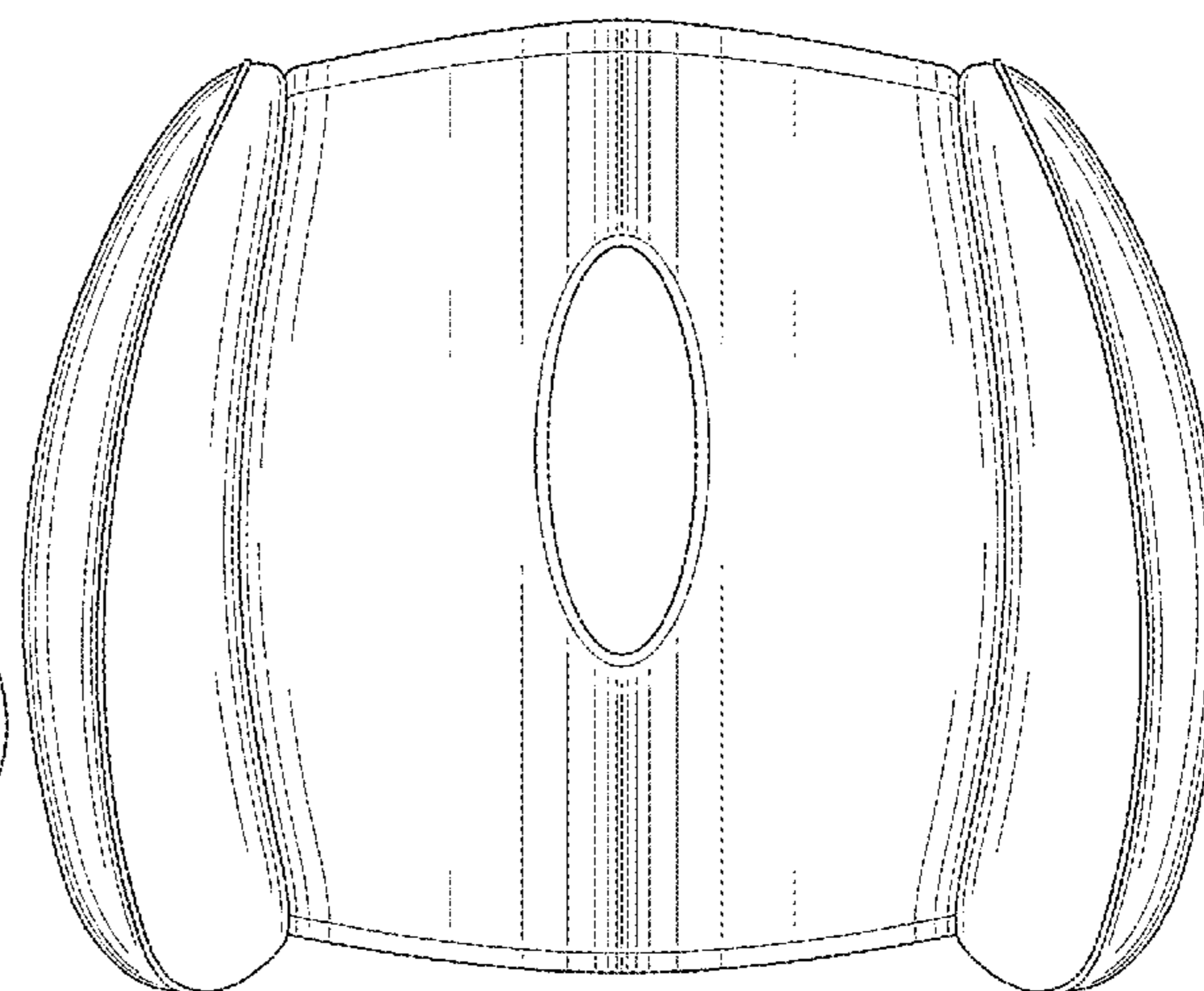
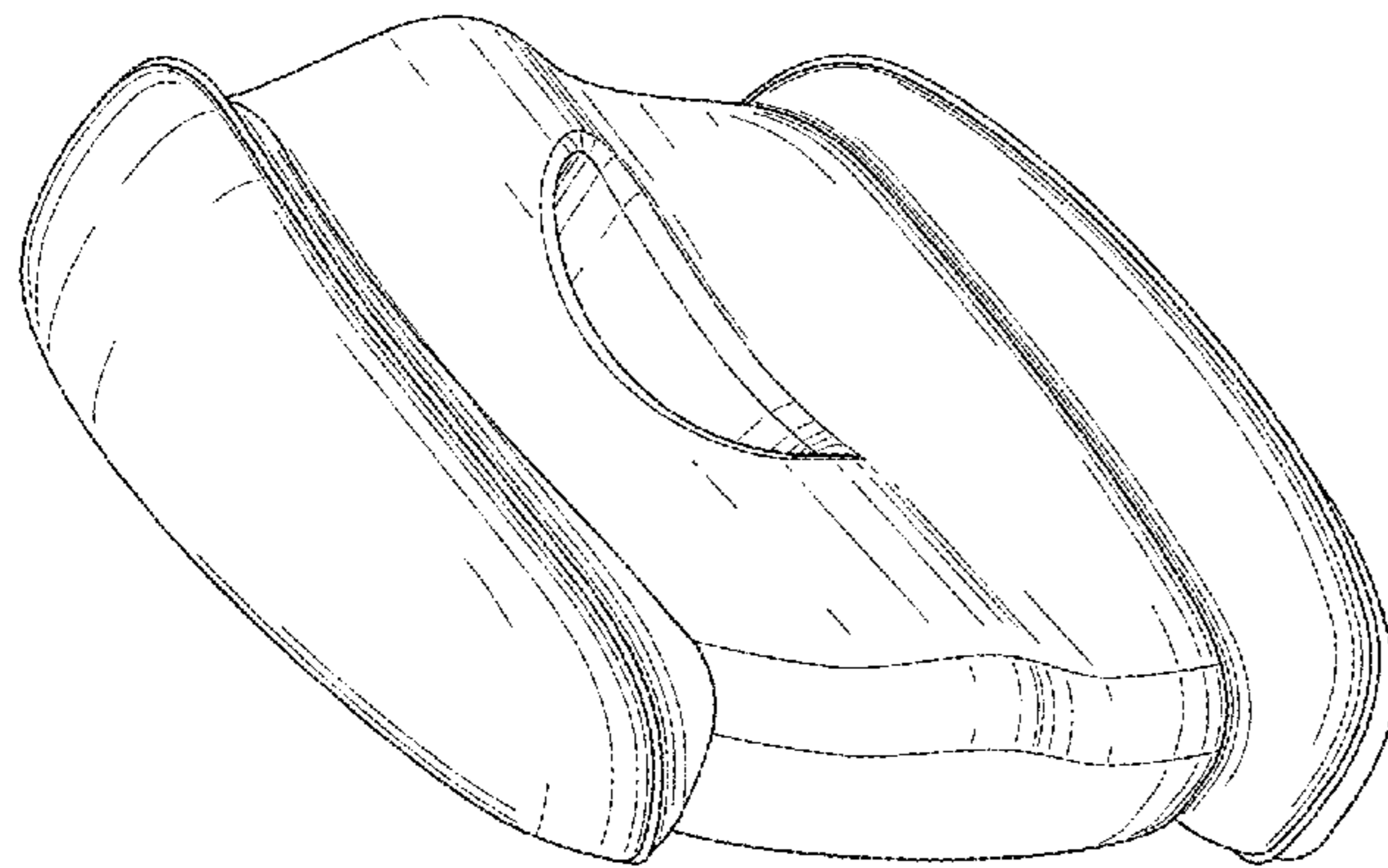
FIG. 4 is a left view thereof;

FIG. 5 is a right view thereof;

FIG. 6 is a top view thereof; and,

FIG. 7 is a bottom view thereof.

1 Claim, 7 Drawing Sheets



(56)

References Cited

OTHER PUBLICATIONS

Bael Wellness Tailbone Support Cushion (on-line), no date available. Retrieved from Internet Dec. 2, 2019, URL: <https://www.meyerpt.com/bael-wellness-tailbone-cushion> (1 page).*

Best Orthopedic Seat Cushions in 2017—Improving Back and Joint Health (on-line), dated Jul. 10, 2017. Retrieved from Internet Dec. 2, 2019, URL: <https://web.archive.org/web/20170710150327/https://top10bestpro.com/best-orthopedic-seat-cushions/> (6 pages) (Year: 2017).*

ComfilLife—Everything About Back Pain & Healthy Posture (on-line), dated Jul. 10, 2016. Retrieved from Internet Dec. 2, 2019, URL: <https://web.archive.org/web/20160710151448/http://www.comfilife.com/coccyx-posture-support/> (3 pages) (Year: 2016).*

Hemorrhoid Memory Foam Seat Cushion (on-line), dated Aug. 22, 2016. Retrieved from Internet Dec. 2, 2019, URL: <https://web.archive.org/web/20160822065204/https://www.foam-sponges.com/sale-8463752-hemorrhoid-memory-foam-seat-cushion-medically-recommended-coccyx-cushion-for-hemorhoid-patients.html> (2 pages) (Year: 2016).*

PharMeDoc Orthopedic Coccyx Seat Cushion (on-line), dated May 31, 2018. Retrieved from Internet Dec. 2, 2019, URL: <https://web.archive.org/web/20180531161520/https://www.groupon.com/deals/gg-cm-orthopedic-coccyx-seat-cushion-ofr-office-shair-car-seat> (3 pages) (Year: 2018).*

Smelov new cotton luxury office chair seat cushion (on-line), no date available. Retrieved from Internet Dec. 2, 2019, URL: <https://www.aliexpress.com/item/32920782285.html> (9 pages).*

* cited by examiner

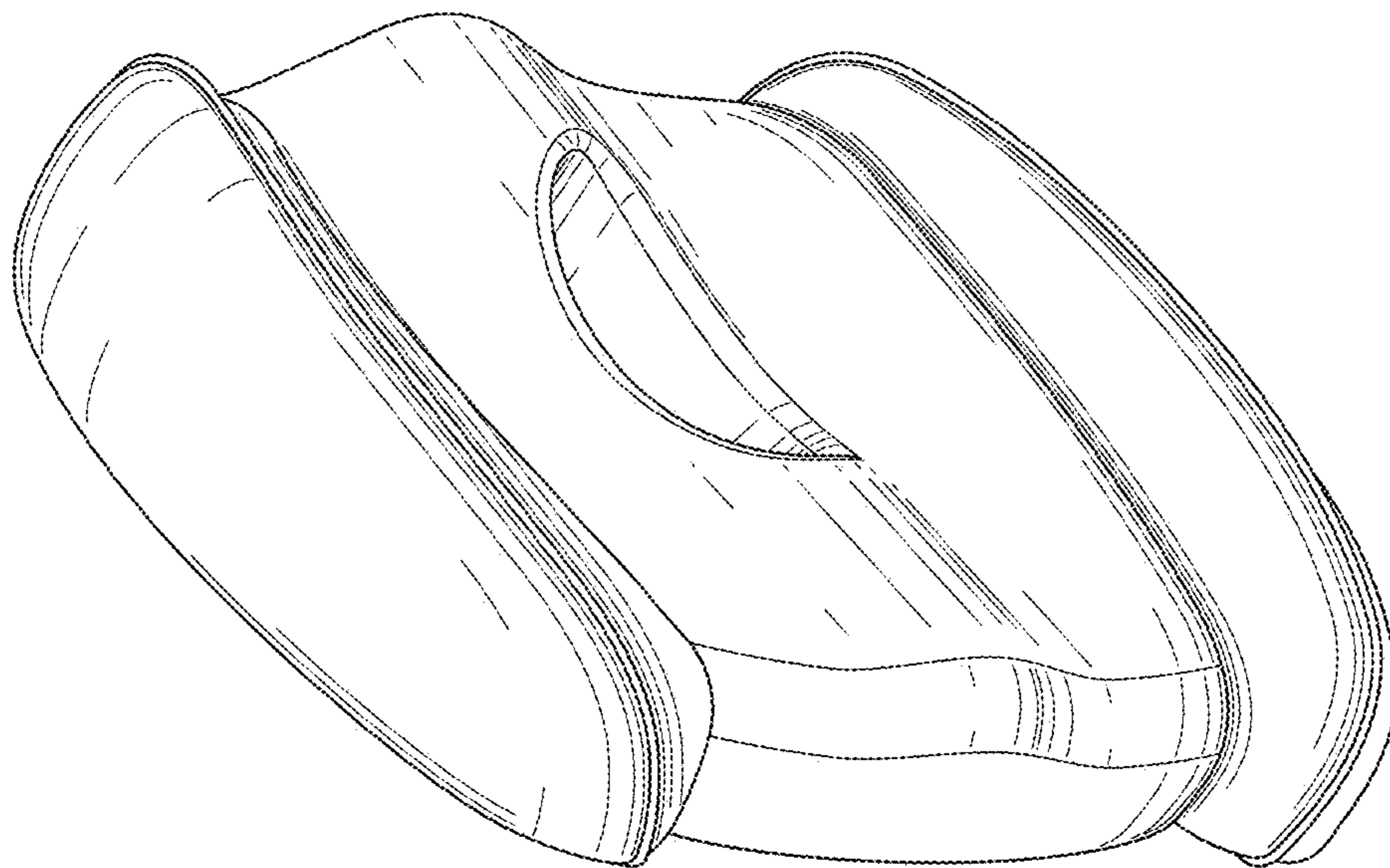


Fig. 1

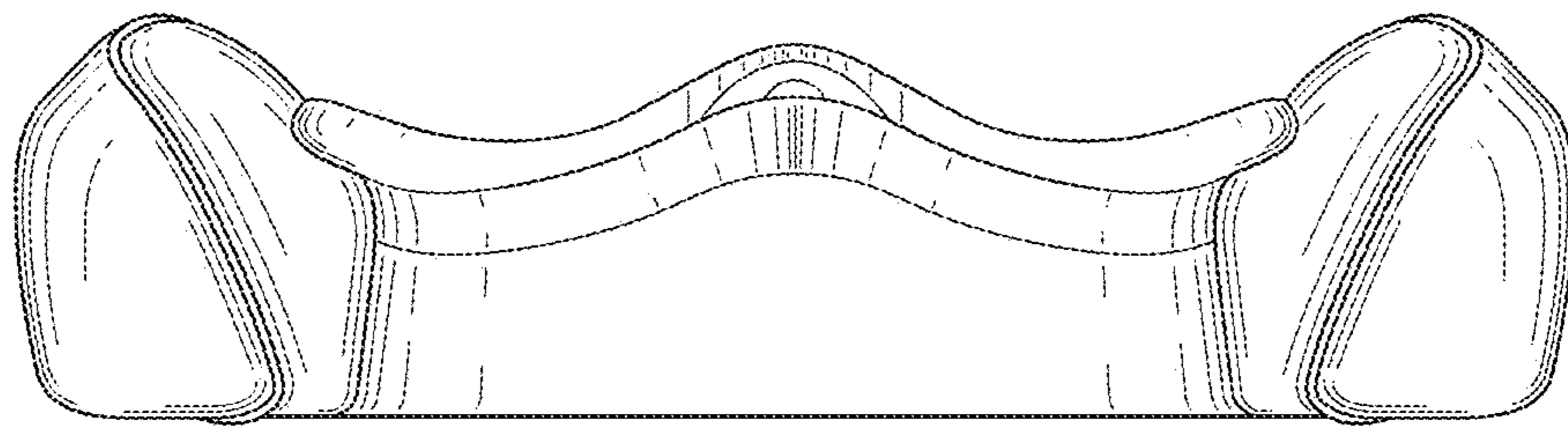


Fig. 2

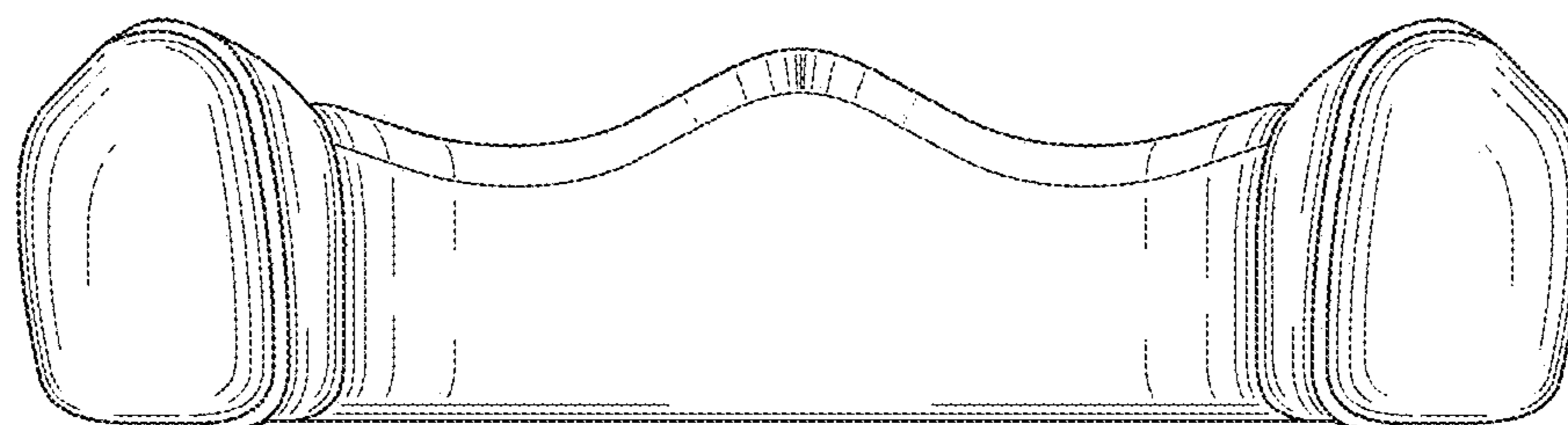


Fig. 3



Fig. 4



Fig. 5

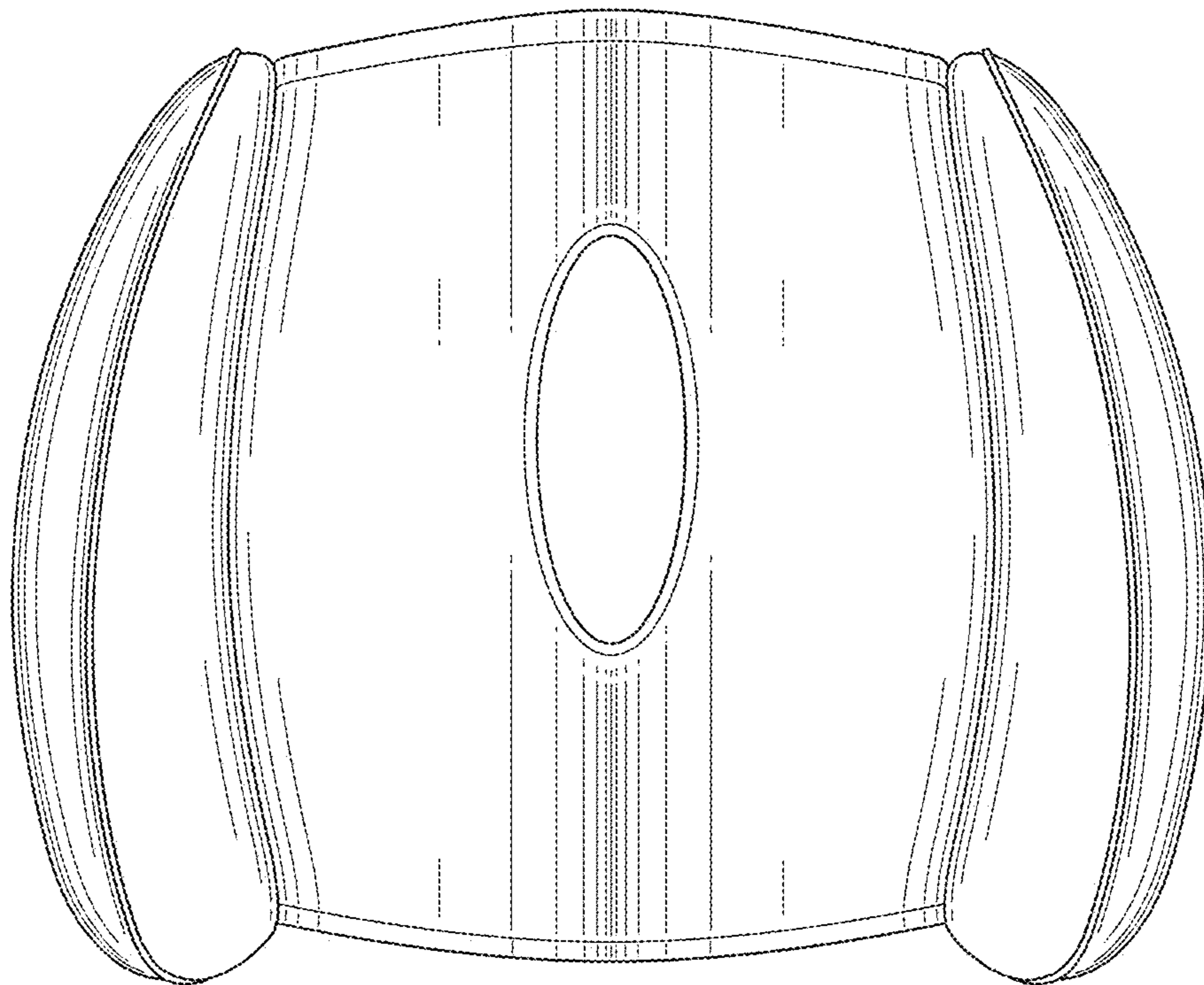


Fig. 6

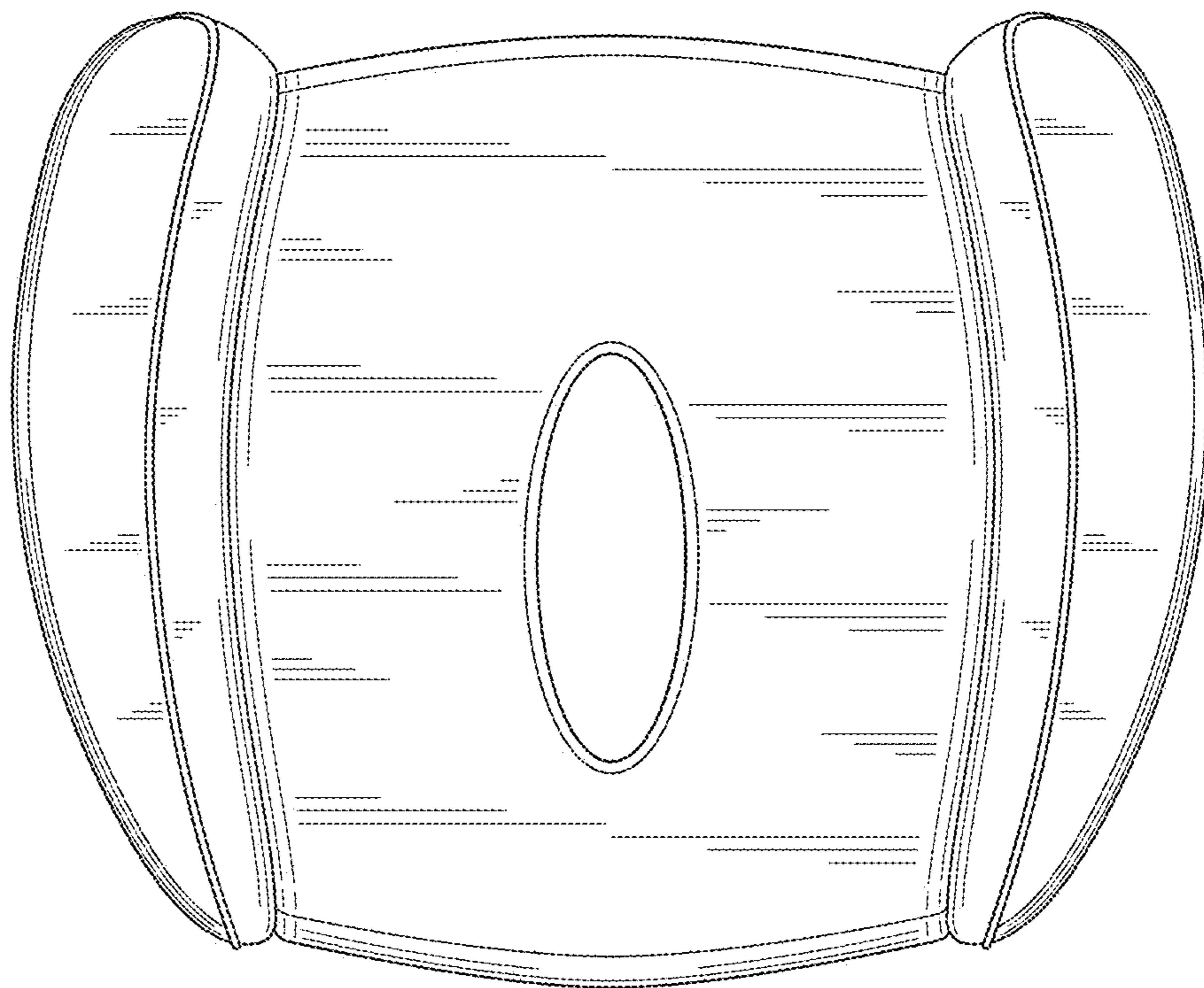


Fig. 7