



US00D878105S

(12) **United States Design Patent**  
**Marinkovic**

(10) **Patent No.:** **US D878,105 S**  
(45) **Date of Patent:** **\*\* Mar. 17, 2020**

(54) **PILLOW**  
(71) Applicant: **John Marinkovic**, Paramus, NJ (US)  
(72) Inventor: **John Marinkovic**, Paramus, NJ (US)  
(\*\*) Term: **15 Years**  
(21) Appl. No.: **29/629,316**  
(22) Filed: **Dec. 12, 2017**

D402,150 S 12/1998 Wurmbrand et al.  
5,926,879 A 7/1999 Davis  
5,940,913 A 8/1999 Horowitz  
D415,920 S 11/1999 Denney  
6,006,380 A 12/1999 Sramek  
6,079,066 A 6/2000 Backlund  
6,132,004 A 10/2000 Carlino  
D444,980 S 7/2001 Mowat et al.  
6,345,401 B1 2/2002 Frydman  
6,381,784 B1 5/2002 Davis et al.  
6,471,726 B2 10/2002 Wang

(Continued)

(51) **LOC (12) Cl.** ..... **06-09**  
(52) **U.S. Cl.**  
USPC ..... **D6/601**  
(58) **Field of Classification Search**  
USPC ..... D6/601  
CPC ..... A47G 9/10; A47G 2009/1018; A47G  
9/1081; A47G 9/109  
See application file for complete search history.

FOREIGN PATENT DOCUMENTS

CA 2431656 A1 12/2004  
FR 2704407 A1 \* 11/1994 ..... A47G 9/10

(Continued)

OTHER PUBLICATIONS

International Search Report of International Application No. PCT/US2013/038349, prepared by the International Searching Authority, dated Aug. 29, 2013, 2 pages.

Primary Examiner — R. Johnson

(74) *Attorney, Agent, or Firm* — Hoxie & Associates LLC

(56) **References Cited**

U.S. PATENT DOCUMENTS

3,757,365 A \* 9/1973 Kretchmer ..... A47G 9/10  
5/636  
4,218,792 A 8/1980 Kogan  
4,447,922 A 5/1984 Brochu  
4,803,743 A 2/1989 Greenawalt  
4,821,355 A 4/1989 Burkhardt  
4,832,007 A 5/1989 Davis et al.  
5,018,231 A 5/1991 Wang  
5,123,132 A 6/1992 Dixon  
D328,682 S \* 8/1992 Carney ..... D6/601  
D342,411 S \* 12/1993 Graebe ..... 5/653  
5,457,832 A 10/1995 Tatum  
5,471,691 A 12/1995 Ryndak  
5,566,682 A 10/1996 Yavitz  
D376,288 S 12/1996 Antonian  
D388,648 S 1/1998 Bates  
D388,650 S 1/1998 Davis  
5,732,427 A 3/1998 Parnham  
5,797,154 A 8/1998 Contreras  
5,802,644 A 9/1998 Scheurer

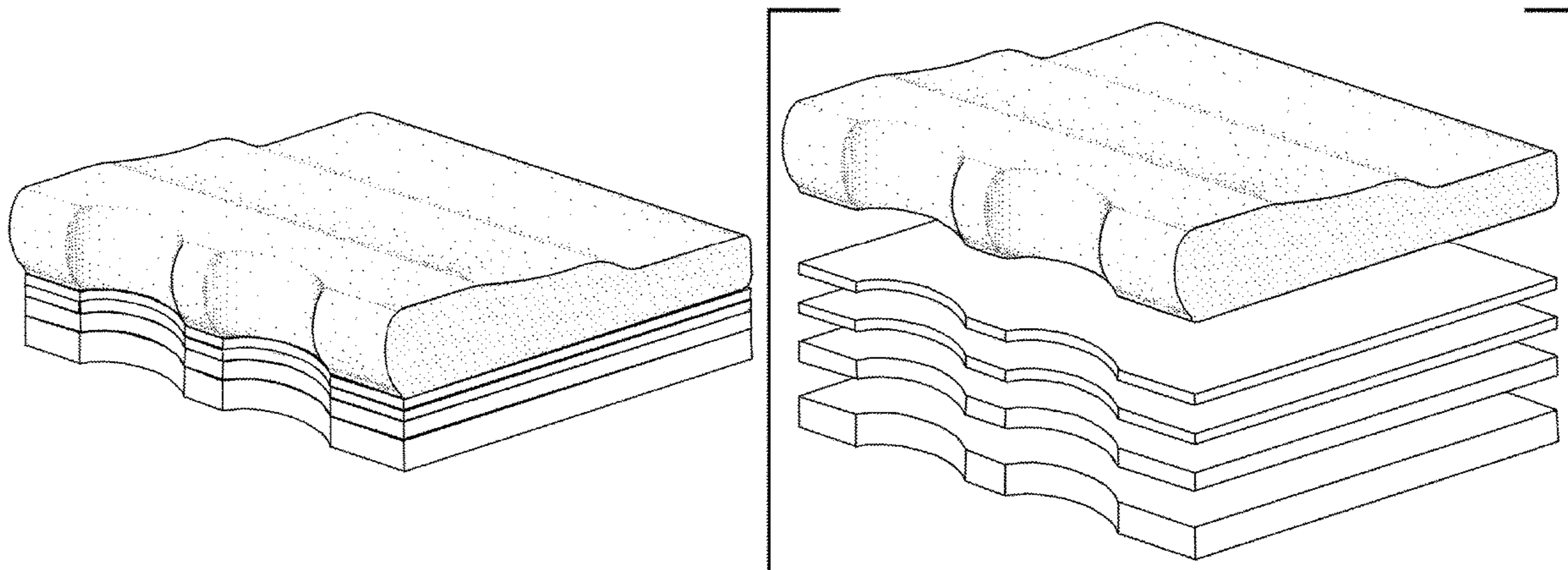
(57) **CLAIM**

The ornamental design for a pillow, as shown and described.

**DESCRIPTION**

FIG. 1 is an isometric perspective view of the pillow from the front-right, showing my new design;  
FIG. 2 is an isometric exploded perspective view thereof;  
FIG. 3 is a right-side exploded elevation view thereof;  
FIG. 4 is a front exploded elevation view thereof;  
FIG. 5 is a rear exploded elevation view thereof;  
FIG. 6 is a top plan view thereof; and,  
FIG. 7 is a bottom plan view thereof.

**1 Claim, 7 Drawing Sheets**



(56)

References Cited

U.S. PATENT DOCUMENTS

6,513,179 B1 2/2003 Pan  
 D474,364 S \* 5/2003 Arcieri ..... D6/601  
 D476,186 S \* 6/2003 Wang ..... D6/601  
 6,574,809 B1 6/2003 Rathbun  
 6,671,906 B1 1/2004 Milligan  
 6,751,818 B2 6/2004 Troop  
 6,817,049 B1 11/2004 Hall  
 6,823,546 B1 11/2004 Hsu  
 6,915,539 B2 7/2005 Rathbun  
 6,981,288 B1 1/2006 Hu  
 7,013,512 B1 3/2006 Hsu  
 7,082,633 B1 8/2006 Maarbjerg  
 7,203,983 B1 4/2007 Reeves et al.  
 7,210,178 B2 5/2007 DiGirolamo  
 7,516,504 B2 4/2009 Guez  
 7,681,262 B2 3/2010 Weedling et al.  
 8,065,766 B1 11/2011 Fierro  
 8,359,686 B2 1/2013 Hunter et al.  
 D696,045 S \* 12/2013 Marinkovic ..... D6/601  
 D696,047 S \* 12/2013 Marinkovic ..... D6/601  
 D722,449 S \* 2/2015 Krishdul ..... D6/601  
 D732,312 S \* 6/2015 Tiffin ..... D6/601  
 9,757,303 B2 9/2017 Marinkovic  
 2002/0184707 A1 12/2002 Stevens  
 2005/0050636 A1 3/2005 Setokawa  
 2005/0223493 A1 10/2005 Setokawa et al.

2006/0048300 A1 3/2006 DiGirolamo  
 2008/0134439 A1 6/2008 Ricalde  
 2009/0007336 A1 1/2009 Kassai et al.  
 2009/0025145 A1 1/2009 Tuffin et al.  
 2011/0094033 A1 4/2011 Lee  
 2011/0131728 A1 6/2011 Rose et al.  
 2011/0185505 A1 8/2011 Davis  
 2011/0231999 A1 9/2011 Yang  
 2012/0073056 A1 3/2012 Freund  
 2013/0283534 A1 10/2013 Marinkovic  
 2015/0047646 A1 2/2015 Marinkovic  
 2017/0326017 A1 11/2017 Marinkovic  
 2018/0256387 A1\* 9/2018 Anderson ..... A47G 9/1081

FOREIGN PATENT DOCUMENTS

FR 2821733 9/2002  
 JP S62-161871 U 10/1987  
 JP 3097991 U 2/2004  
 JP 2005046553 A 2/2005  
 JP 3108760 U 4/2005  
 JP 2006-246956 A 9/2006  
 JP 2007-397 A 1/2007  
 RU 56142 9/2006  
 WO WO 96/03903 A1 2/1996  
 WO WO 98/07358 2/1998  
 WO WO 2005/032309 4/2005

\* cited by examiner

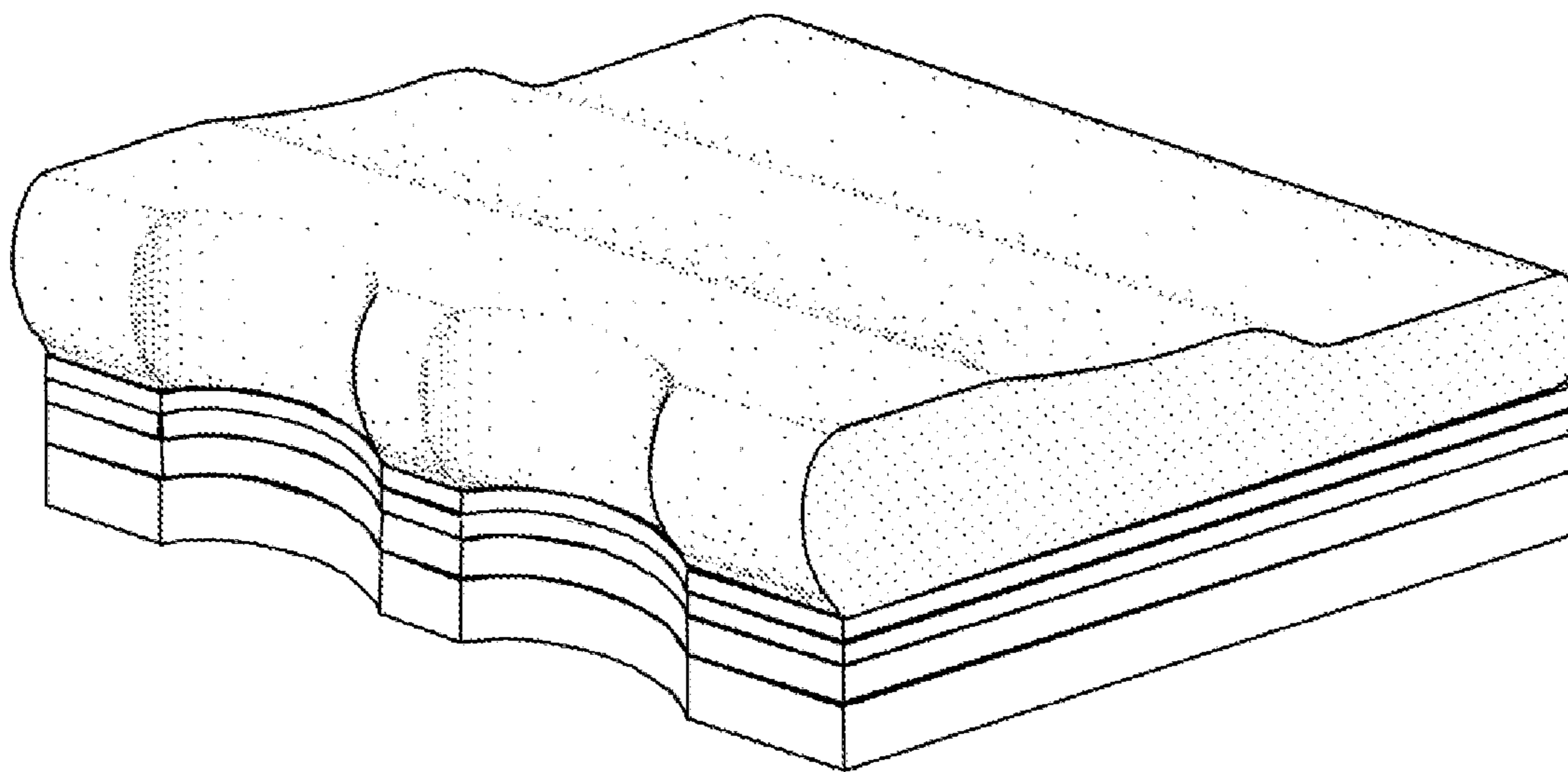


FIG. 1

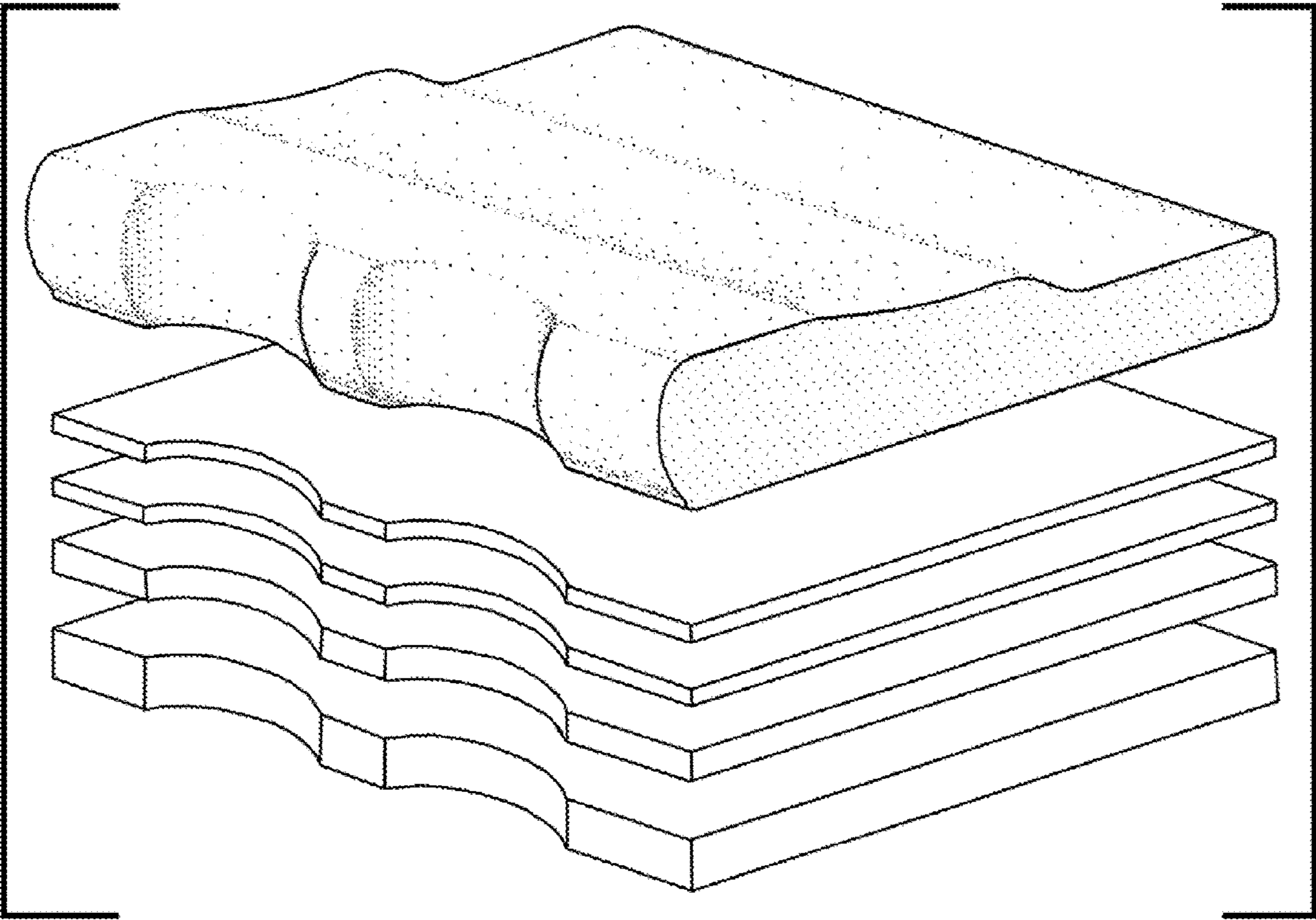


FIG. 2

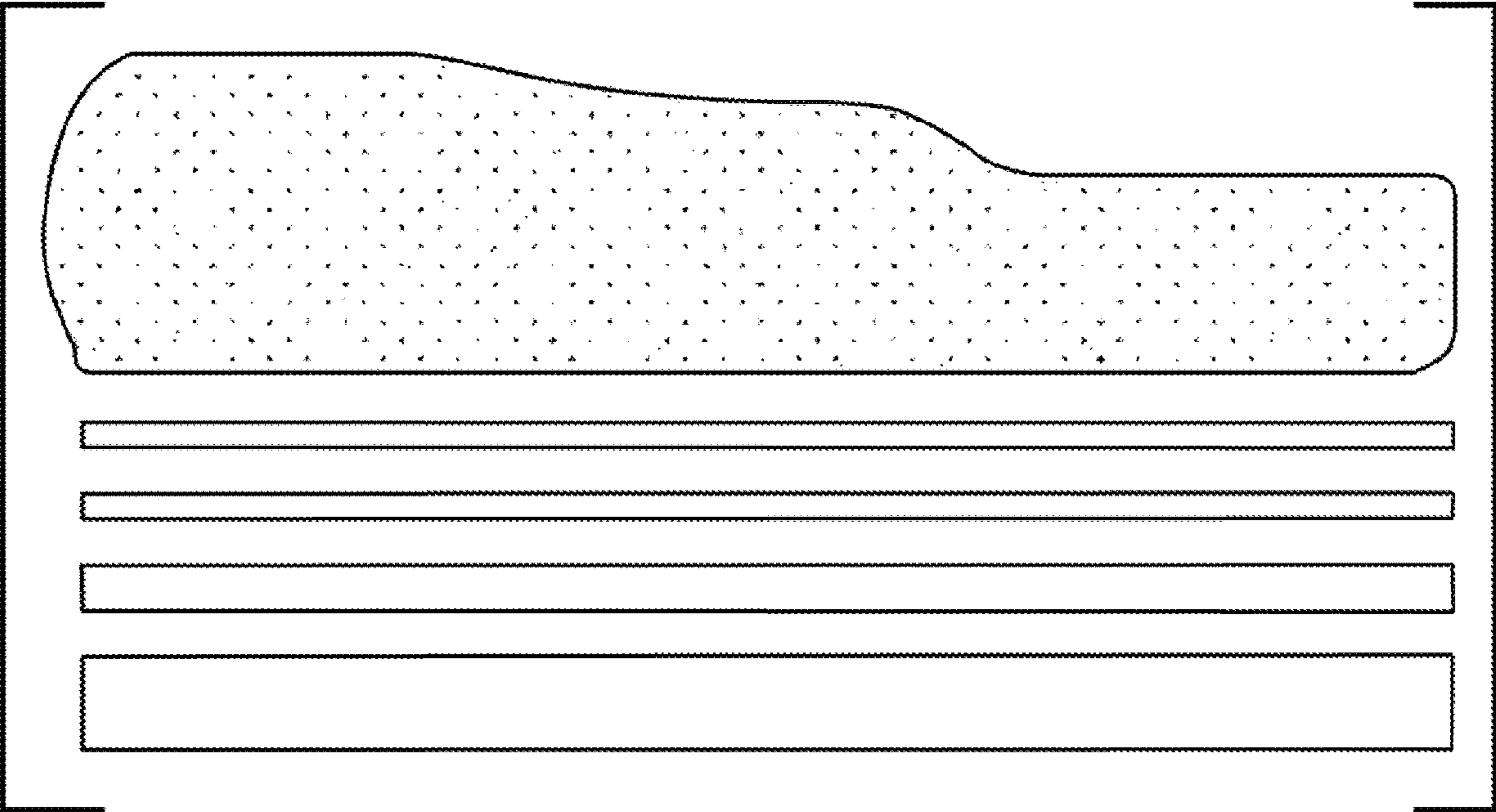


FIG. 3

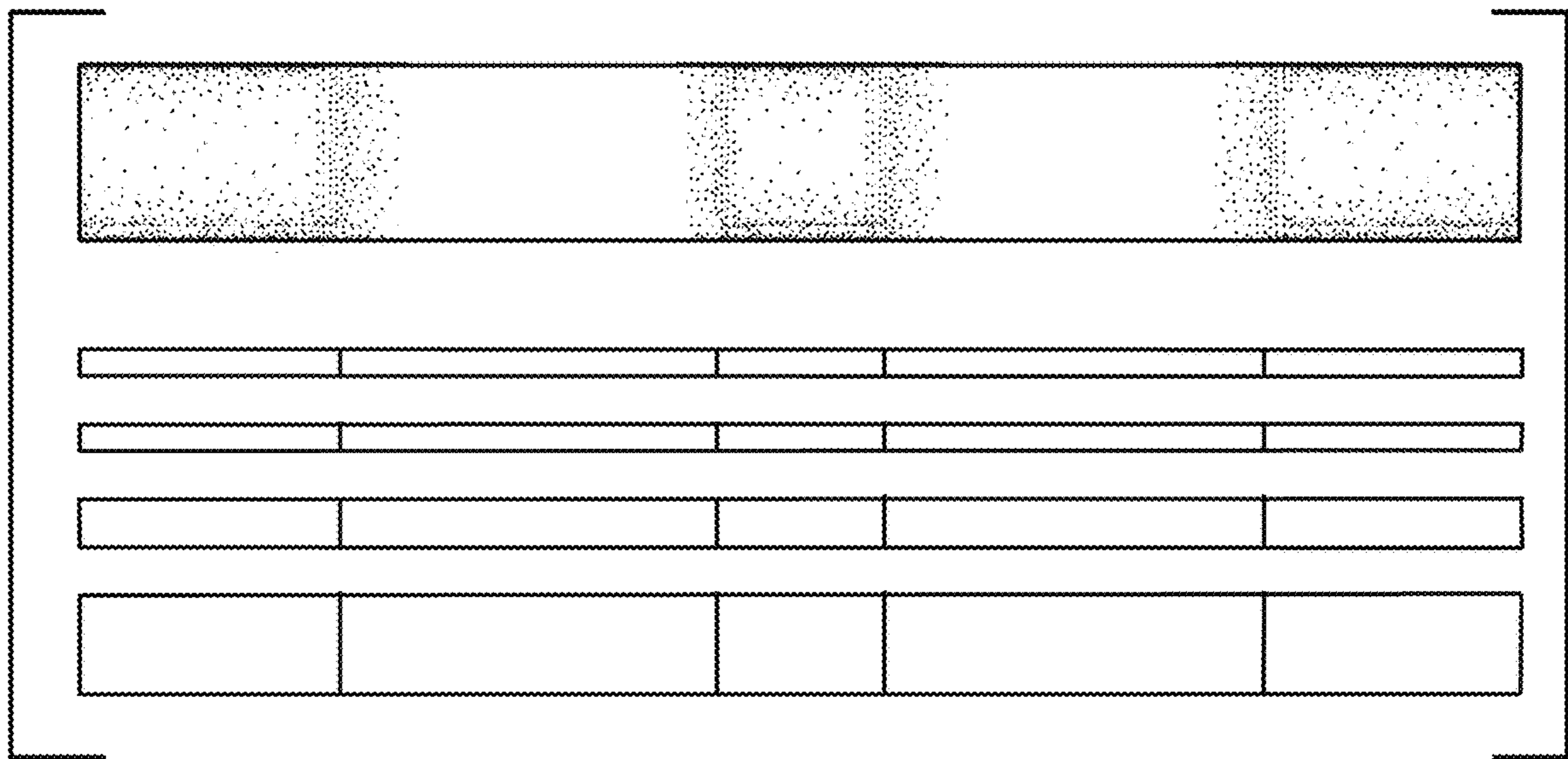


FIG. 4

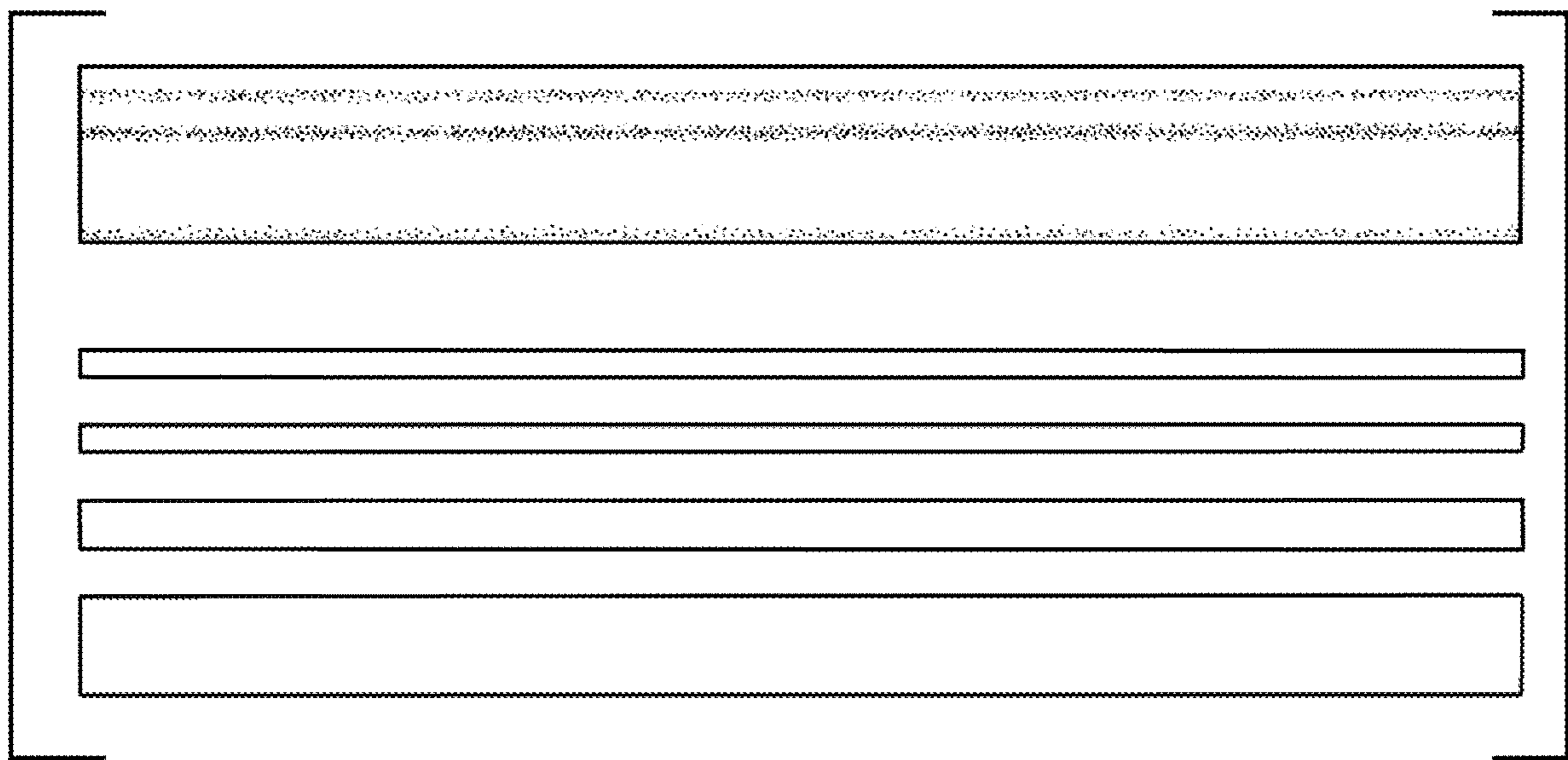


FIG. 5

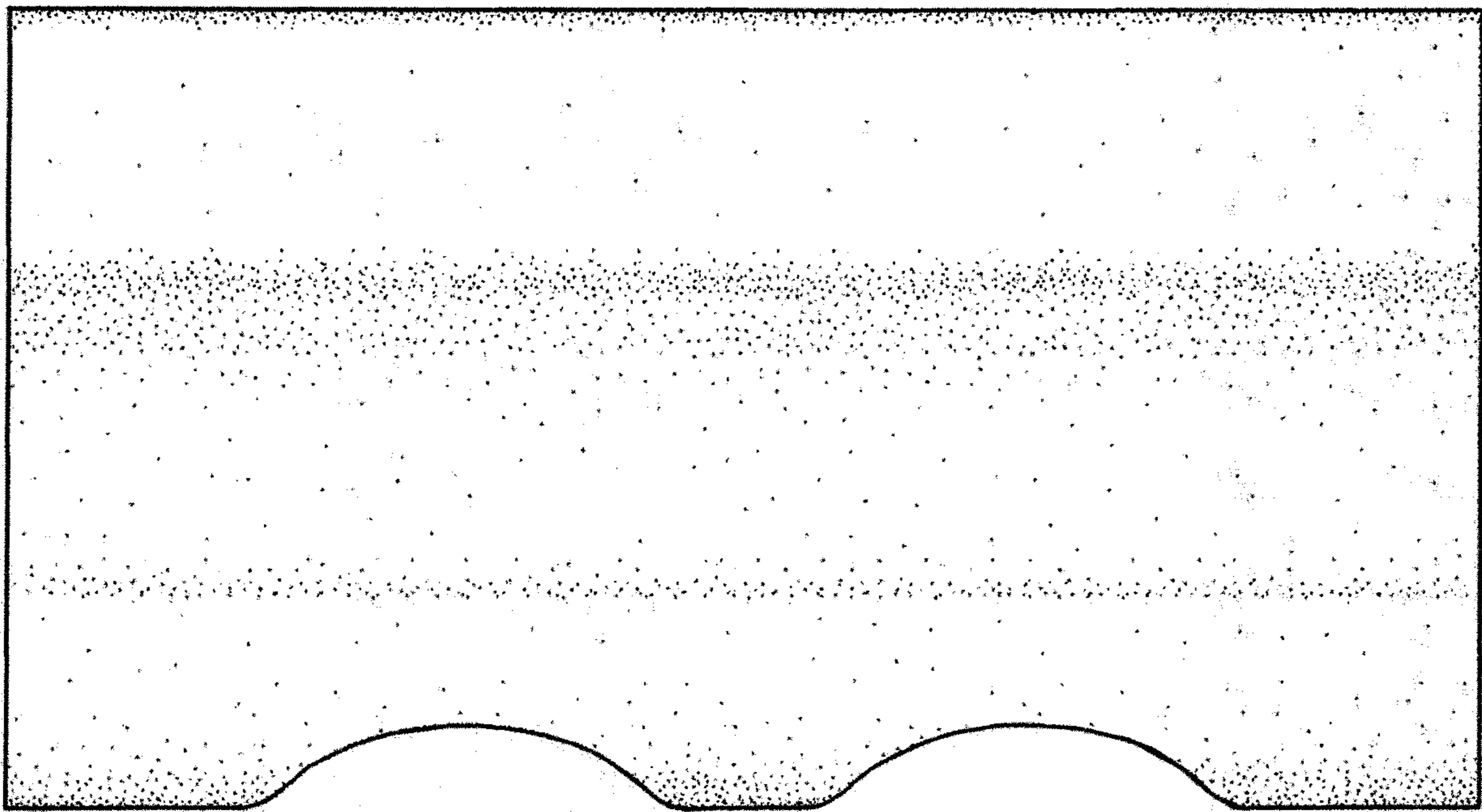


FIG. 6



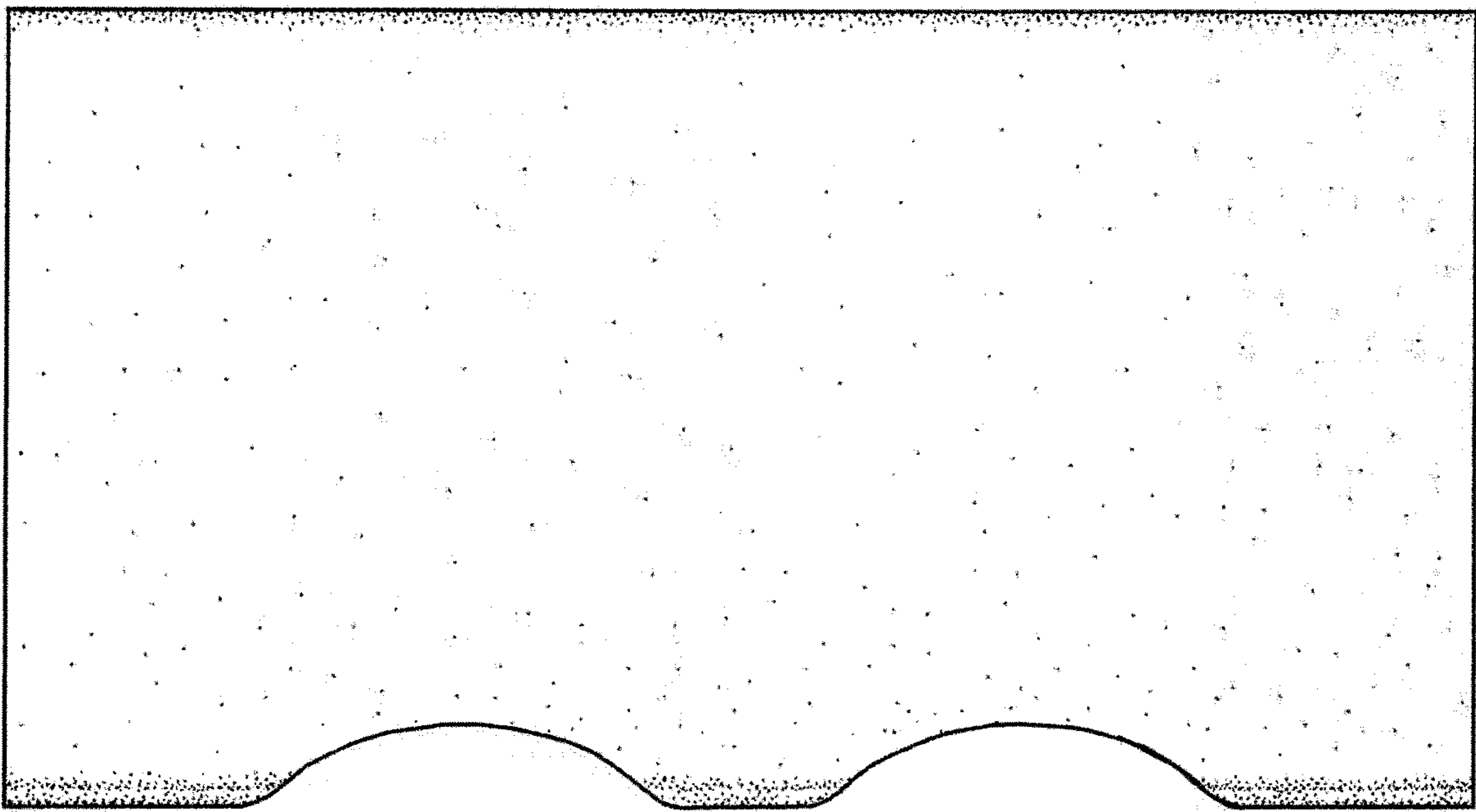


FIG. 7