



US00D878100S

(12) **United States Design Patent**  
**Liu**

(10) **Patent No.:** **US D878,100 S**

(45) **Date of Patent:** **\*\* Mar. 17, 2020**

(54) **HANGING LINE WITH CLIPS**

(71) Applicant: **Hao Liang Liu**, Shenzhen (CN)

(72) Inventor: **Hao Liang Liu**, Shenzhen (CN)

(\*\*) Term: **15 Years**

(21) Appl. No.: **29/709,313**

(22) Filed: **Oct. 14, 2019**

(51) **LOC (12) Cl.** ..... **06-08**

(52) **U.S. Cl.**  
USPC ..... **D6/570; D6/323**

(58) **Field of Classification Search**  
USPC ..... D6/315–328, 512–514, 552–553, 567,  
D6/569–570; D8/349, 354, 373, 367;  
206/278, 348, 37.6; 211/13, 30, 32, 44,  
211/59.1, 89, 113, 119; 248/247, 248,  
248/300, 309.1, 309.2, 316.7, 304  
CPC ..... A47F 5/0006; A47F 5/0892; A47F 7/19;  
A47F 5/01; A47F 5/13; A47G 25/06;  
A47G 25/32; A47G 25/28; A47G 25/442;  
A47G 25/20; A47G 25/24; A47G  
25/1421; A47G 25/1428; A47G 25/52;  
A47G 25/38; A47G 25/50; A47G 25/183;  
A47G 25/0607; A47G 2025/448; A47G  
25/1414; A47G 25/0678; A47G 25/44;  
A47G 25/10; E04D 12/006; E06B 1/04;  
E04F 13/007; B65D 9/36; A63H 3/50;  
Y10T 403/54; Y10T 403/453; A47B  
61/003

See application file for complete search history.

4,573,590 A \* 3/1986 Ellis ..... A47F 5/0068  
211/118

4,749,088 A \* 6/1988 Workman ..... A47F 5/0892  
211/113

D297,412 S \* 8/1988 Allen ..... D6/553

D323,286 S \* 1/1992 Roetting ..... 211/119

5,118,065 A \* 6/1992 Becklund ..... A47G 25/06  
248/231.51

D339,979 S \* 10/1993 Wehrley ..... D6/315

D343,750 S \* 2/1994 Wolf ..... D6/514

D346,922 S \* 5/1994 Lewis ..... D6/570

5,386,916 A \* 2/1995 Valiulis ..... A47F 5/0006  
211/113

5,452,806 A \* 9/1995 Campas ..... A47F 5/0006  
206/495

D367,574 S \* 3/1996 Werner ..... D6/514

5,515,978 A \* 5/1996 Moran ..... A47G 25/10  
211/113

D370,582 S 6/1996 Bartsch

D377,123 S \* 1/1997 Hutchens ..... D6/323

(Continued)

Primary Examiner — Nathan M Johnston

(57) **CLAIM**

The ornamental design for a hanging line with clips, as shown and described.

**DESCRIPTION**

FIG. 1 is a perspective view of a hanging line with clips showing my new design;

FIG. 2 is a front elevational view thereof;

FIG. 3 is a rear elevational view thereof;

FIG. 4 is a left side elevational view thereof;

FIG. 5 is a right side elevational view thereof;

FIG. 6 is a top plan view thereof;

FIG. 7 is a bottom plan view thereof; and,

FIG. 8 is an enlarged of a rectangular portion IIX of FIG. 1. The broken lines in the drawings depict portions of the hanging line with clips that form no part of the claimed design.

**1 Claim, 8 Drawing Sheets**

(56) **References Cited**

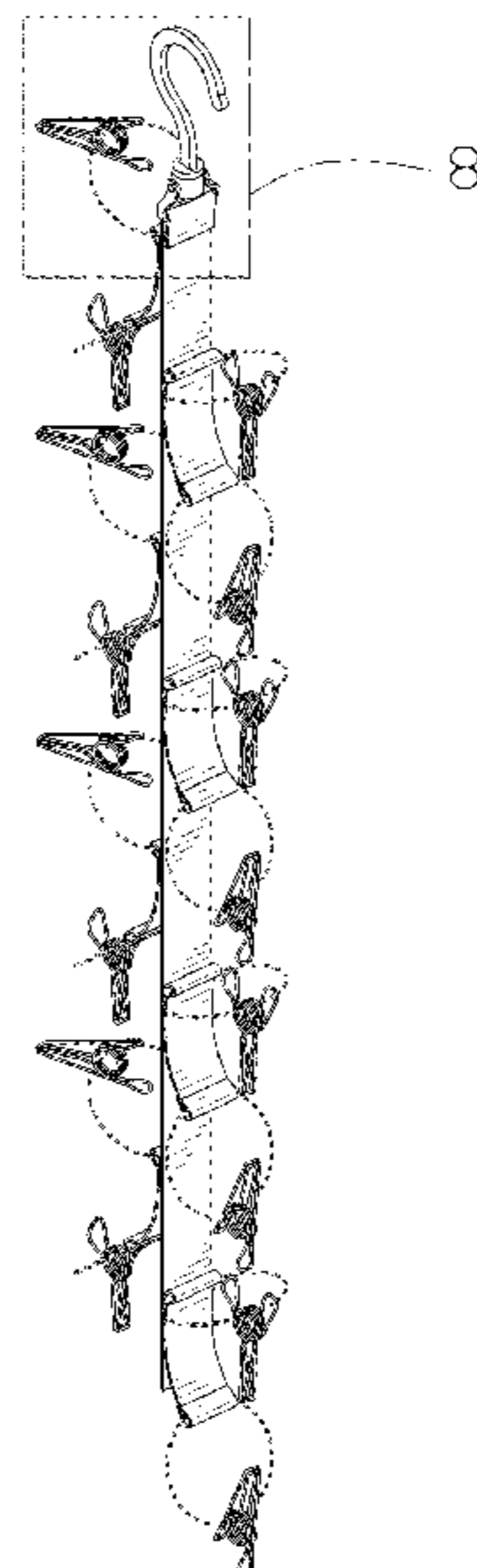
U.S. PATENT DOCUMENTS

D190,608 S \* 6/1961 Forrester ..... D8/372

D211,795 S \* 7/1968 Wooten ..... D6/317

D219,704 S \* 1/1971 Ziayiek, Jr. .... D8/367

D249,035 S 8/1978 Martin



(56)

**References Cited**

## U.S. PATENT DOCUMENTS

5,601,197 A \* 2/1997 Baxter ..... A47F 5/0006  
211/113  
D415,674 S \* 10/1999 Pahl ..... D8/373  
6,006,929 A \* 12/1999 Leonard ..... A47F 5/01  
211/106  
6,213,316 B1 \* 4/2001 Gretz ..... A47F 5/0884  
211/113  
D486,021 S \* 2/2004 Dion ..... D6/553  
D496,581 S \* 9/2004 Shaw ..... D6/514  
D499,294 S \* 12/2004 Scott ..... D6/552  
D526,167 S \* 8/2006 Chen ..... D6/553  
D536,564 S \* 2/2007 McGrath ..... D6/570  
D536,882 S \* 2/2007 Sheley ..... D6/323  
D546,601 S \* 7/2007 Murphy ..... D6/514  
D558,497 S \* 1/2008 Murphy ..... D6/514  
D569,620 S 5/2008 Stein  
D578,312 S \* 10/2008 Belokin ..... D6/315  
D582,686 S \* 12/2008 Belokin ..... D6/315  
7,481,340 B2 \* 1/2009 Murphy ..... A47G 25/743  
211/113  
D758,666 S \* 6/2016 Carrillo ..... D28/73  
D771,960 S \* 11/2016 McDonough ..... D6/328  
D785,442 S \* 5/2017 Tseng ..... D8/354  
D811,754 S \* 3/2018 Heroux ..... D6/315  
D852,520 S 7/2019 Dudley  
2004/0262250 A1 \* 12/2004 Kosir ..... A47F 5/0006  
211/113  
2013/0015148 A1 \* 1/2013 Valiulis ..... A47F 5/0006  
211/59.2  
2014/0034587 A1 \* 2/2014 Herold ..... A47B 61/04  
211/34  
2017/0127827 A1 \* 5/2017 Lehman ..... A47B 43/00

\* cited by examiner

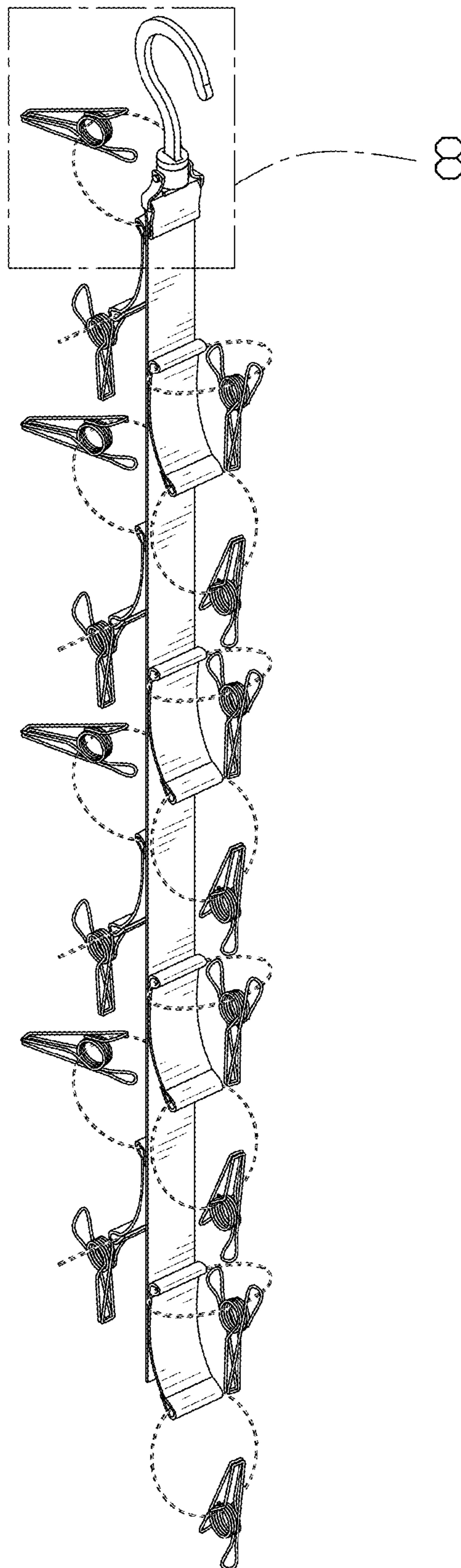


FIG. 1

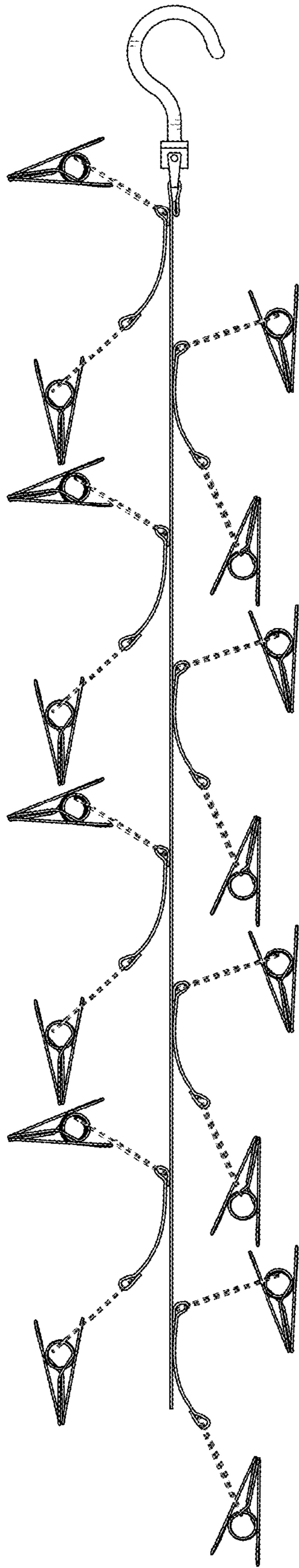


FIG. 2



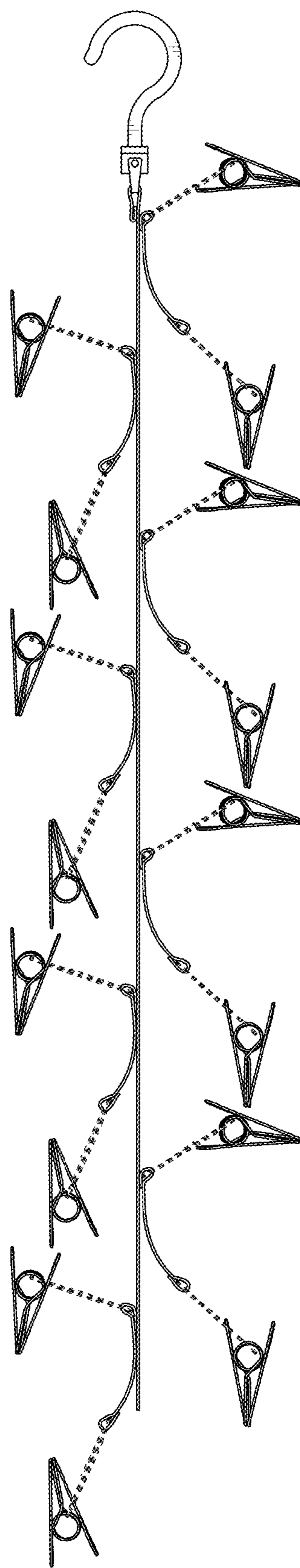


FIG. 3

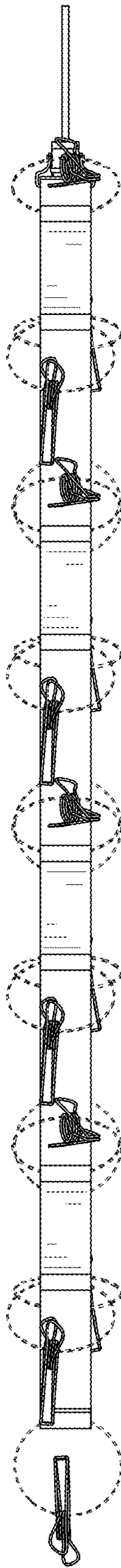


FIG. 4

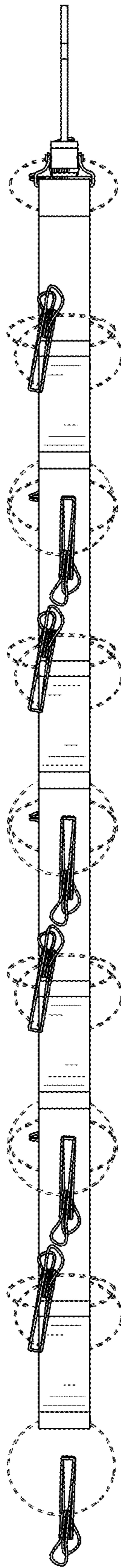


FIG. 5

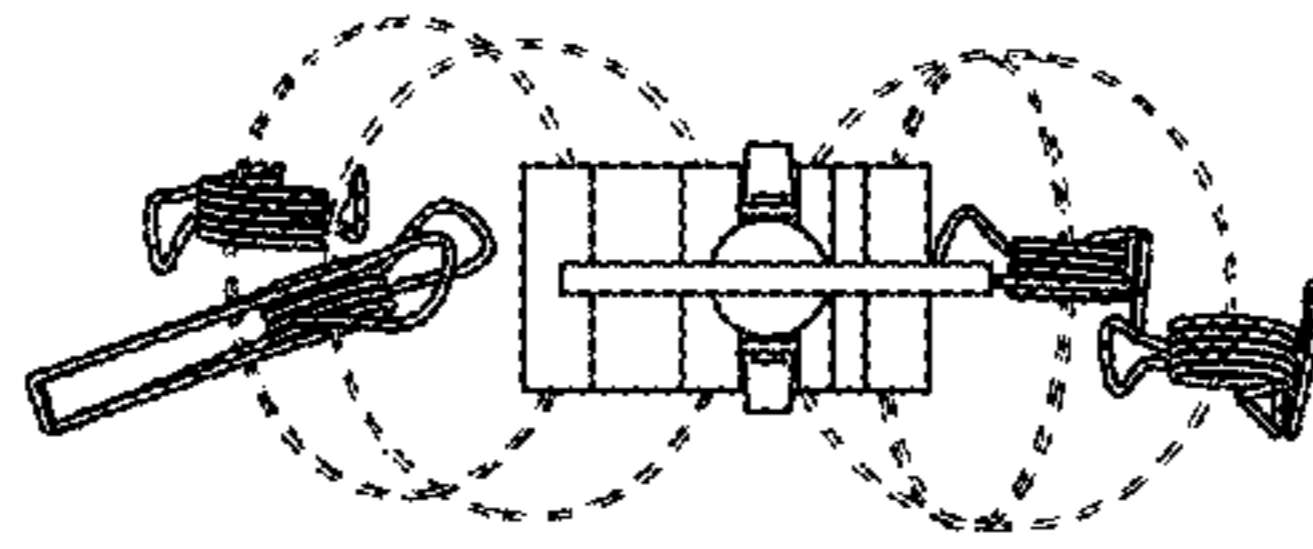


FIG. 6



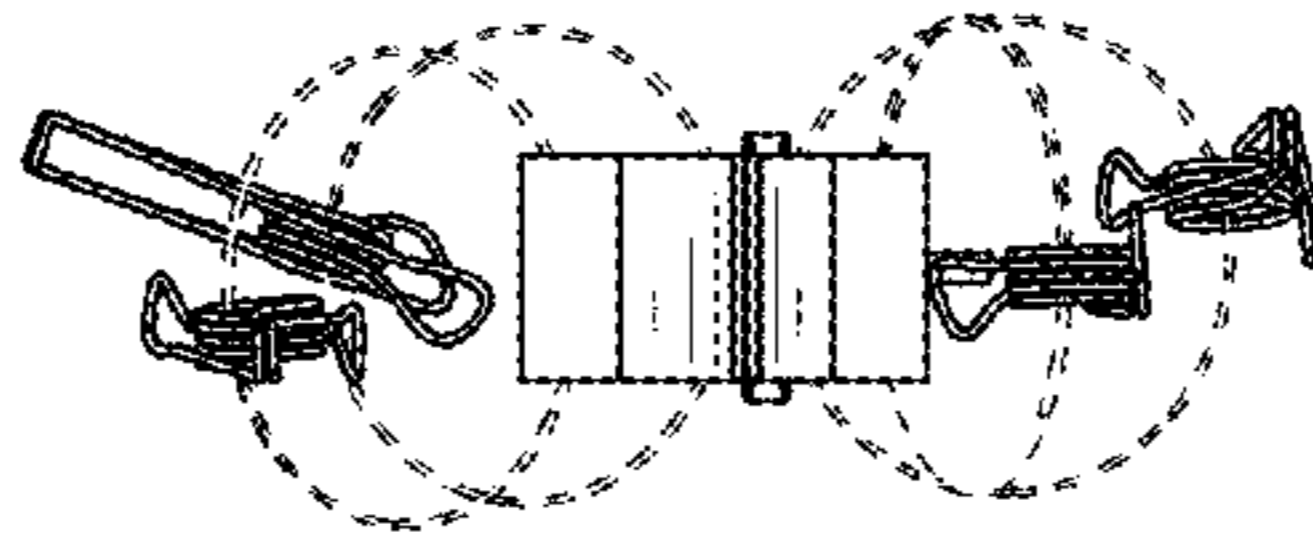


FIG. 7

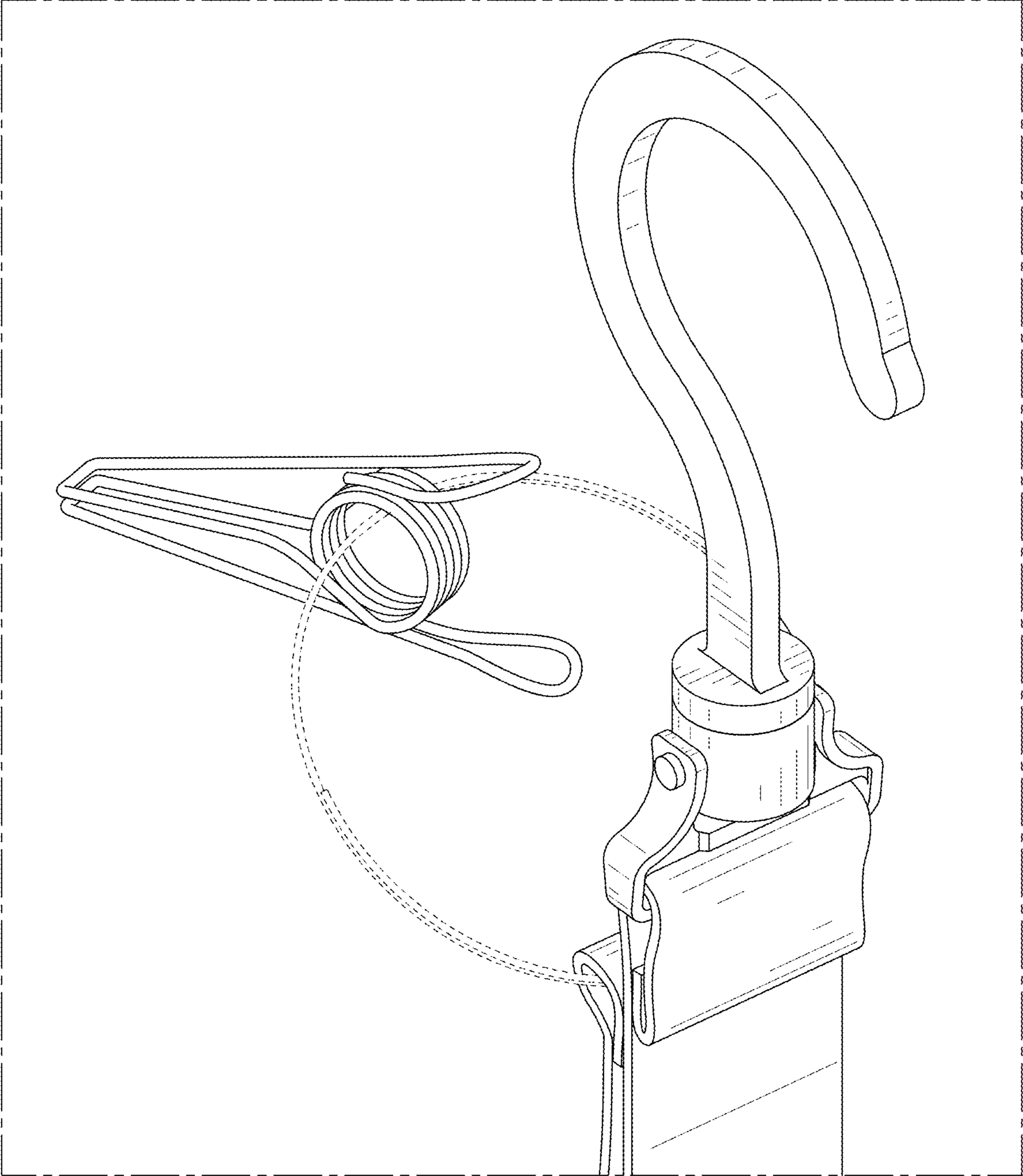


FIG. 8