



US00D878099S

(12) **United States Design Patent**
Glidewell

(10) **Patent No.:** **US D878,099 S**

(45) **Date of Patent:** **** Mar. 17, 2020**

- (54) **HANGING RACK**
- (71) Applicant: **Kathleen A. Glidewell**, The Colony, TX (US)
- (72) Inventor: **Kathleen A. Glidewell**, The Colony, TX (US)
- (**) Term: **15 Years**
- (21) Appl. No.: **29/627,553**
- (22) Filed: **Nov. 28, 2017**

Related U.S. Application Data

- (62) Division of application No. 29/590,128, filed on Jan. 6, 2017, now Pat. No. Des. 815,856.
- (51) **LOC (12) Cl.** **06-06**
- (52) **U.S. Cl.**
USPC **D6/567**; D6/548; D6/513
- (58) **Field of Classification Search**
USPC D6/567, 546-550, 512-525; 211/13.1, 211/16, 85.5, 86.01, 87.01, 88.04, 100, 211/105.1, 105.2, 106, 113, 123, 181.1, 211/182-183; 248/49, 175, 176.1, 200, 248/201, 205.1, 251, 302, 309.1, 315; D8/300, 315-321, 354, 363, 373, 380; 108/28-29; 242/570, 590, 595-598; D25/45
CPC A01N 59/00; A01N 25/04; A01N 25/24; D06F 39/12; G06Q 10/087
See application file for complete search history.

(56) **References Cited**

U.S. PATENT DOCUMENTS

953,130 A	3/1910	Fellows
1,386,775 A	8/1921	Fulford
1,542,181 A	6/1925	Sherman
1,595,940 A	8/1926	Inman

1,733,487 A	10/1929	Hackley	
1,863,204 A	6/1932	Miller	
1,874,056 A	8/1932	Matallana	
2,090,108 A	8/1937	Cicero	
3,468,426 A	9/1969	Loewy	
4,896,778 A	1/1990	Ferdinand et al.	
D324,139 S	2/1992	Frazier	
5,172,816 A	12/1992	Kline et al.	
D453,436 S *	2/2002	Hoernig	D6/548
D453,649 S *	2/2002	Hoernig	D6/548
D471,747 S *	3/2003	Kollner	D6/513
D477,485 S *	7/2003	Hoernig	D6/548
D477,737 S *	7/2003	Hoernig	D6/548
D492,528 S *	7/2004	Graves	D6/548
D493,317 S *	7/2004	Hoernig	D6/548
7,237,687 B1	7/2007	Abdi et al.	
7,249,679 B2	7/2007	Klein	
D569,153 S *	5/2008	Bickler	D6/548
D570,631 S *	6/2008	Goodman	D6/514
D575,089 S *	8/2008	Krumpe	D6/548

(Continued)

Primary Examiner — Nathan M Johnston

(74) *Attorney, Agent, or Firm* — Hemingway & Hansen, LLP; D. Scott Hemingway; Elizabeth Hartman

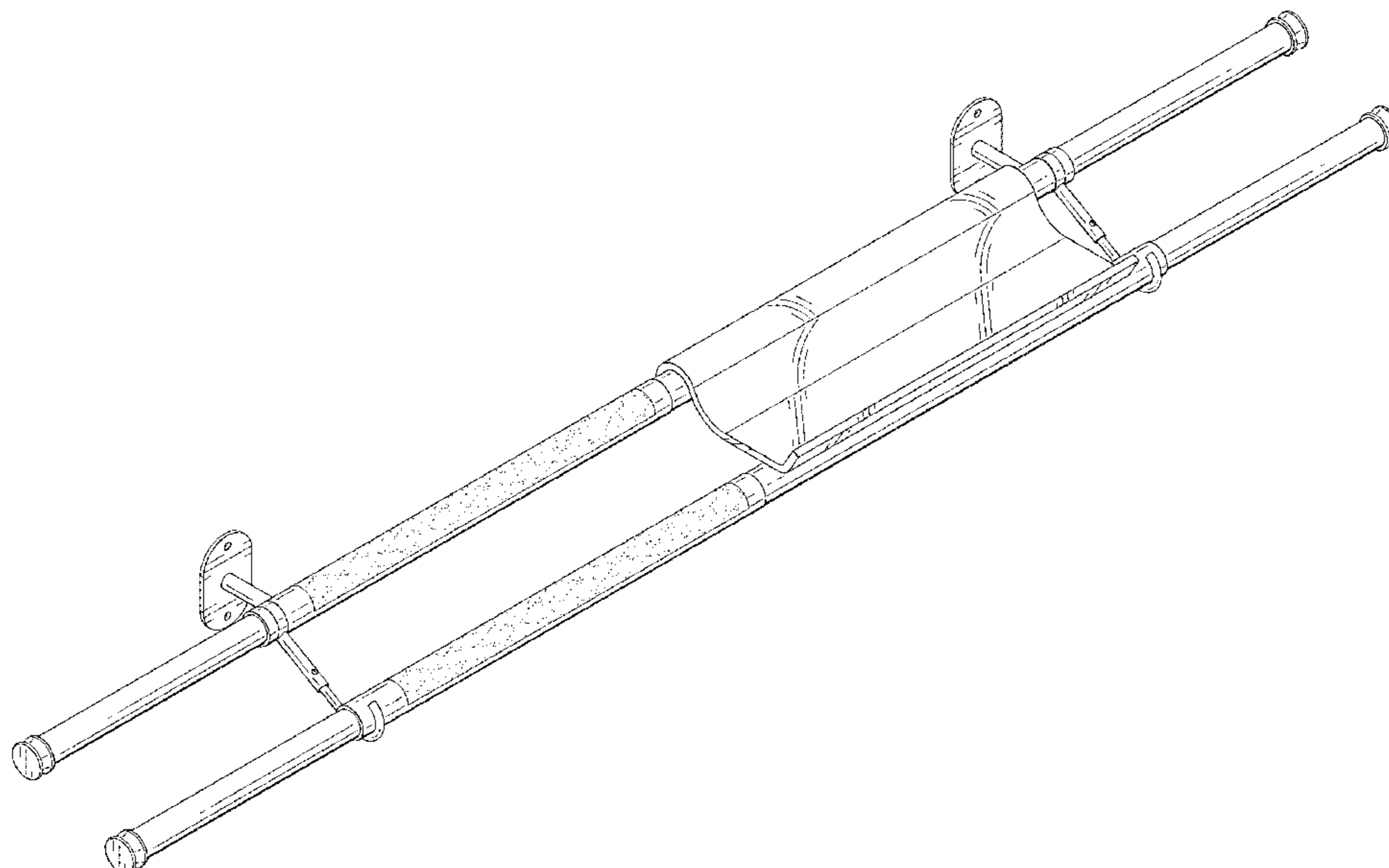
(57) **CLAIM**

The ornamental design for a hanging rack, as shown and described.

DESCRIPTION

FIG. 1 is a front perspective view of my new hanging rack design;
 FIG. 2 is a front elevation view of my new hanging rack design;
 FIG. 3 is a rear elevation view of my new hanging rack design;
 FIG. 4 is a right side view of my new hanging rack design;
 FIG. 5 is a left side view of my new hanging rack design;
 FIG. 6 is a top view of my new hanging rack design; and,
 FIG. 7 is a bottom view of my new hanging rack design.

1 Claim, 3 Drawing Sheets



(56)

References Cited

U.S. PATENT DOCUMENTS

D598,218 S	8/2009	Siegel	
D668,493 S *	10/2012	Krumpe	D6/548
D668,900 S *	10/2012	Romero	D6/548
D671,777 S *	12/2012	Kwok	D6/548

* cited by examiner

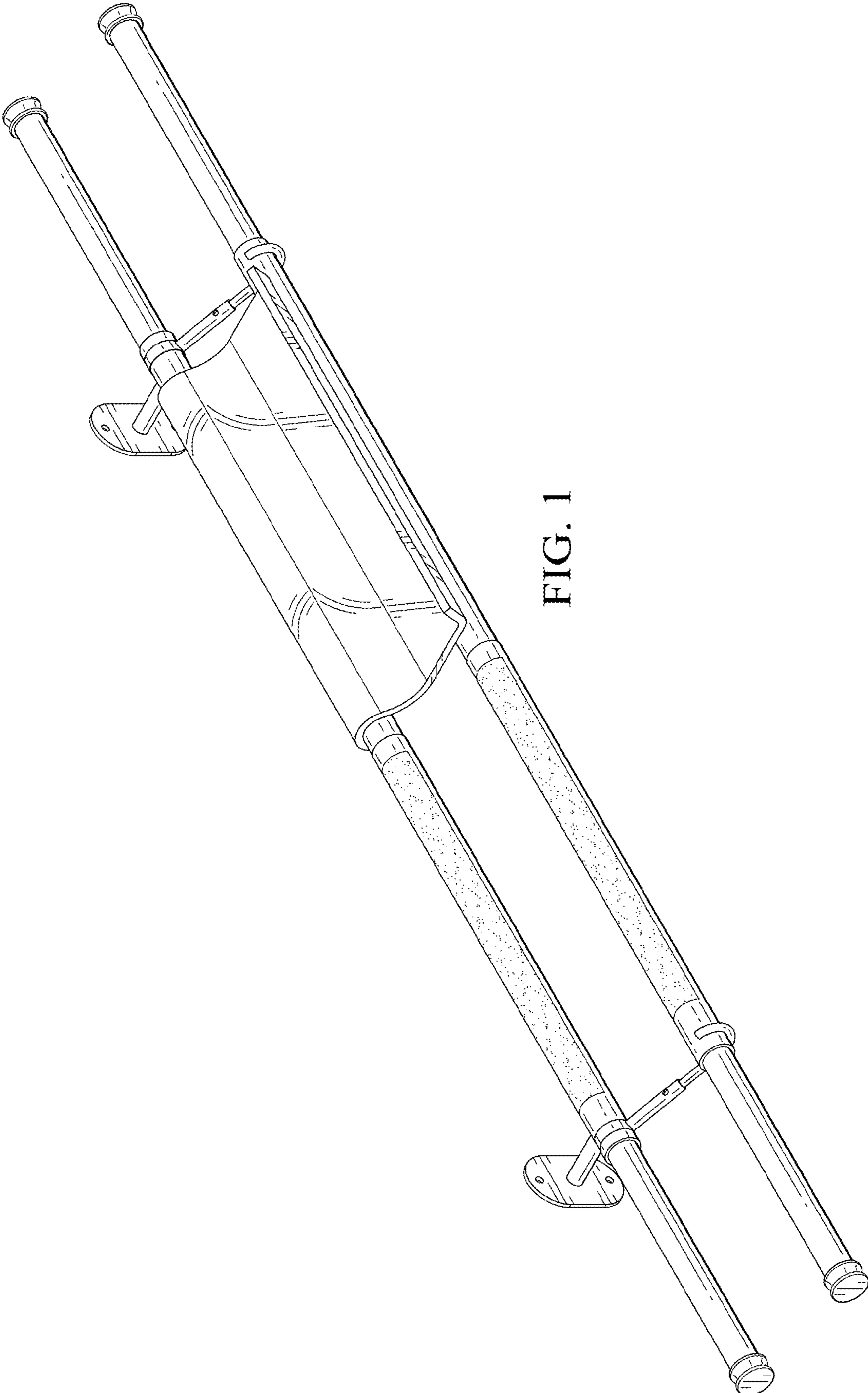


FIG. 1

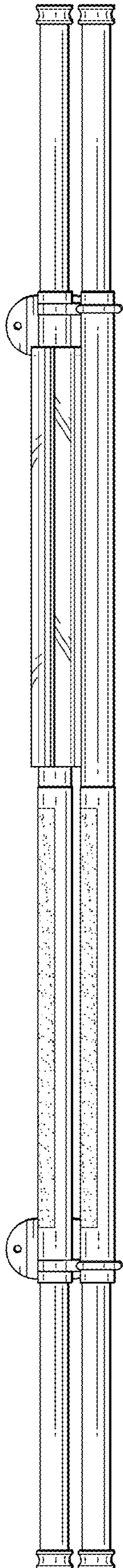


FIG. 2

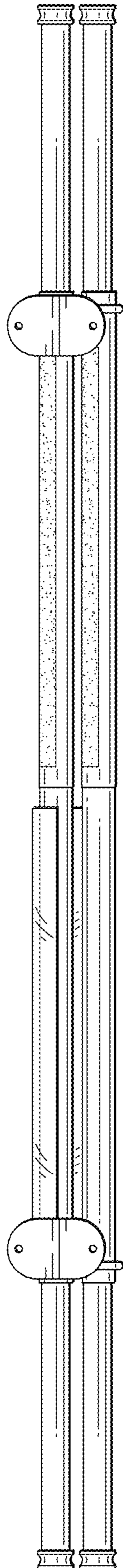


FIG. 3

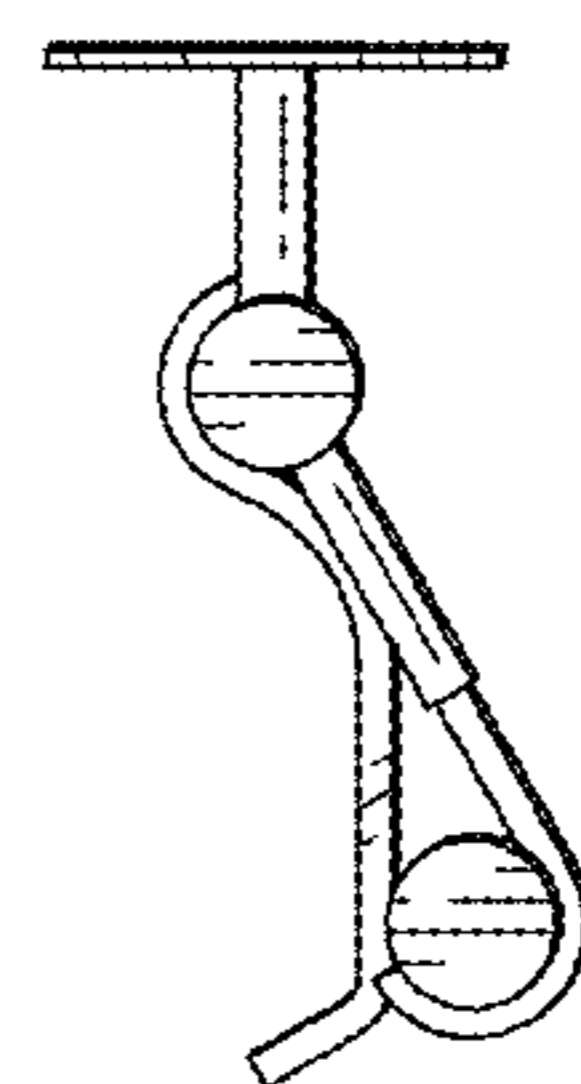


FIG. 4

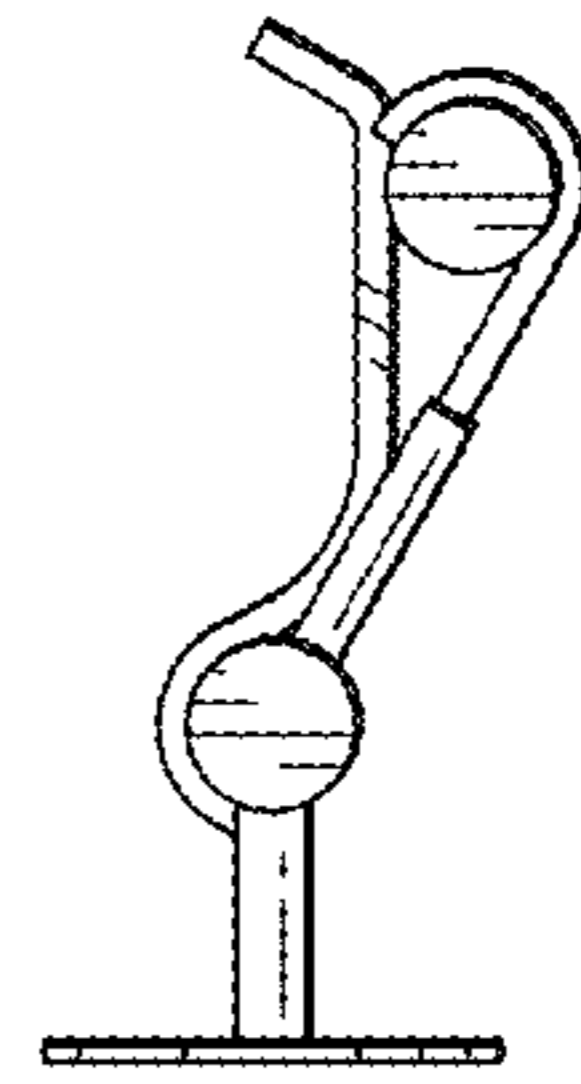


FIG. 5

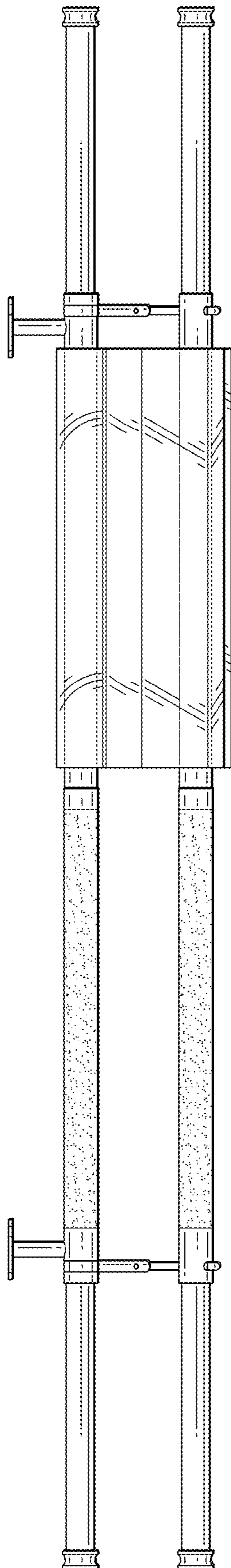


FIG. 6

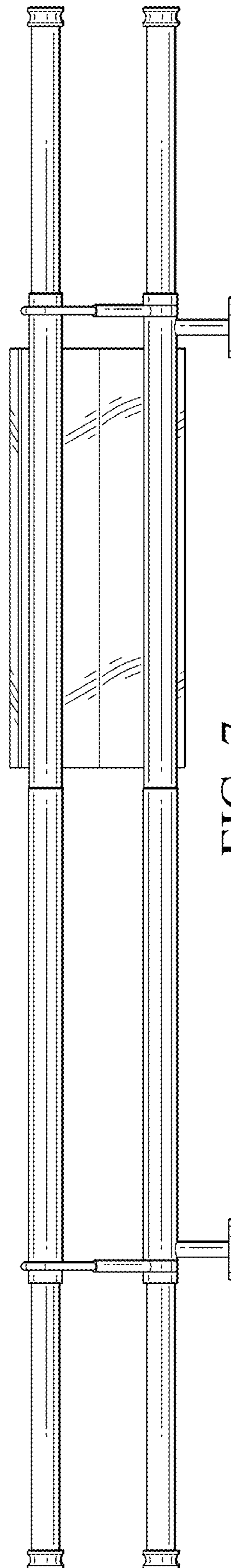


FIG. 7