



US00D878098S

(12) **United States Design Patent** (10) **Patent No.:** **US D878,098 S**  
**Goodman et al.** (45) **Date of Patent:** **\*\* Mar. 17, 2020**

- (54) **BASKET WITH HOOKS**
- (71) Applicant: **Spectrum Diversified Designs, LLC**,  
Streetsboro, OH (US)
- (72) Inventors: **Aaron Goodman**, Beachwood, OH  
(US); **Courtney Wilson**, Chardon, OH  
(US)
- (73) Assignee: **SPECTRUM DIVERSIFIED  
DESIGNS, LLC**, Streetsboro, OH (US)
- (\*\*) Term: **15 Years**
- (21) Appl. No.: **29/633,602**
- (22) Filed: **Jan. 15, 2018**
- (51) **LOC (12) Cl.** ..... **06-04**
- (52) **U.S. Cl.**  
USPC ..... **D6/566**
- (58) **Field of Classification Search**  
USPC ..... D6/553, 512-514, 567, 569, 566, 572;  
211/10, 11, 42, 45, 50, 88.01, 126.1,  
211/13.1, 70.6, 70.7, 32, 35, 85.9, 54.1,  
211/59.1, 66, 86.01, 56; D19/75-80, 86,  
D19/87, 89-92; 206/215, 425, 556, 557;  
248/200, 205.1, 235, 301, 304, 309.1,  
248/309.2  
CPC ..... B65D 11/38; B65D 85/8043; A47J 47/18;  
A47J 45/00; A47G 29/10; A47G 29/12;  
A47B 17/03  
See application file for complete search history.

- D704,959 S \* 5/2014 Callif ..... D6/567
- D705,565 S \* 5/2014 Schraufnagel ..... D6/513
- D746,592 S \* 1/2016 Goodman ..... D3/306
- D771,972 S \* 11/2016 Tsai ..... D6/569
- D774,798 S \* 12/2016 Goodman ..... D6/537
- D784,721 S 4/2017 Goodman
- D786,557 S \* 5/2017 Goodman ..... D3/306

**OTHER PUBLICATIONS**

Spectrum Diversified website, Vintage Wire Wall Basket & Hook Station, Jan. 9, 2019, <https://www.spectrumdiversified.com/products/vintage-wire-wall-mount-basket-hook-station> (Year: 2019).\*

Franklin Brass FBMAIL4-ZP-R Industrial Style Wire Mail Holder | Amazon web page, [https://www.amazon.com/Franklin-Brass-FBMAIL4-ZP-R-Industrial-Holder/dp/B01M046CVY/ref=asc\\_df\\_B01M046CVY/?tag=bingshoppinga-20&linkCode=df0&hvadid={creative}&hvpos={adposition}&hvnetw=o&hvrand={random}&hvpone=&hvptwo=&hvqmt=e&hvdev=c&hvdvcmid={devicemodel}&hvlocint=&hvlocphy=&hvtargid=pla-4583795260420811&psc=1](https://www.amazon.com/Franklin-Brass-FBMAIL4-ZP-R-Industrial-Holder/dp/B01M046CVY/ref=asc_df_B01M046CVY/?tag=bingshoppinga-20&linkCode=df0&hvadid={creative}&hvpos={adposition}&hvnetw=o&hvrand={random}&hvpone=&hvptwo=&hvqmt=e&hvdev=c&hvdvcmid={devicemodel}&hvlocint=&hvlocphy=&hvtargid=pla-4583795260420811&psc=1), dated: Dec. 15, 2017, 1 page.

\* cited by examiner

*Primary Examiner* — Nathan M Johnston  
(74) *Attorney, Agent, or Firm* — Tucker Ellis LLP

(57) **CLAIM**

The ornamental design for a basket with hooks, as shown and described.

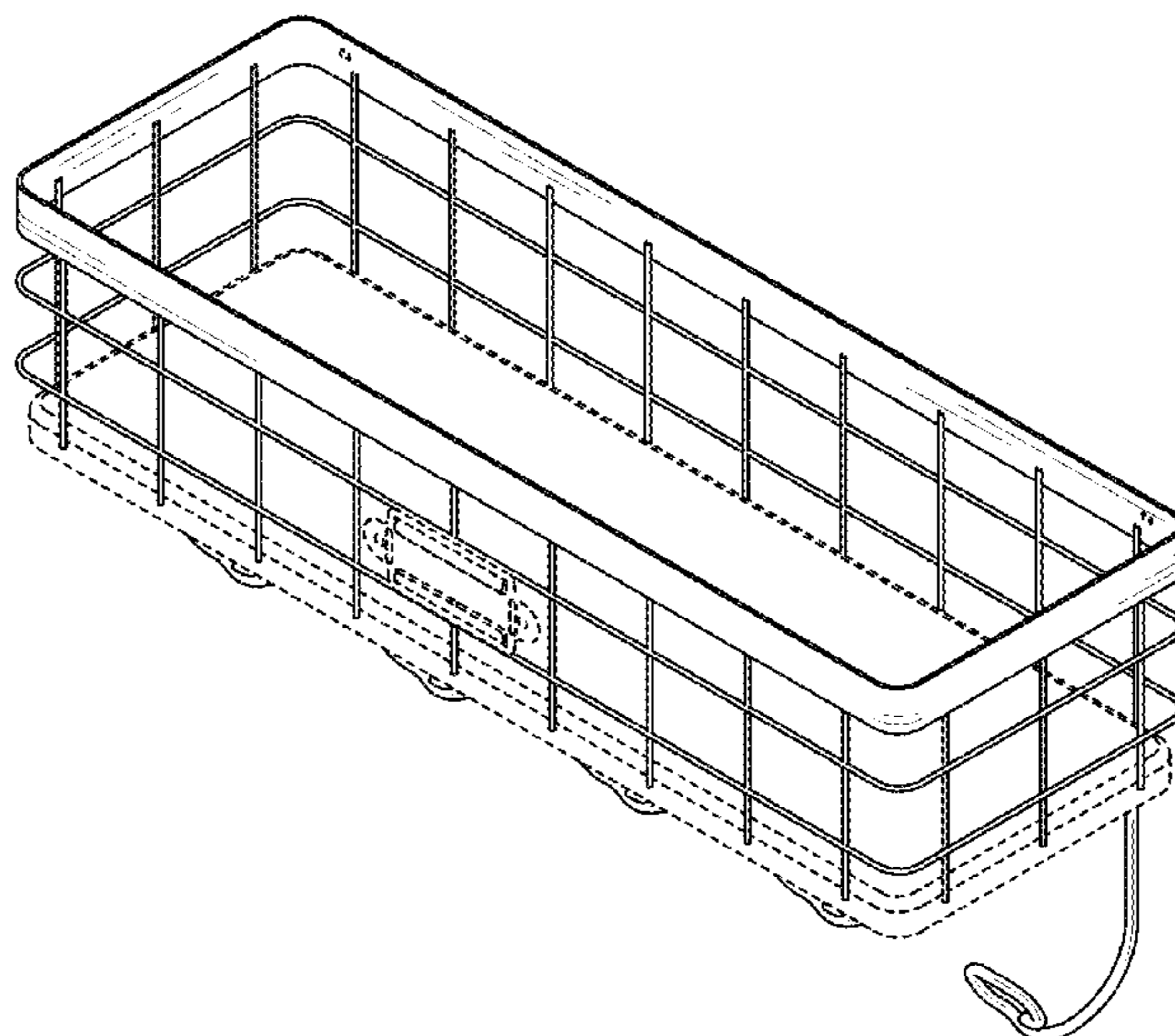
**DESCRIPTION**

FIG. 1 is a perspective view of a basket with hooks showing our new design.  
FIG. 2 is a rear view thereof.  
FIG. 3 is a front view thereof.  
FIG. 4 is a top view thereof.  
FIG. 5 is a bottom view thereof.  
FIG. 6 is a right side view thereof; and,  
FIG. 7 is a left side view thereof.  
The broken lines show portions of the design that form no part of the claimed design.

**1 Claim, 4 Drawing Sheets**

(56) **References Cited**  
U.S. PATENT DOCUMENTS

- D479,663 S \* 9/2003 Snell ..... D6/525
- D559,024 S \* 1/2008 Tau ..... D6/566
- D584,056 S \* 1/2009 Ghiorghie ..... D3/304
- D616,680 S \* 6/2010 Snider ..... D6/513
- D617,126 S \* 6/2010 Snider ..... D6/513
- D661,935 S \* 6/2012 Kozak ..... D6/566
- D698,186 S \* 1/2014 Funchess ..... D6/552



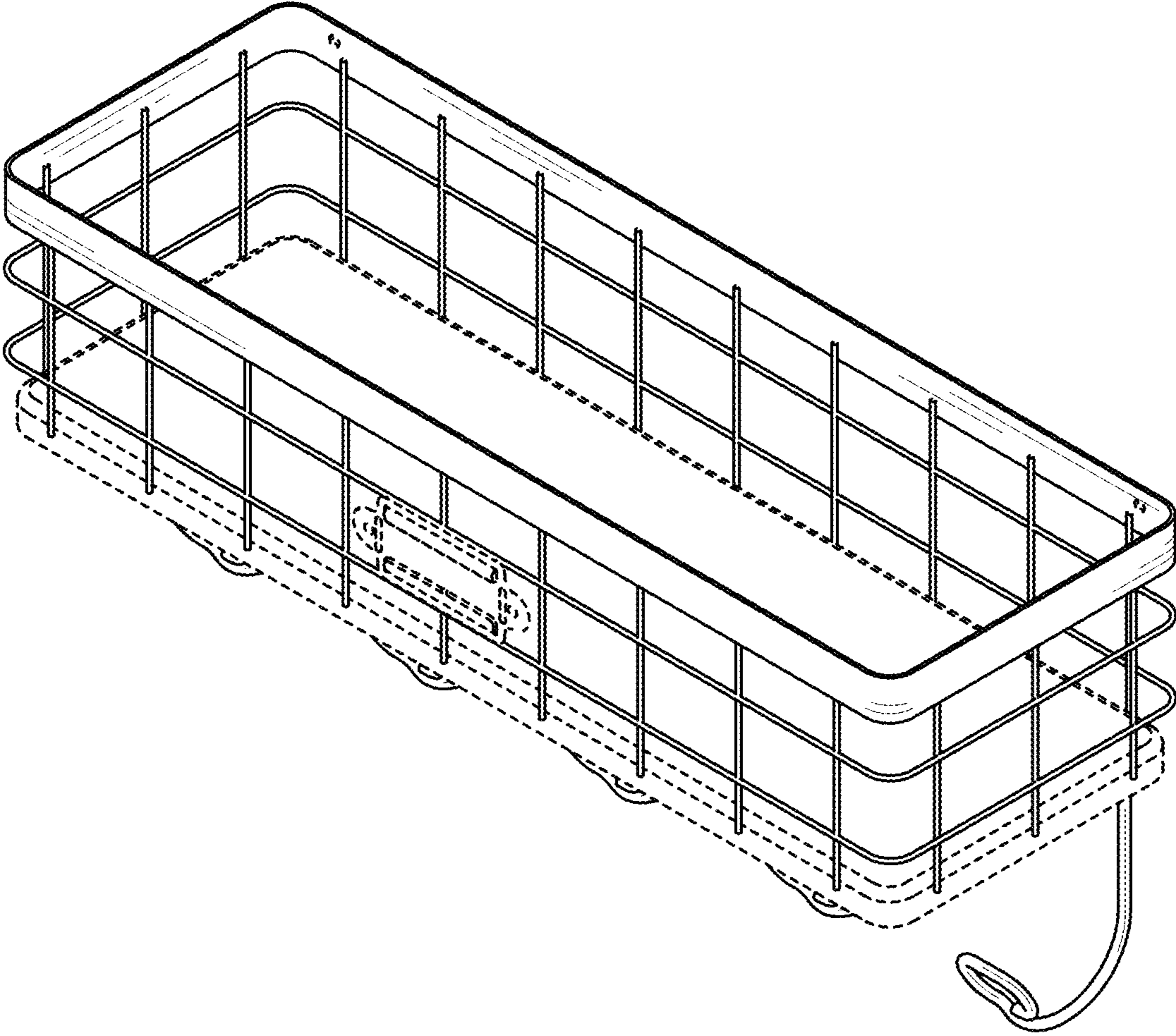


FIG. 1

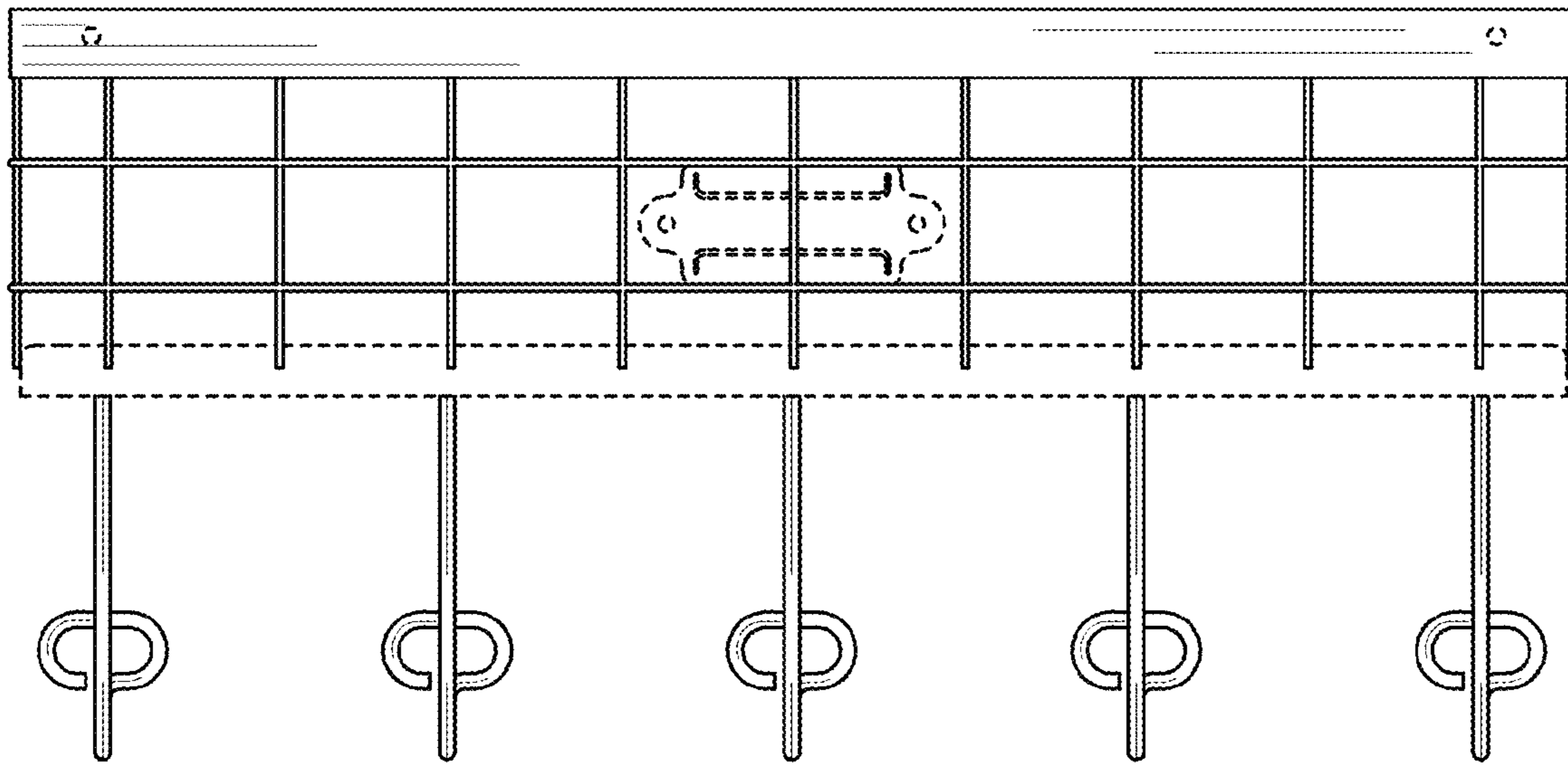


FIG. 2

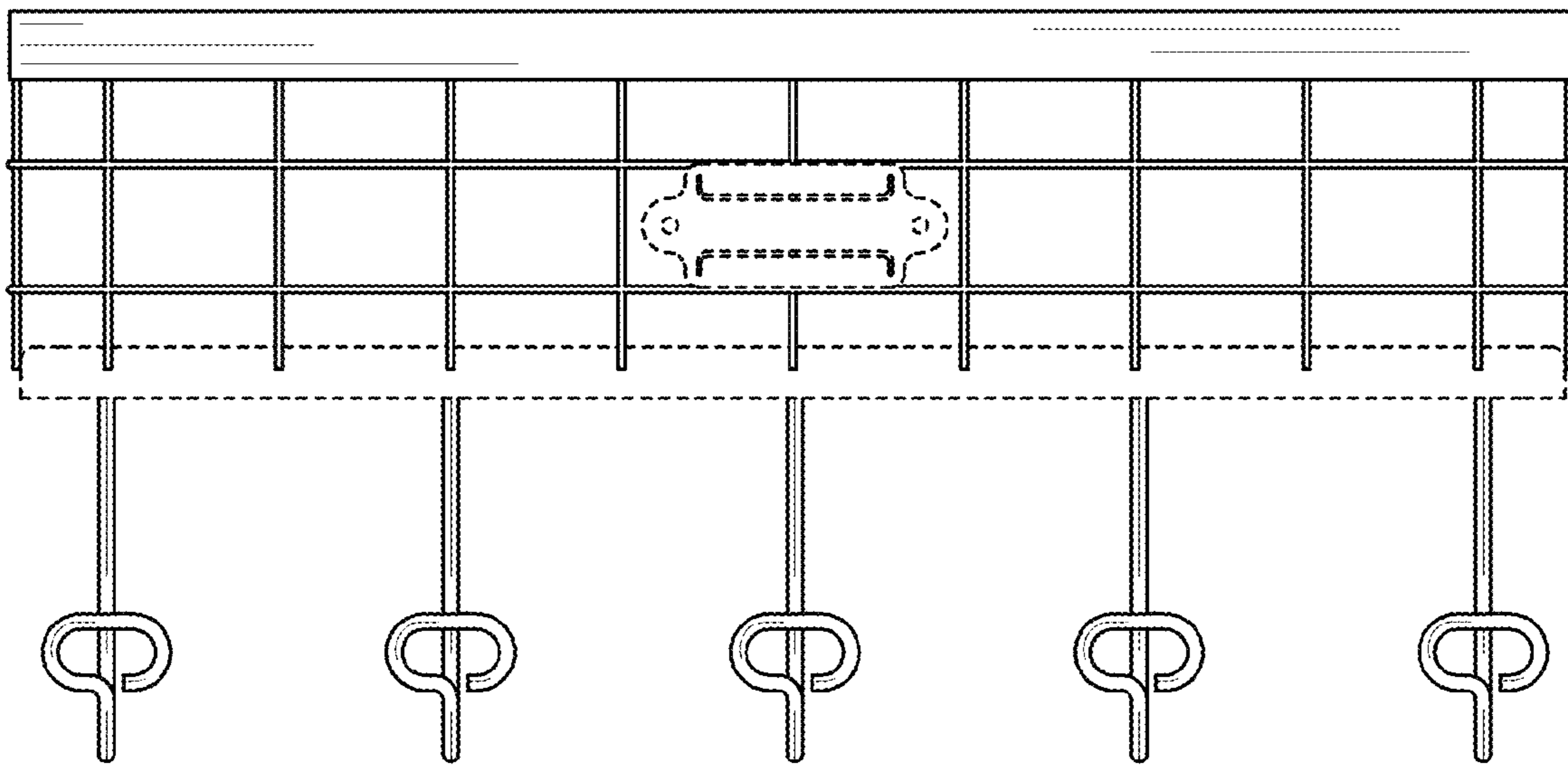


FIG. 3



FIG. 4

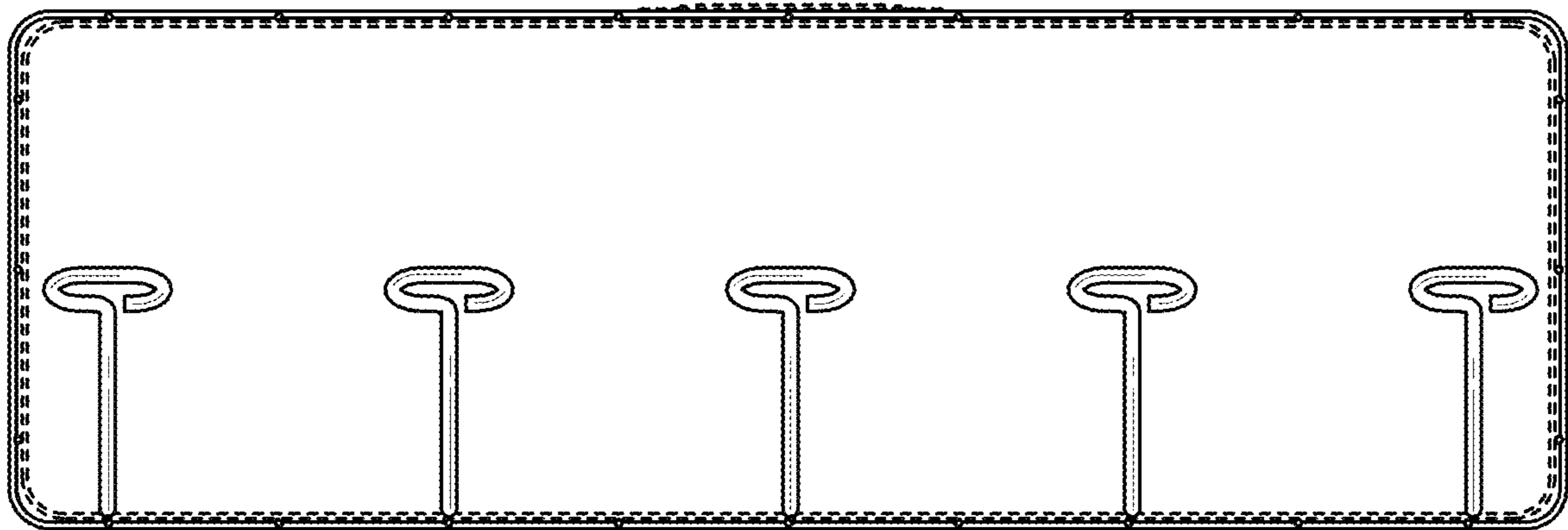


FIG. 5

