



US00D878095S

(12) **United States Design Patent**
Dunahay

(10) **Patent No.:** **US D878,095 S**
(45) **Date of Patent:** **** Mar. 17, 2020**

- (54) **STORAGE TRAY**
- (71) Applicant: **Coulter Ventures LLC**
- (72) Inventor: **Nash Dunahay**, Gahanna, OH (US)
- (73) Assignee: **Coulter Ventures, LLC.**, Columbus, OH (US)
- (**) Term: **15 Years**
- (21) Appl. No.: **29/638,911**
- (22) Filed: **Mar. 1, 2018**
- (51) **LOC (12) Cl.** **06-04**
- (52) **U.S. Cl.**
USPC **D6/553**
- (58) **Field of Classification Search**
USPC D6/553, 513, 552, 566, 574, 449, 635,
D6/672, 684; D3/304, 306, 309;
D9/432, 433, 456; 108/51.3, 102, 108;
206/784; 211/86.01, 88.01, 90.01, 90.02,
211/119.003, 153, 119.002, 126.1, 126.6,
211/132.11, 133.3, 175, 207, 208
CPC A47F 1/04; A47F 1/14
See application file for complete search history.

- D409,035 S * 5/1999 Belokin D6/574
- D493,995 S * 8/2004 Chen D6/553
- D594,230 S * 6/2009 Barkdoll D3/304
- 8,042,700 B1 * 10/2011 Smalley A47F 5/0807
211/88.01
- D655,989 S * 3/2012 Nelms D7/409
- D730,080 S * 5/2015 Henn D6/574
- D736,010 S * 8/2015 Reed, Jr. D6/553
- D750,909 S * 3/2016 Hickman D3/304

(Continued)

OTHER PUBLICATIONS

Rouge fitness website, Monster Mass Storage Hangers—Storage Bin Hanger, Jan. 10, 2019, https://www.roguefitness.com/monster-mass-storage-hangers?prod_id=52779&gclid=EAlalQobChM19-fngLLj3w1ViouzCh0pSQREEAQYAiABEgJLR_D_BwE.*

(Continued)

Primary Examiner — Nathan M Johnston
(74) *Attorney, Agent, or Firm* — Banner & Witcoff, Ltd.

(57) **CLAIM**

The ornamental design for a storage tray, as shown and described.

DESCRIPTION

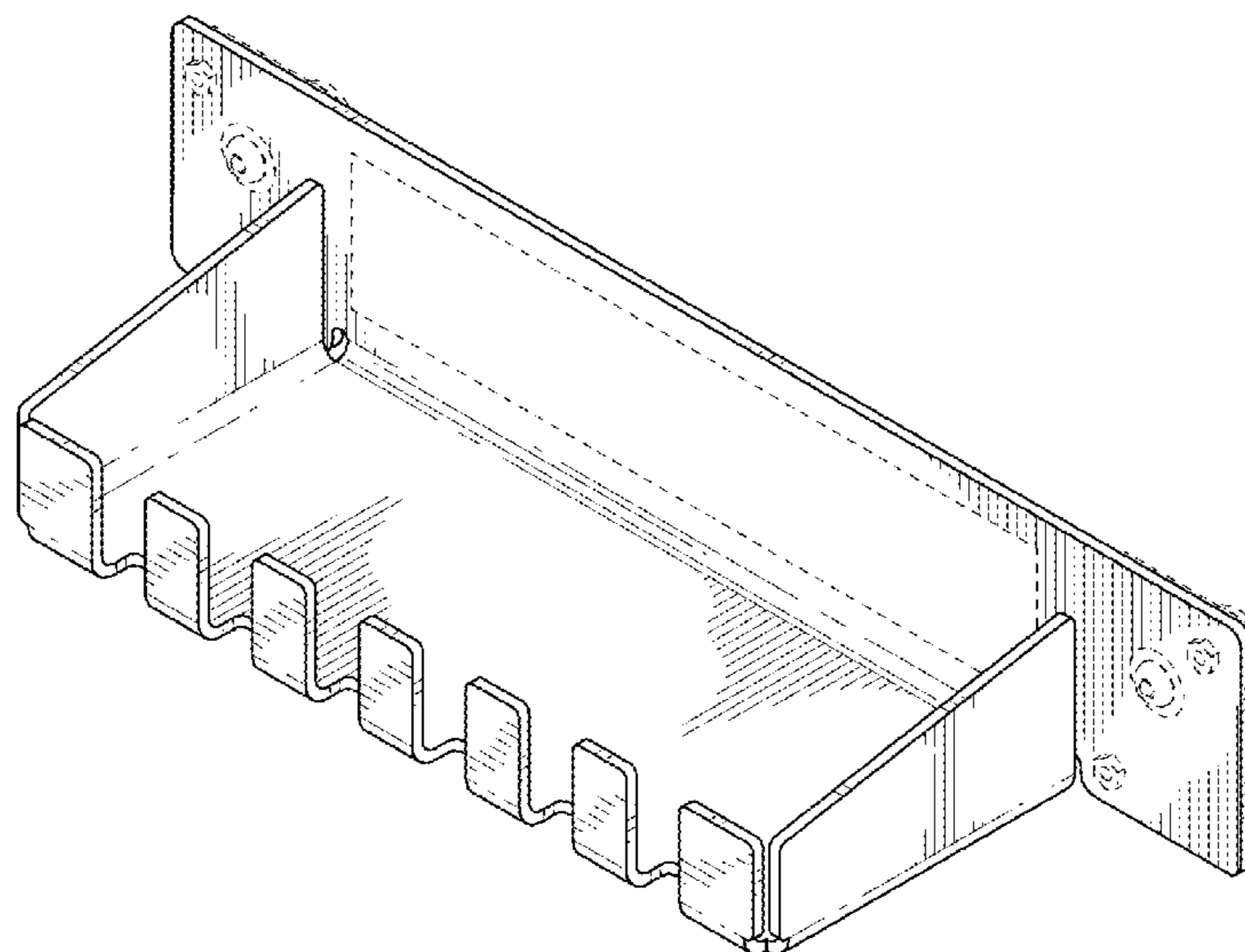
FIG. 1 is a top, front, left perspective view of a storage tray showing my new design;
FIG. 2 is a top view thereof;
FIG. 3 is a front view thereof;
FIG. 4 is a left side view thereof;
FIG. 5 is a right side view thereof; and,
FIG. 6 is a bottom view thereof.
The broken lines in contact with the shaded areas are boundary lines that form no part of the claimed design. The broken lines within the boundary lines show features that form no part of the claimed design. The unshaded surfaces within the broken line features form no part of the claimed design.

1 Claim, 5 Drawing Sheets

(56) **References Cited**

U.S. PATENT DOCUMENTS

- D116,600 S * 9/1939 Thorn 211/126.1
- 3,315,816 A * 4/1967 Mallory B25H 3/04
211/70.6
- 3,647,078 A * 3/1972 Fortunato A47F 5/0068
211/134
- D279,640 S * 7/1985 Walbeck D6/536
- D281,040 S * 10/1985 Campbell D6/567
- D309,970 S * 8/1990 Embree D3/304
- 4,998,627 A * 3/1991 Elder A47F 5/08
211/41.11
- D323,766 S * 2/1992 Robbins D6/553
- D392,144 S * 3/1998 Vogler D6/574
- D394,775 S * 6/1998 Anderson D6/574
- D398,470 S * 9/1998 St-Pierre D6/574



(56)

References Cited

U.S. PATENT DOCUMENTS

D751,304 S * 3/2016 Hickman D3/304
D774,800 S * 12/2016 Kniffen D6/553
D786,580 S * 5/2017 Chesterton D6/552
D833,173 S * 11/2018 Belokin D6/574
D833,174 S * 11/2018 Belokin D6/574
2007/0205167 A1* 9/2007 Belokin A47F 5/0018
211/75
2015/0060379 A1* 3/2015 Larson A47G 29/08
211/71.01

OTHER PUBLICATIONS

Product listing for Rogue Multi-Use Hanger from <https://web.archive.org/web/20161106110525/http://www.roguefitness.com:80/multi-use-hanger>, dated Nov. 6, 2016.

Product listing for Rogue Belt and Band Hanger from <https://web.archive.org/web/20161025155052/http://www.roguefitness.com:80/belt-and-band-hanger>, dated Oct. 25, 2016.

Product listing for Rogue Wall Mount Jump Rope Hangers from <https://web.archive.org/web/20161117190737/http://www.roguefitness.com/rogue-wall-mount-jump-rope-hanger>, dated Nov. 17, 2016.

* cited by examiner

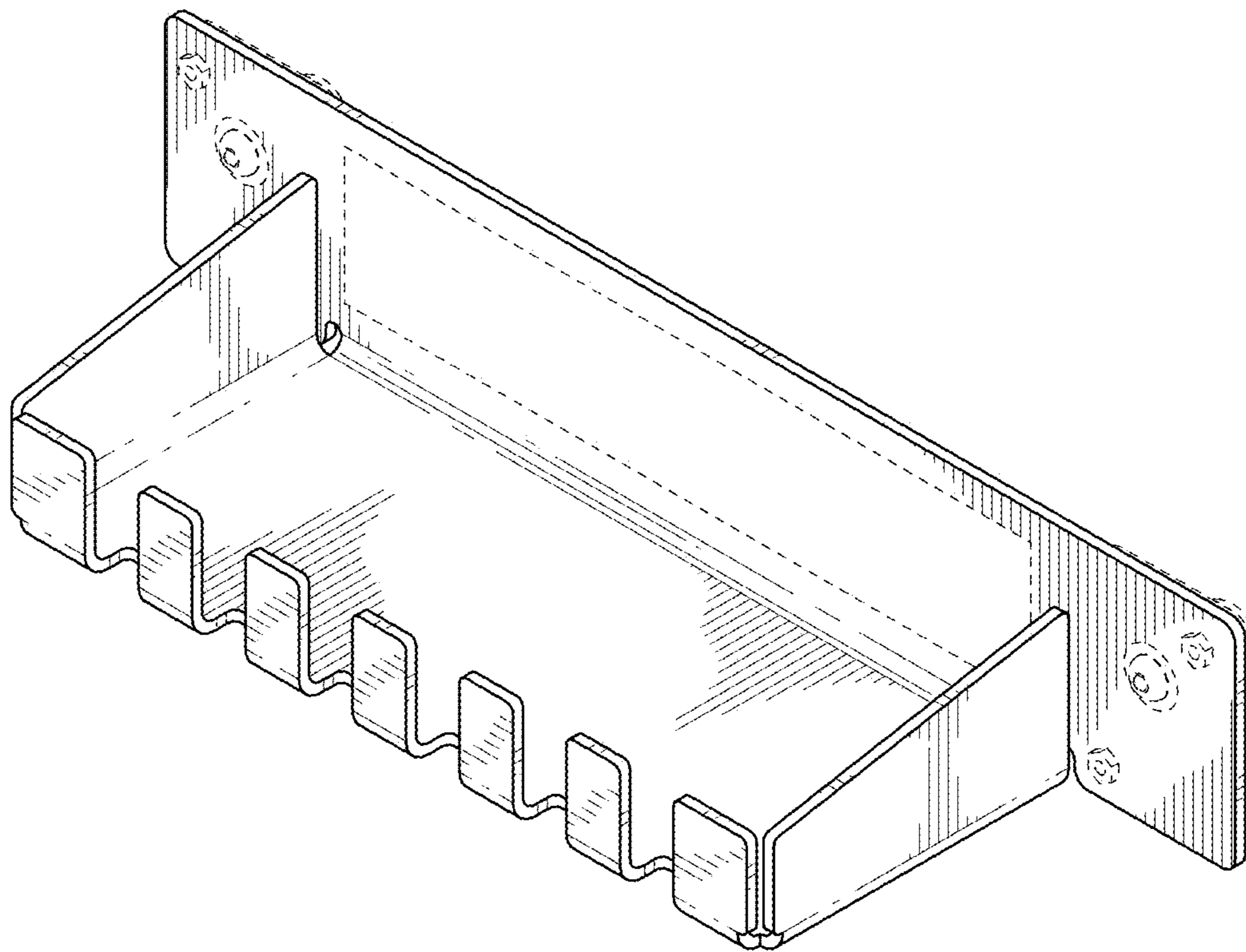


FIG. 1

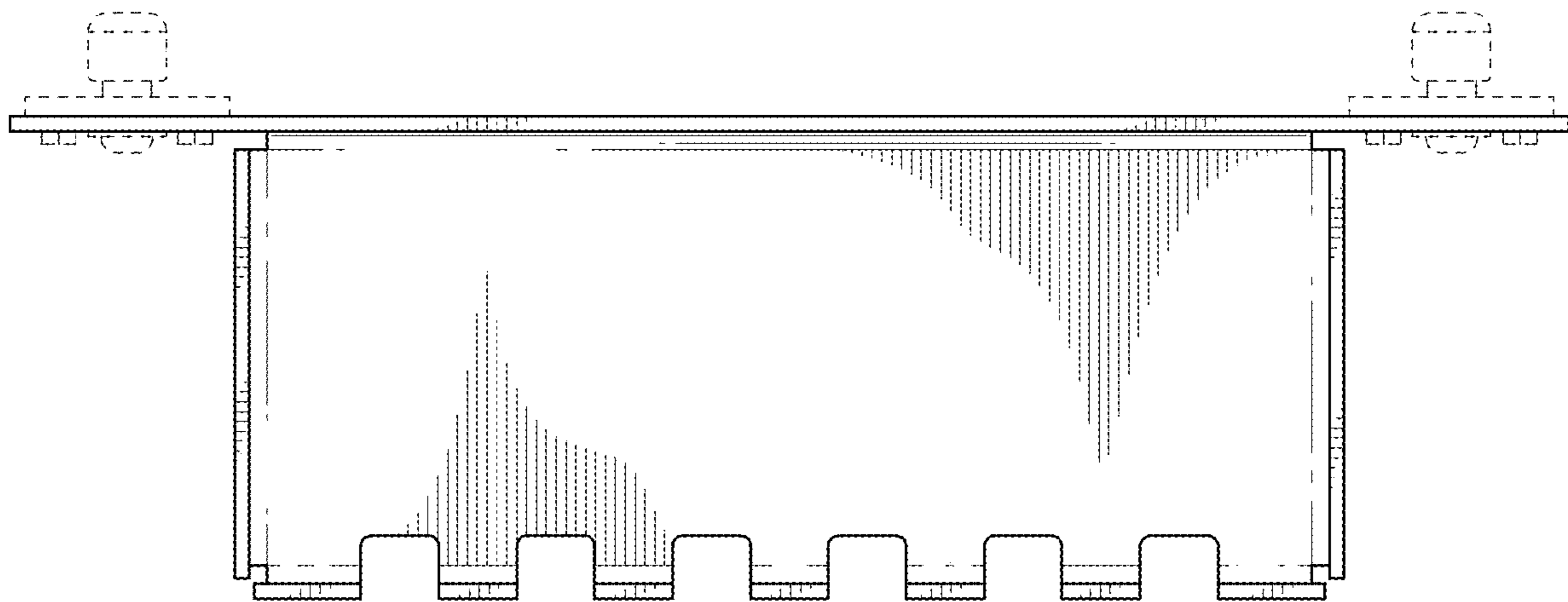


FIG. 2

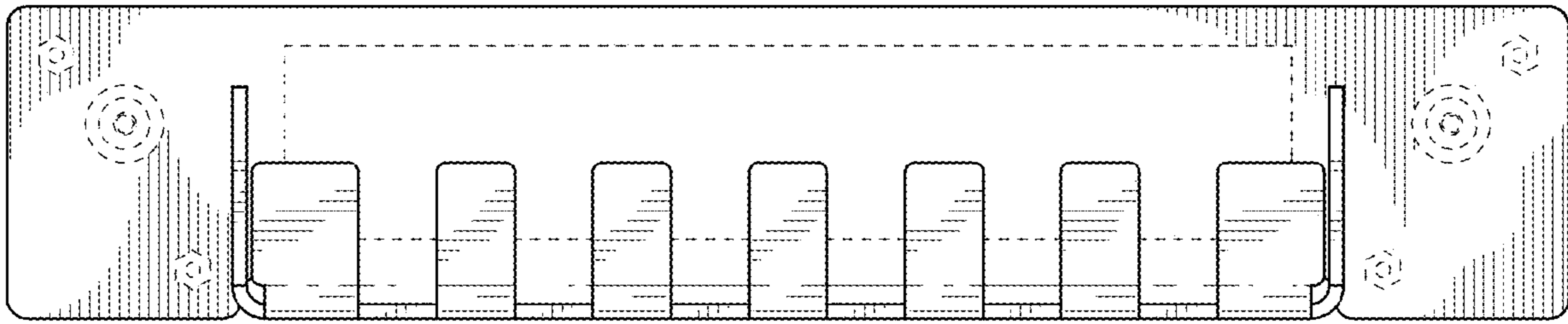


FIG. 3

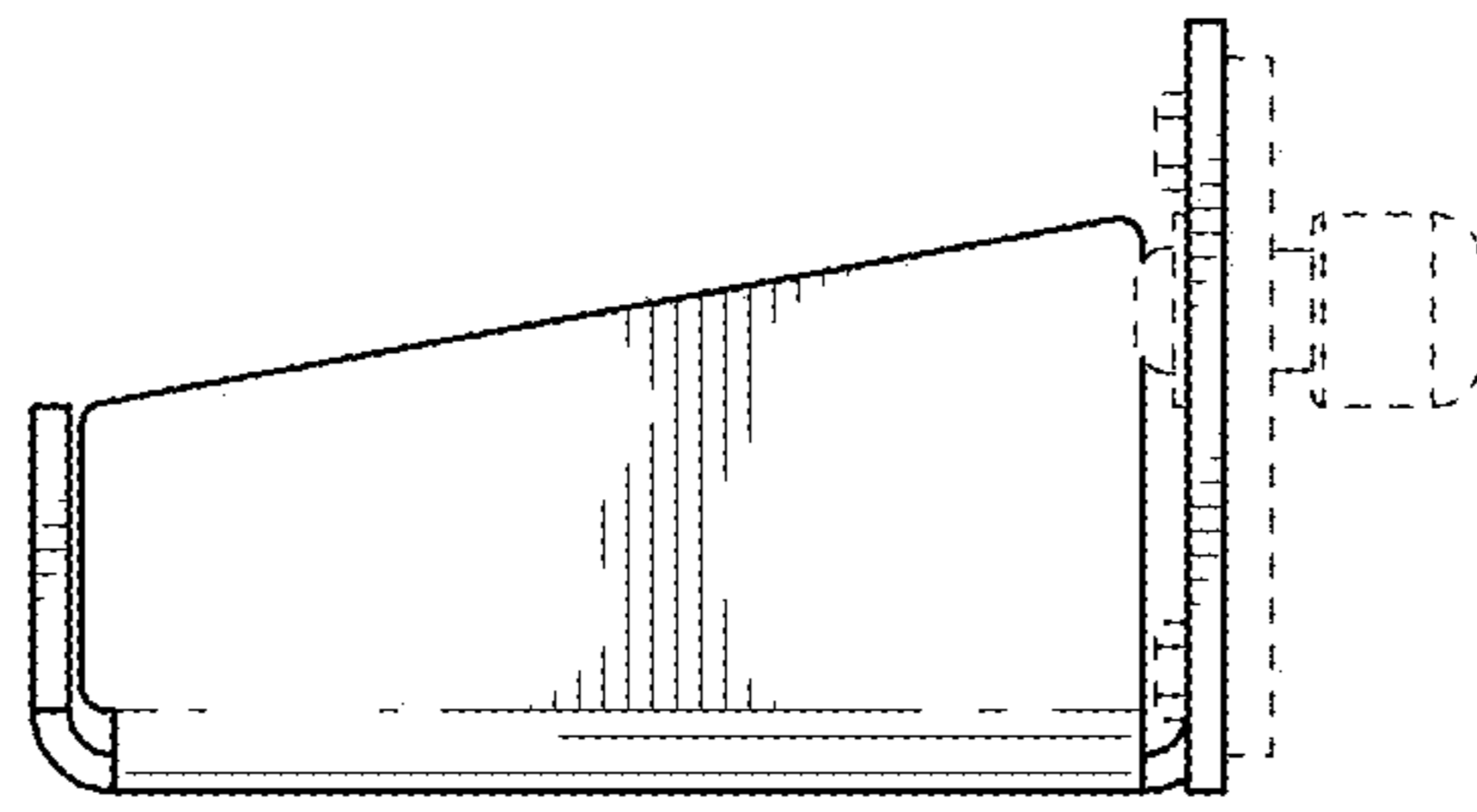


FIG. 4

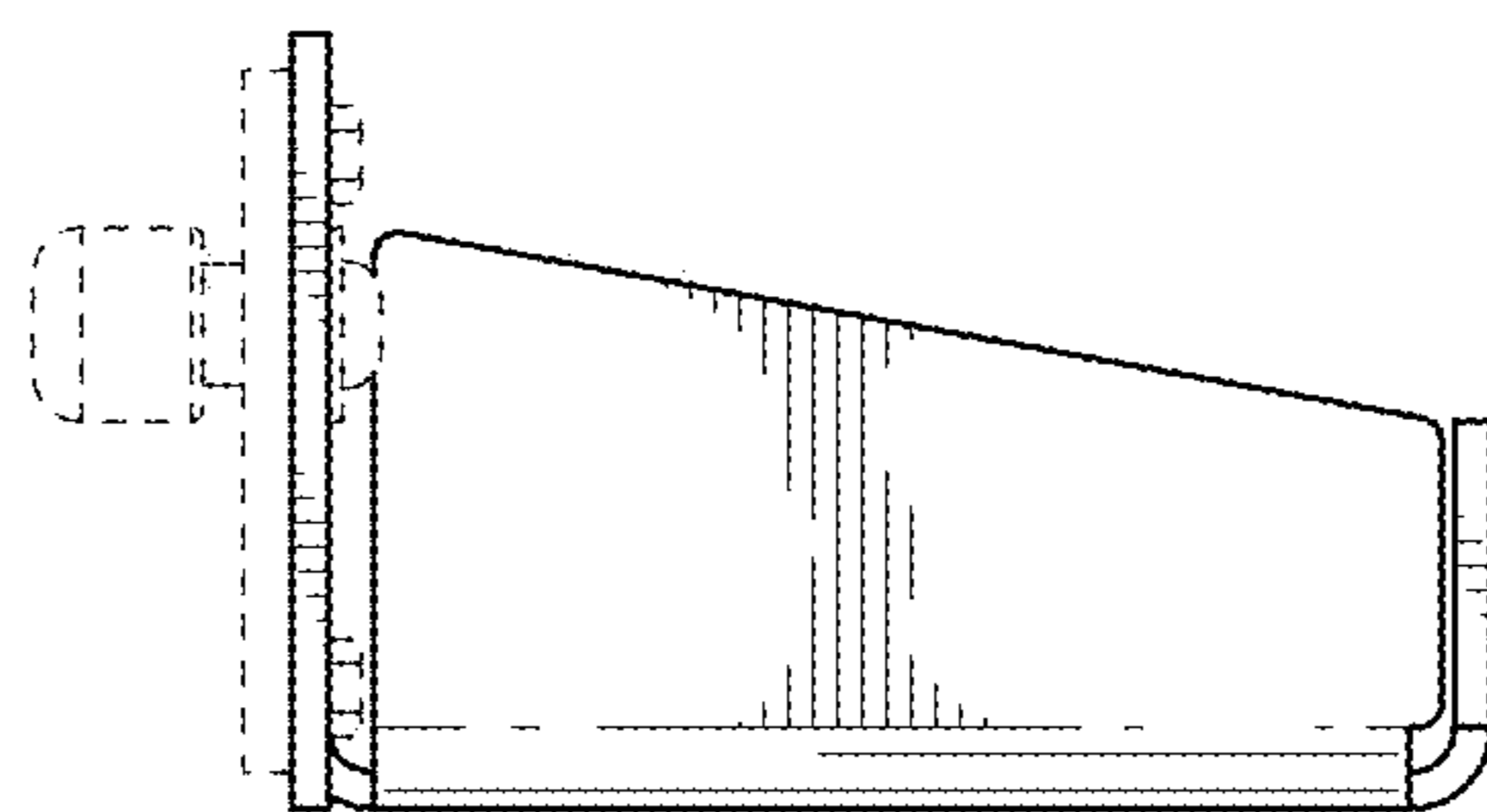


FIG. 5

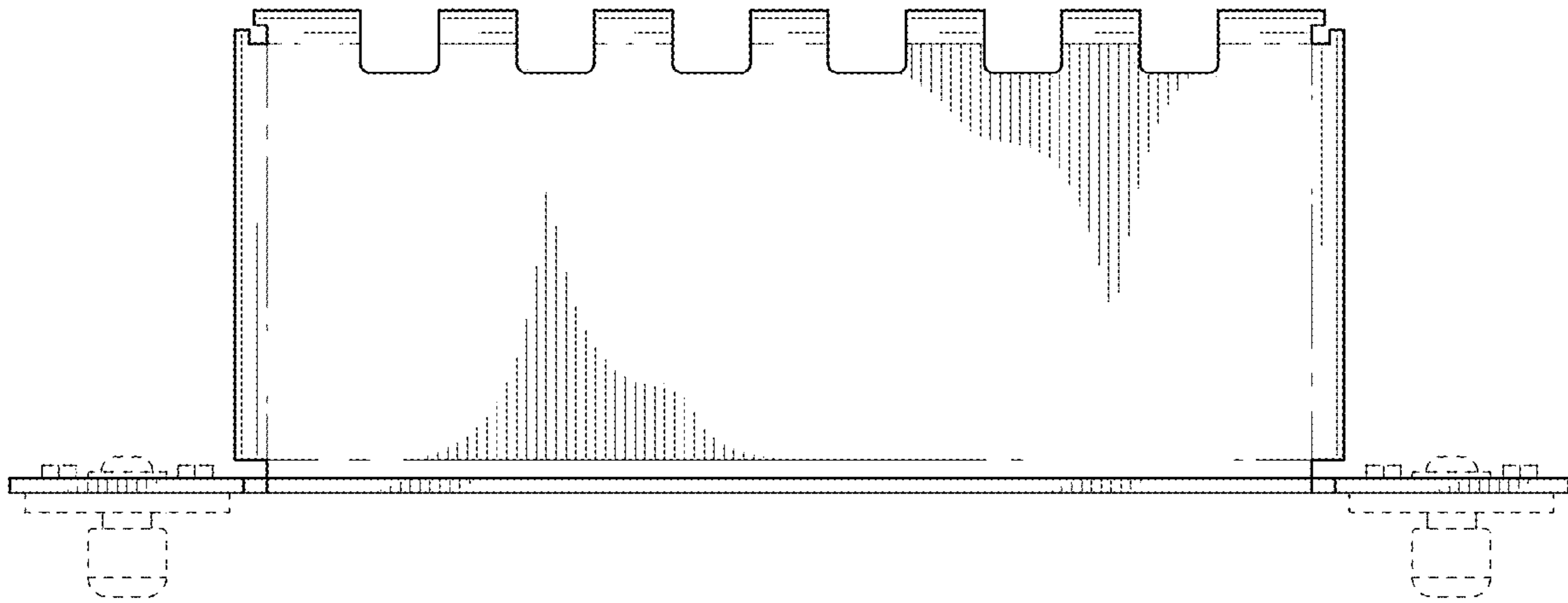


FIG.6