



US00D878094S

(12) **United States Design Patent**
Lawrence

(10) **Patent No.:** **US D878,094 S**
(45) **Date of Patent:** **** Mar. 17, 2020**

(54) **FISHING ROD HOLDER**
(71) Applicant: **David Lawrence**, Hawthorne, FL (US)
(72) Inventor: **David Lawrence**, Hawthorne, FL (US)

5,678,348 A * 10/1997 Zielinski A01K 97/08
43/26
D405,293 S * 2/1999 Tate D6/552
D461,084 S * 8/2002 Chen D6/552
D550,492 S * 9/2007 Fagundes-Daher D6/552
(Continued)

(**) Term: **15 Years**

(21) Appl. No.: **29/659,932**

(22) Filed: **Aug. 14, 2018**

(51) **LOC (12) Cl.** **08-08**

(52) **U.S. Cl.**
USPC **D6/552**

(58) **Field of Classification Search**
USPC D6/552, 553, 567, 572; D8/380;
D22/109, 147, 148; D25/68; 43/21,
43/21.2; 211/13.1, 60.1, 64, 70.2, 70.6,
211/70.8, 65, 68, 69, 69.8, 89, 94;
248/512, 520, 538, 316.7
CPC A01K 97/10; A01K 97/12; A01K 97/125;
A01K 99/00; A01K 97/08; A47F 7/0021;
A47F 7/0035; A47B 81/005; Y10T
70/5009; Y10S 224/922
See application file for complete search history.

(56) **References Cited**

U.S. PATENT DOCUMENTS

3,727,771 A * 4/1973 Hoffman B25H 3/003
211/69
4,084,814 A * 4/1978 Boggild A63B 9/00
248/511
4,090,612 A * 5/1978 Lostutter B01F 15/00753
211/13.1
5,188,243 A * 2/1993 Ruiz A63B 55/00
211/70.2
5,244,700 A * 9/1993 Banschick A01G 5/04
211/13.1
D341,276 S * 11/1993 Jones D6/552
5,655,671 A * 8/1997 Barry A47F 5/02
211/163

OTHER PUBLICATIONS

Myreelrack.com, New Round Varied Height Design for 20 Rods & Reels; Apr. 28, 2019, <https://myreelrack.com/product/new-round-varied-height-design-for-20-rods-reels/> (Year: 2019).*

Primary Examiner — Nathan M Johnston
(74) *Attorney, Agent, or Firm* — The Rapacke Law Group, P.A.

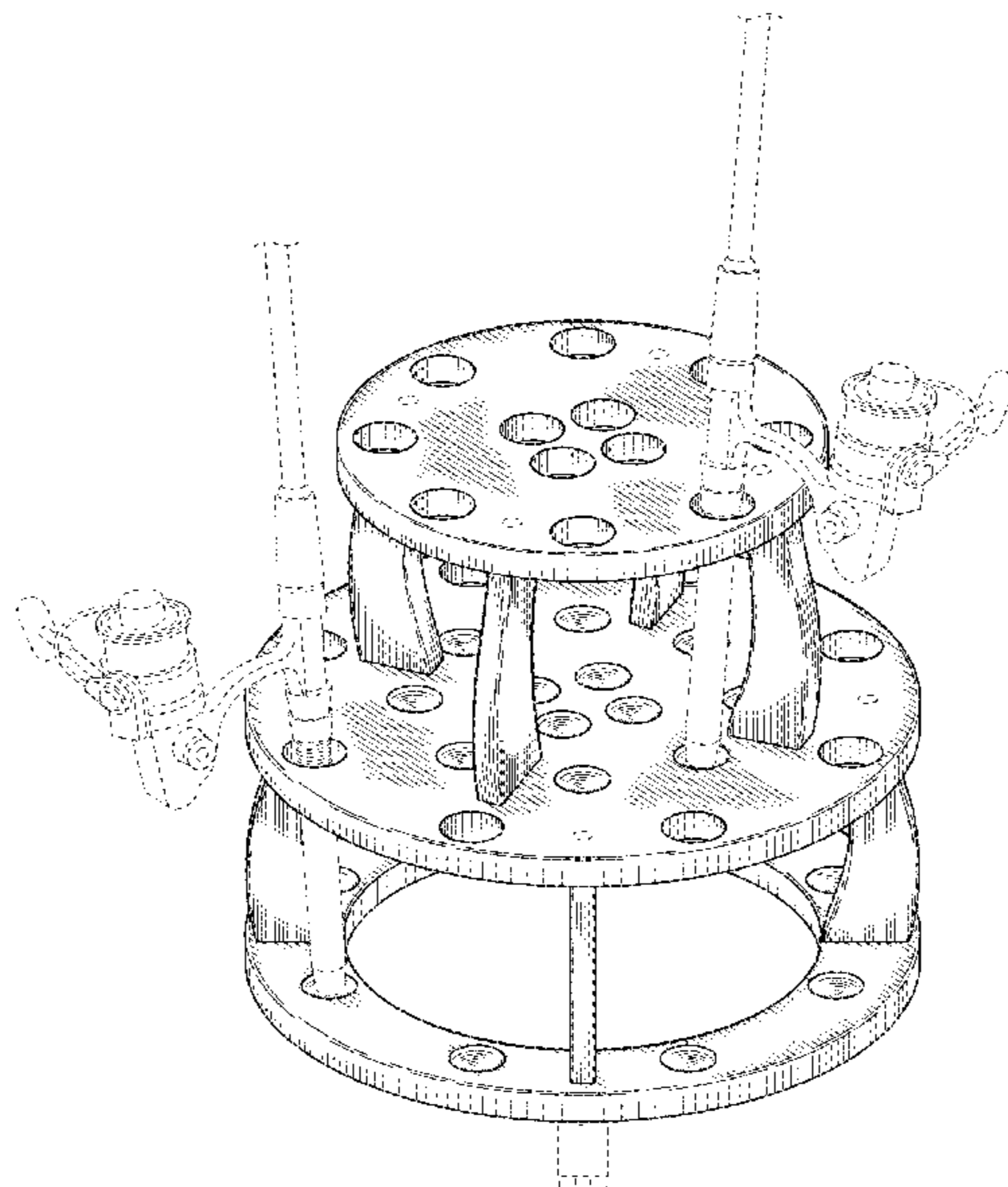
(57) **CLAIM**

The ornamental design for a fishing rod holder, as shown and described.

DESCRIPTION

FIG. 1 is an isolated perspective view of the fishing rod holder showing the new design;
FIG. 2 is a front elevational view of the fishing rod holder thereof;
FIG. 3 is a rear elevational view of the fishing rod holder thereof;
FIG. 4 is a left side elevational view of the fishing rod holder thereof;
FIG. 5 is a right side elevational view of the fishing rod holder thereof;
FIG. 6 is a top plan view of the fishing rod holder thereof;
FIG. 7 is a bottom plan view of the fishing rod holder thereof; and,
FIG. 8 is an environmental perspective view of the fishing rod holder thereof.
The broken lines in the drawings illustrate environmental subject matter and form no part of the claimed design.

1 Claim, 8 Drawing Sheets



(56)

References Cited

U.S. PATENT DOCUMENTS

D842,621 S *	3/2019	Snyder	D6/552
2007/0039911 A1 *	2/2007	Sator	A47B 81/005
			211/68

* cited by examiner

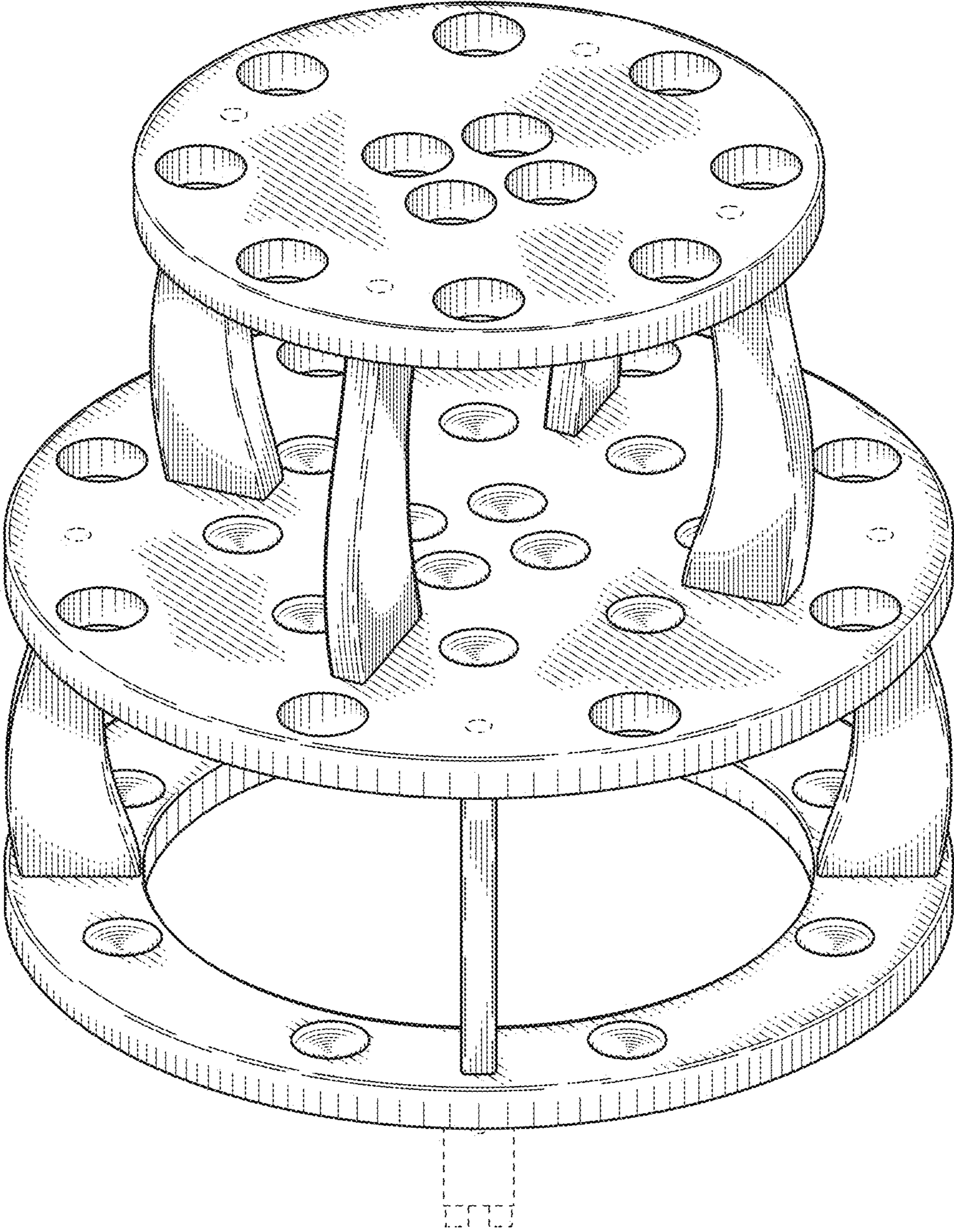


FIG. 1

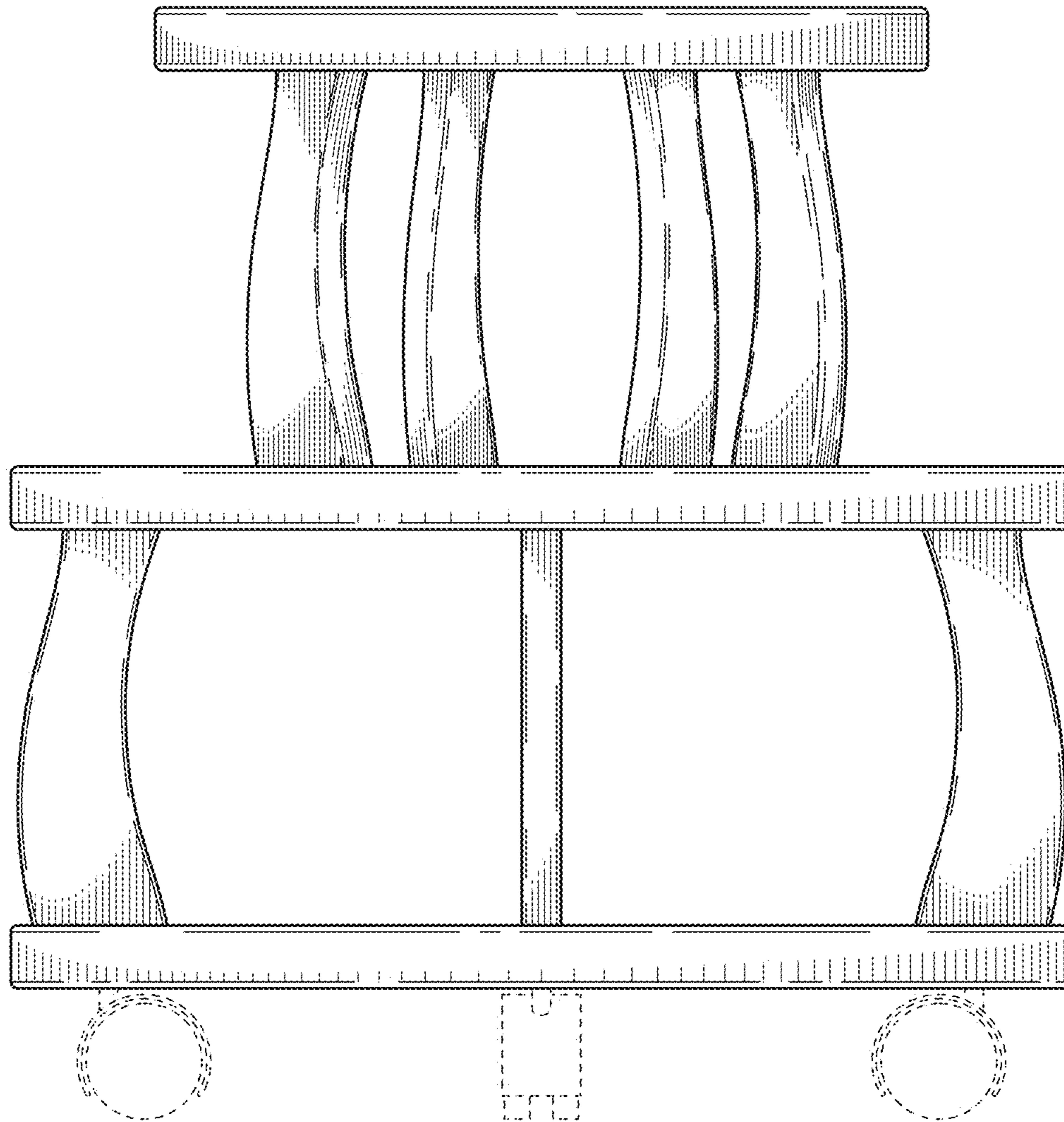


FIG. 2

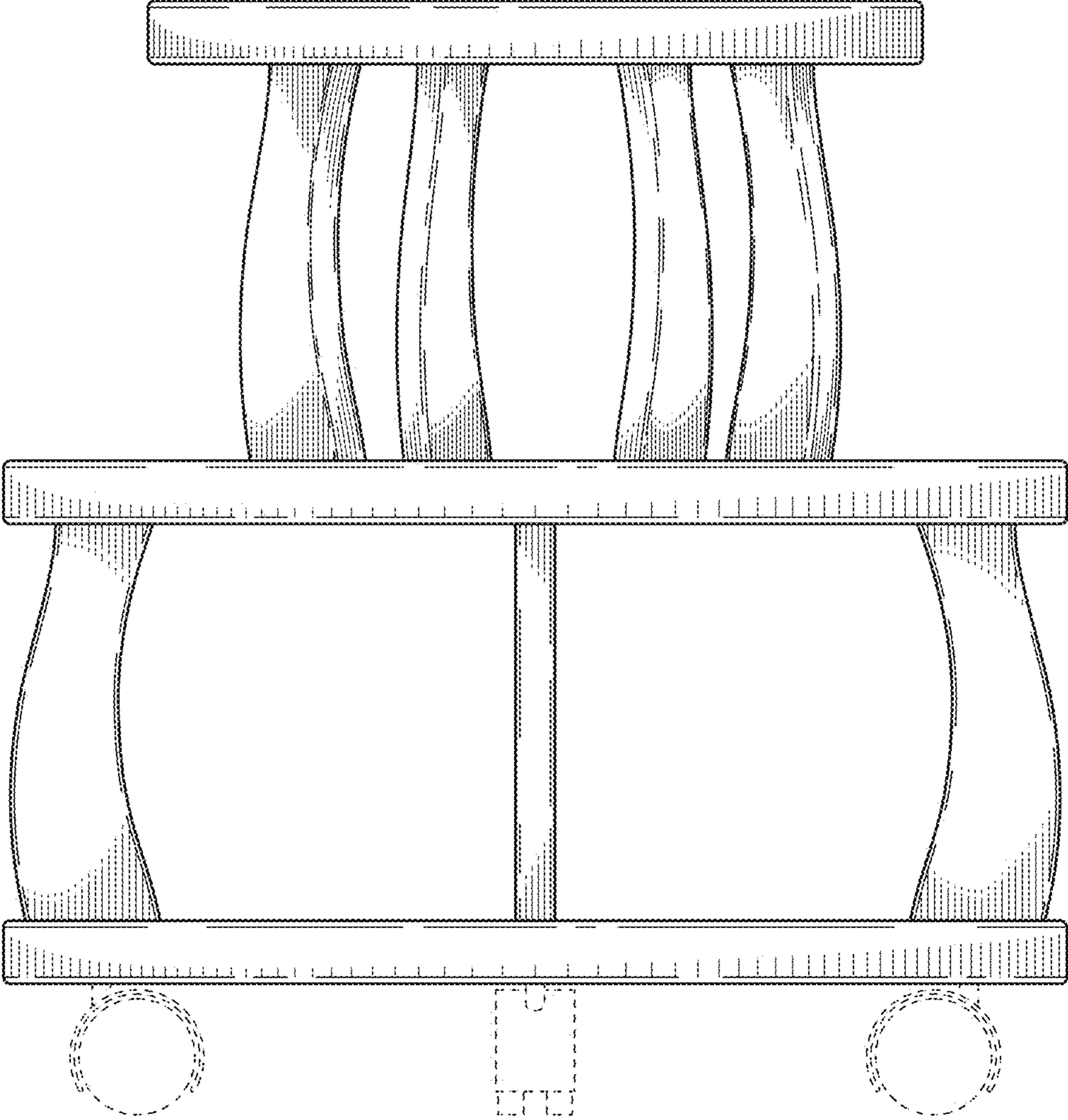


FIG. 3

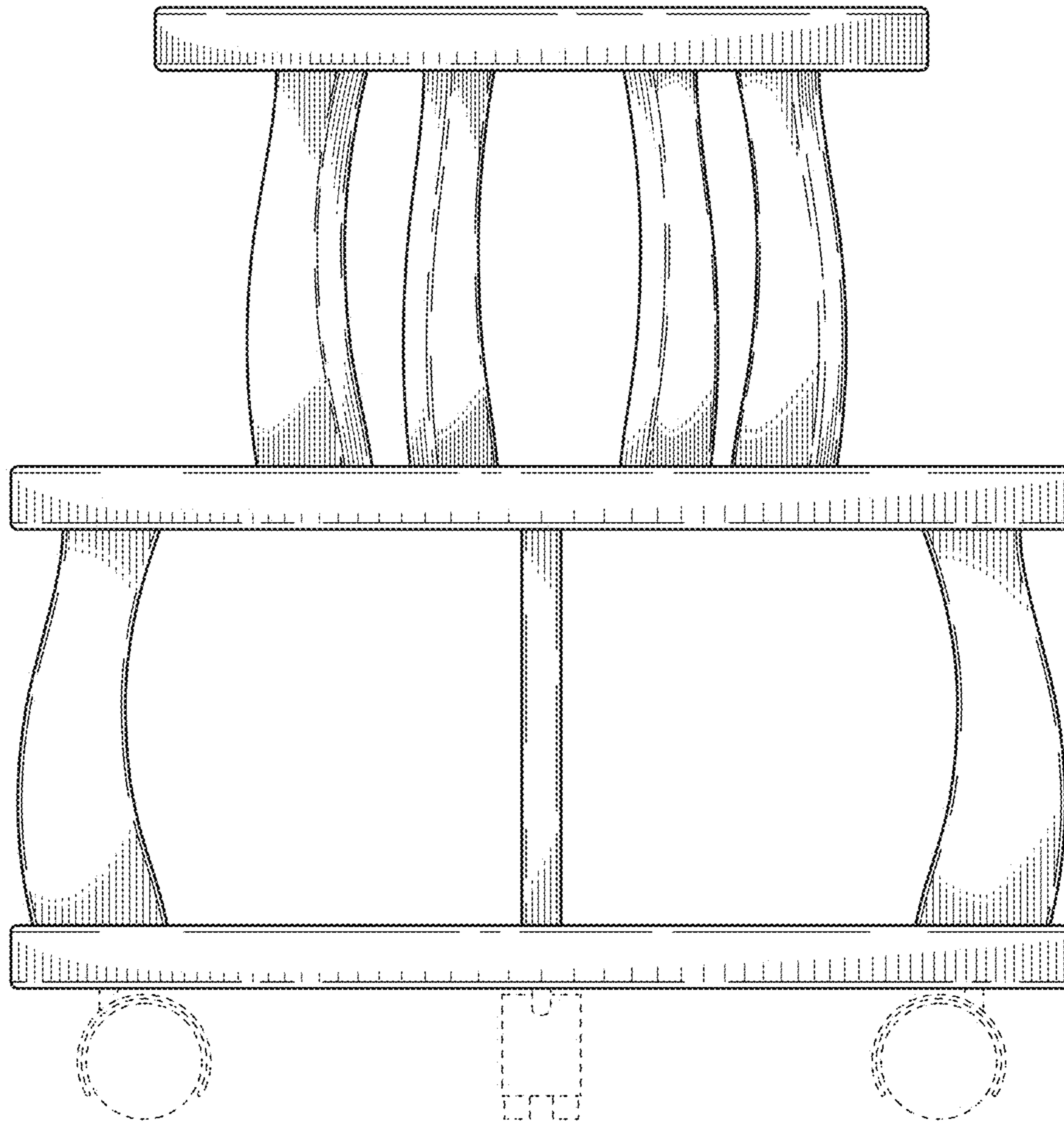


FIG. 4

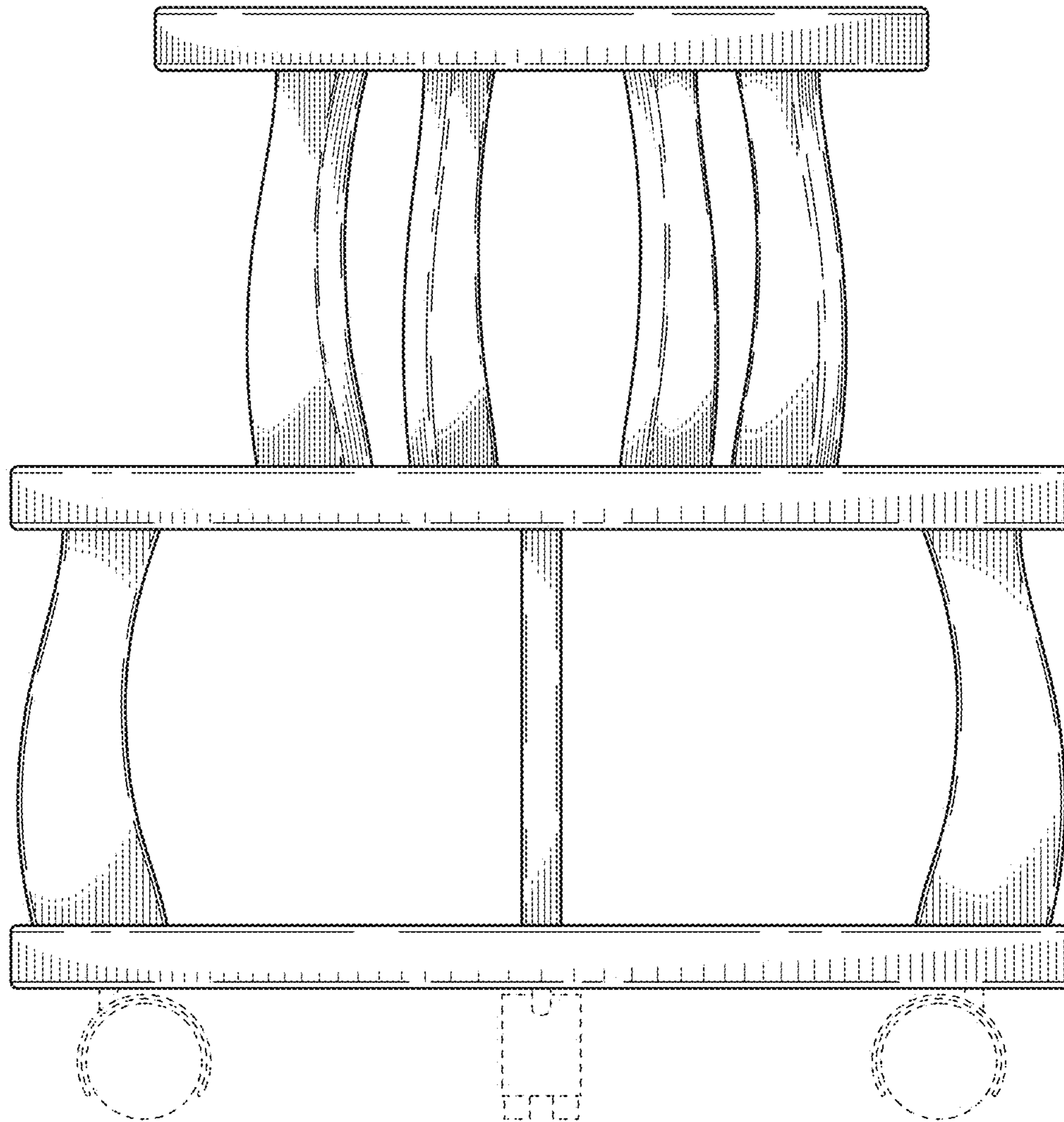


FIG. 5

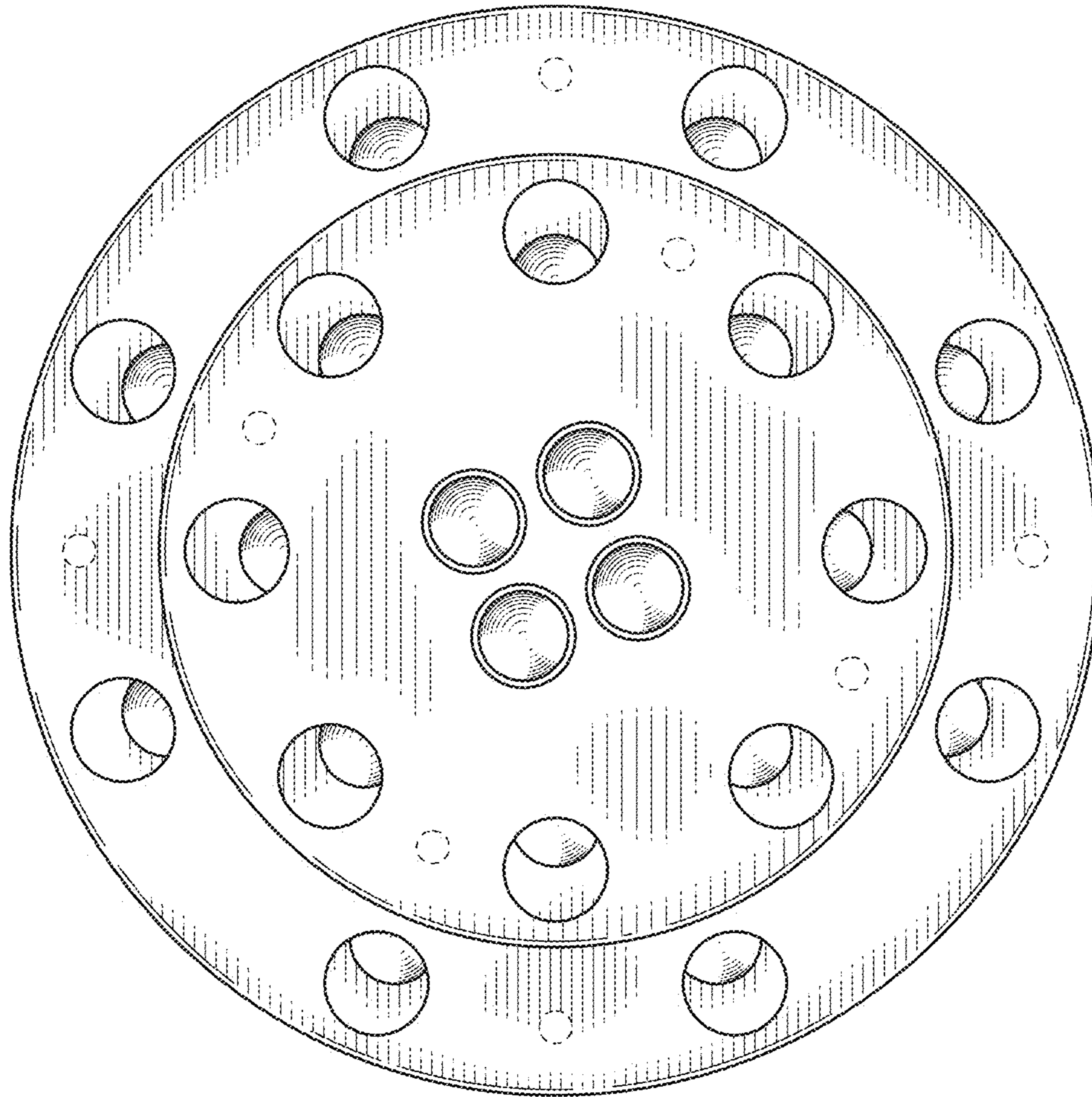


FIG. 6

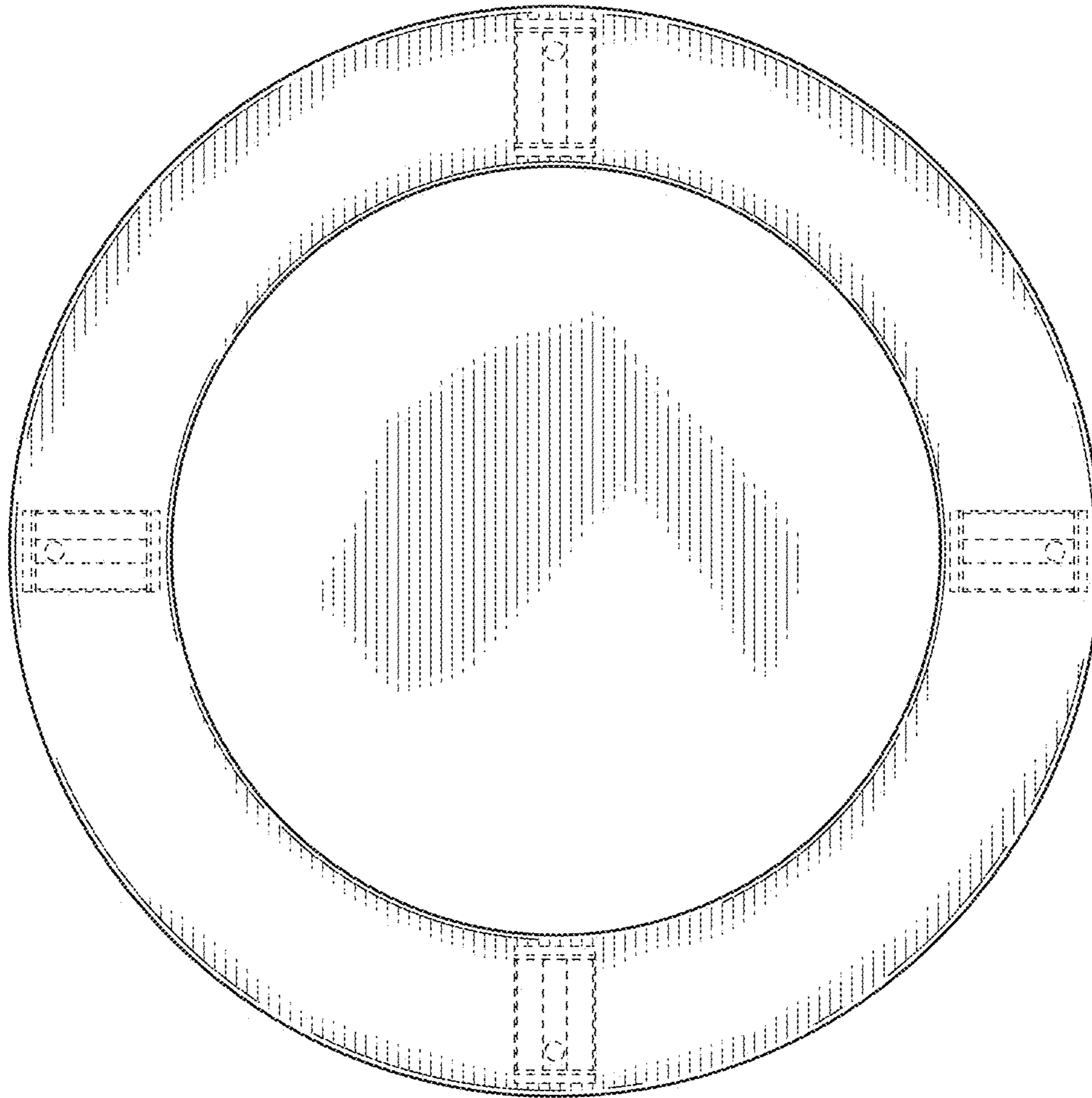


FIG. 7

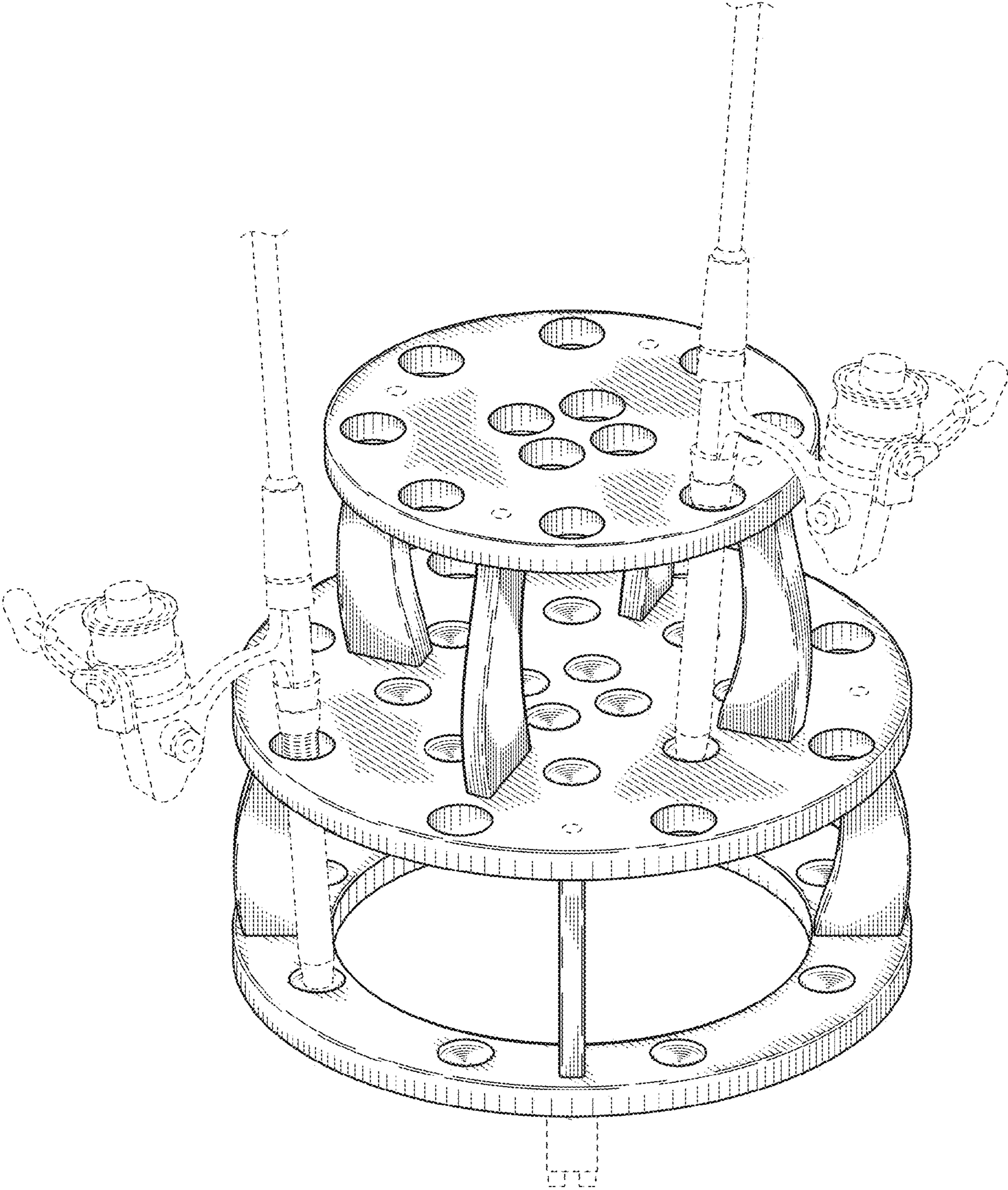


FIG. 8