



US00D878091S

(12) **United States Design Patent** (10) **Patent No.:** **US D878,091 S**
Palomba et al. (45) **Date of Patent:** **** Mar. 17, 2020**

(54) **LIQUID SOAP DISPENSER PART**

(71) Applicant: **GFL S.A.**, Lugano (CH)
 (72) Inventors: **Roberto Palomba**, Lugano (CH);
Ludovica Desideria Pozzi Serafini,
 Lugano (CH)

(73) Assignee: **GFL S.A.**, Lugano (CH)

(**) Term: **15 Years**

(21) Appl. No.: **35/505,830**

(22) Filed: **Jul. 23, 2018**

(80) **Hague Agreement Data**

Int. Filing Date: **Jul. 23, 2018**
 Int. Reg. No.: **DM/102922**
 Int. Reg. Date: **Jul. 23, 2018**
 Int. Reg. Pub. Date: **Oct. 5, 2018**

(30) **Foreign Application Priority Data**

Jun. 15, 2018 (IT) 402018000002518

(51) **LOC (12) Cl.** **23-02**

(52) **U.S. Cl.**
USPC **D6/542**

(58) **Field of Classification Search**
USPC D6/512, 518, 524, 542-545, 552, 553,
D6/567

CPC A47F 5/00; A47F 5/06; A47F 5/10; A47F
5/12; A47F 5/1202; A47F 5/1204; A47F
5/1207; A47F 5/1209; A47F 5/121

See application file for complete search history.

(56) **References Cited**

U.S. PATENT DOCUMENTS

2,505,697	A *	4/1950	Vomacka	A47K 5/10 222/361
D303,467	S *	9/1989	Pepitone	D6/512
D348,368	S *	7/1994	Hazekamp	D6/518
5,642,762	A *	7/1997	Greenberg	A47K 5/10 141/330
D452,099	S *	12/2001	Poitras	A47K 5/10 D6/545
D475,879	S *	6/2003	Thomas	A47K 5/10 D6/552
D494,399	S *	8/2004	Rodriguez	D6/567
D554,403	S *	11/2007	Xiao	D6/524
D757,459	S *	5/2016	Citterio	D6/545
D758,685	S *	6/2016	Liedtke	D32/54

* cited by examiner

Primary Examiner — Mary Ann Calabrese
 (74) *Attorney, Agent, or Firm* — Thomas|Horstemeyer,
 LLP

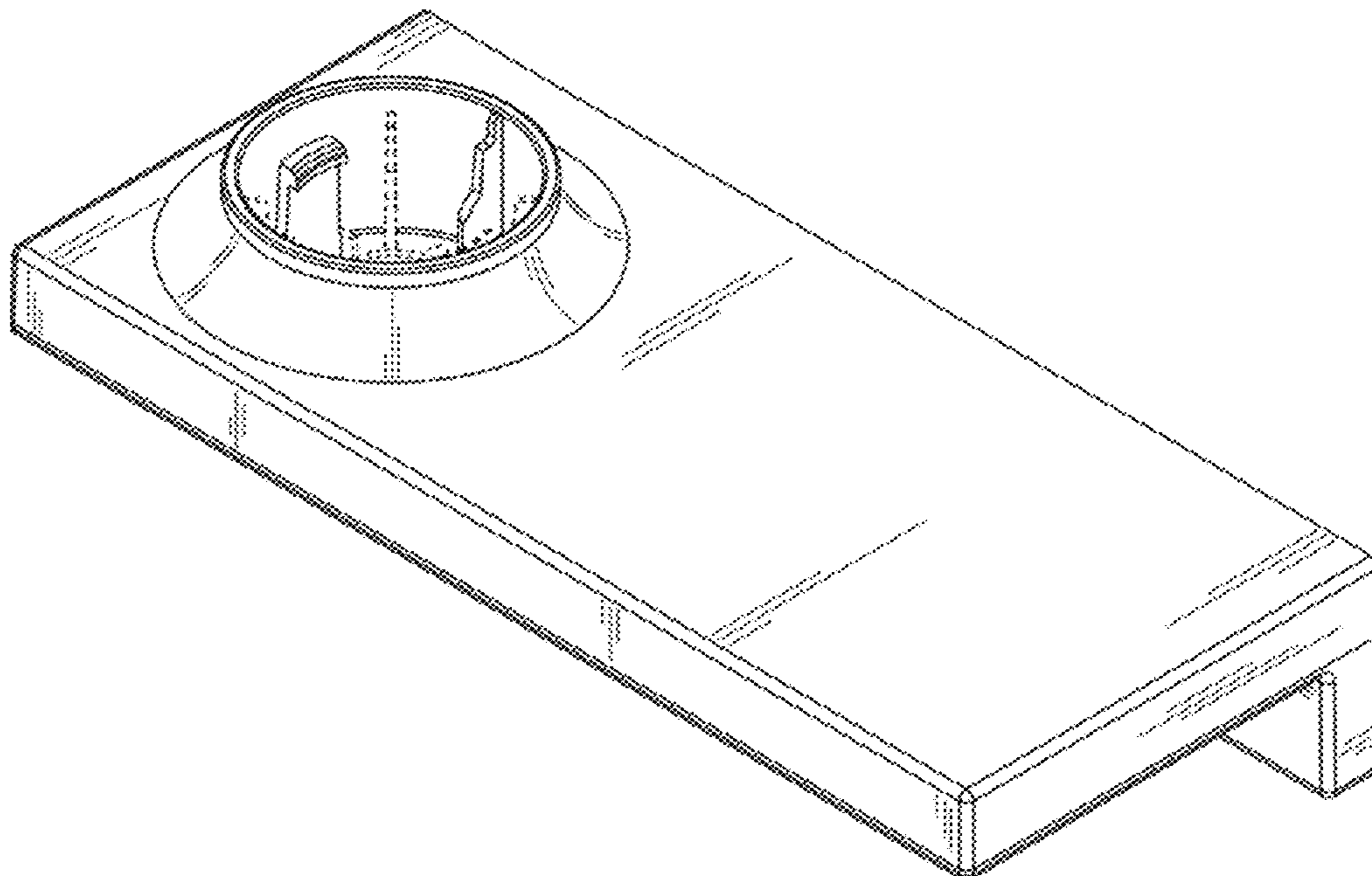
(57) **CLAIM**

The ornamental design for a liquid soap dispenser part, as shown and described.

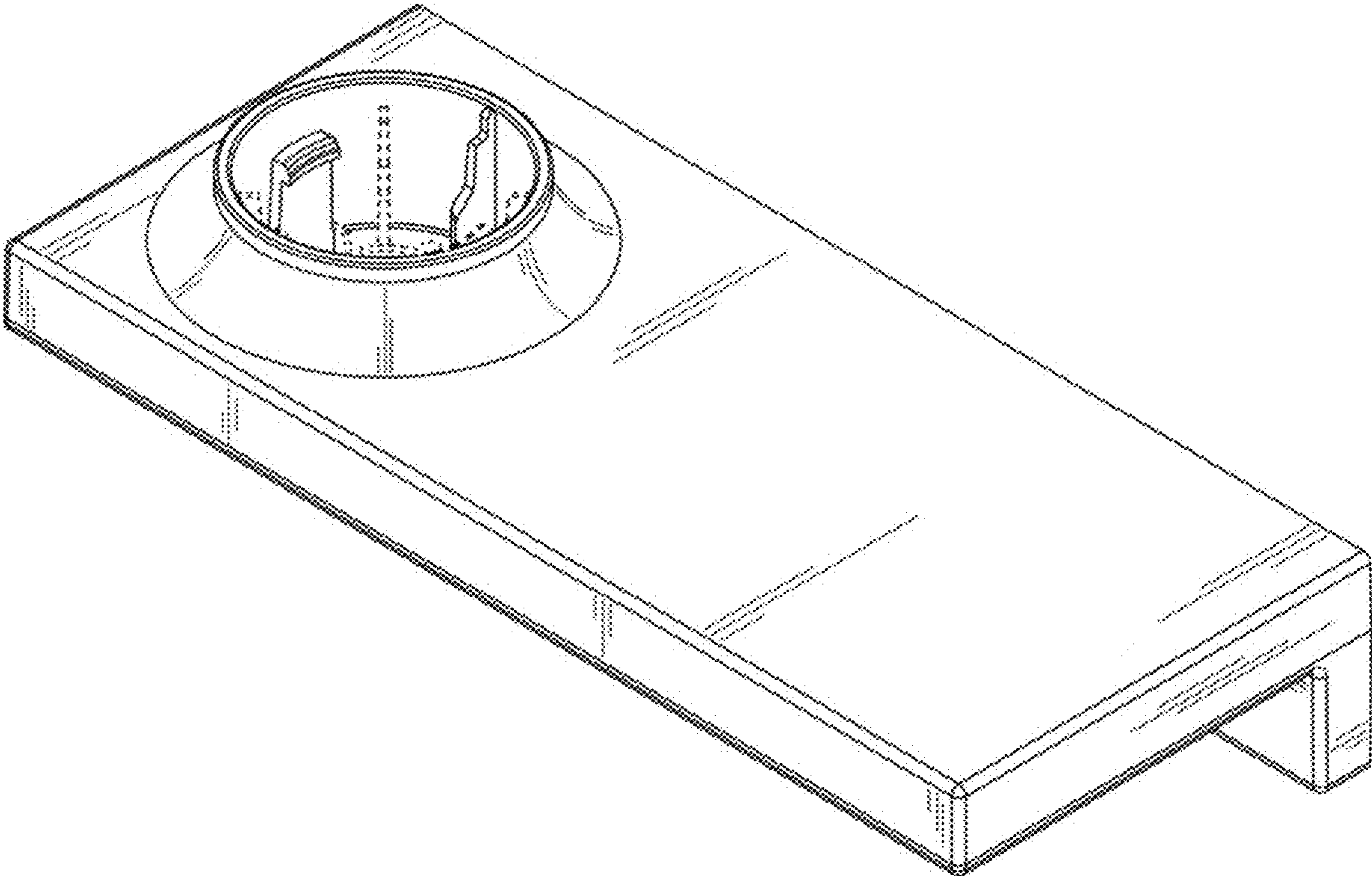
DESCRIPTION

1.1 is a perspective view of a liquid soap dispenser part, showing our new design;
 1.2 is a top view thereof;
 1.3 is a front view thereof; and
 1.4 is a side view thereof.
 The broken lines shown in the drawings of the liquid dispenser part are for the purpose of illustrating environment and form no part of the claimed design.

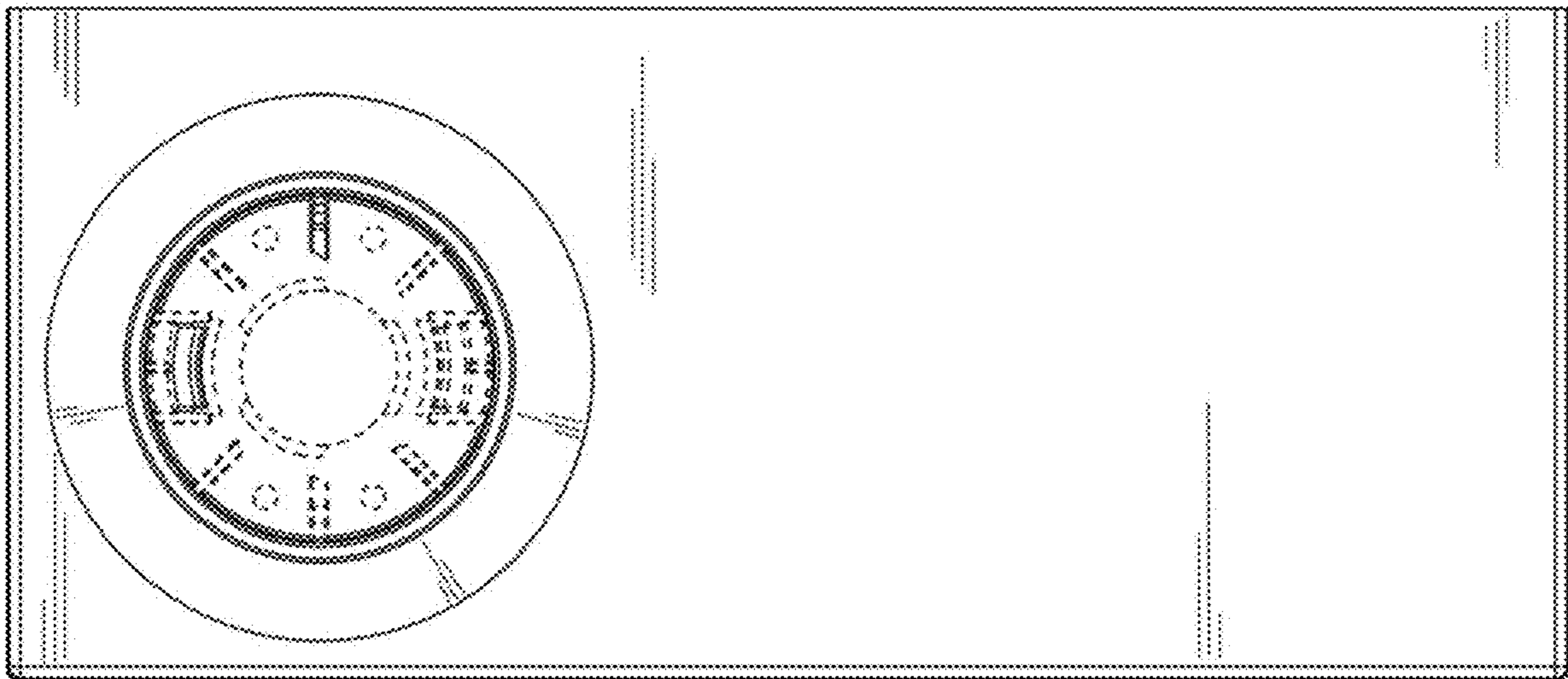
1 Claim, 4 Drawing Sheets



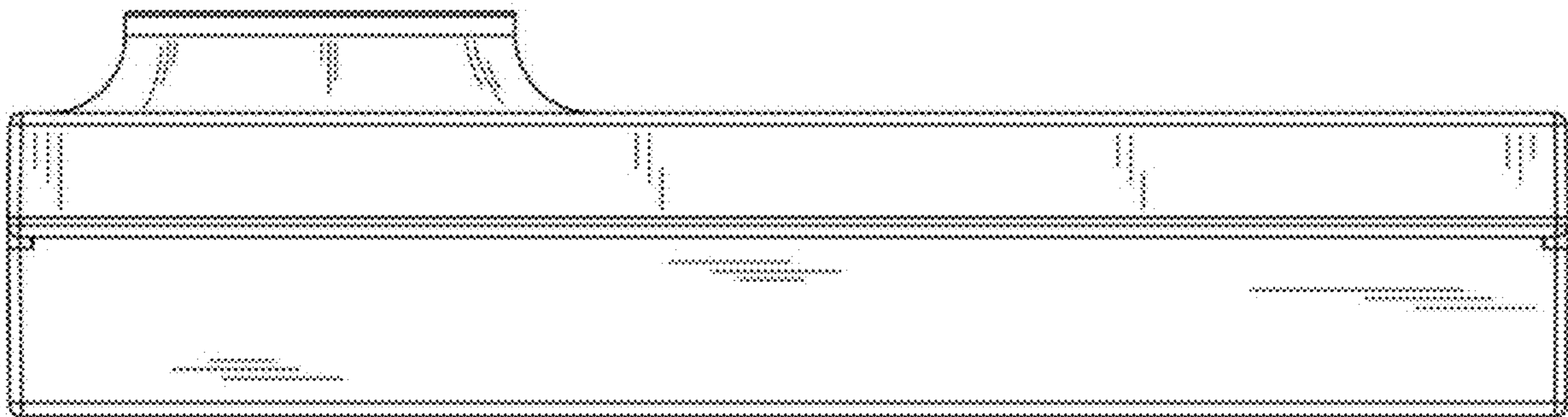
1.1



1.2



1.3



1.4

