



US00D878084S

(12) **United States Design Patent**  
**McGarry et al.**

(10) **Patent No.:** **US D878,084 S**  
(45) **Date of Patent:** **\*\* Mar. 17, 2020**

- (54) **GROOMING STATION**
- (71) Applicant: **The Gillette Company LLC**, Boston, MA (US)
- (72) Inventors: **Rory Frederick Wellington McGarry**, Boston, MA (US); **Jonathon Albert Riehle**, Brighton, MA (US)
- (73) Assignee: **The Gillette Company LLC**, Boston, MA (US)
- (\*\*) Term: **15 Years**

2,022,508 A	11/1935	Hoddersen
2,965,109 A	12/1960	Borah
4,339,876 A	7/1982	Davis
D321,986 S	12/1991	Snyder et al.
5,228,580 A	7/1993	Grange
5,407,066 A	4/1995	Grange
5,429,241 A	7/1995	Althaus
D370,812 S	6/1996	Simmonds
5,738,122 A	4/1998	Armbruster
5,966,821 A	10/1999	Armbruster
5,966,822 A	10/1999	Coffin et al.
6,598,609 B2	7/2003	Gibbs
D481,894 S *	11/2003	Hunt ..... D6/525
6,722,498 B2	4/2004	Westfield et al.

(Continued)

- (21) Appl. No.: **29/665,708**
- (22) Filed: **Oct. 5, 2018**
- (51) **LOC (12) Cl.** ..... **23-02**
- (52) **U.S. Cl.**  
USPC ..... **D6/525**
- (58) **Field of Classification Search**  
USPC ..... D6/525, 512, 524, 552, 567, 304, 314, D6/534, 536, 553, 540, 566; 206/77.1, 206/207, 581, 349, 557, 823, 134, 126, 206/106; D32/52, 55; D34/7; 211/13.1, 211/71.01, 74, 75, 86.01, 126.1, 133.5, 211/134, 181.1  
CPC ..... A47K 1/09; A47K 3/281; A47K 10/16; A47K 2201/00; A47K 5/05; A47K 5/18  
See application file for complete search history.

**FOREIGN PATENT DOCUMENTS**

EP	483481	8/1991
WO	WO2016113502 A1	7/2016

*Primary Examiner* — Wan Laymon  
*Assistant Examiner* — Mark Booker  
 (74) *Attorney, Agent, or Firm* — John M. Lipchitz

(57) **CLAIM**

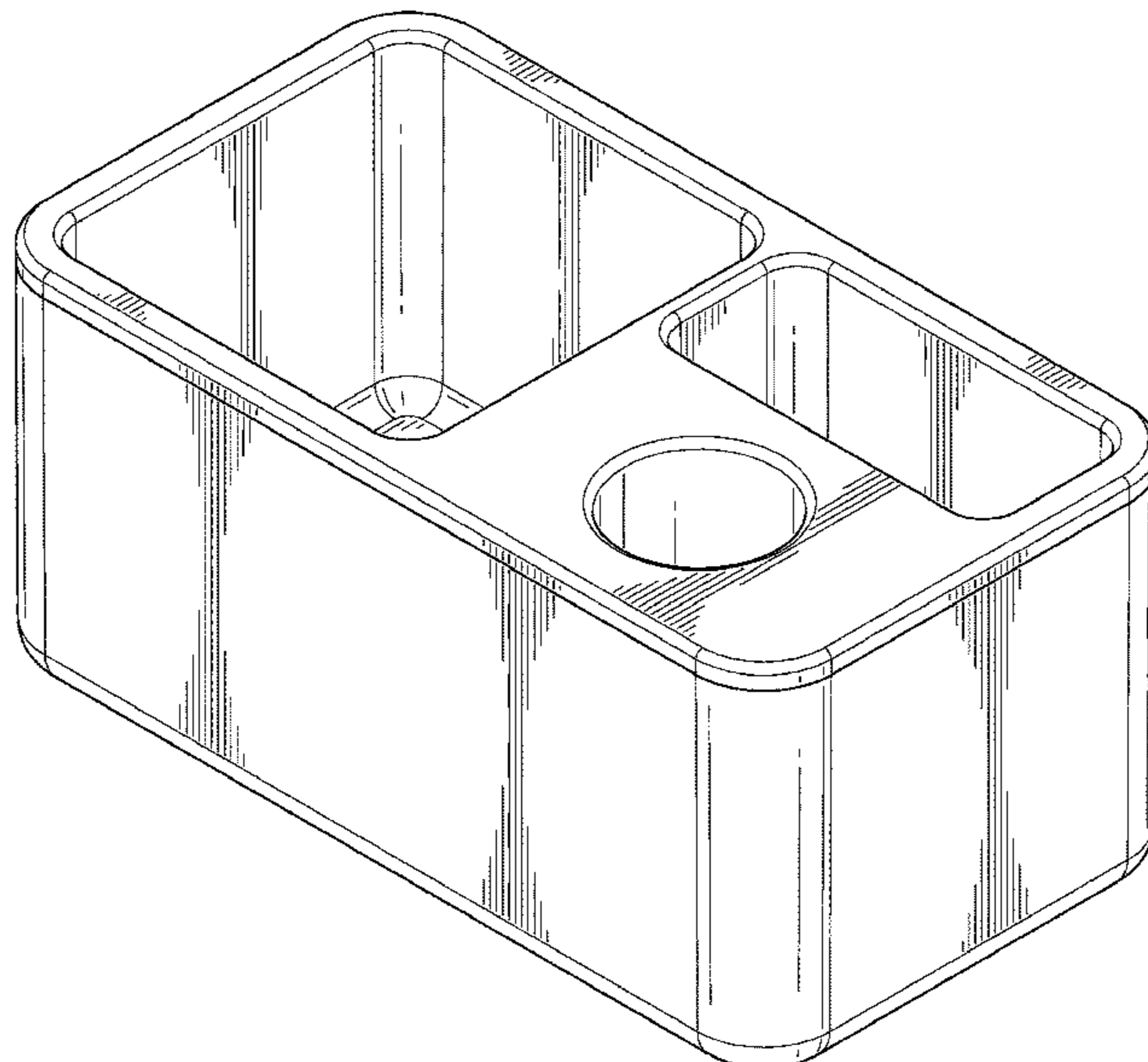
The ornamental design for a grooming station, as shown and described.

**DESCRIPTION**

FIG. 1 is a first perspective view of a grooming station of the present invention;  
 FIG. 2 is a front view thereof;  
 FIG. 3 is a rear view thereof;  
 FIG. 4 is a right side view thereof;  
 FIG. 5 is a left side view thereof;  
 FIG. 6 is a top view thereof;  
 FIG. 7 is a bottom view thereof; and,  
 FIG. 8 is a second perspective view thereof.  
 The broken lines shown in the figures represent portions of the grooming station that form no part of the claimed design.

**1 Claim, 8 Drawing Sheets**

- (56) **References Cited**  
U.S. PATENT DOCUMENTS
- |             |         |             |
|-------------|---------|-------------|
| 942,484 A   | 12/1909 | Clark       |
| 1,445,868 A | 2/1923  | Browning    |
| 1,515,542 A | 11/1924 | Bouquet     |
| 1,735,751 A | 11/1929 | Green       |
| 1,810,652 A | 6/1931  | Flintermann |
| 1,815,459 A | 7/1931  | Cartier     |
| 1,887,123 A | 11/1932 | Flintermann |
| 1,975,691 A | 10/1934 | Hibbs       |



(56)

**References Cited**

U.S. PATENT DOCUMENTS

7,143,517	B2	12/2006	Kappes et al.	
D577,913	S *	10/2008	Thompson .....	D6/567
D632,110	S	2/2011	Cooper	
7,877,880	B2	2/2011	Royle	
8,141,253	B2	3/2012	Royle	
D679,528	S *	4/2013	Gilboe .....	D6/525
D706,549	S *	6/2014	Cho .....	D6/524
8,869,809	B2	10/2014	Johnson	
8,883,075	B2	11/2014	Henry	
9,642,435	B2	5/2017	Clements	
9,877,614	B1	1/2018	Albert	
2009/0223846	A1	9/2009	Gonzalez	
2018/0206611	A1	7/2018	Schaefer et al.	
2018/0207819	A1	7/2018	Schaefer et al.	
2018/0207820	A1	7/2018	Schaefer et al.	
2018/0207821	A1	7/2018	Schaefer et al.	
2018/0212465	A1	7/2018	Schaefer et al.	
2018/0212466	A1	7/2018	Schaefer et al.	

\* cited by examiner

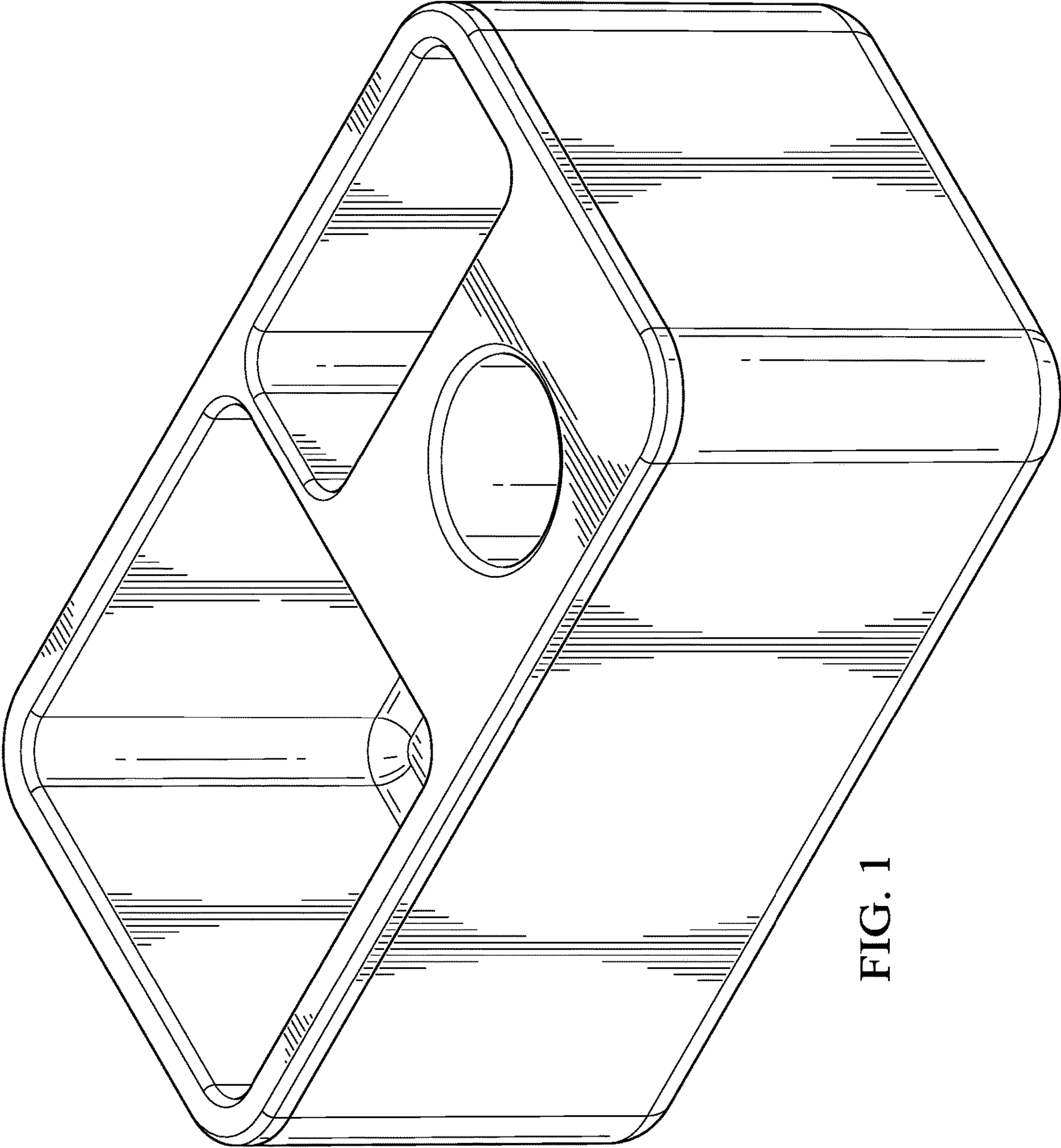


FIG. 1

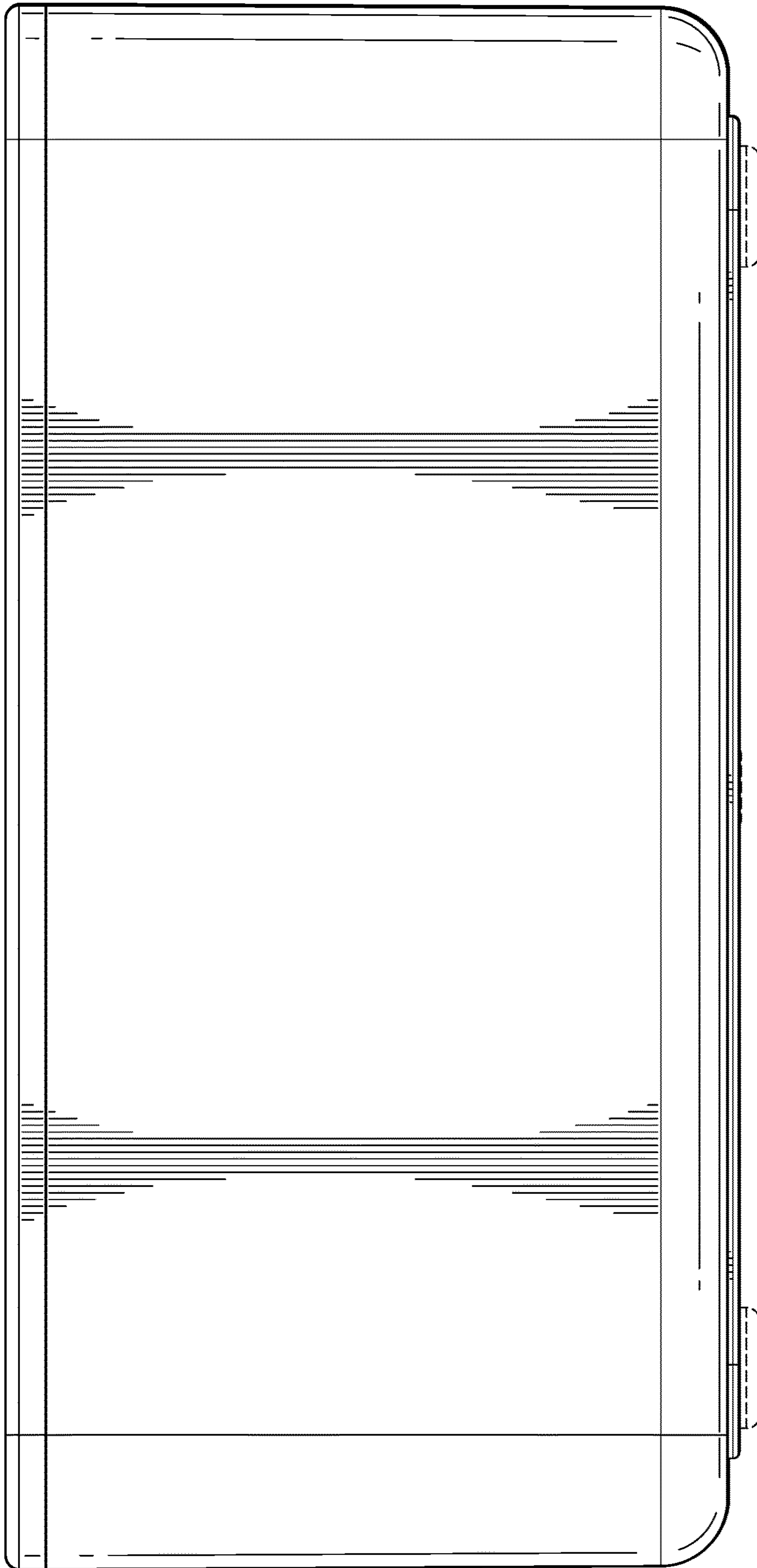


FIG. 2

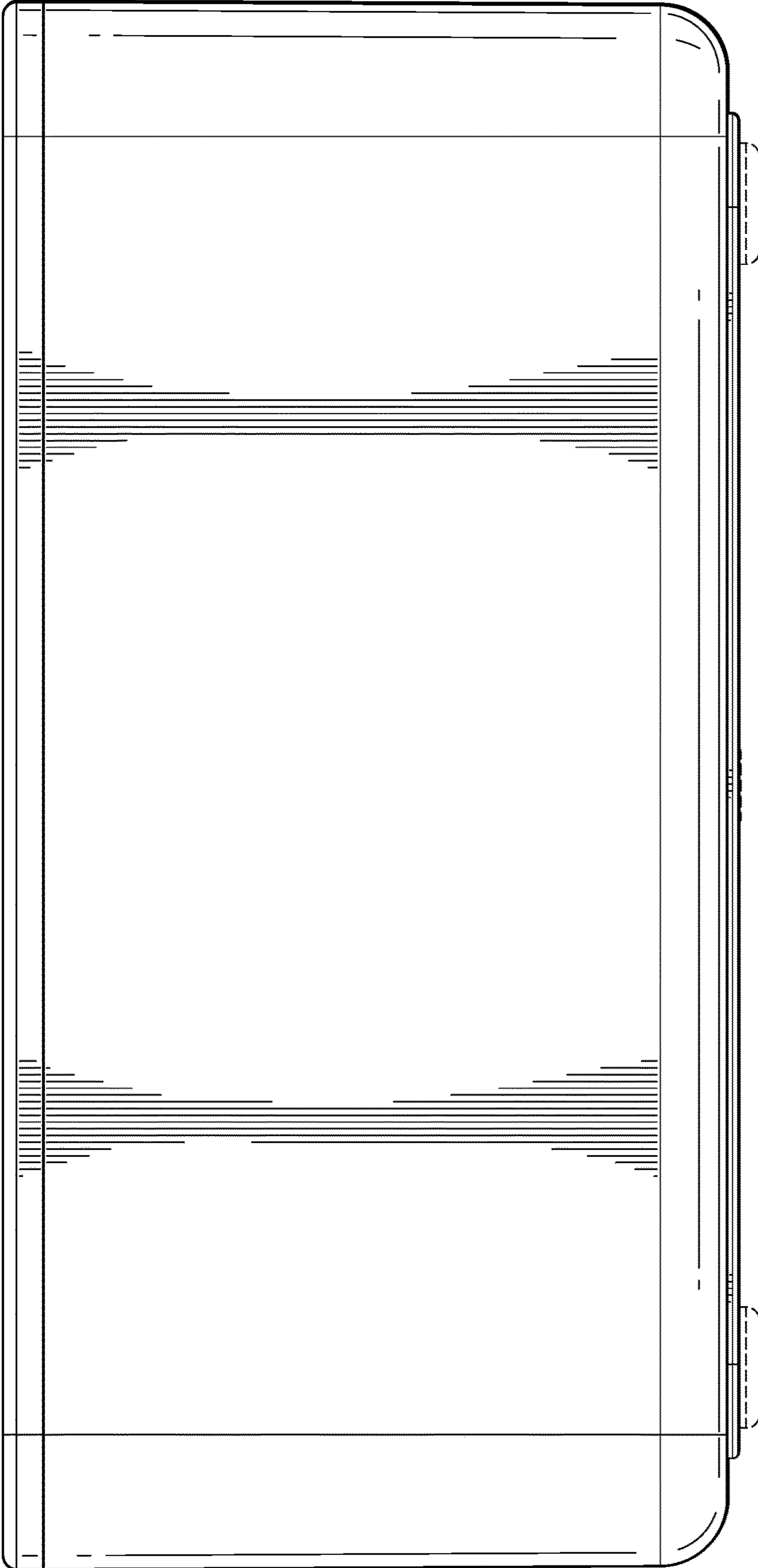


FIG. 3

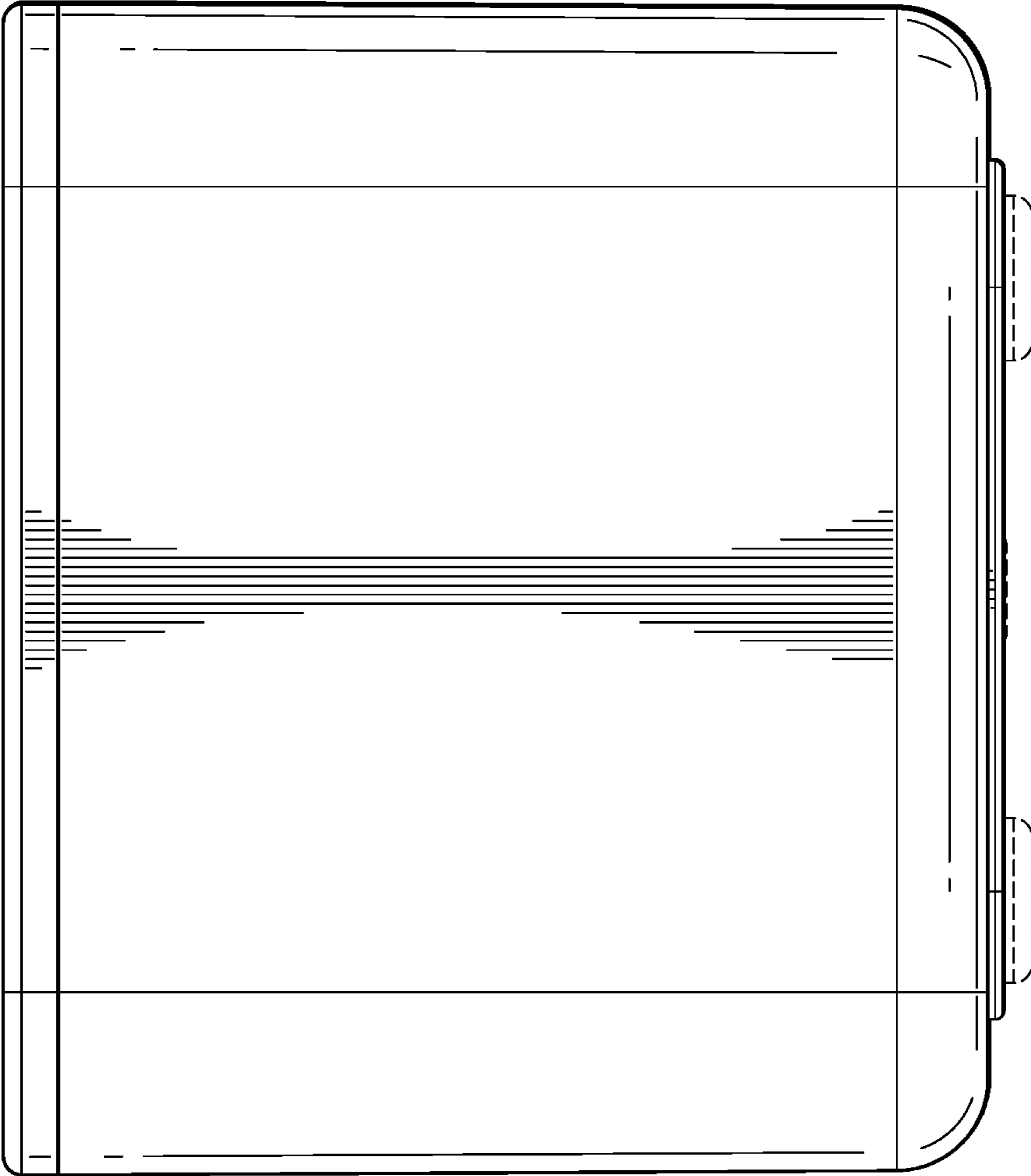


FIG. 4

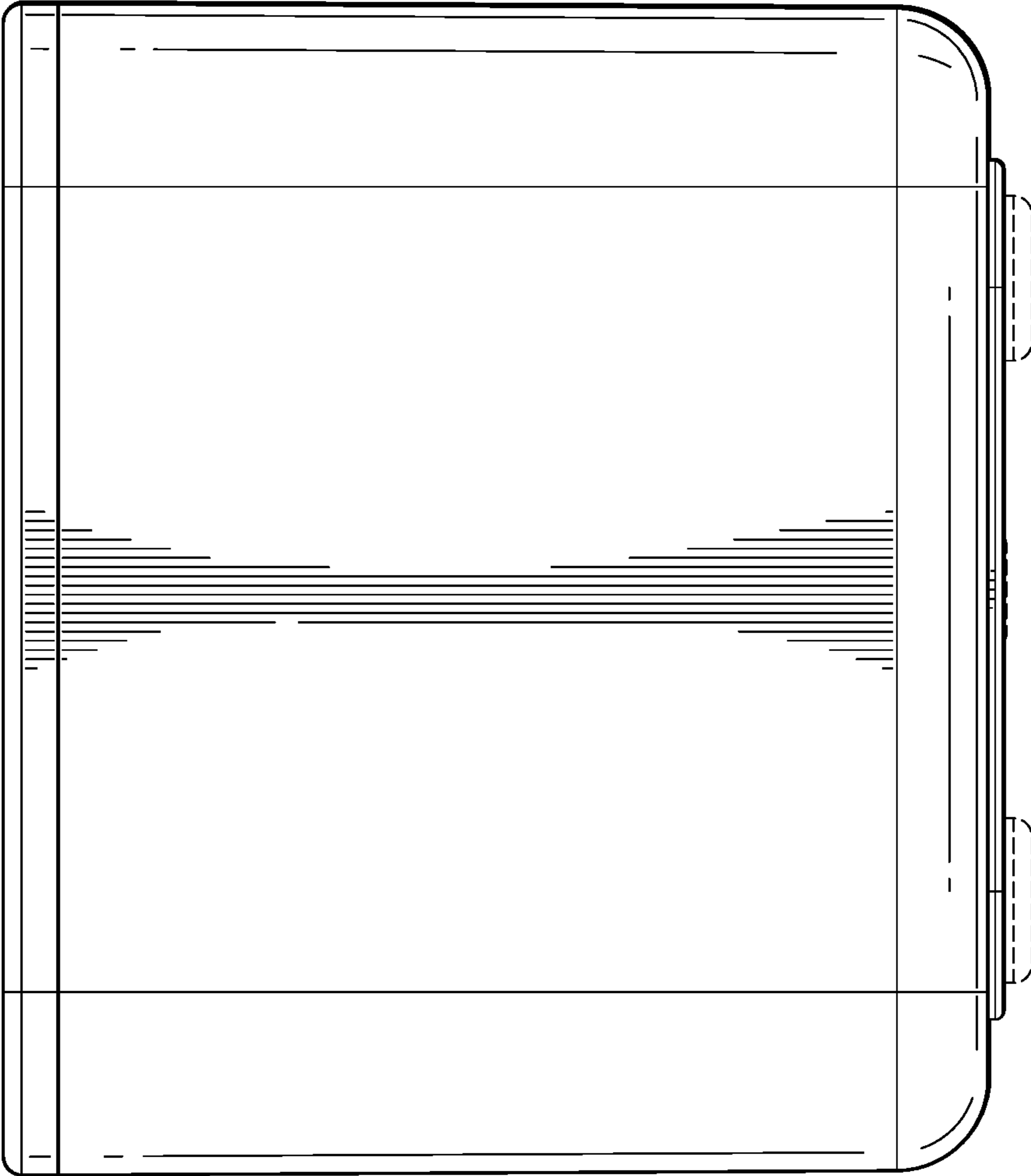


FIG. 5

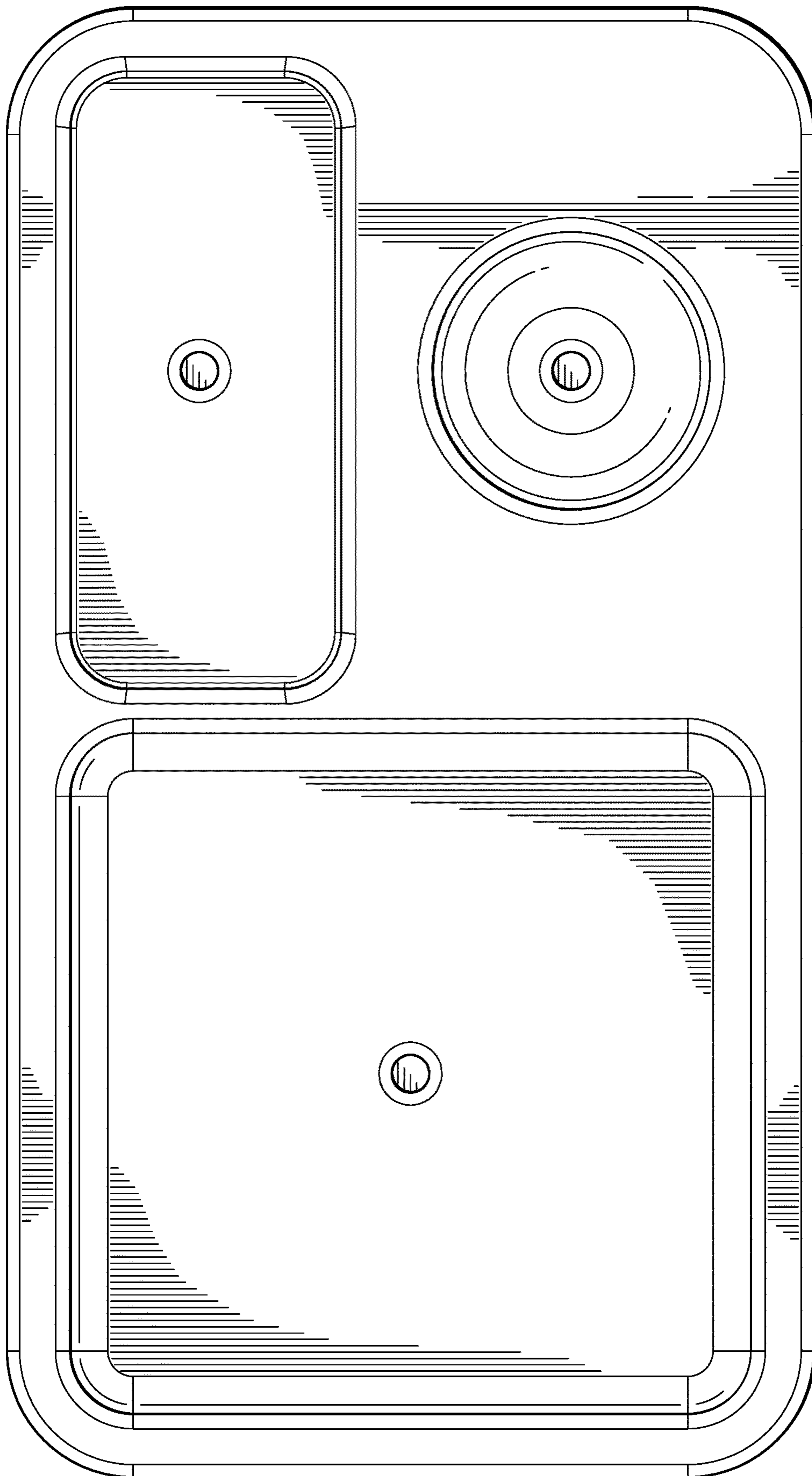


FIG. 6



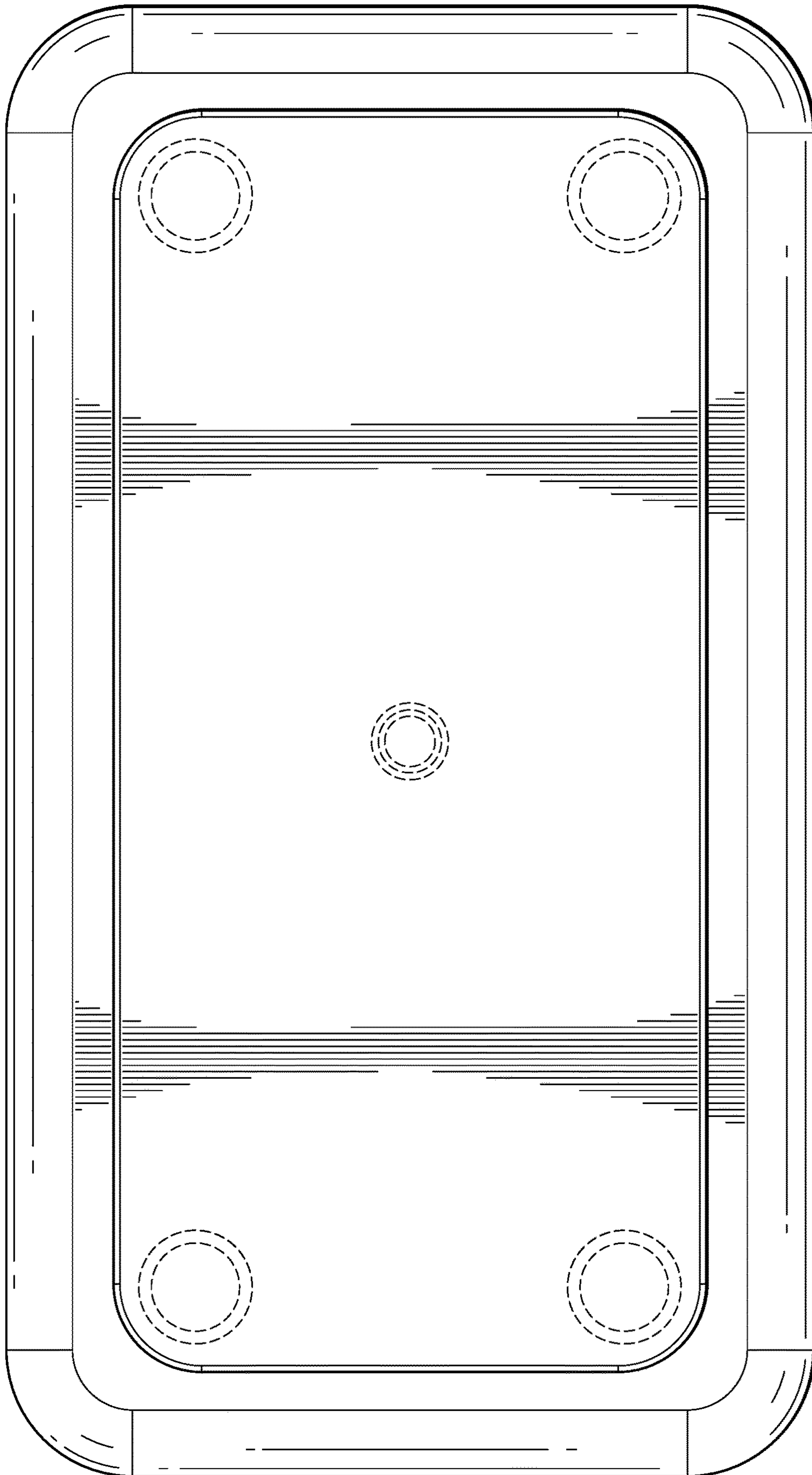


FIG. 7

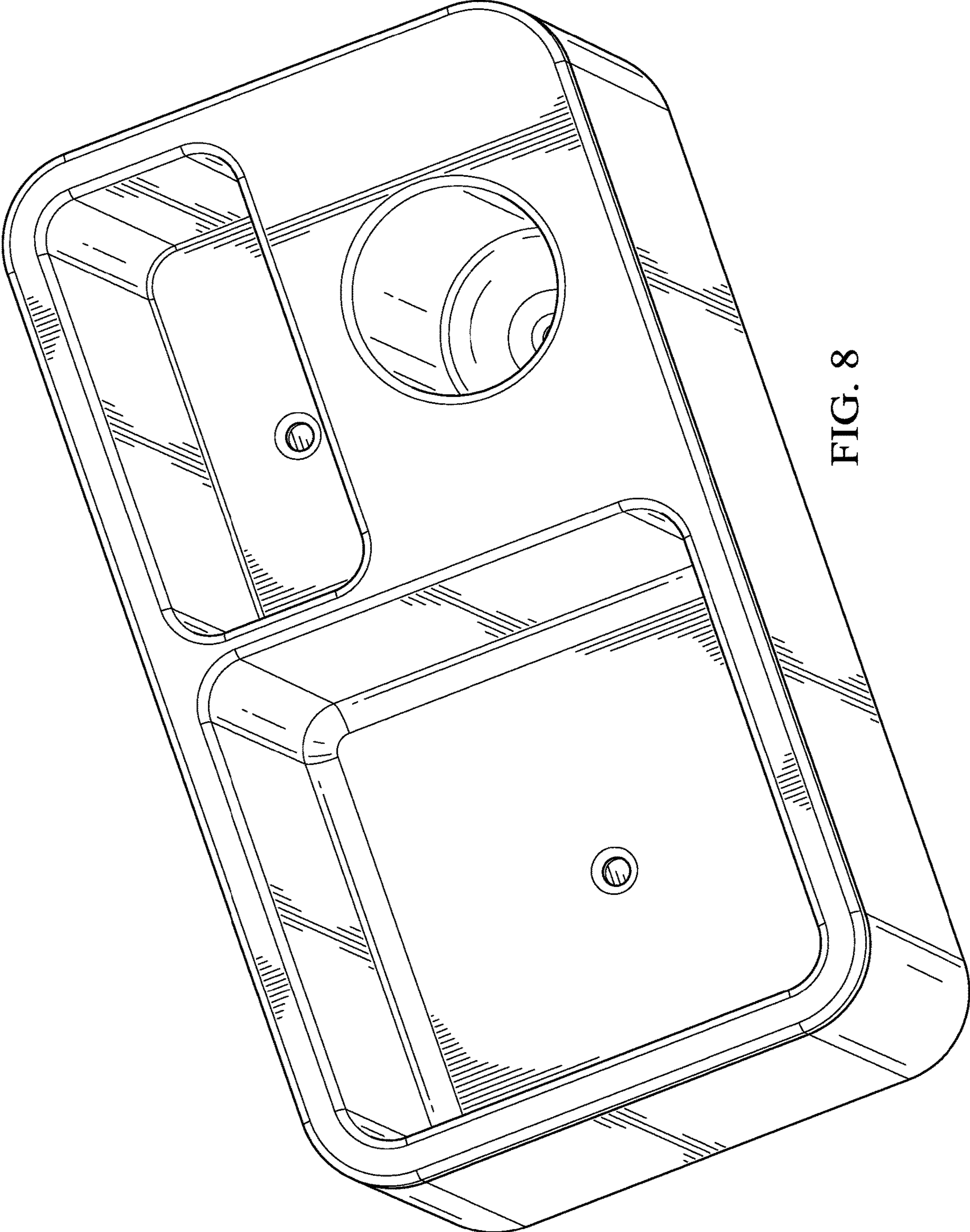


FIG. 8