



US00D878083S

(12) **United States Design Patent**
Reyes

(10) **Patent No.:** **US D878,083 S**
(45) **Date of Patent:** **** Mar. 17, 2020**

(54) **BATHROOM ACCESSORIES RECEPTACLE**
(71) Applicant: **Ruben Dario Reyes**, Yonkers, NY (US)
(72) Inventor: **Ruben Dario Reyes**, Yonkers, NY (US)
(**) Term: **15 Years**

D625,942 S * 10/2010 Yang D6/528
D634,138 S * 3/2011 Wallace D6/518
D658,914 S * 5/2012 Rich D6/518
D663,982 S * 7/2012 Purcell D6/525
D670,517 S * 11/2012 Murphy D6/515
D681,378 S * 5/2013 Murphy D6/515
D681,986 S * 5/2013 Murphy D6/515
D683,986 S * 6/2013 Murphy D6/515

(Continued)

(21) Appl. No.: **29/646,761**
(22) Filed: **May 7, 2018**
(51) **LOC (12) Cl.** **06-04**
(52) **U.S. Cl.**
USPC **D6/525; D6/551**
(58) **Field of Classification Search**
USPC D6/551, 525; 206/207, 349, 361;
D7/541, 555, 615; D8/80, 83, 94, 107,
D8/300; D32/40, 42, 46, 49, 51, 52;
312/206, 207; D4/100, 102, 114, 117,
D4/118, 121, 130–136, 138; 4/255.05,
4/255.11; 15/21.1, 143.1, 145, 159.1,
15/160, 186–188; 132/120, 142, 313
CPC A47K 17/00; A47K 11/10; A47K 3/001;
B65D 47/40; A46B 2200/304; A46B
17/02; A46B 17/06
See application file for complete search history.

Primary Examiner — Nathan M Johnston
(74) *Attorney, Agent, or Firm* — Amster, Rothstein &
Ebenstein LLP

(57) **CLAIM**

The ornamental design for a bathroom accessories recep-
tacle, as shown and described.

DESCRIPTION

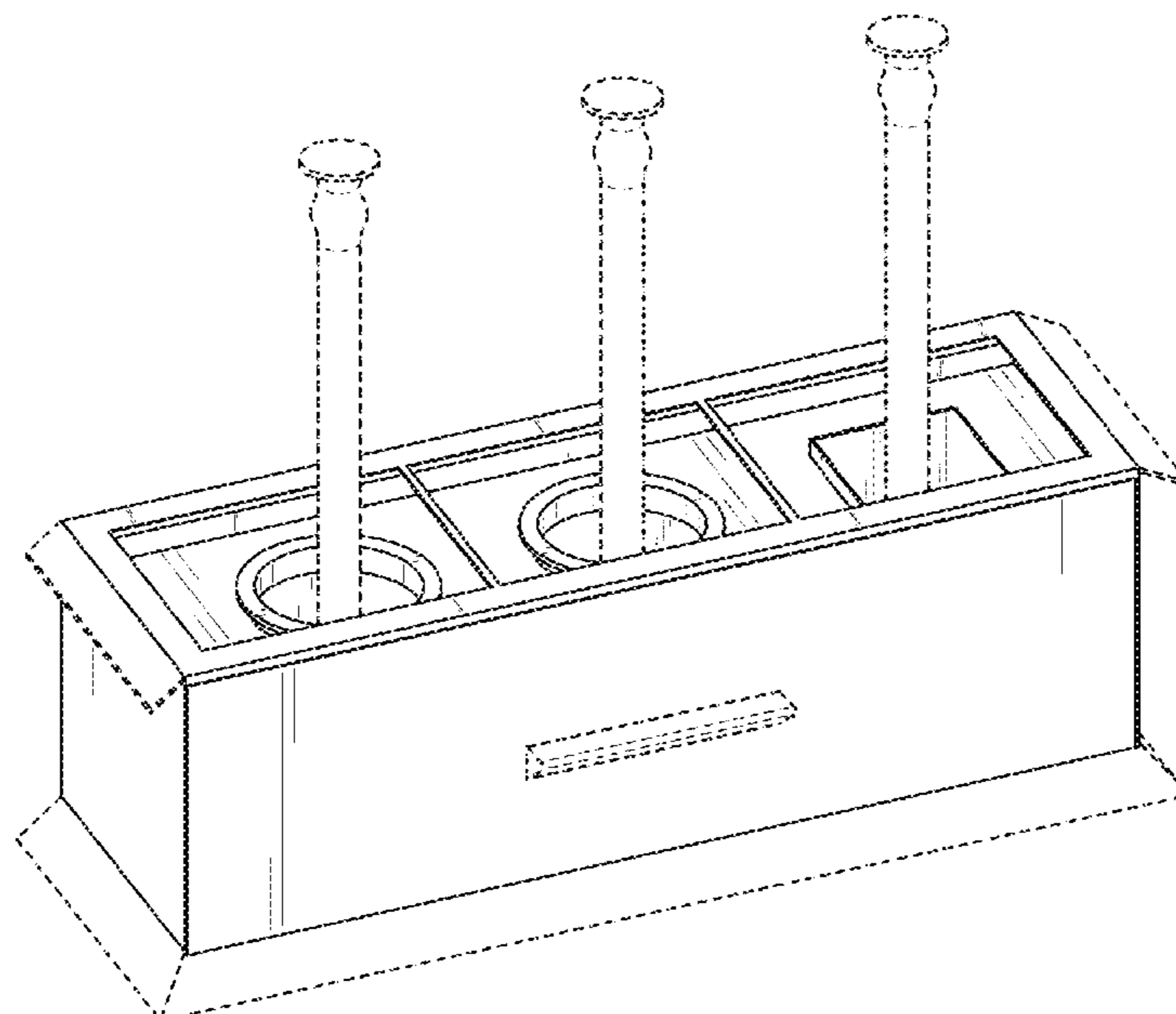
FIG. 1 is a front perspective view of the bathroom acces-
sories receptacle showing my new design in the open
position;
FIG. 2 is a front elevation view thereof;
FIG. 3 is a rear elevation view thereof;
FIG. 4 is a right side view thereof;
FIG. 5 is a left side view thereof;
FIG. 6 is a top plan view thereof; and
FIG. 7 is a bottom plan view thereof.
FIG. 8 is another perspective view of an embodiment of the
bathroom accessories receptacle in the closed position; and,
FIG. 9 is another perspective view of an embodiment of the
bathroom accessories receptacle in the closed position.
The broken lines illustrate portions of the bathroom acces-
sories receptacle and form no part of the claimed design. The
dashed lines immediately adjacent to the claimed areas in
the view of FIG. 6 illustrate the boundaries of the view.
The unshaded recessed surfaces within the receptacle are
unclaimed and form no part of the claimed design.

(56) **References Cited**

U.S. PATENT DOCUMENTS

D304,401 S * 11/1989 Wagner D7/705
D318,985 S * 8/1991 Szablak D30/133
D335,767 S * 5/1993 Yates D12/419
D335,978 S * 6/1993 Grahn D6/549
D340,012 S * 10/1993 Azzarelli D12/130
D351,042 S * 9/1994 Sulezich D6/525
D356,227 S * 3/1995 Hay D6/528
D358,067 S * 5/1995 Graves D6/571
D428,767 S * 8/2000 Turner, Jr. D7/505
D442,443 S * 5/2001 Perndocaj D7/701
D530,128 S * 10/2006 Doran D6/571

1 Claim, 9 Drawing Sheets



(56)

References Cited

U.S. PATENT DOCUMENTS

D686,842	S *	7/2013	Murphy	D6/515
D686,843	S *	7/2013	Murphy	D6/515
D702,963	S *	4/2014	Chavis	D6/513
D812,927	S *	3/2018	Schwarz	D6/534
2004/0050733	A1 *	3/2004	Page	A47K 1/09 206/362.2
2013/0341338	A1 *	12/2013	Mitchell	A45C 11/20 220/592.2
2015/0136623	A1 *	5/2015	Gooden	A45C 5/005 206/233

* cited by examiner

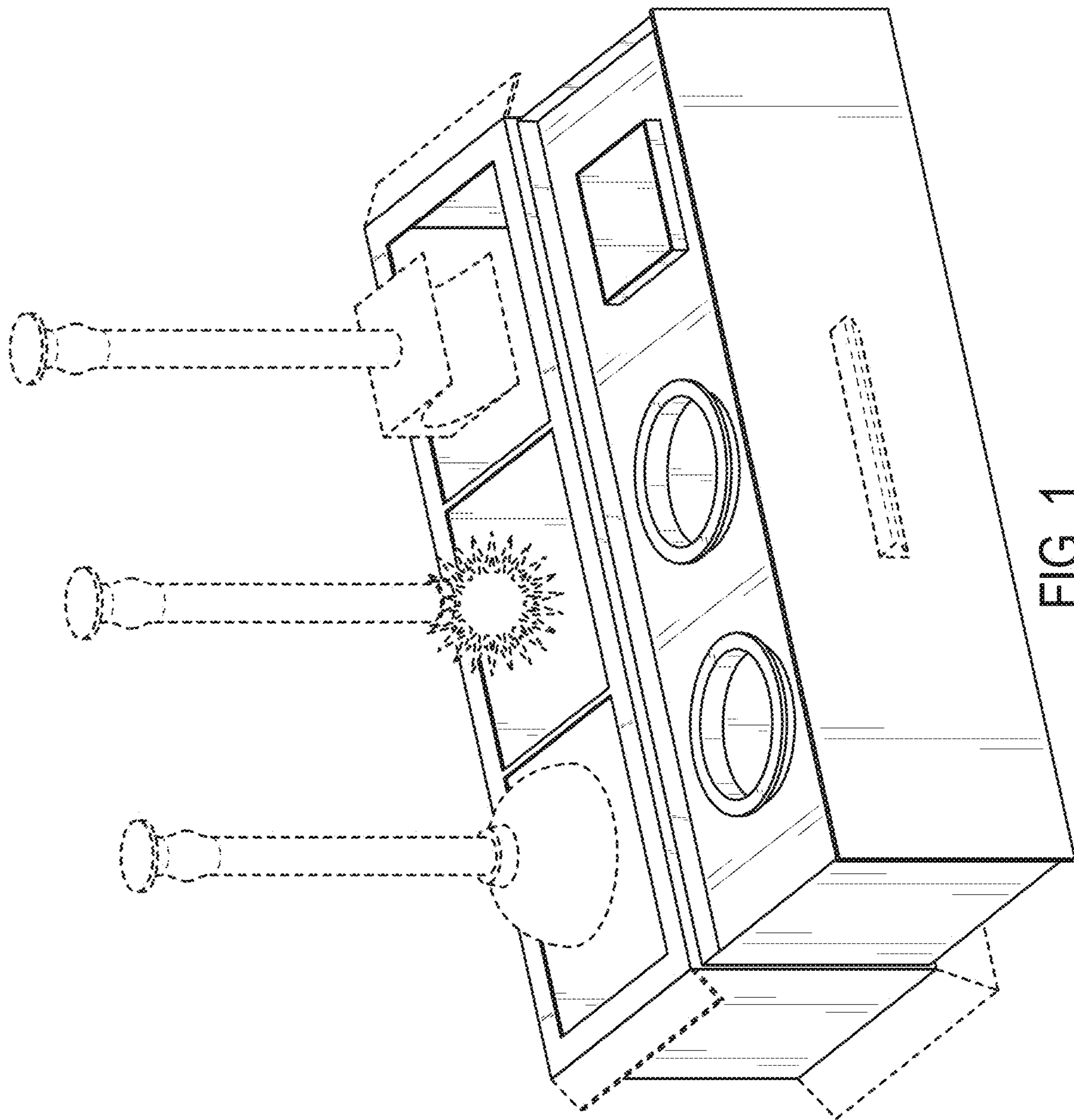


FIG. 1

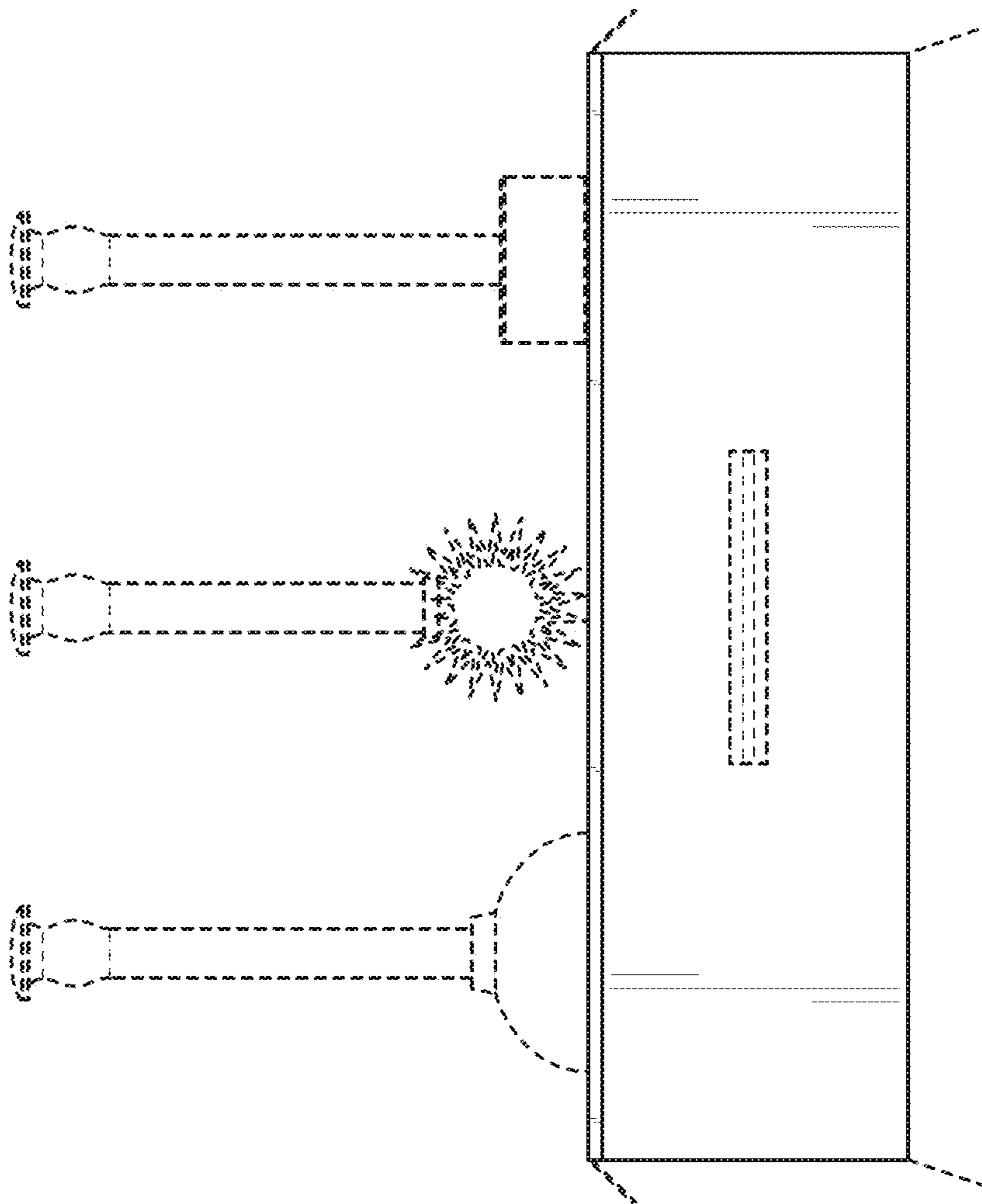


FIG. 2

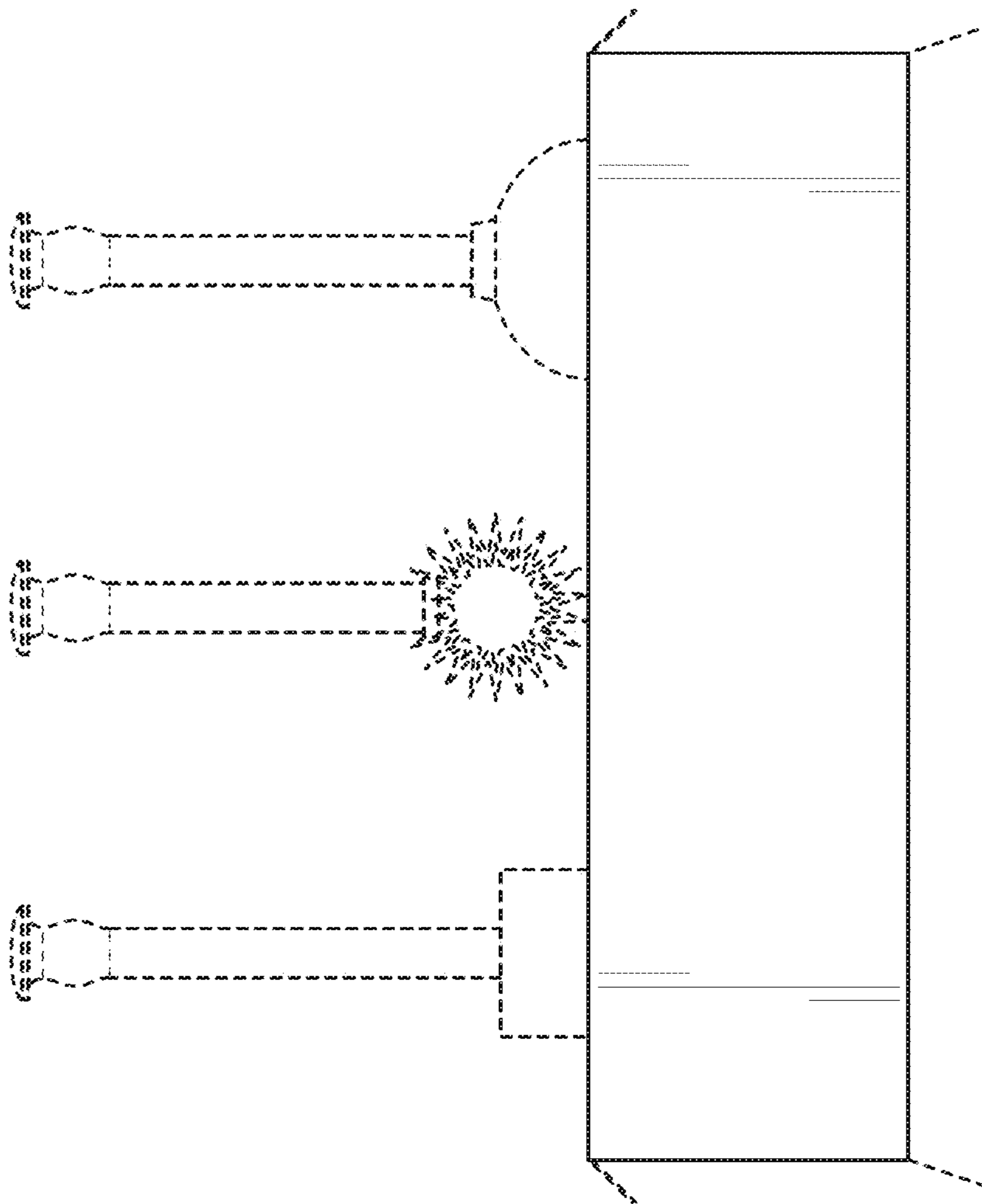


FIG. 3

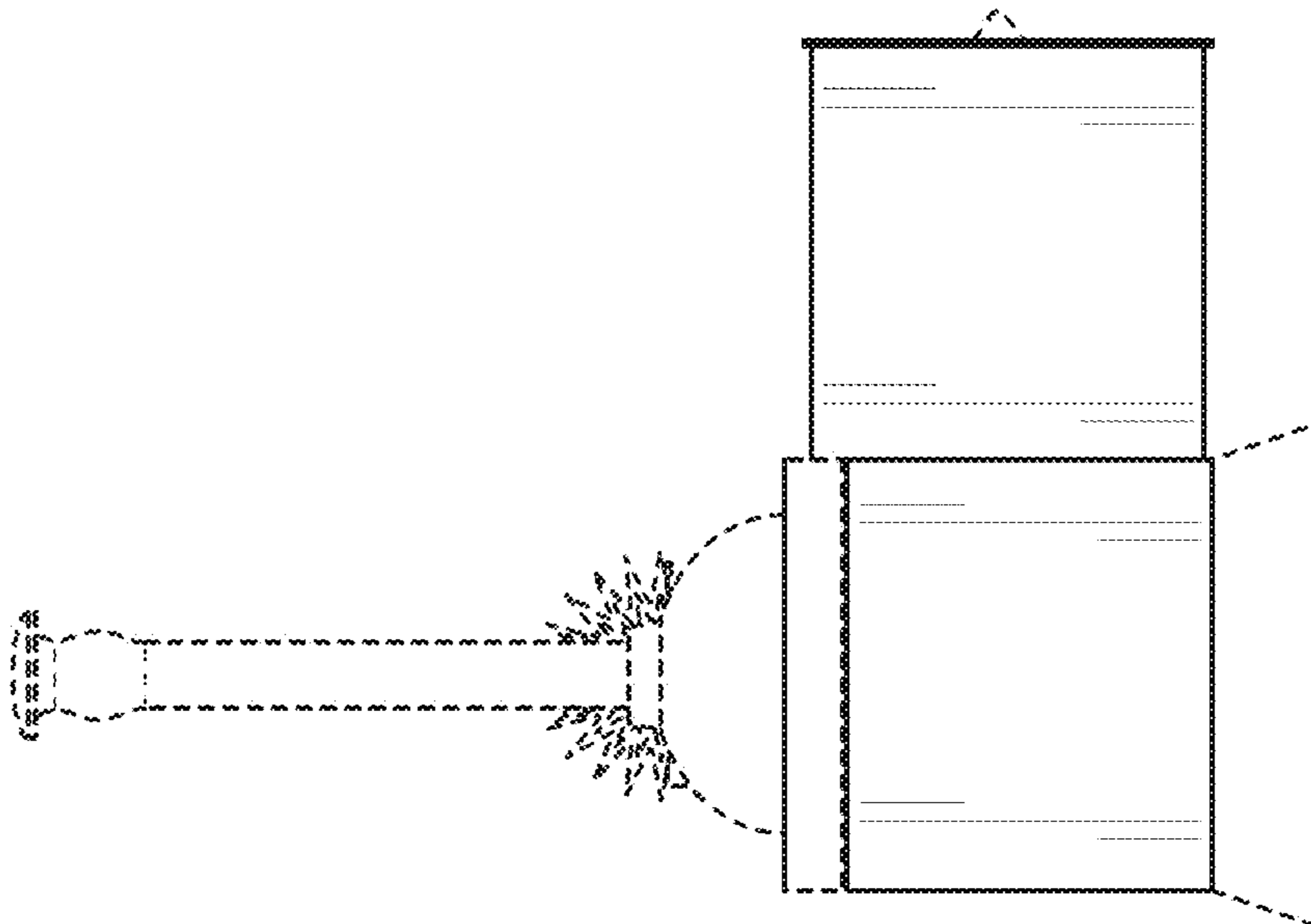


FIG. 4

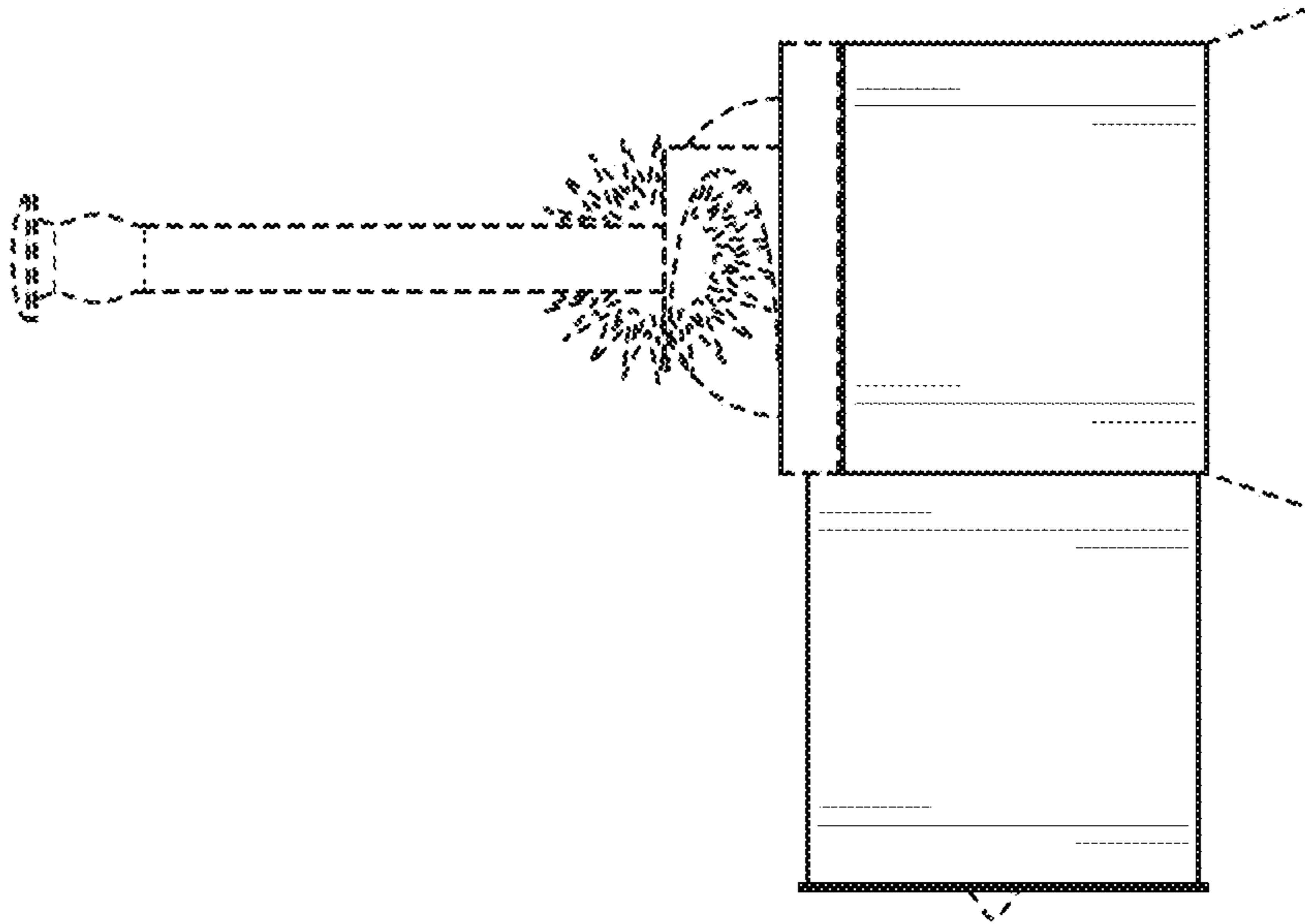


FIG. 5

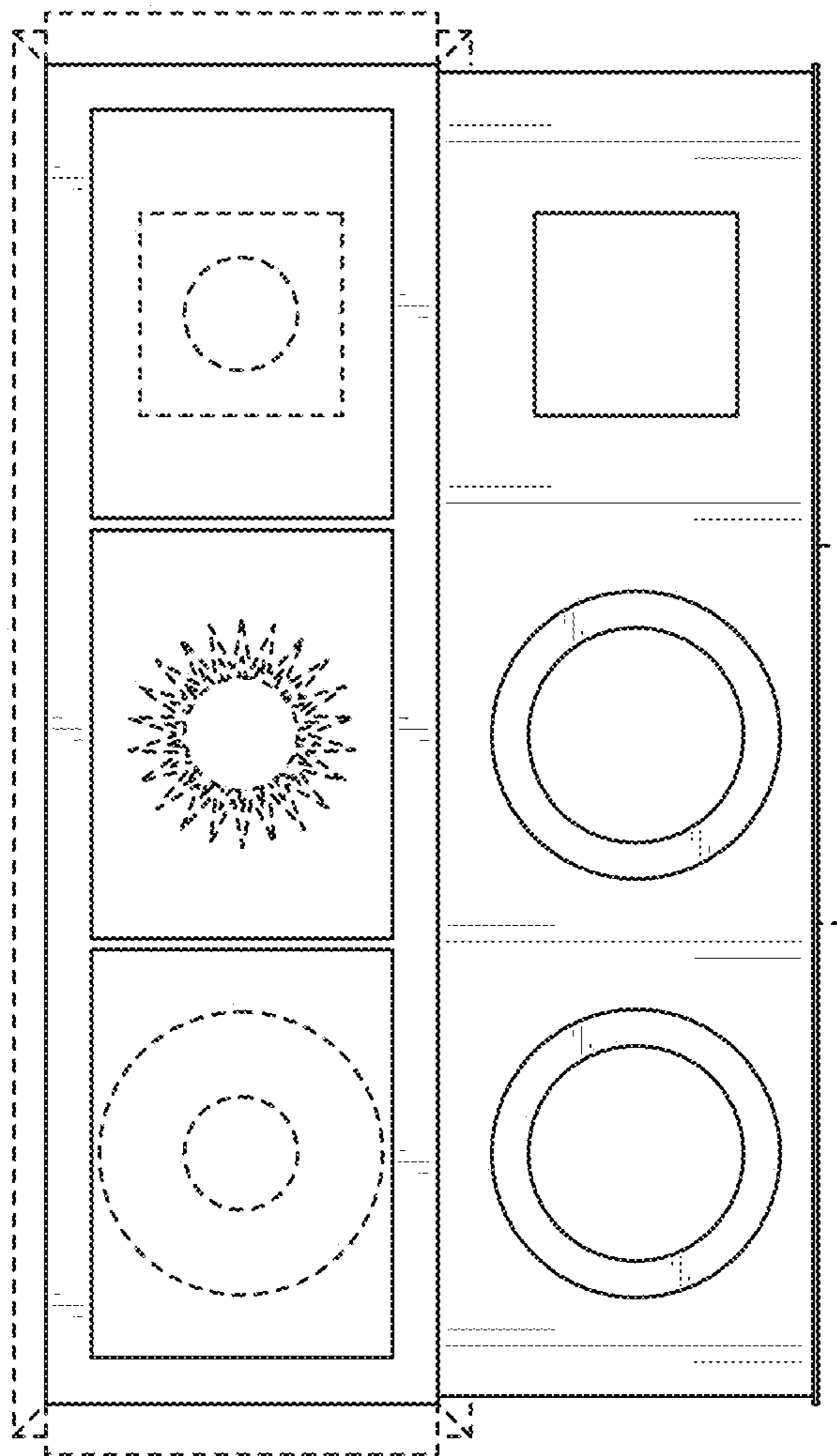


FIG. 6

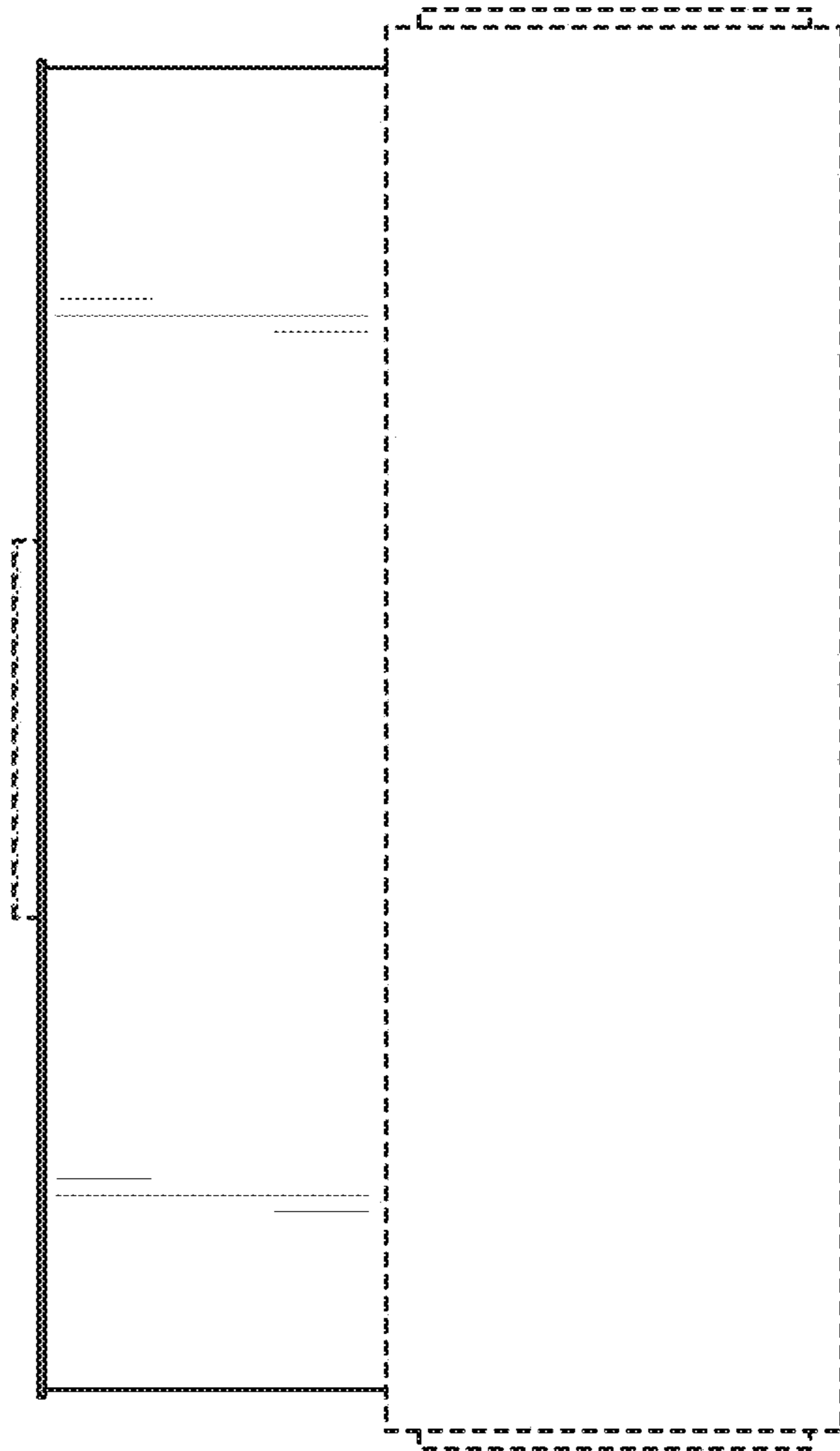


FIG. 7

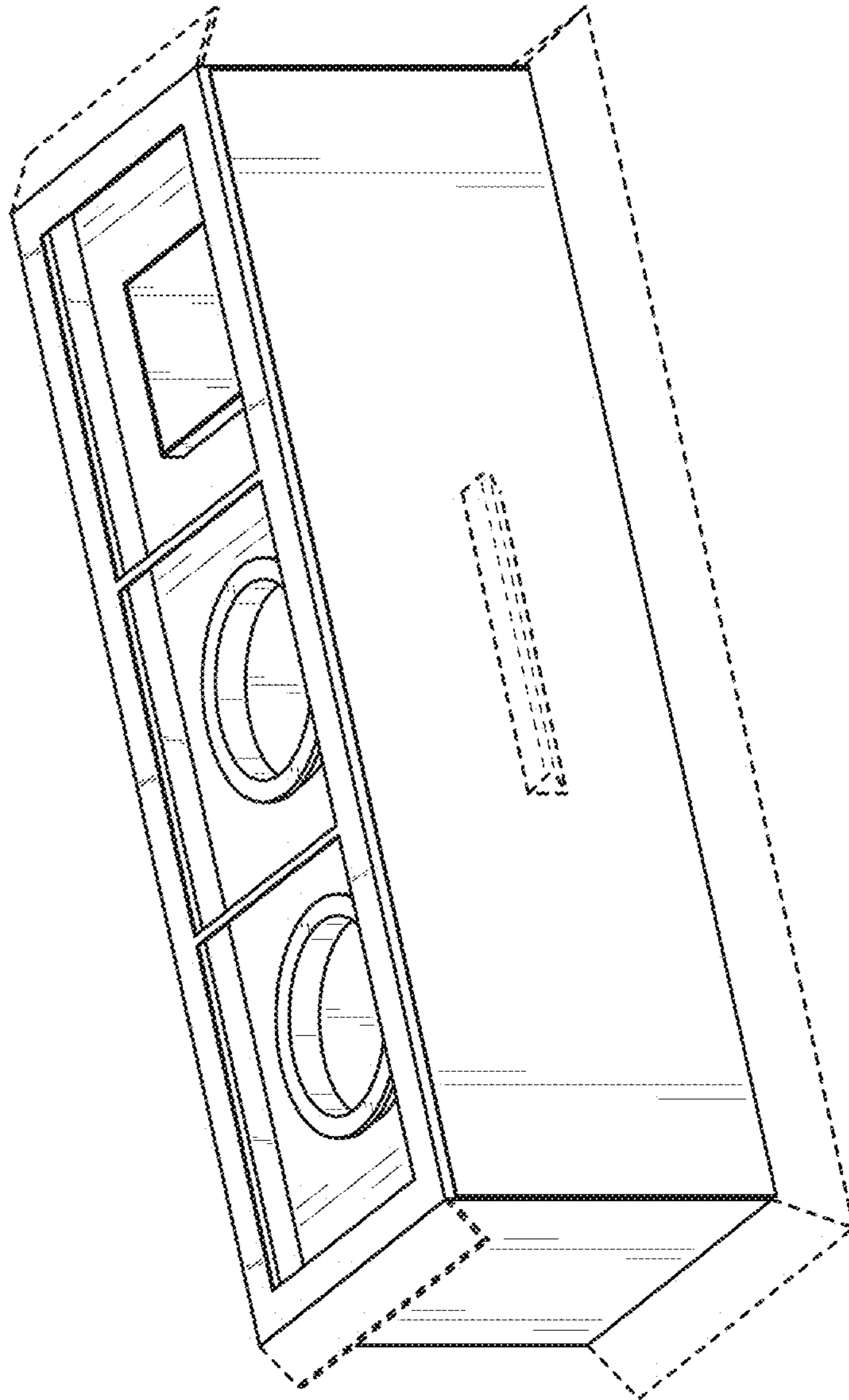


FIG. 8

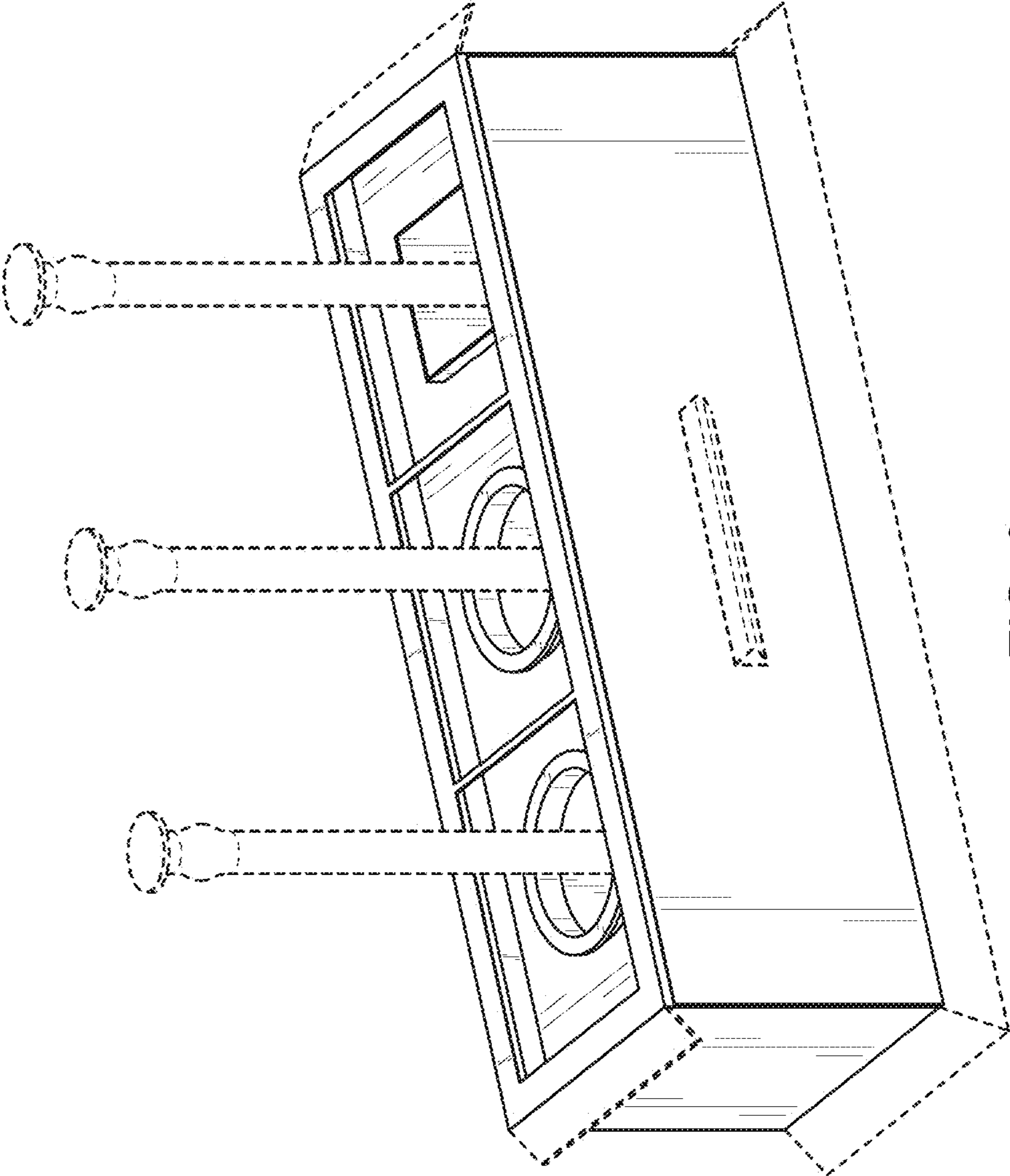


FIG. 9