



US00D878082S

(12) **United States Design Patent** (10) **Patent No.:** **US D878,082 S**
Cox (45) **Date of Patent:** **** Mar. 17, 2020**

(54) **BATHROOM ACCESSORY**

(71) Applicant: **John Cox**, River Forest, IL (US)

(72) Inventor: **John Cox**, River Forest, IL (US)

(**) Term: **15 Years**

(21) Appl. No.: **29/636,996**

(22) Filed: **Feb. 13, 2018**

(51) **LOC (12) Cl.** **23-02**

(52) **U.S. Cl.**
 USPC **D6/524; D6/551**

(58) **Field of Classification Search**
 USPC D6/551, 546–550, 51–525; D7/541, 555,
 D7/615; D32/40, 42, 46, 49, 51, 52;
 206/207, 349, 361; 312/206, 207;
 D8/80, 83, 94, 107, 300, 303, 315, 321;
 4/255.05, 255.11; D4/100, 102, 114, 117,
 D4/118, 121, 130–136, 138; 15/21.1,
 15/143.1, 145, 159.1, 160, 186–188;
 132/120, 142, 313; 16/110.1, 412, 415;
 108/28–29; 211/13.1, 16, 60.1, 100,
 211/86.01, 87.01, 88.1, 88.4, 105.1,
 211/105.2, 123, 182, 181.1; 242/570,
 242/290, 595–598; 248/175, 176.1, 251,
 248/302, 309.1
 CPC A47K 17/00; A47K 11/10; A47K 3/001;
 A47K 2010/3253; A47K 10/22; A47K
 10/3836; A47K 10/16; A47K 10/3818;
 A47K 2010/3233; B65D 47/40; A46B
 2200/304; A46B 17/02; A46B 17/06;
 A45F 2005/025; A45F 2005/027; B60R
 7/084

See application file for complete search history.

4,008,933 A	2/1977	Wanek	
4,192,561 A	3/1980	Gunn	
4,273,392 A	6/1981	Stinson	
4,432,451 A	2/1984	Hooser	
5,040,679 A	8/1991	Rehmann	
5,456,356 A	10/1995	Kurzawa	
D374,584 S	10/1996	Freeman	
D404,947 S *	2/1999	Porcelli	D6/522
5,887,818 A	3/1999	Kelley	
5,890,588 A *	4/1999	Leonard	A47K 11/10 206/1.5
5,971,141 A	10/1999	Shafik	
5,984,100 A	11/1999	Ramsey et al.	
D421,356 S *	3/2000	Wolff	D6/516
6,050,401 A	4/2000	Michaelson	
6,109,429 A	8/2000	Cunningham et al.	
6,193,059 B1	2/2001	Massaro	
D453,888 S *	2/2002	Gottwald	D6/551
D458,068 S	6/2002	Hillman	

(Continued)

Primary Examiner — Nathan M Johnston
 (74) *Attorney, Agent, or Firm* — McCracken & Gillen
 LLC

(57) **CLAIM**

The ornamental design for a bathroom accessory, as shown and described herein.

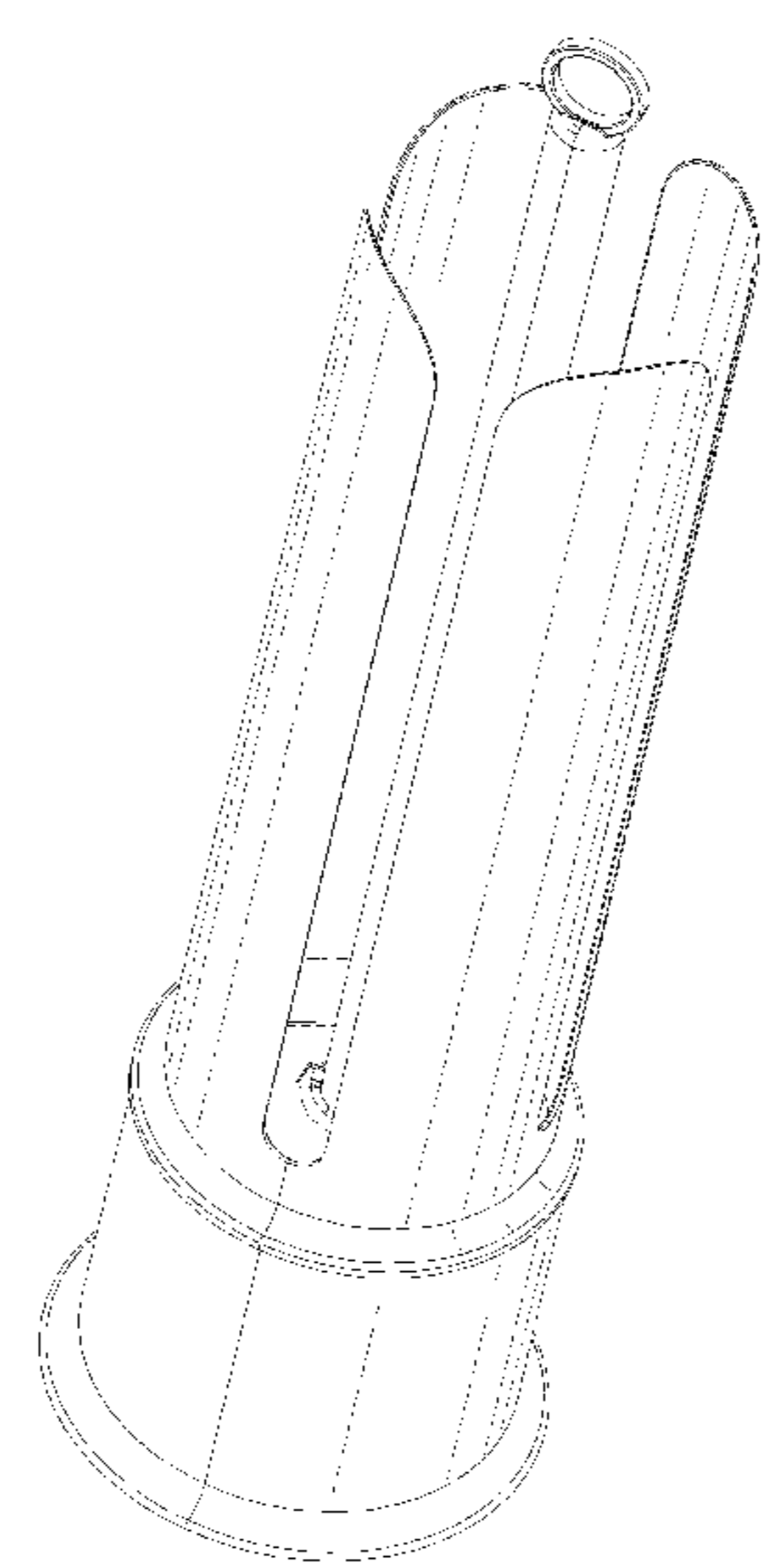
DESCRIPTION

FIG. 1 is an isometric view of a top, front, and left side of an ornamental design for a bathroom accessory;
 FIG. 2 is a front and/or rear elevational view of the bathroom accessory of FIG. 1;
 FIG. 3 is a left and/or right side elevational view of the bathroom accessory of FIG. 1;
 FIG. 4 is a top plan view of the bathroom accessory of FIG. 1; and,
 FIG. 5 is a bottom elevational view of the bathroom accessory of FIG. 1.
 The broken lines (where present) in all FIGS. illustrate portions of the bathroom accessory that form no part of the claimed design.

1 Claim, 5 Drawing Sheets

(56) **References Cited**
 U.S. PATENT DOCUMENTS

3,275,133 A	9/1966	Wood
3,429,474 A	2/1969	Cann



(56)

References Cited

U.S. PATENT DOCUMENTS

D483,590	S *	12/2003	Dretzka	D6/551
D484,723	S *	1/2004	Snell	D6/551
6,719,134	B2	4/2004	Phillips et al.		
6,729,470	B2	5/2004	Watlington		
D491,404	S	6/2004	Dotterman et al.		
D493,994	S *	8/2004	Belt	D6/551
6,769,542	B2	8/2004	Polito		
6,854,596	B1	2/2005	Wiese		
6,902,056	B2	6/2005	Dotterman et al.		
6,926,137	B2	8/2005	Rudnick et al.		
D511,062	S *	11/2005	Lai	D6/524
7,058,993	B2 *	6/2006	Nasco	A47K 17/00 206/349
D551,480	S	9/2007	Dretzka		
7,882,949	B1 *	2/2011	Singh	A47K 1/09 206/209.1
D689,299	S	9/2013	Kassem Llano et al.		
8,733,852	B2	5/2014	Gold et al.		
D706,549	S	6/2014	Cho		
D775,901	S *	1/2017	Lee	D7/603
D776,454	S *	1/2017	Cross	D6/521
9,862,523	B2	1/2018	Stuart et al.		
D832,521	S *	10/2018	West	D28/76
2003/0226777	A1	12/2003	Benson		
2008/0073243	A1	3/2008	Rosh		
2009/0045083	A1	2/2009	Vaults, Jr.		
2011/0168581	A1	7/2011	Williams		
2015/0090717	A1	4/2015	Marcell		
2016/0309971	A1	10/2016	Gormeley		

* cited by examiner

FIG. 1

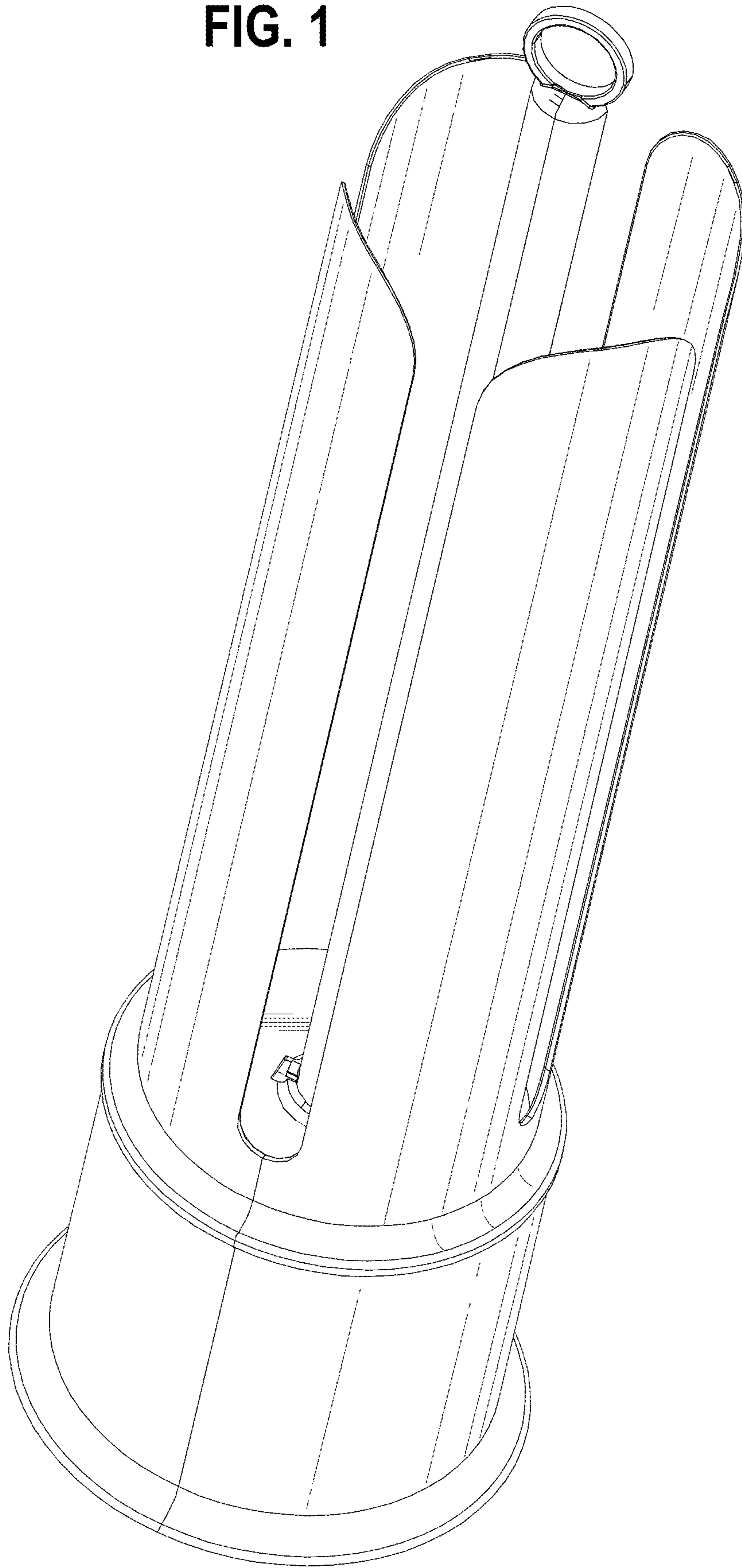


FIG. 2

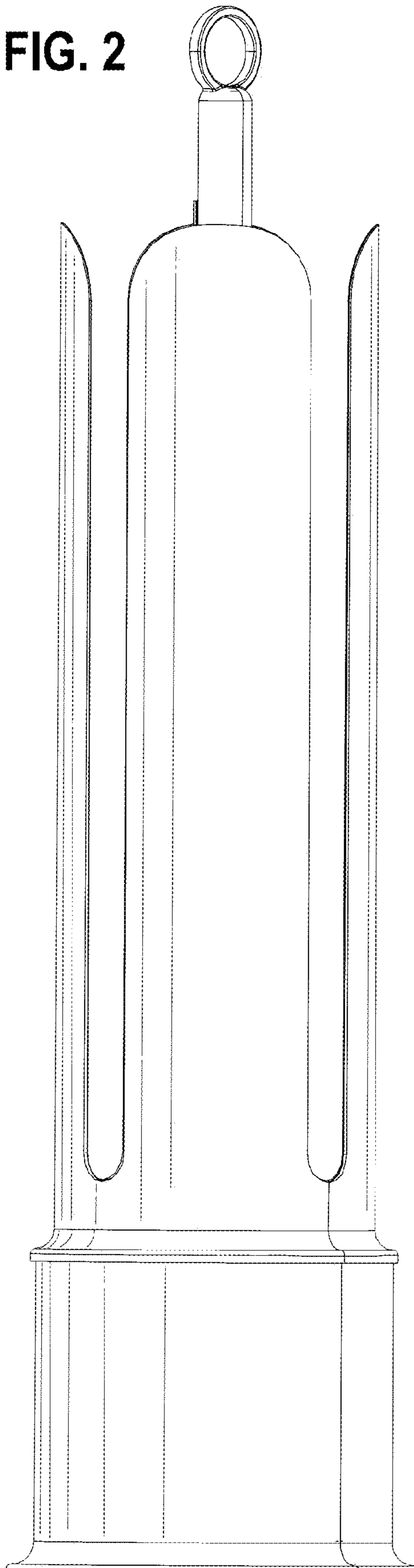


FIG. 3

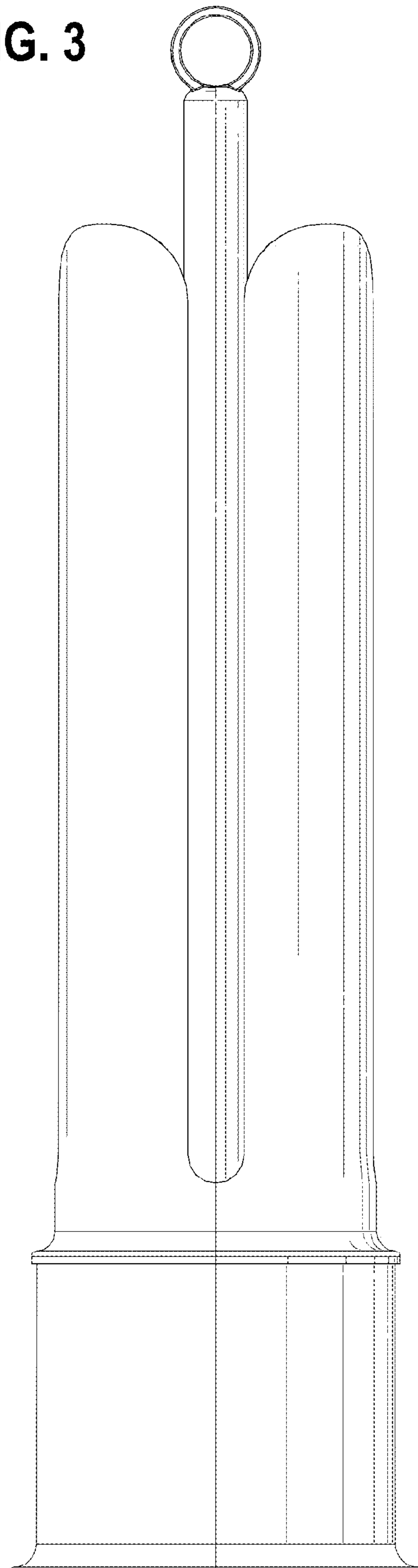


FIG. 4

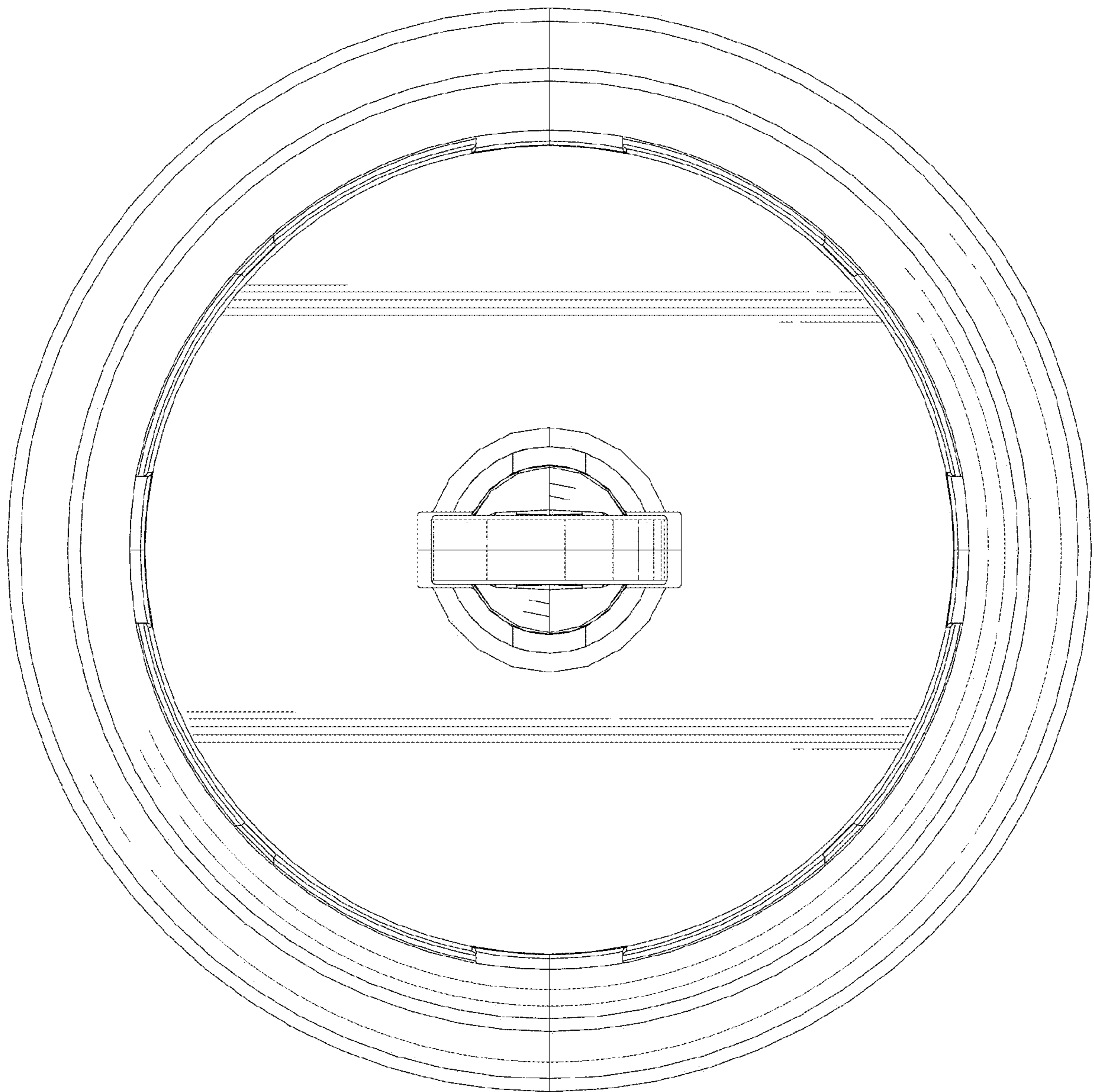


FIG. 5

