



US00D878081S

(12) **United States Design Patent**
Kaselau

(10) **Patent No.:** **US D878,081 S**

(45) **Date of Patent:** **** Mar. 17, 2020**

- (54) **TOILET TISSUE HOLDER**
- (71) Applicant: **Robert P. Kaselau**, Solana Beach, CA (US)
- (72) Inventor: **Robert P. Kaselau**, Solana Beach, CA (US)
- (**) Term: **15 Years**

4,427,159 A *	1/1984	Miller	A47K 10/38 242/560
D370,736 S *	6/1996	Douglas	D25/64
D403,187 S *	12/1998	Klein	D6/513
D416,731 S *	11/1999	Klein	D6/548
D427,829 S *	7/2000	Fleming	D6/523
D498,542 S *	11/2004	Brushaber	D25/64
D542,065 S *	5/2007	Snell	D6/514
D584,085 S *	1/2009	Hendrickson	D6/546
D627,999 S *	11/2010	Bostle	D6/523
D739,958 S *	9/2015	Bangura	D25/64
D759,840 S *	6/2016	Grovender	D25/64

- (21) Appl. No.: **29/698,531**
- (22) Filed: **Jul. 17, 2019**
- (51) **LOC (12) Cl.** **23-02**
- (52) **U.S. Cl.**
USPC **D6/523**
- (58) **Field of Classification Search**
USPC D6/515-524, 546-550, 537; D8/300,
D8/303, 315-321, 356, 371-374;
108/28-29; 211/13.1, 16, 60.1, 87.01,
211/88.01, 88.04, 100, 105.1, 182, 44;
248/175, 176.1, 251, 302; 242/570, 590,
242/595-598, 560, 596.8, 598.1;
D25/62-69
CPC A45F 2005/025; A45F 2005/027; A47K
2010/3253; A47K 10/02; A47K 10/3836;
A47K 10/16; A47K 10/3818; A47K
2010/3233; B60R 7/084
See application file for complete search history.

* cited by examiner

Primary Examiner — Nathan M Johnston
(74) *Attorney, Agent, or Firm* — Donn K. Harms

(57) **CLAIM**

The ornamental design for toilet tissue holder, as shown and described.

DESCRIPTION

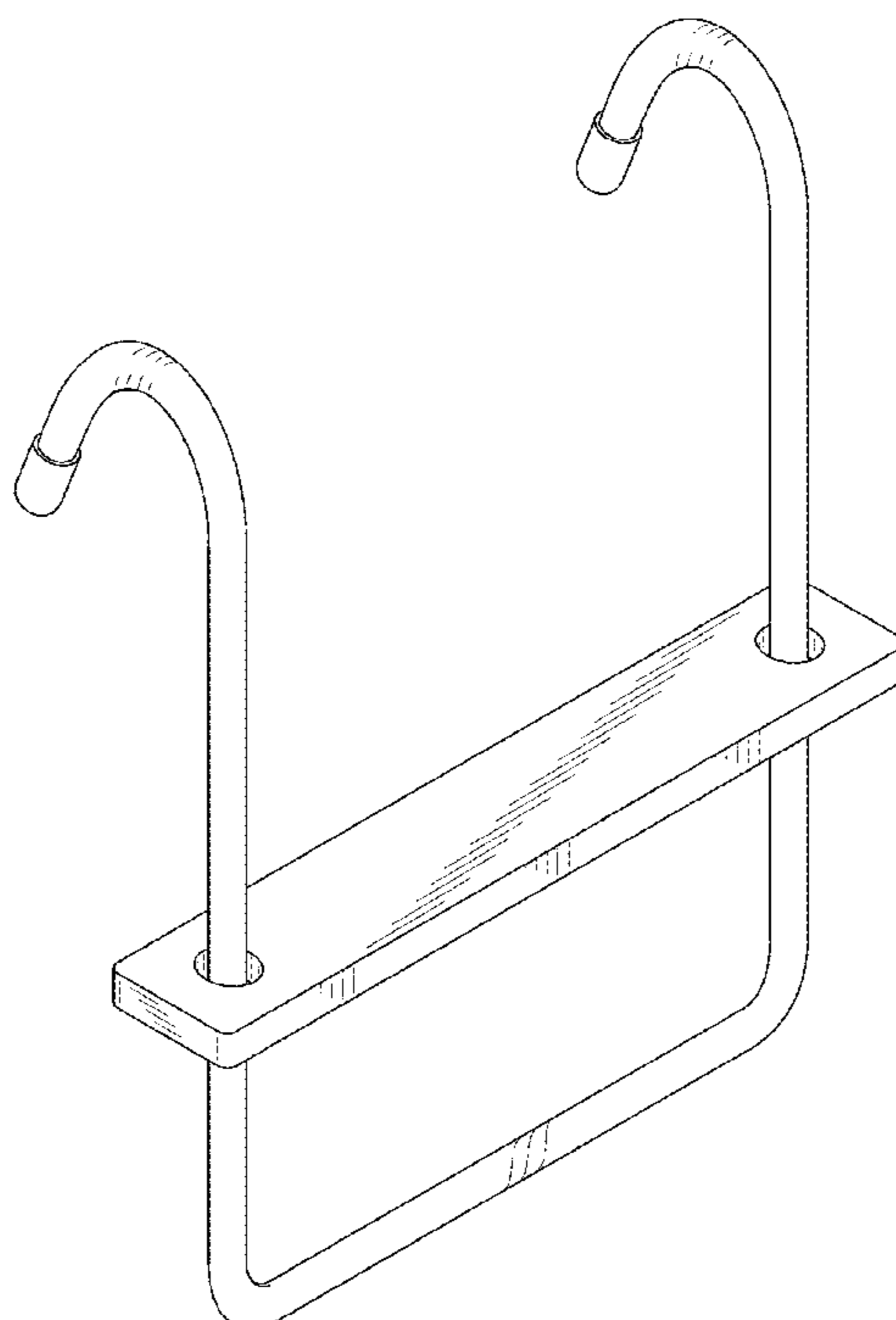
FIG. 1 is a front perspective view of a toilet tissue holder according to the design;
 FIG. 2 is a second front perspective view thereof;
 FIG. 3 is a front view thereof;
 FIG. 4 is a rear view thereof;
 FIG. 5 is a right side view thereof;
 FIG. 6 is a left side view thereof;
 FIG. 7 is a top view thereof; and,
 FIG. 8 is a bottom view thereof.

The dotted lines showing of a roll of toilet paper and showing a support holding toilet tissue holder in FIG. 1 are for illustrative purposes only and forms no part of the claimed design.

(56) **References Cited**
U.S. PATENT DOCUMENTS

D179,748 S *	2/1957	Tunstead	D25/64
D183,536 S *	9/1958	Oberholtz	D25/69

1 Claim, 6 Drawing Sheets



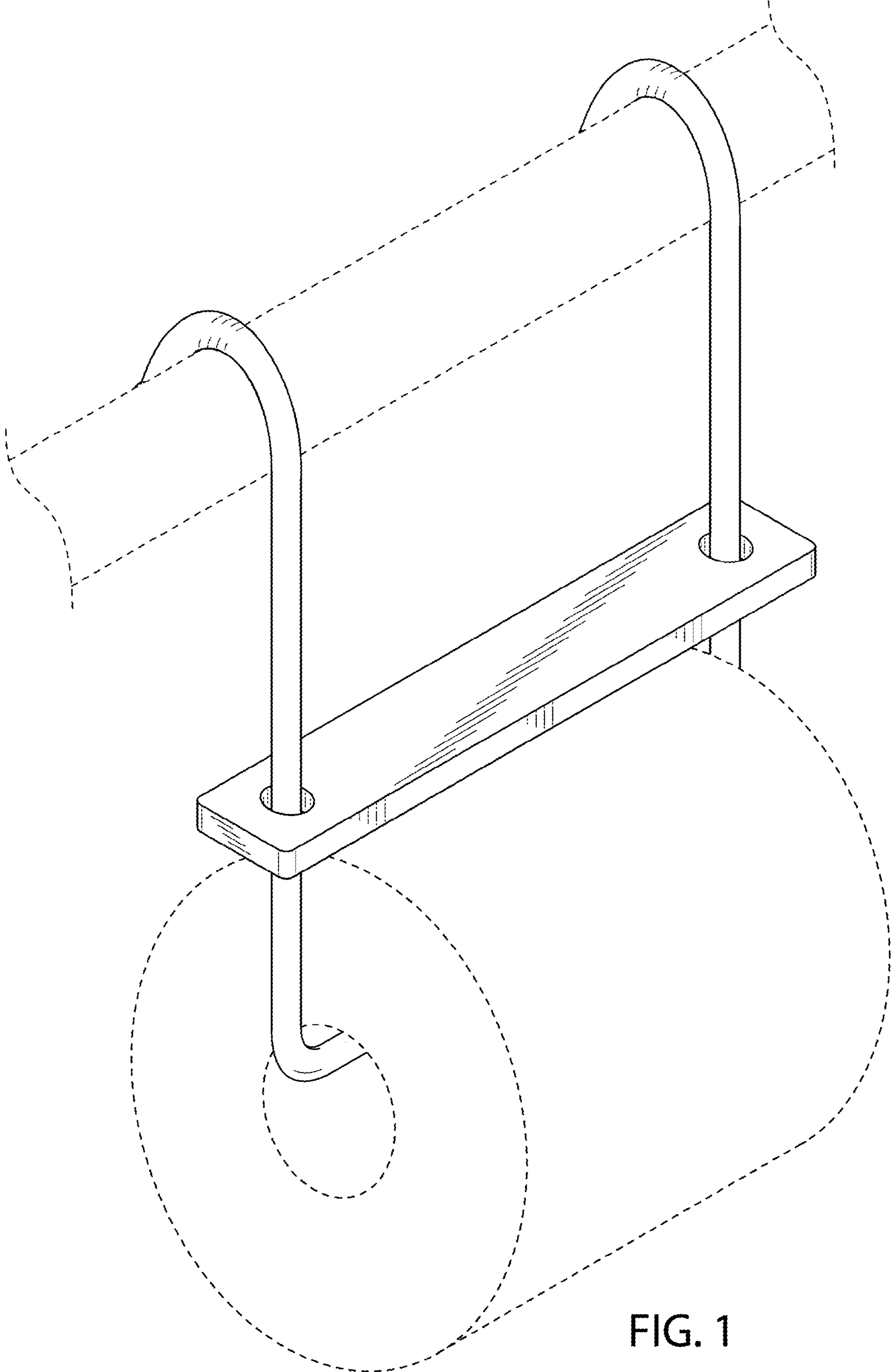


FIG. 1

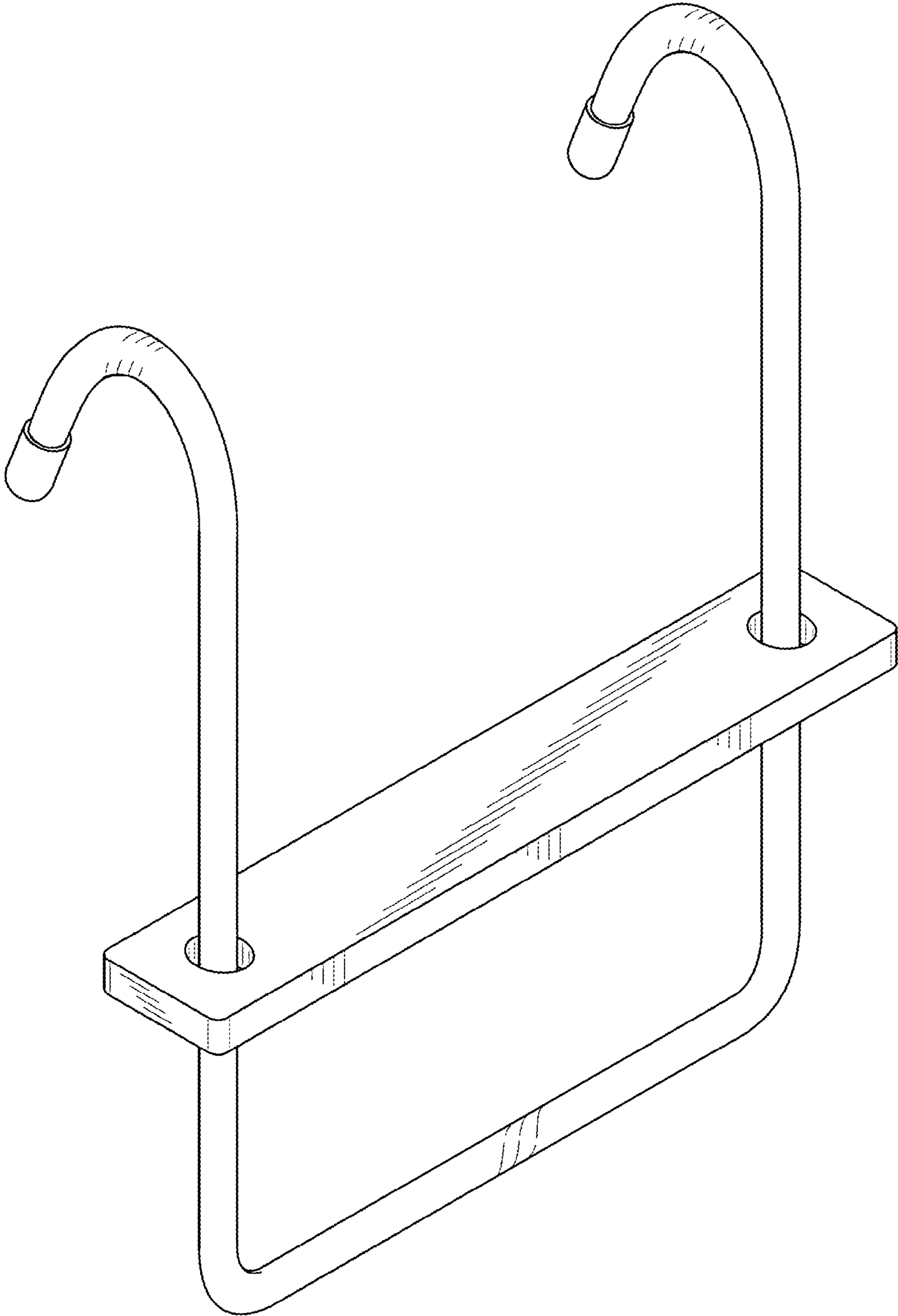


FIG. 2

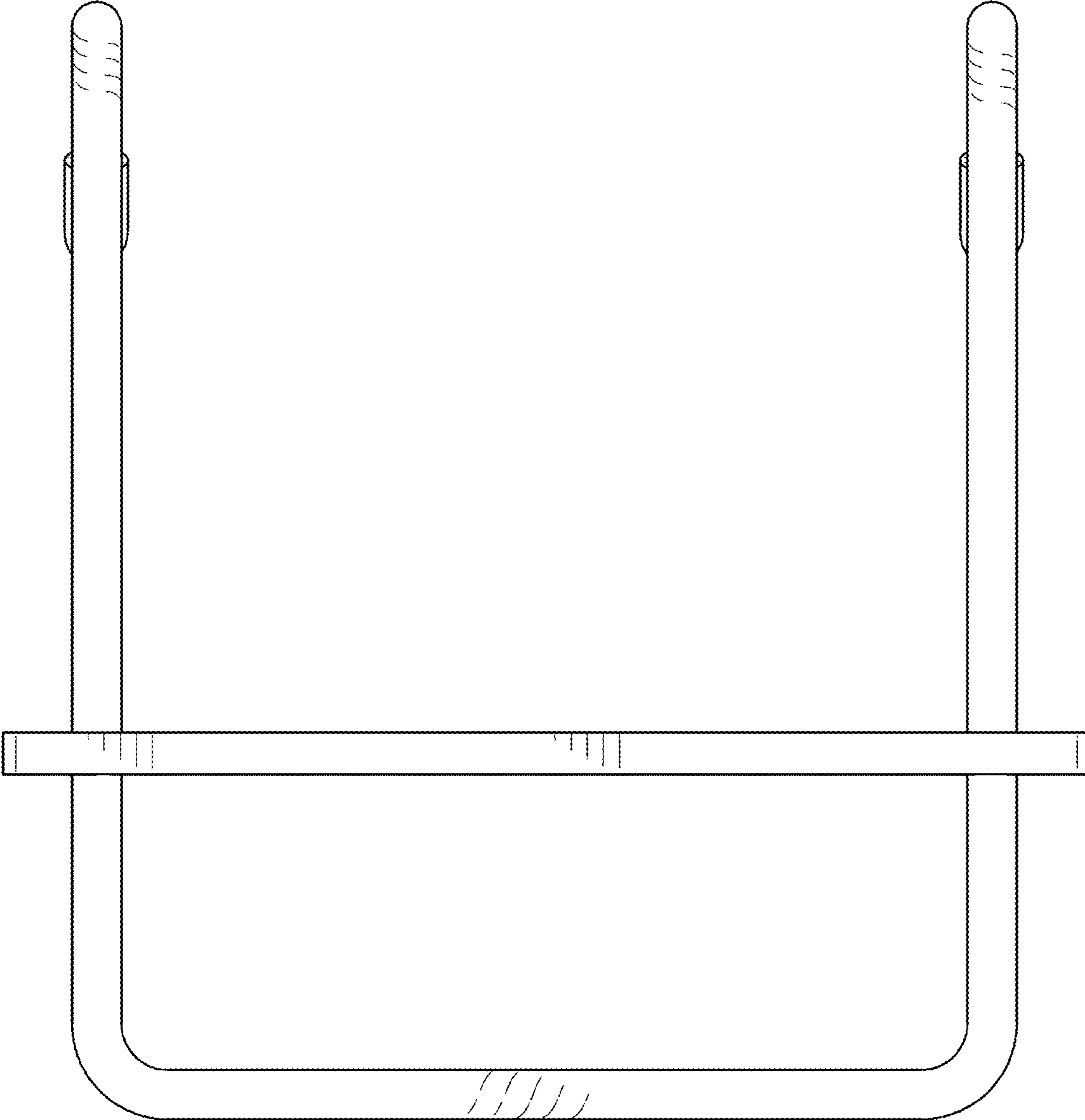


FIG. 3

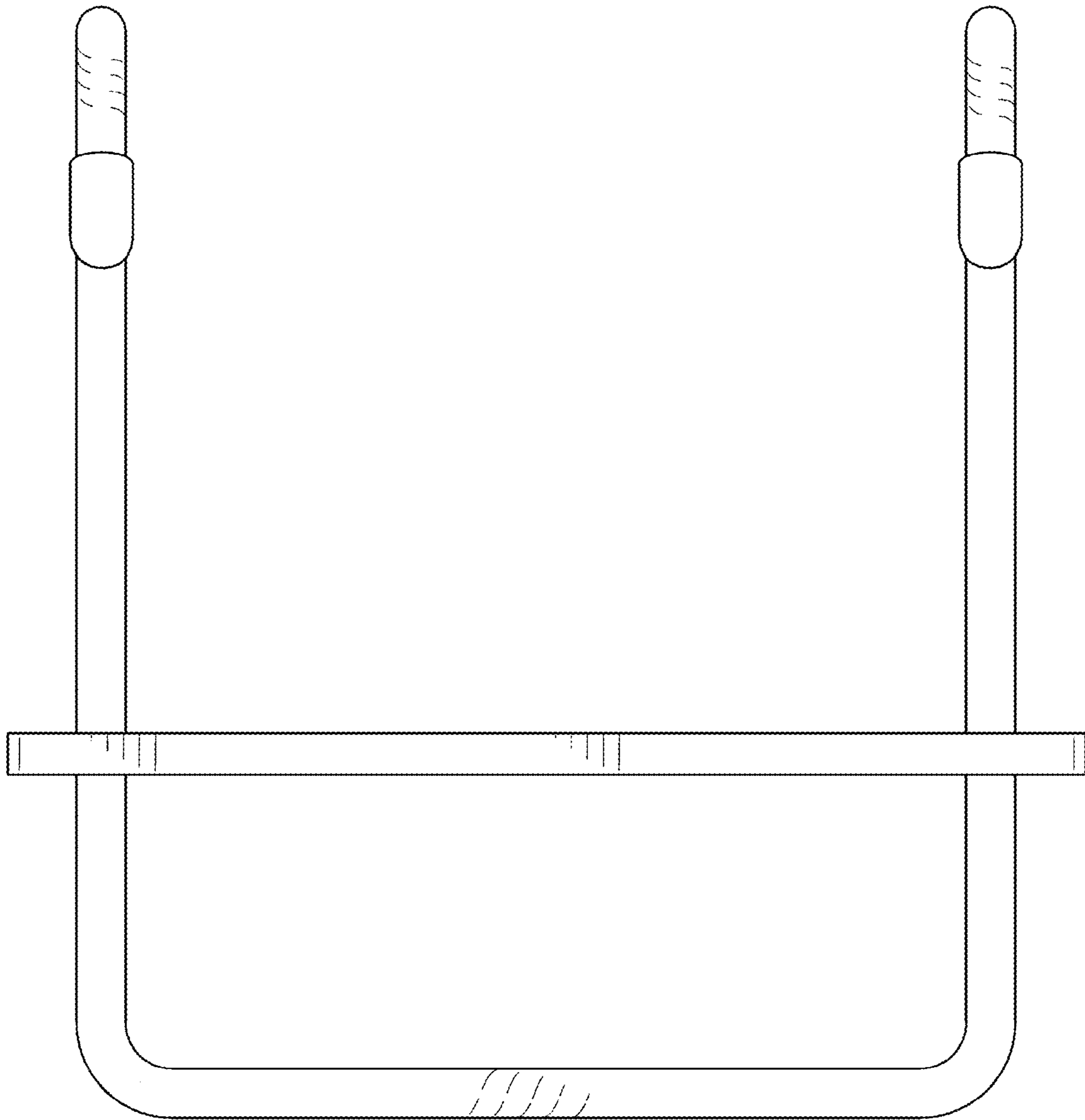


FIG. 4

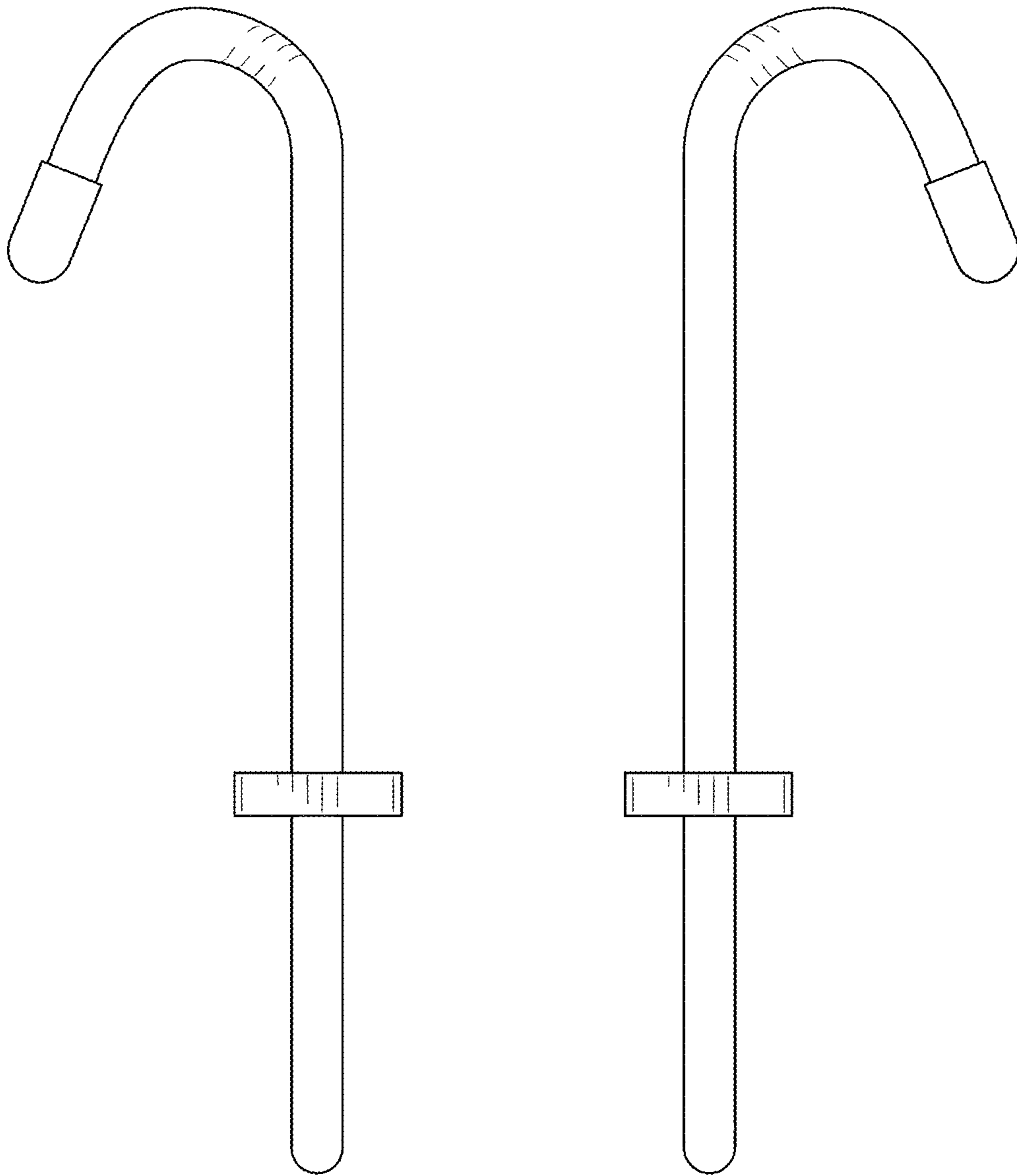


FIG. 5

FIG. 6

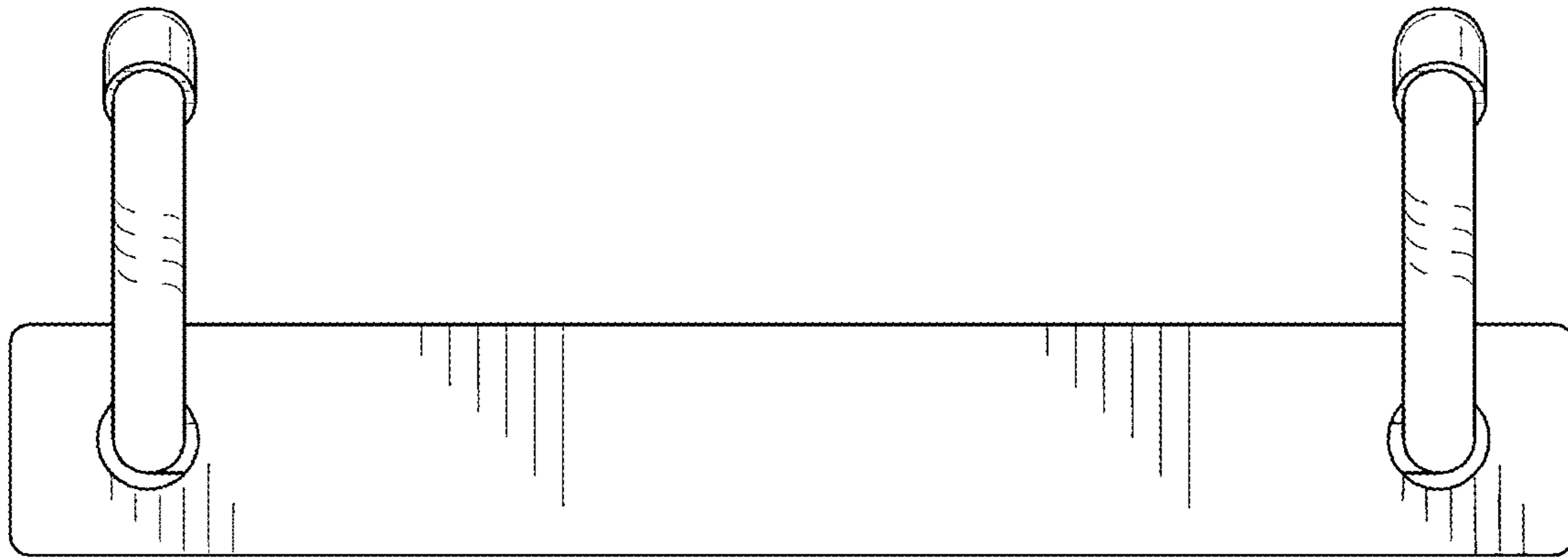


FIG. 7

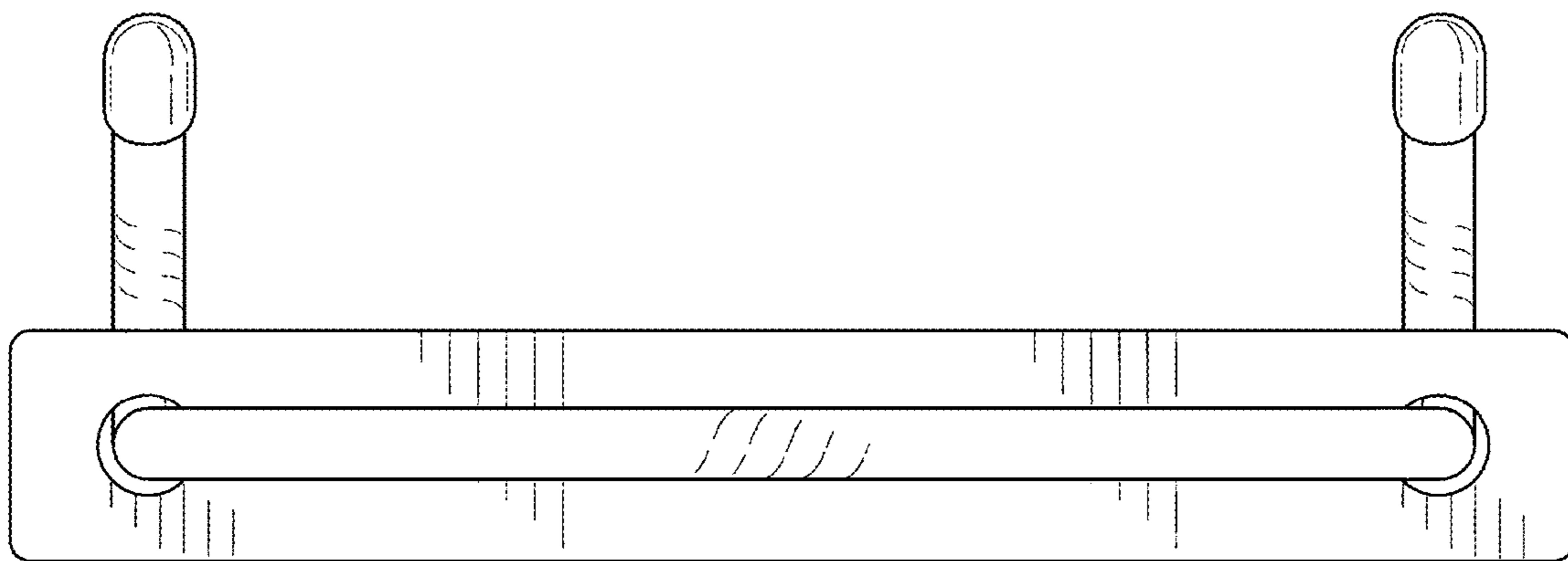


FIG. 8