



US00D878077S

(12) **United States Design Patent**
Goodman et al.

(10) **Patent No.:** **US D878,077 S**
(45) **Date of Patent:** **** Mar. 17, 2020**

- (54) **PAPER TOWEL HOLDER**
- (71) Applicant: **Spectrum Diversified Designs, LLC**,
Streetsboro, OH (US)
- (72) Inventors: **Aaron Goodman**, Beachwood, OH
(US); **Megan Dittrich**, Twinsburg, OH
(US)
- (73) Assignee: **SPECTRUM DIVERSIFIED
DESIGNS, LLC**, Streetsboro, OH (US)
- (**) Term: **15 Years**
- (21) Appl. No.: **29/669,305**
- (22) Filed: **Nov. 7, 2018**
- (51) **LOC (12) Cl.** **20-02**
- (52) **U.S. Cl.**
USPC **D6/521**
- (58) **Field of Classification Search**
USPC D6/518-522; 211/13.1, 45, 59.1, 89.01;
248/309.1, 309.2; 206/389, 391;
242/590, 597.7
CPC A47K 10/04; A47K 10/10; A47K 10/3836;
A47K 2010/324; A47K 2010/389; B08B
1/006
See application file for complete search history.

D521,287 S *	5/2006	Mellen	D6/521
D523,268 S *	6/2006	Goodman	D6/521
D530,549 S *	10/2006	Yang	D6/521
D563,130 S *	3/2008	Griffith	D6/521
D761,039 S *	7/2016	Locker	D6/521
2007/0262191 A1 *	11/2007	Amron	A47K 10/3836 242/597.7
2009/0079526 A1 *	3/2009	Tong	F16C 32/0408 335/285
2017/0265692 A1 *	9/2017	Deng	A47K 10/22

OTHER PUBLICATIONS

Matera Paper Towel Holder | Spectrum Diversified web page,
<https://www.spectrumdiversified.com/products/matera-paper-towel-holder>, dated Oct. 19, 2018, 1 page.

* cited by examiner

Primary Examiner — Nathan M Johnston
(74) *Attorney, Agent, or Firm* — Tucker Ellis LLP

(57) **CLAIM**

The ornamental design for a paper towel holder, as shown and described.

DESCRIPTION

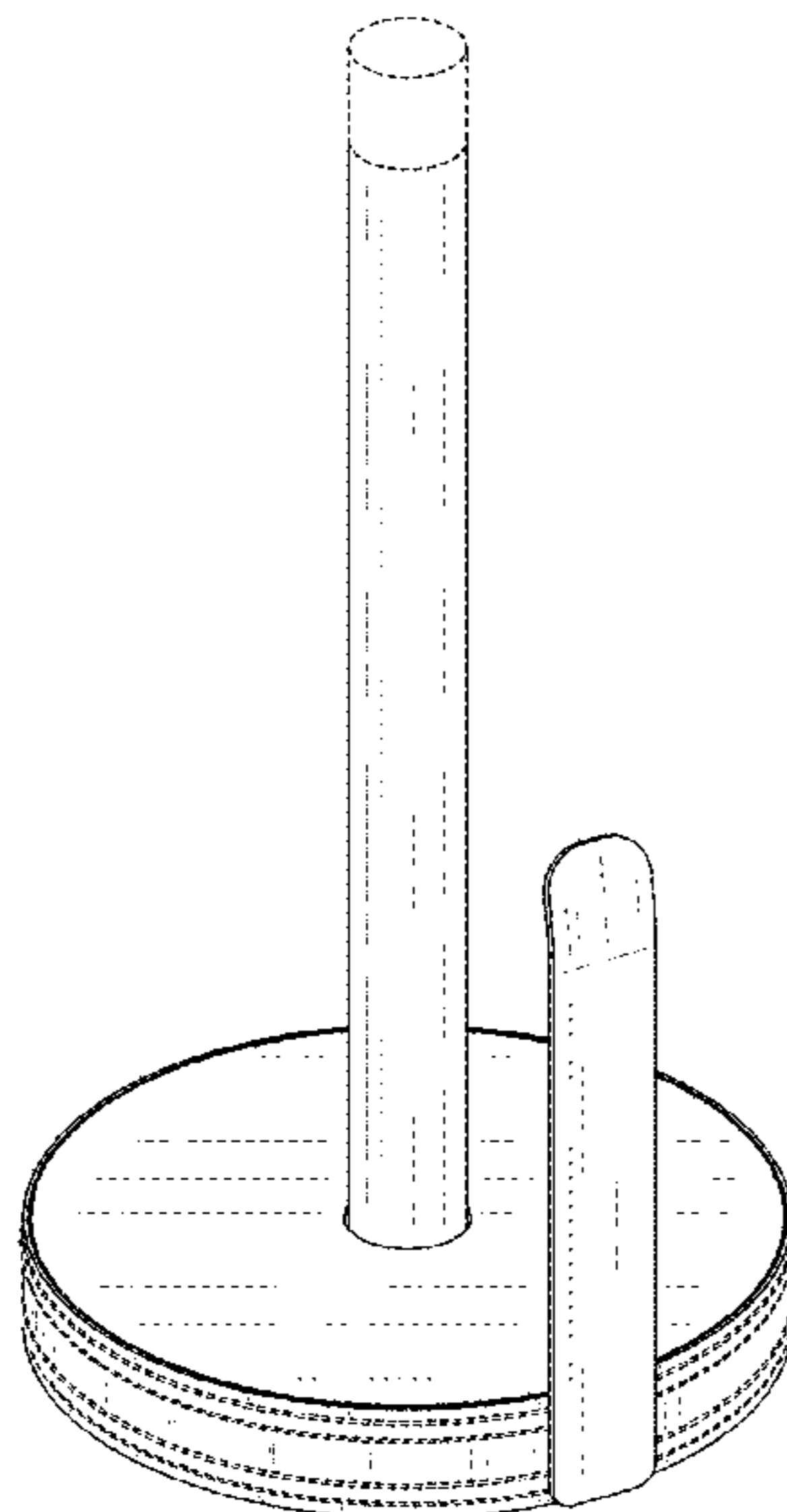
FIG. 1 is a perspective view of a paper towel holder showing our new design.
FIG. 2 is a right side view thereof.
FIG. 3 is a left side view thereof.
FIG. 4 is a rear thereof.
FIG. 5 is a front thereof.
FIG. 6 is a top view thereof; and,
FIG. 7 is a bottom view thereof.
The broken lines show portions of the design that form no part of the claimed design.

1 Claim, 4 Drawing Sheets

(56) **References Cited**

U.S. PATENT DOCUMENTS

D306,809 S *	3/1990	Joseph	D6/521
5,297,750 A *	3/1994	Hunt	B65H 35/002 242/129.8
5,355,592 A *	10/1994	Pardini	F26B 25/18 211/171
D432,828 S *	10/2000	Snell	D6/522
D499,915 S *	12/2004	Snell	D6/521



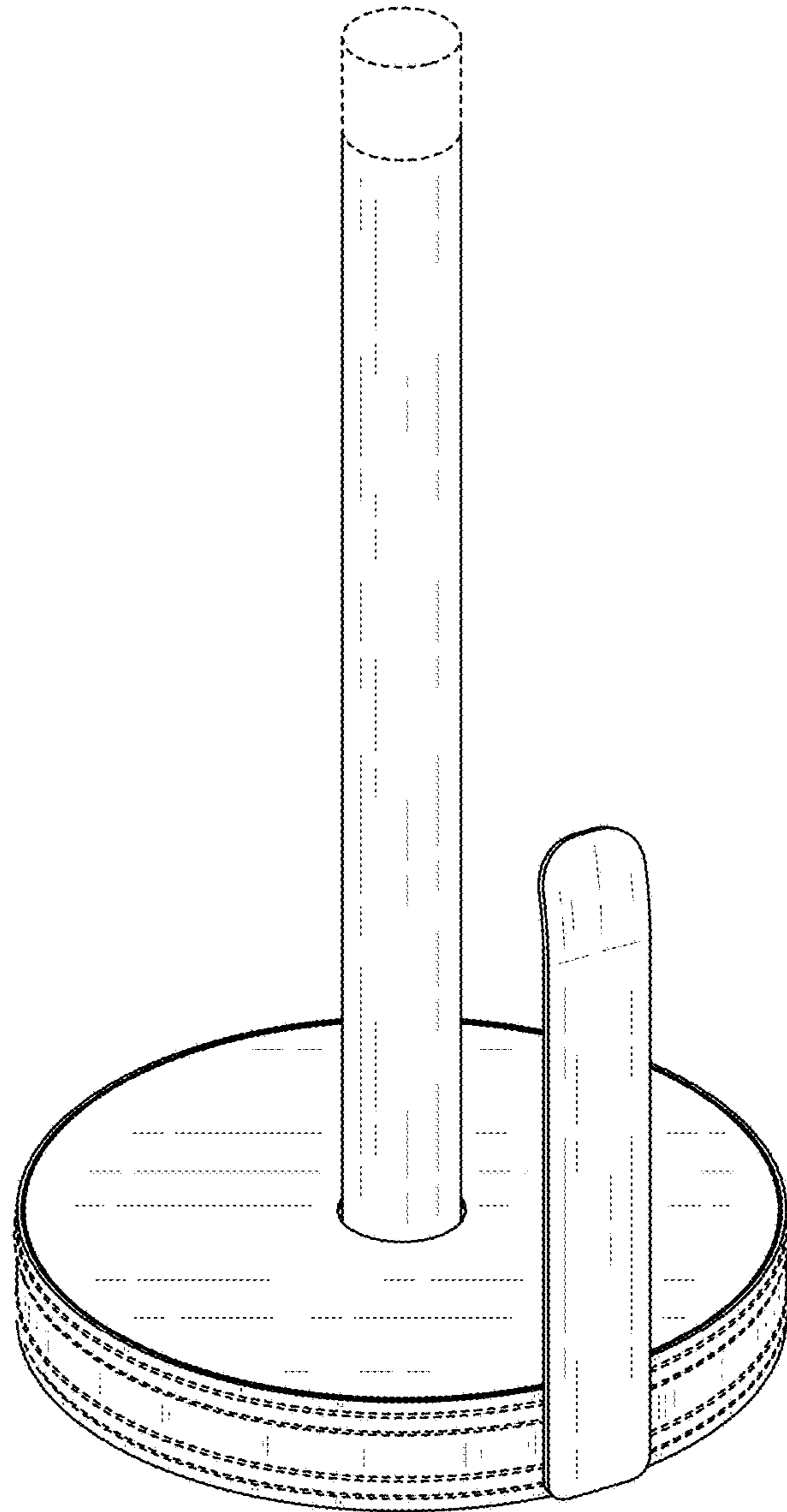


FIG. 1

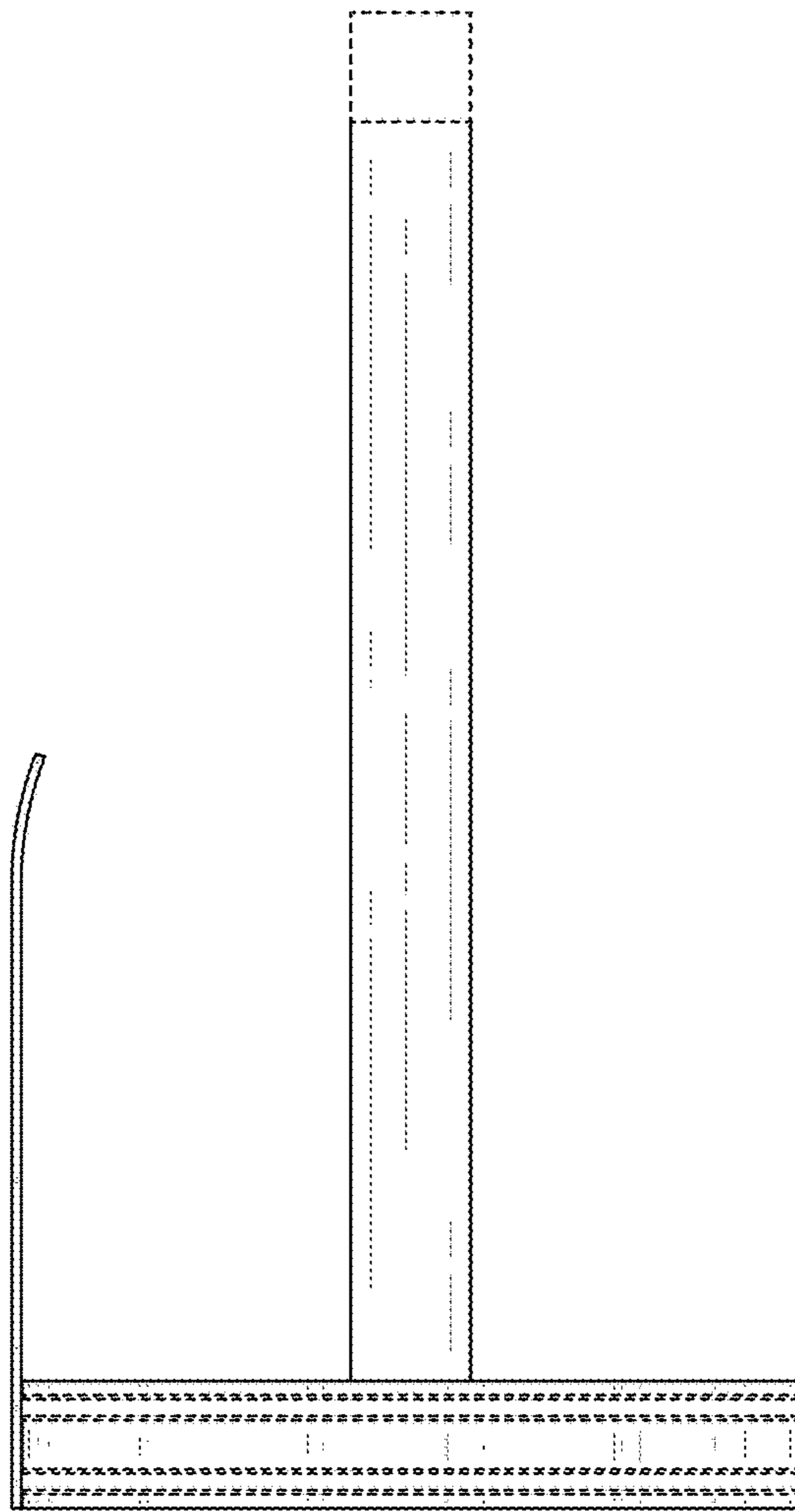


FIG. 2

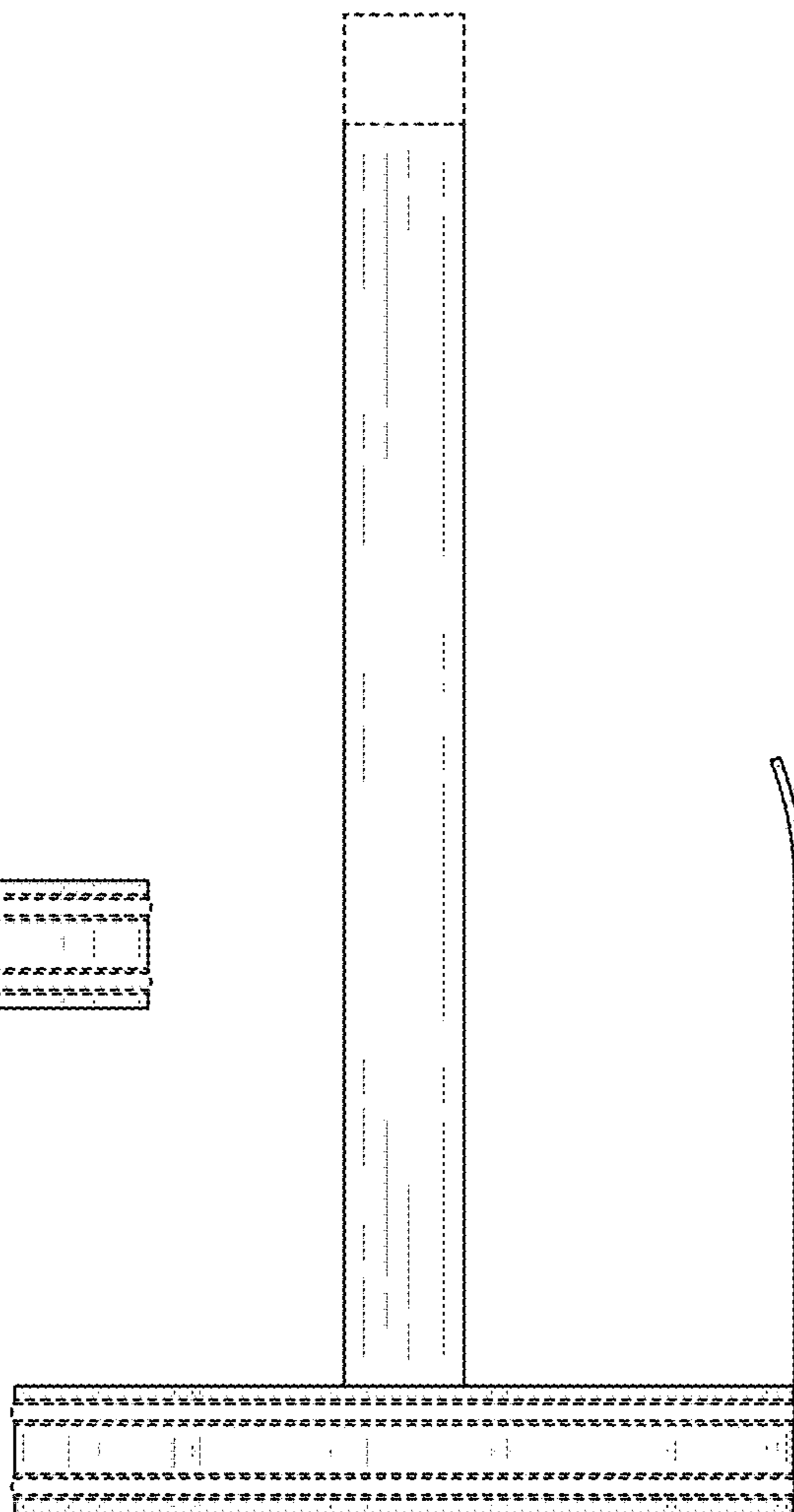


FIG. 3

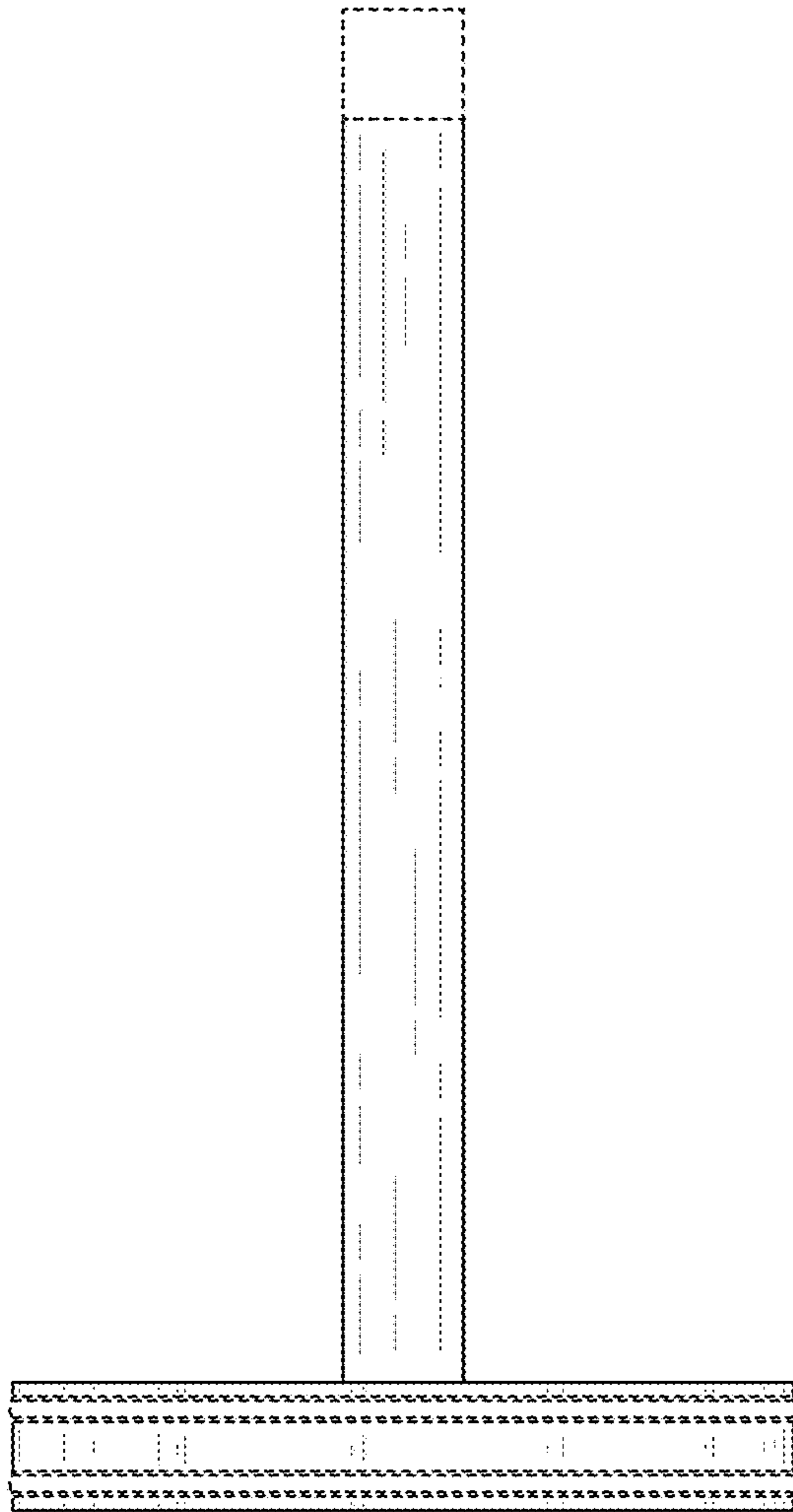


FIG. 4

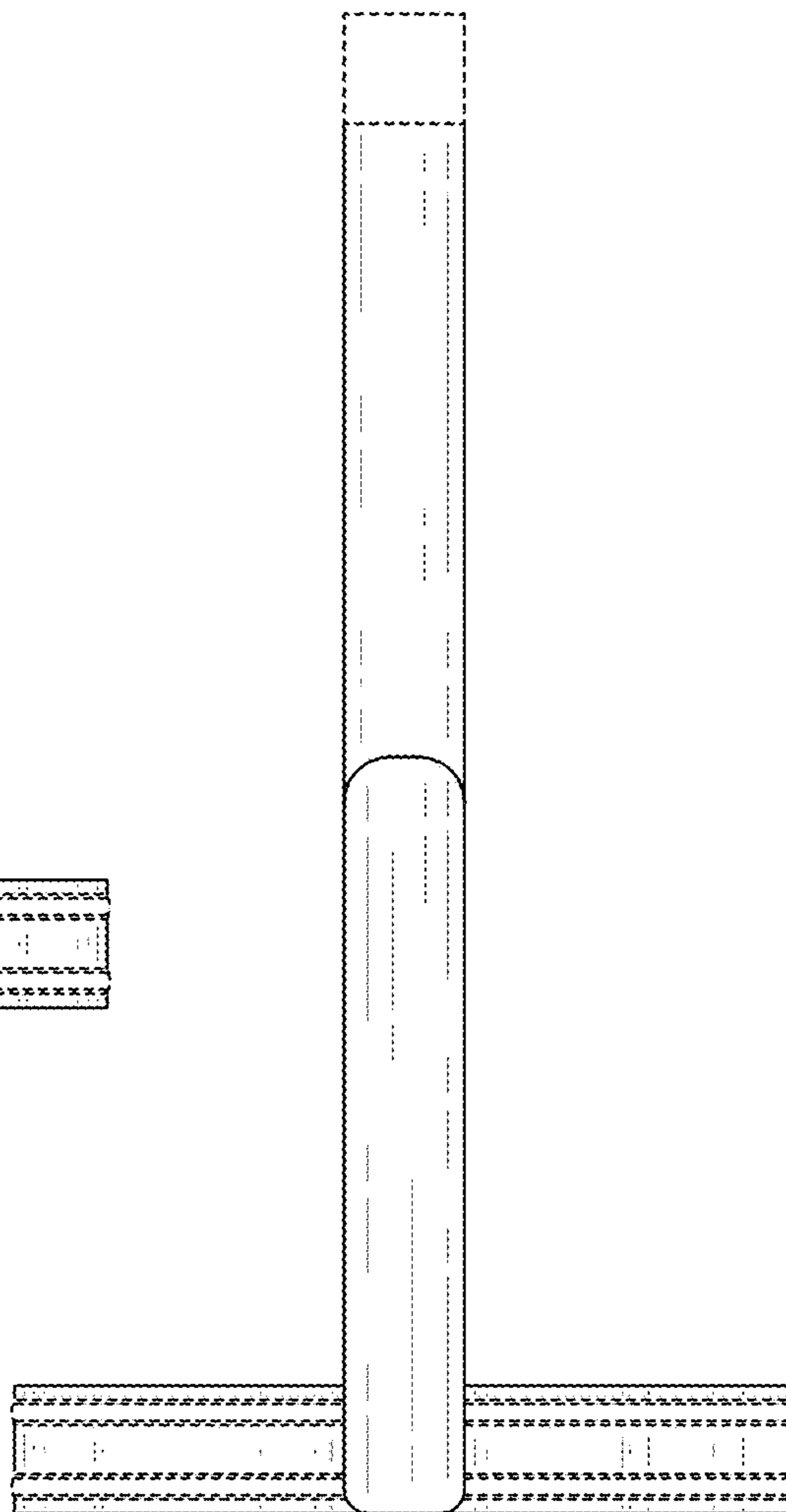


FIG. 5

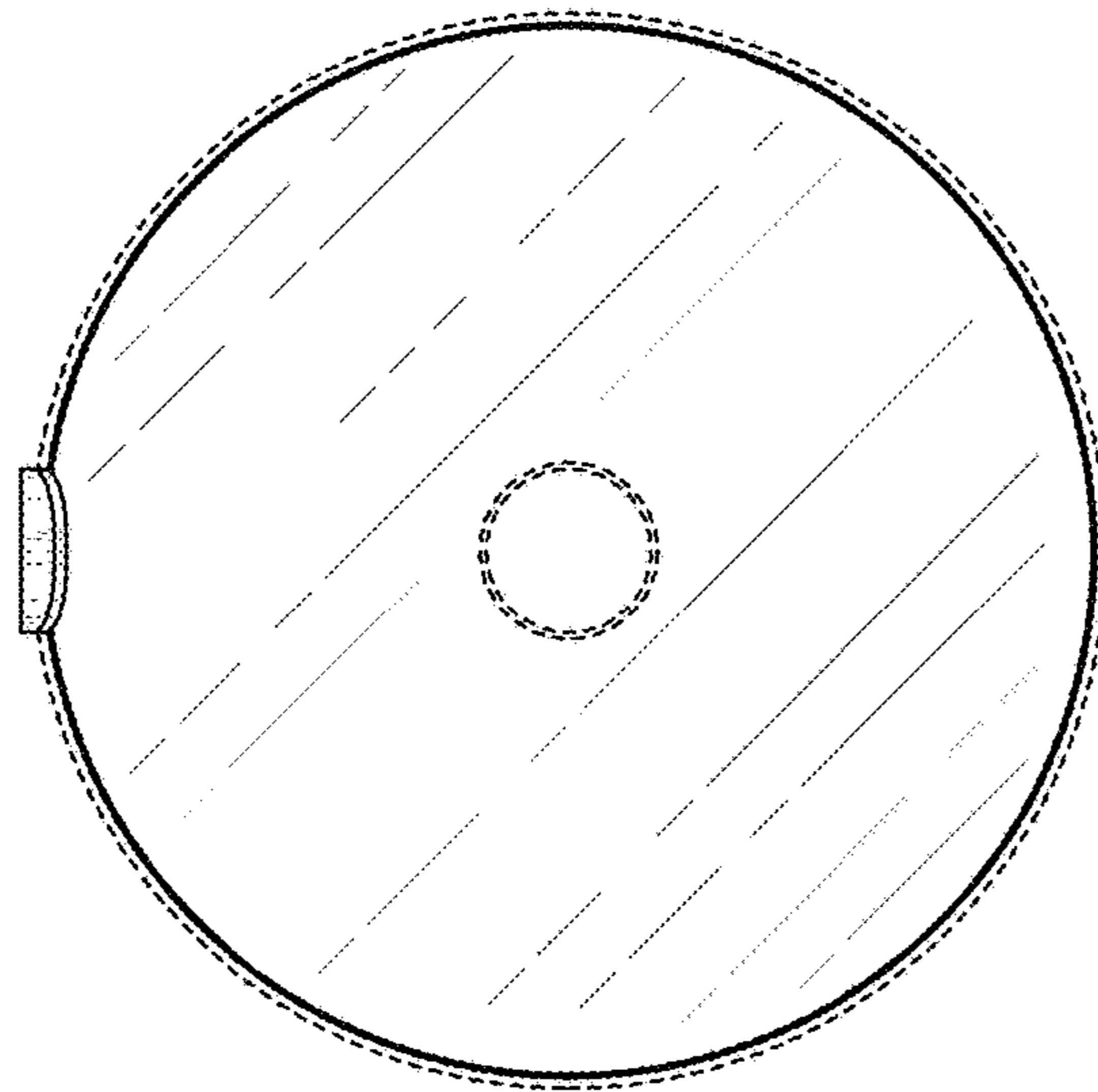


FIG. 6

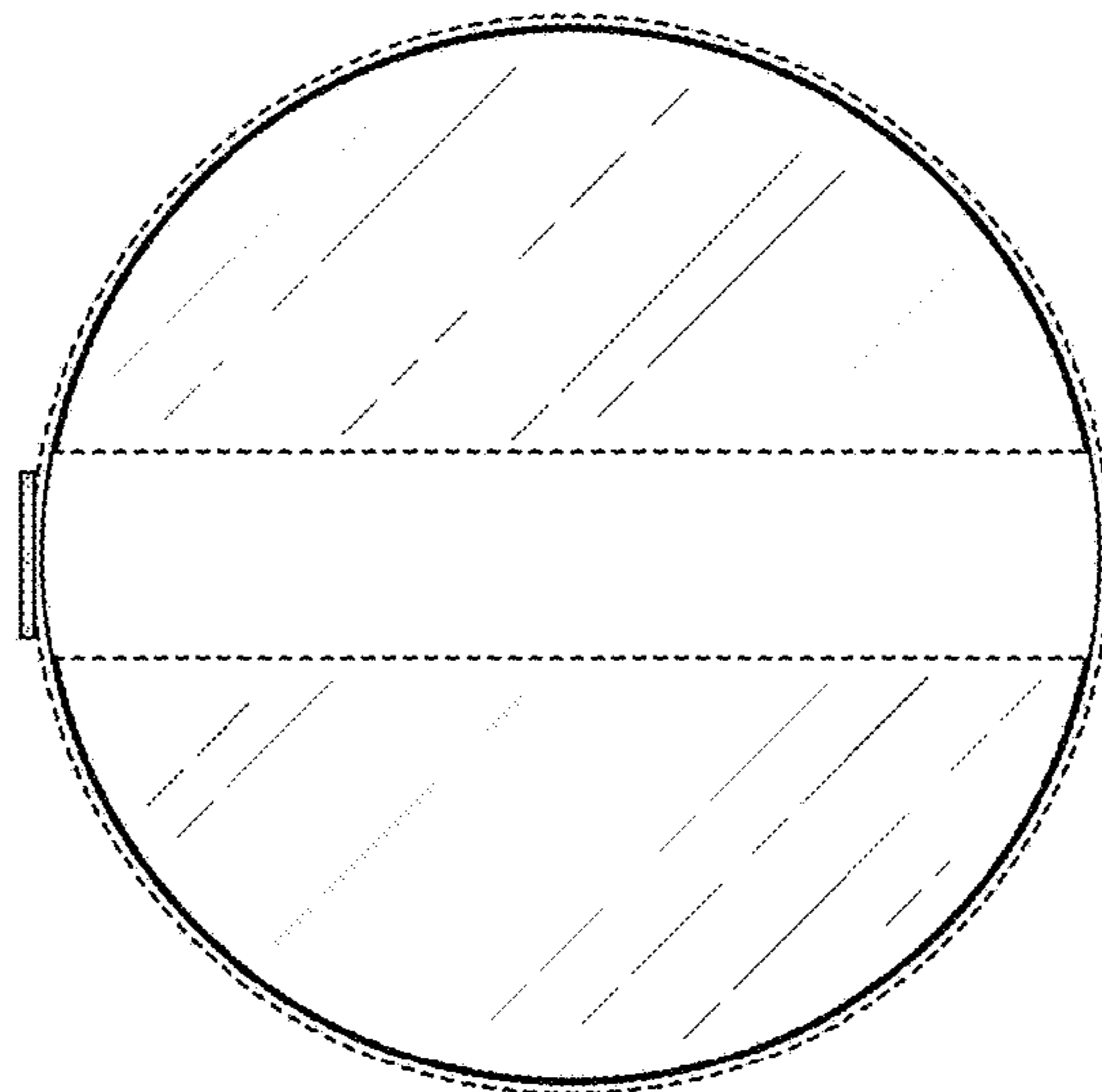


FIG. 7