



US00D878076S

(12) **United States Design Patent** (10) **Patent No.:** **US D878,076 S**
Xayoiphonh et al. (45) **Date of Patent:** **** Mar. 17, 2020**

(54) **PAPER TOWEL HOLDER**
(71) Applicant: **Spectrum Diversified Designs, LLC**,
Streetsboro, OH (US)
(72) Inventors: **Phaysouk Xayoiphonh**, Akron, OH
(US); **Aaron D. Goodman**,
Beachwood, OH (US)
(73) Assignee: **Spectrum Diversified Designs, LLC**,
Streetsboro, OH (US)
(**) Term: **15 Years**
(21) Appl. No.: **29/631,880**
(22) Filed: **Jan. 3, 2018**
(51) **LOC (12) Cl.** **20-02**
(52) **U.S. Cl.**
USPC **D6/521**
(58) **Field of Classification Search**
USPC D6/518-522; 211/13.1, 45, 59.1, 89.01;
248/309.1, 309.2; 206/389, 391;
242/590, 597.7
CPC A47K 10/04; A47K 10/10; A47K 10/3836;
A47K 2010/324; A47K 2010/389; B08B
1/006
See application file for complete search history.

D667,662 S * 9/2012 Goodman D6/521
D758,755 S * 6/2016 Goodman D6/521
D787,226 S * 5/2017 Goodman D6/521
D811,114 S * 2/2018 Goodman D6/521
D819,360 S * 6/2018 Goodman D6/521
D852,535 S * 7/2019 Goodman D6/521

OTHER PUBLICATIONS

Spectrum Diversified website, Cityscape Paper Towel Holder, Aug. 8, 2019, <https://www.spectrumdiversified.com/products/cityscape-paper-towel-holder> (Year: 2019).*

* cited by examiner

Primary Examiner — Nathan M Johnston
(74) *Attorney, Agent, or Firm* — Renner, Otto, Boisselle and Sklar, LLP

(57) **CLAIM**

The ornamental design for a paper towel holder, as shown and described.

DESCRIPTION

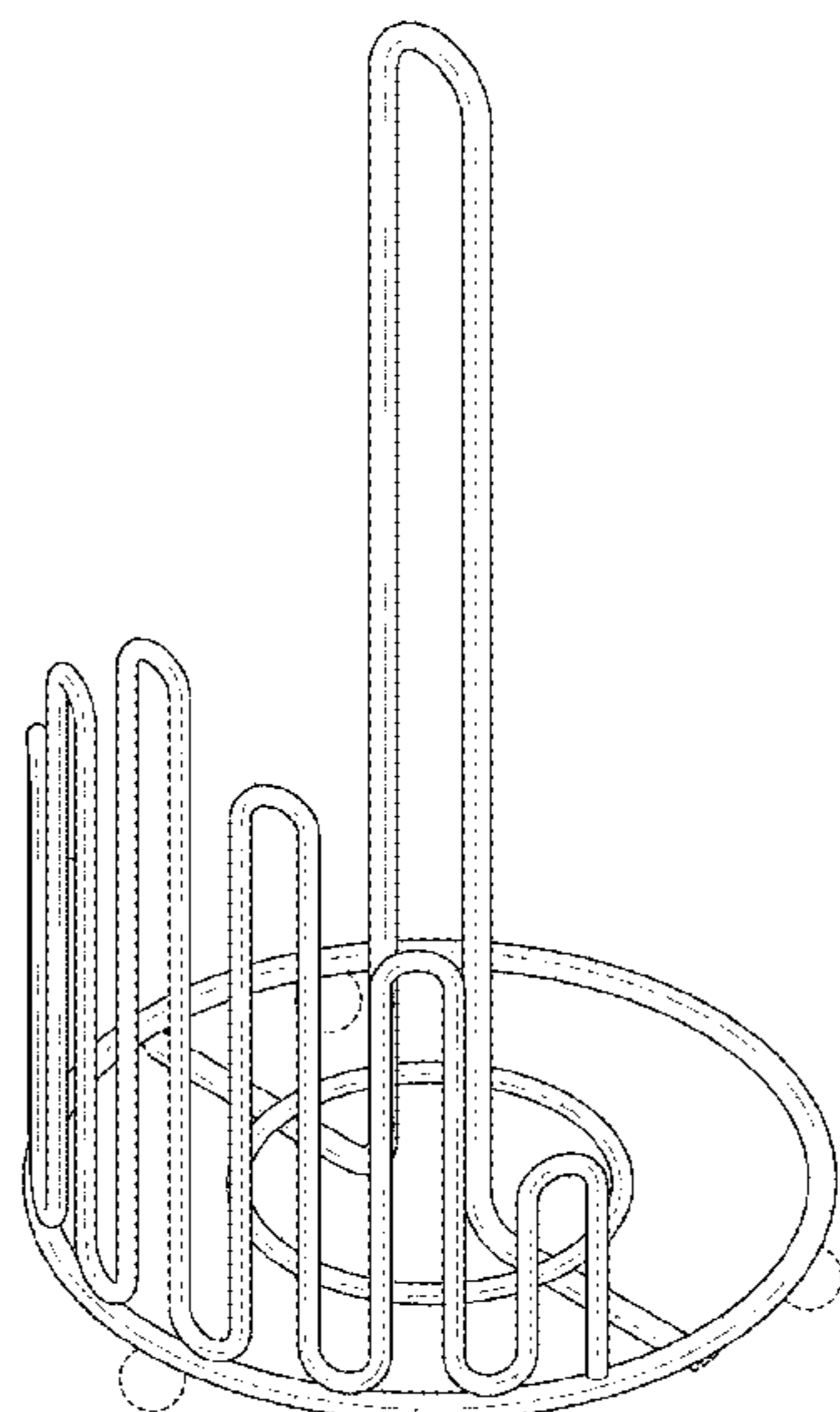
FIG. 1 is a top, right, front perspective view of a paper towel holder showing our new design;
FIG. 2 is a front elevation view thereof;
FIG. 3 is a rear elevation view thereof;
FIG. 4 is a right side elevation view thereof;
FIG. 5 is a left side elevation view thereof;
FIG. 6 is a top plan view thereof; and,
FIG. 7 is a bottom plan view thereof.
The broken line showing represents unclaimed portions of the article and forms no part of the claimed design.

1 Claim, 6 Drawing Sheets

(56) **References Cited**

U.S. PATENT DOCUMENTS

D390,054 S * 2/1998 Goodman D6/521
D472,412 S * 4/2003 Goodman D6/522
D474,361 S * 5/2003 Ancona D6/521
D474,633 S * 5/2003 Ancona D6/521
D474,634 S * 5/2003 Ancona D6/521
D582,709 S * 12/2008 Goodman D6/521
D628,836 S * 12/2010 Guindi D6/521



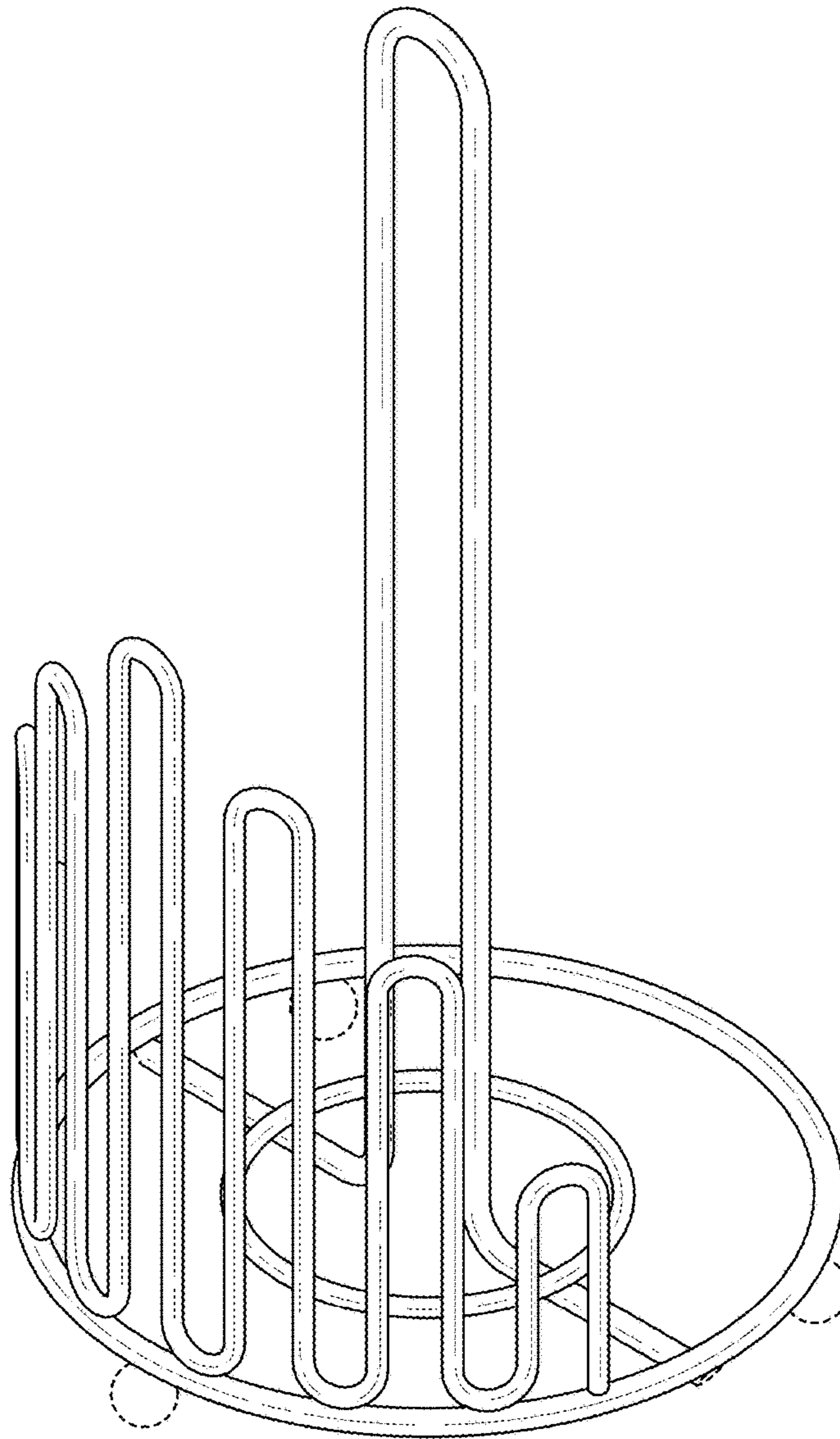


FIG. 1

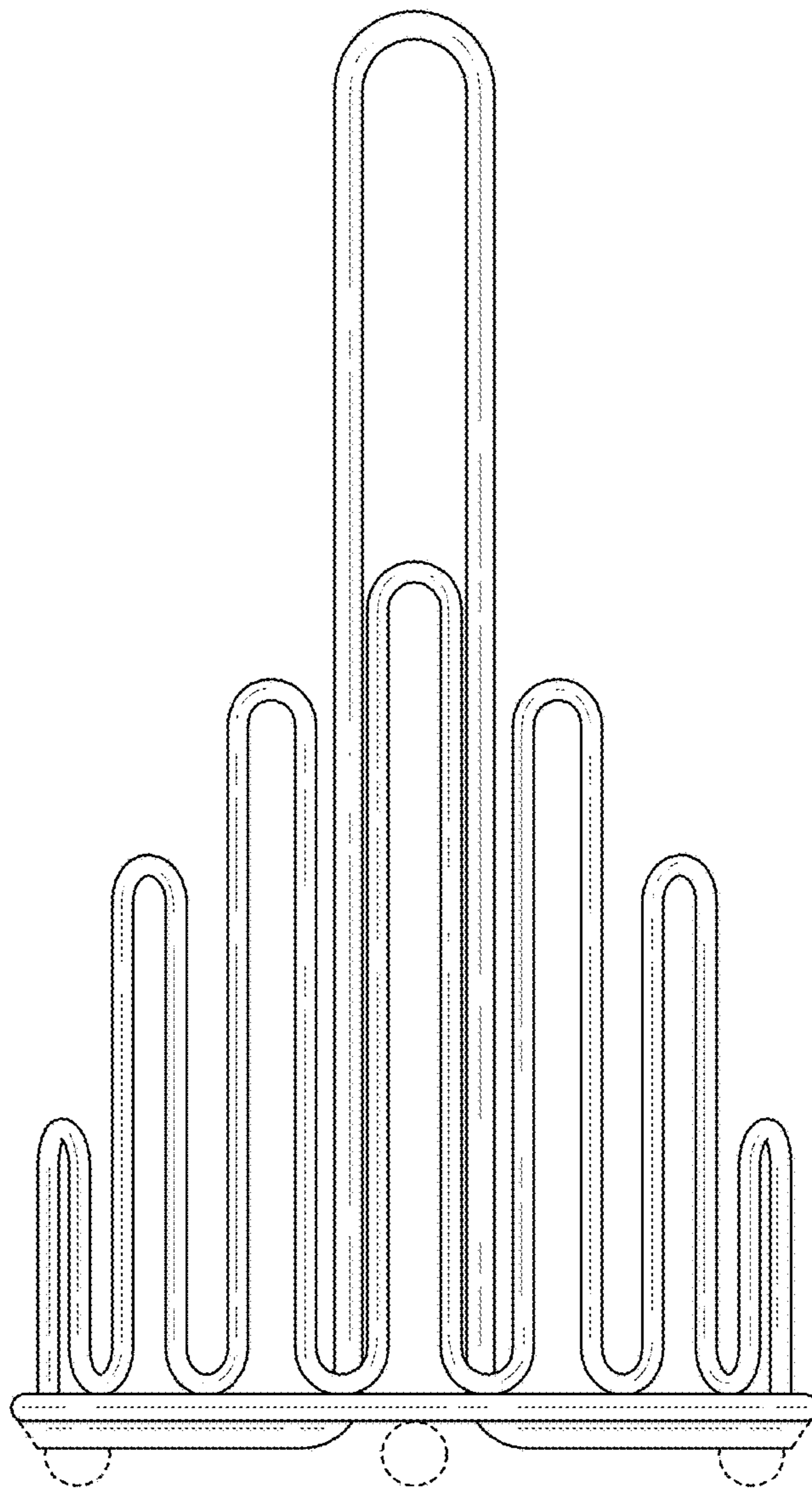


FIG. 2

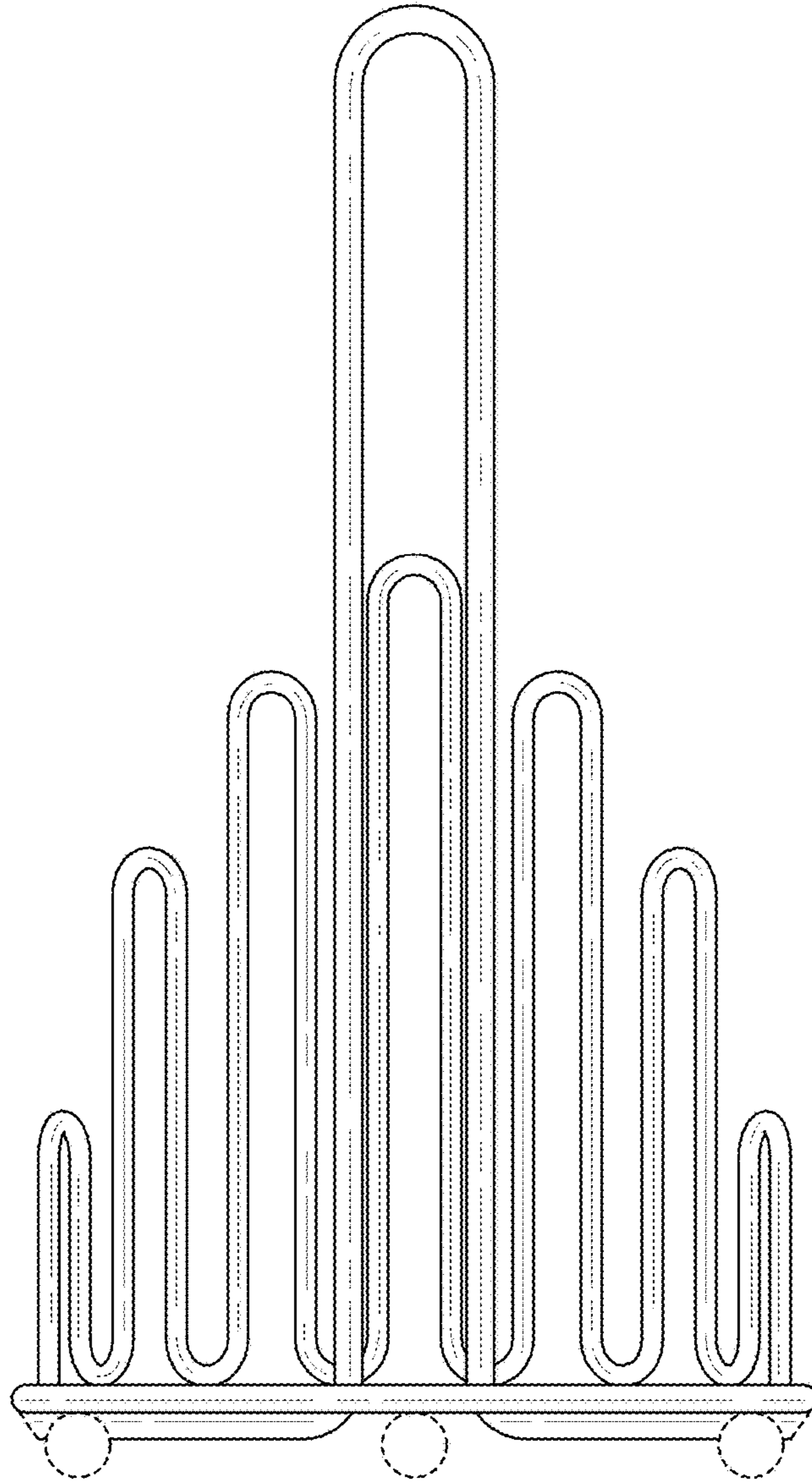


FIG. 3

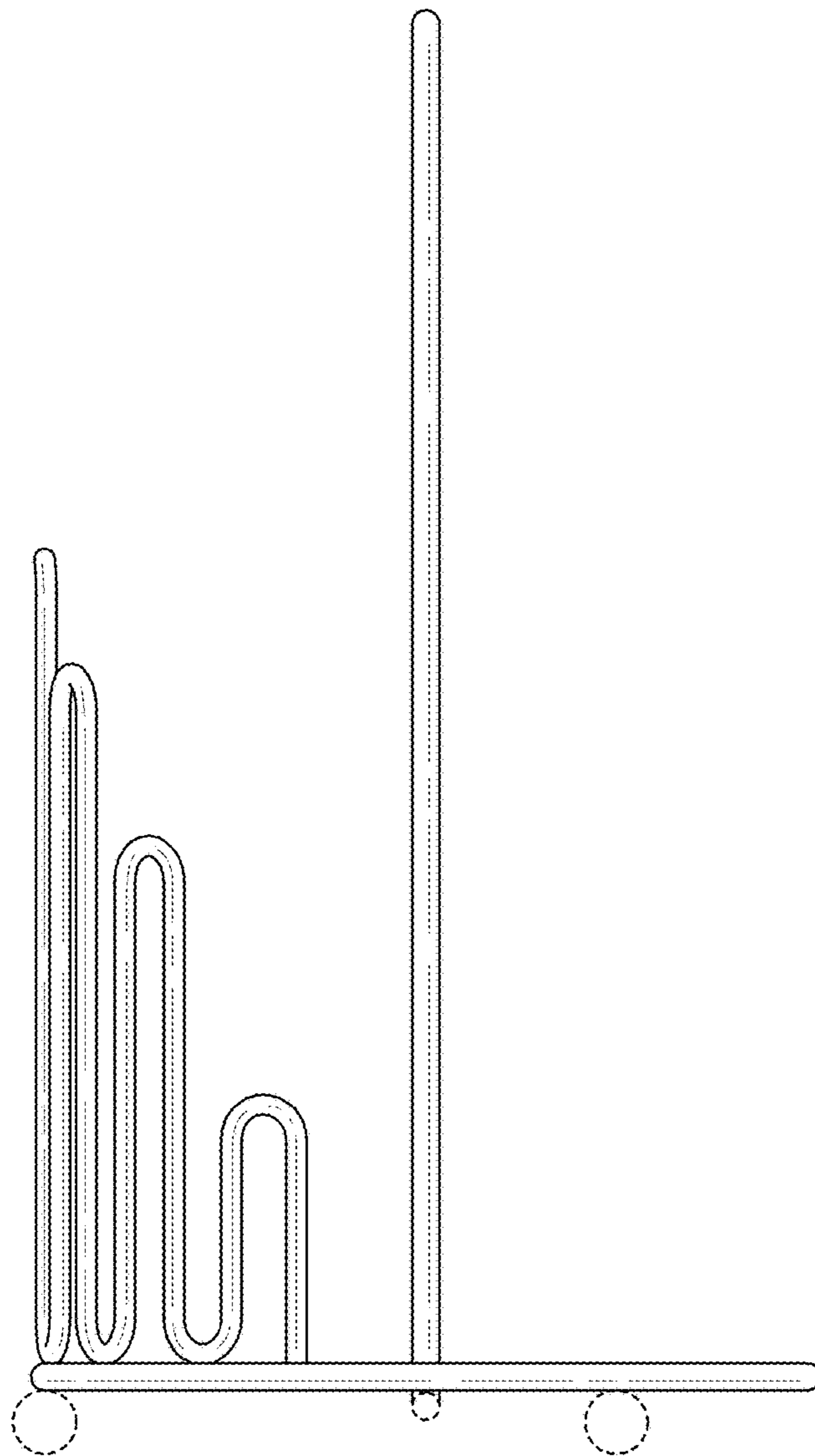


FIG. 4

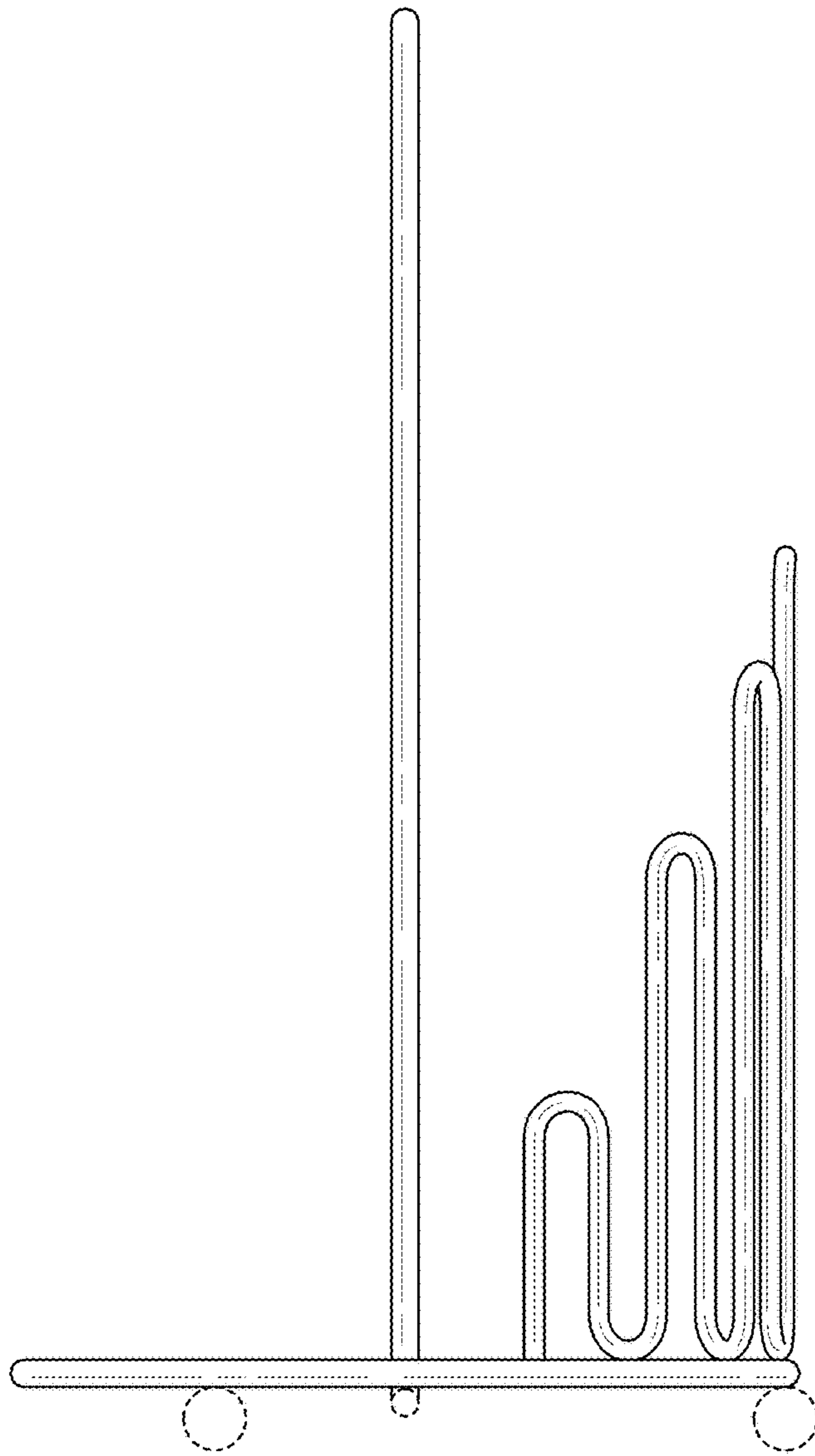


FIG. 5

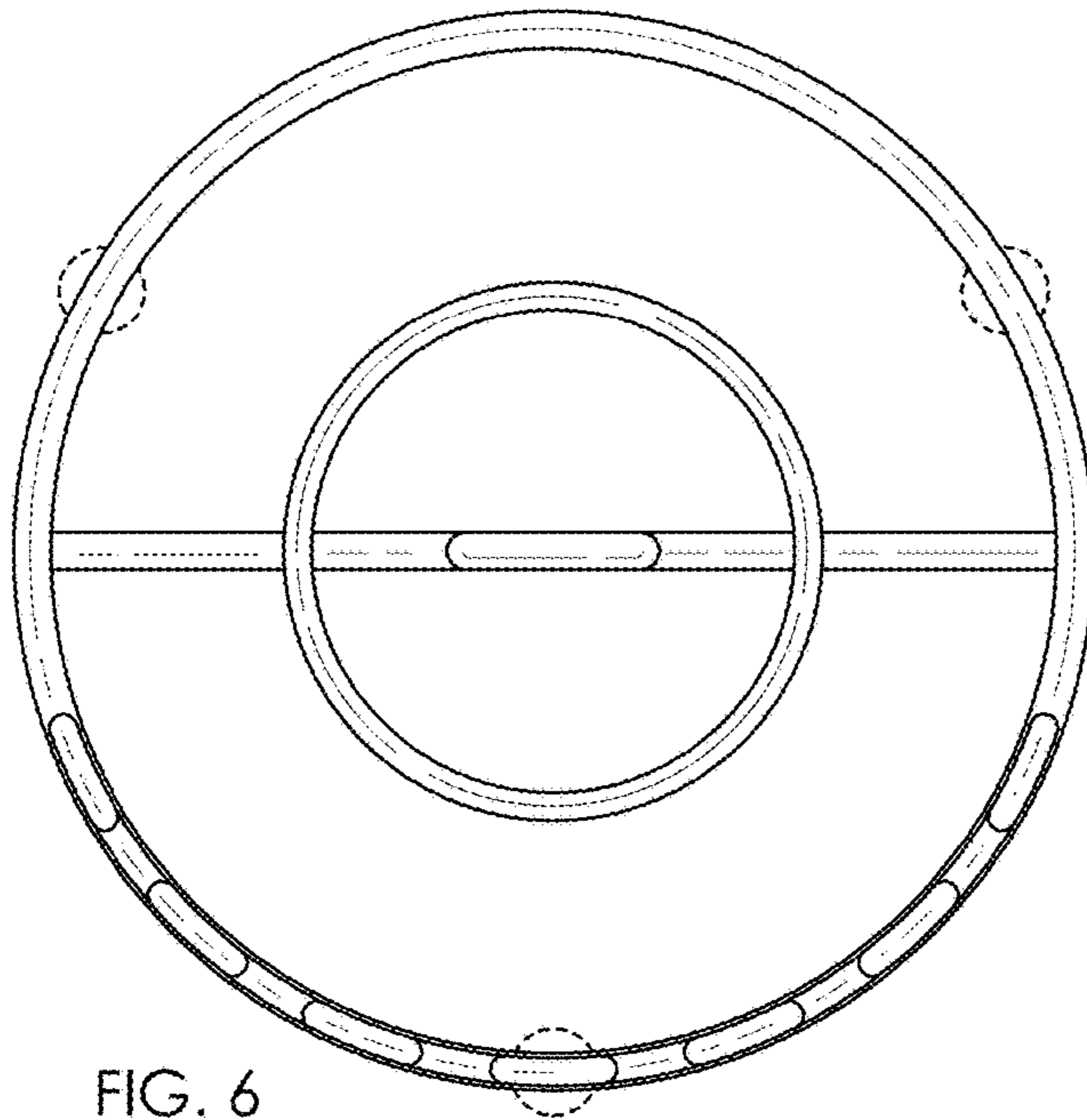


FIG. 6

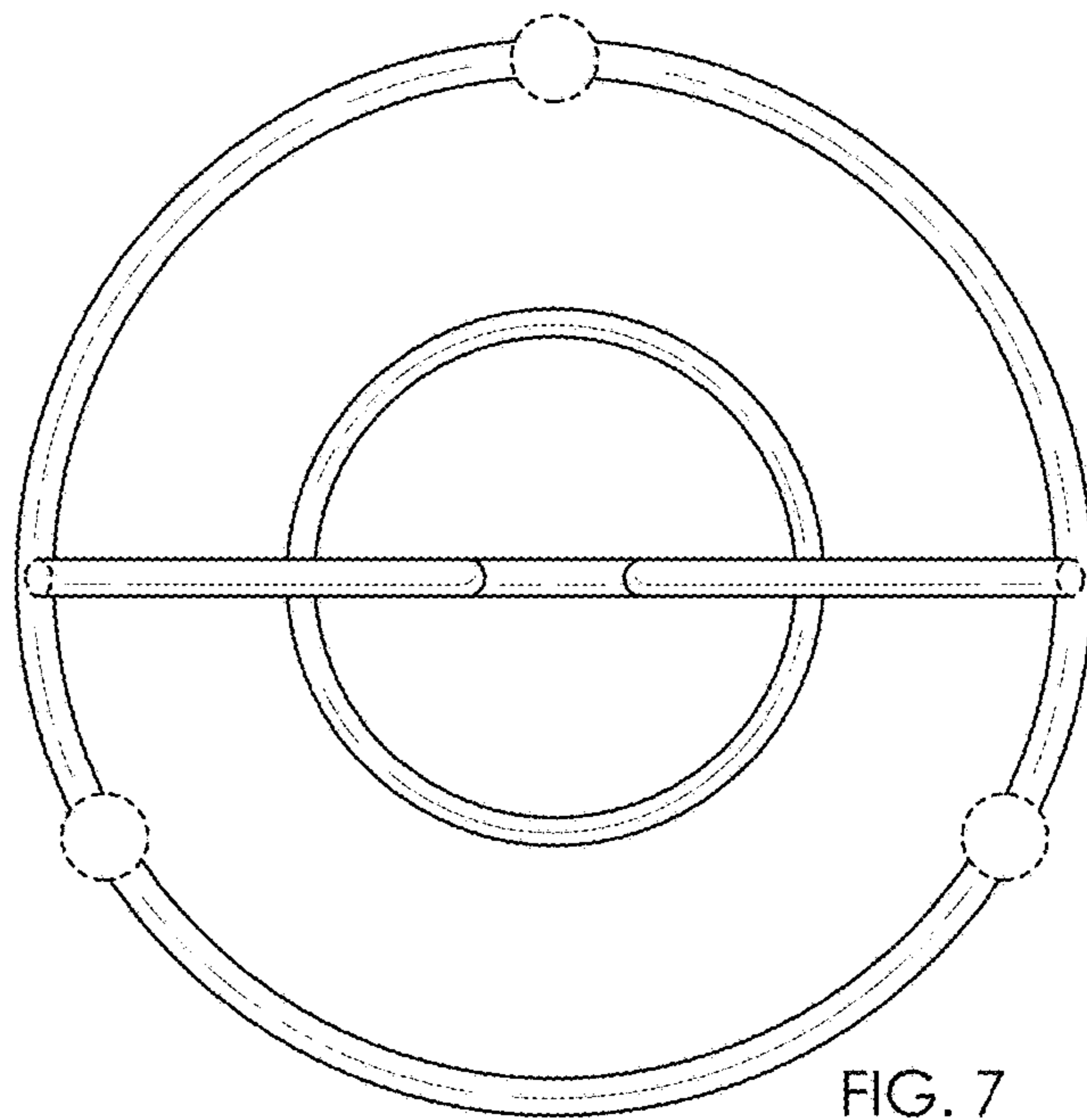


FIG. 7