



US00D878073S

(12) **United States Design Patent**  
**Sumlin**

(10) **Patent No.:** **US D878,073 S**  
(45) **Date of Patent:** **\*\* Mar. 17, 2020**

(54) **BED**

(71) Applicant: **Charles Neal Sumlin**, Fort Lauderdale,  
FL (US)

(72) Inventor: **Charles Neal Sumlin**, Fort Lauderdale,  
FL (US)

(73) Assignee: **AMINI INNOVATION**  
**CORPORATION**, Pico Rivera, CA  
(US)

(\*\*) Term: **15 Years**

(21) Appl. No.: **29/667,717**

(22) Filed: **Oct. 24, 2018**

(51) **LOC (12) Cl.** ..... **06-02**

(52) **U.S. Cl.**  
USPC ..... **D6/393; D6/718.23**

(58) **Field of Classification Search**  
USPC ..... D6/382-383, 393-395, 718, 718.13,  
D6/718.15, 718.2, 718.21, 718.22, 718.23  
CPC ..... A47C 19/00; A47C 19/021; A47C 19/022;  
A47C 31/006  
See application file for complete search history.

(56) **References Cited**

U.S. PATENT DOCUMENTS

D641,577 S *	7/2011	Wahl .....	D6/718.22
D655,938 S *	3/2012	Kozel .....	D6/393
D688,078 S *	8/2013	Schmitt .....	D6/718.22
D791,495 S *	7/2017	Everson .....	D6/393
D798,077 S *	9/2017	Schmitt .....	D6/393

\* cited by examiner

*Primary Examiner* — Cathron C Brooks

(74) *Attorney, Agent, or Firm* — Cislo & Thomas, LLP

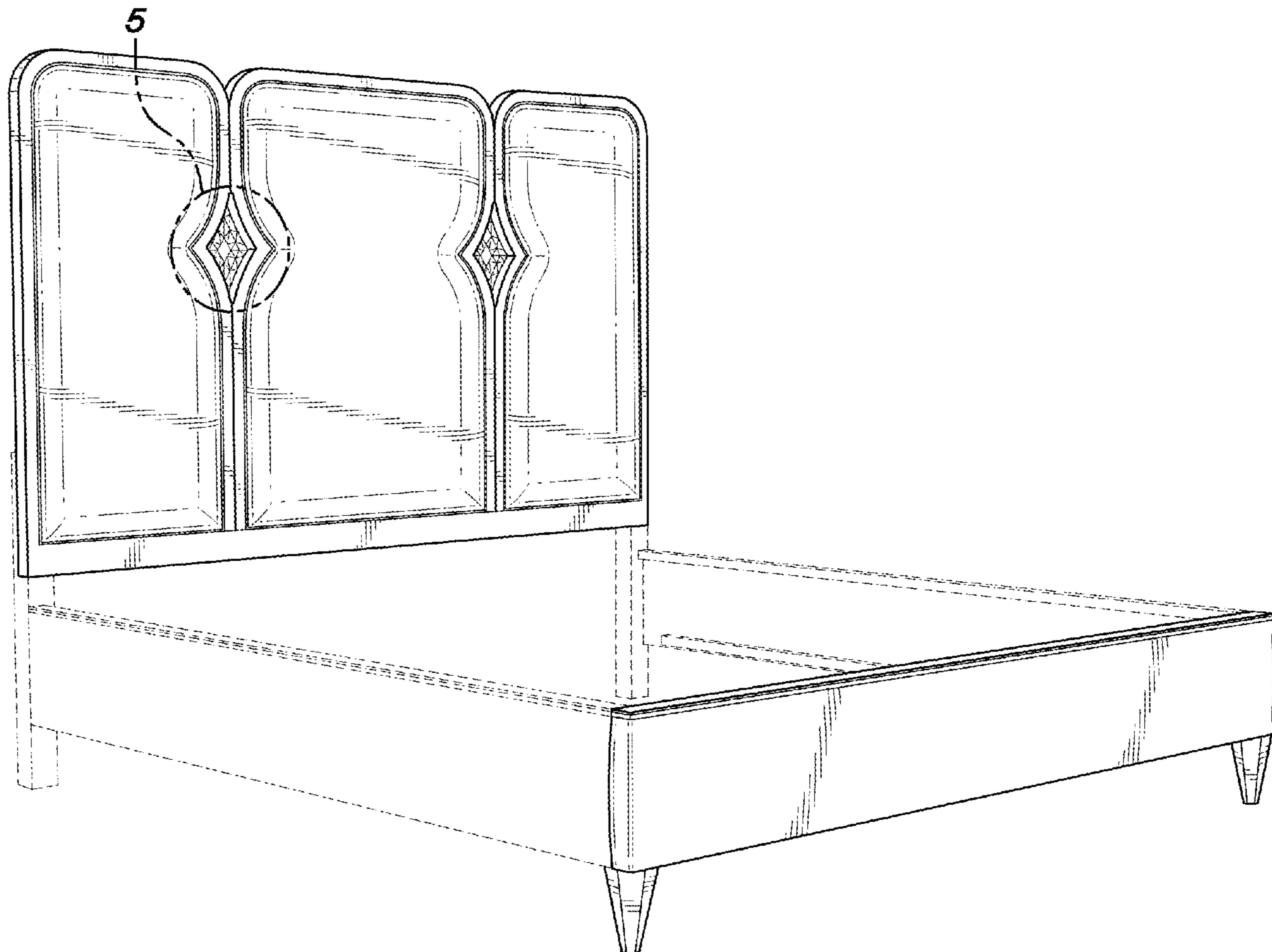
(57) **CLAIM**

The ornamental design for a bed, as shown and described.

**DESCRIPTION**

FIG. 1 is a front perspective view of my bed;  
FIG. 2 is a front view thereof;  
FIG. 3 is a right side view, the left side (not shown) is a  
mirror image thereof;  
FIG. 4 is a top view thereof; and,  
FIG. 5 is a close up view of the area designated as "5" in  
FIG. 1.  
The broken lines illustrate portions of the Bed that form no  
part of the claimed design.

**1 Claim, 5 Drawing Sheets**



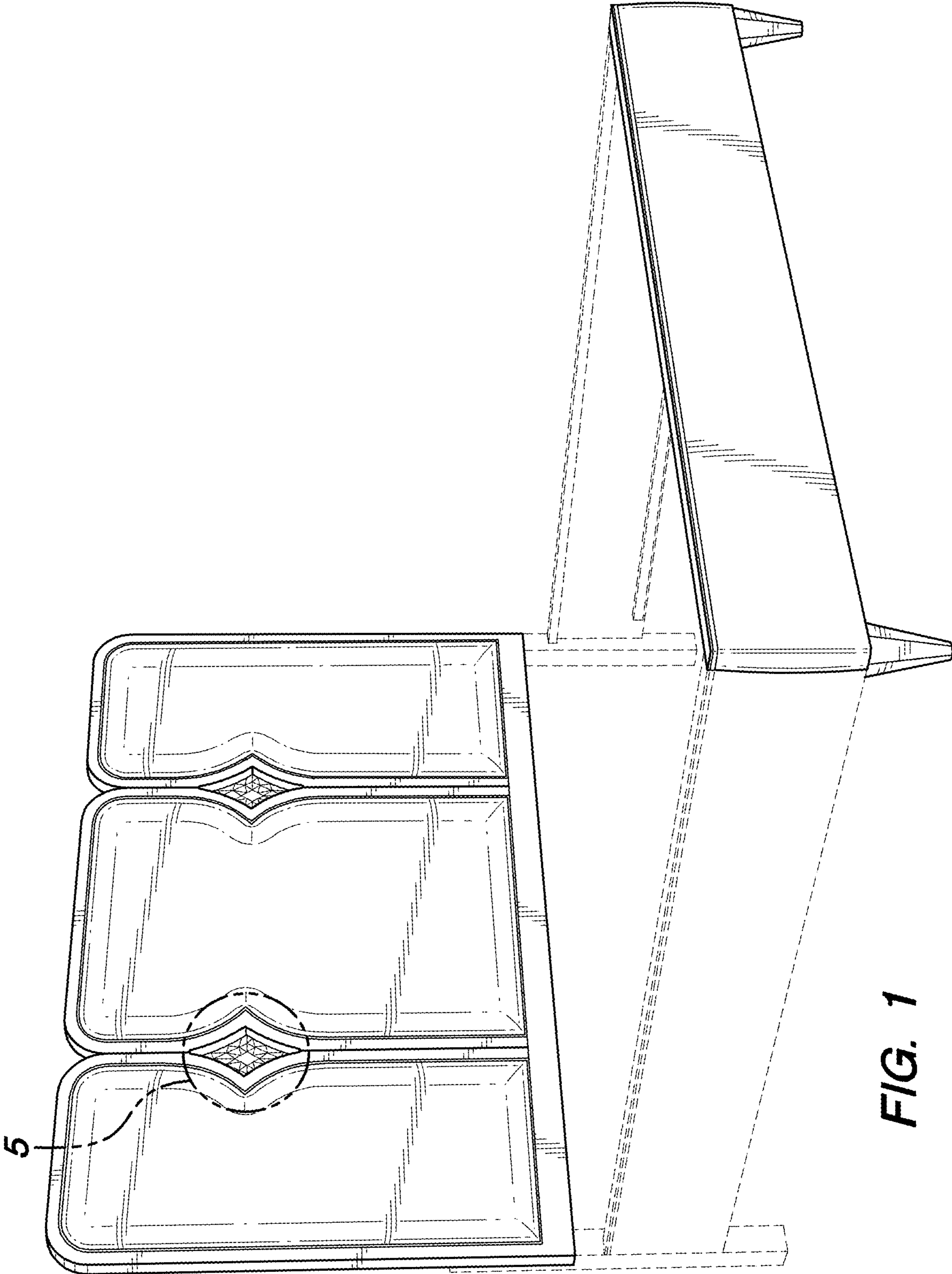
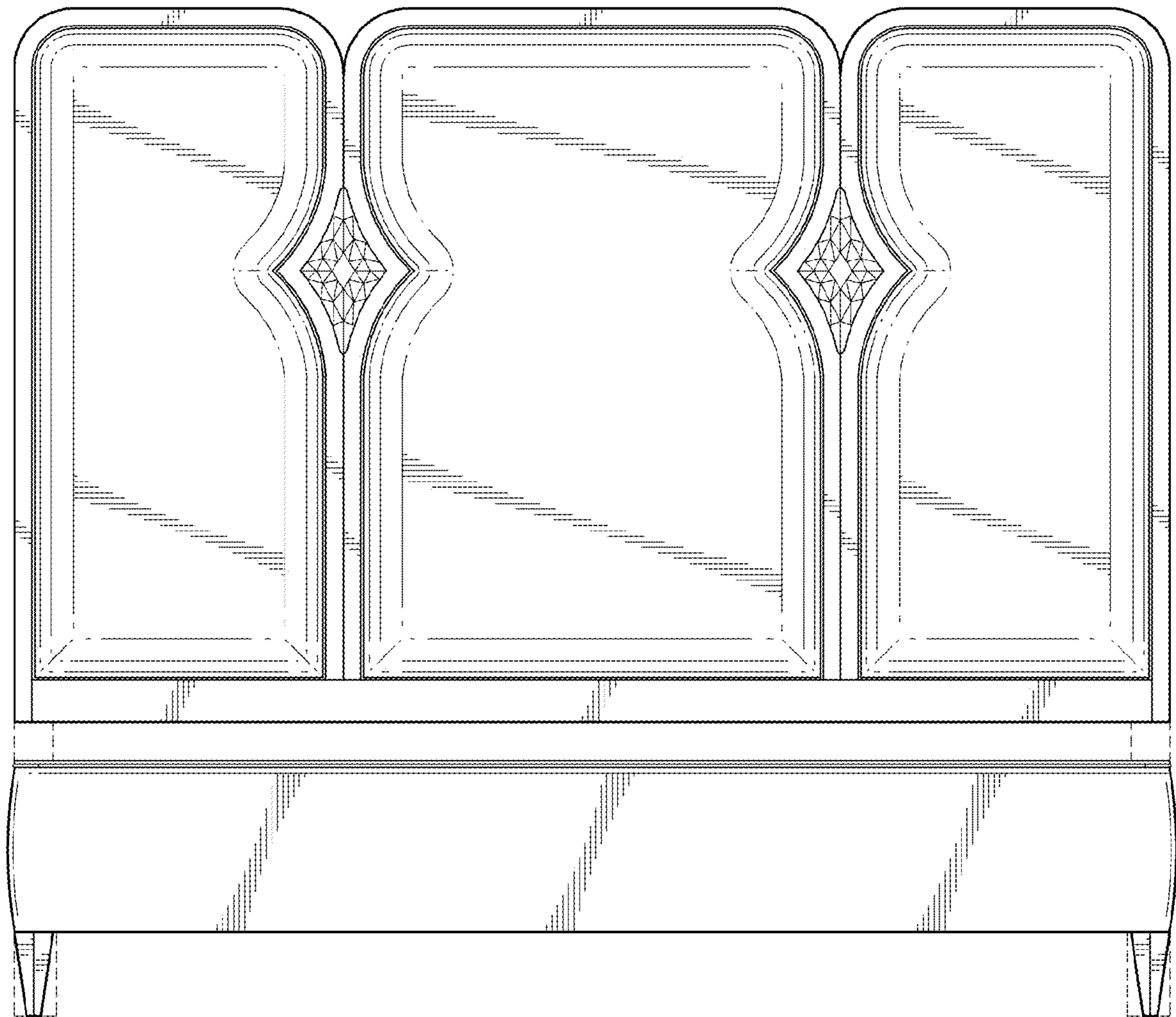


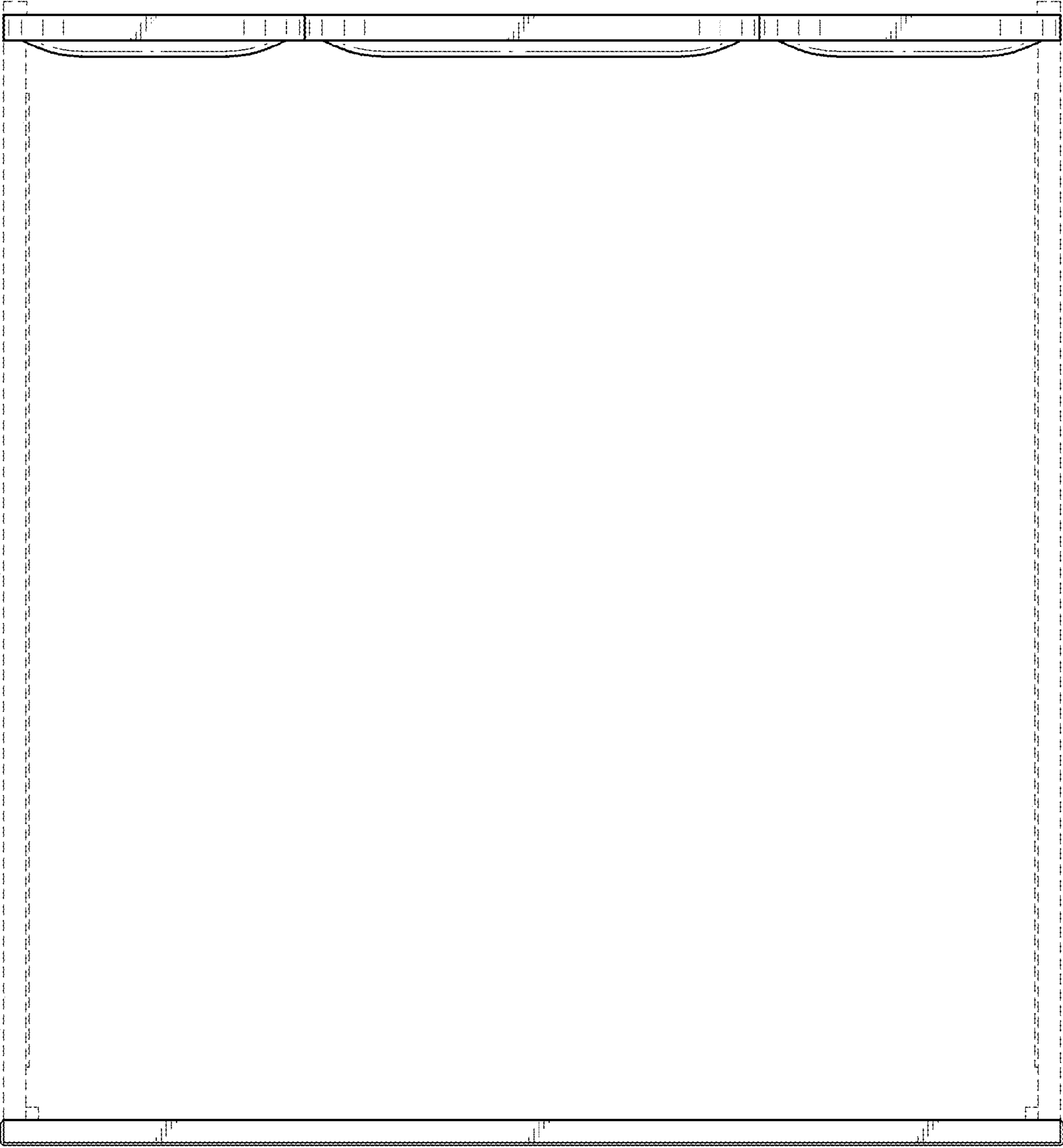
FIG. 1



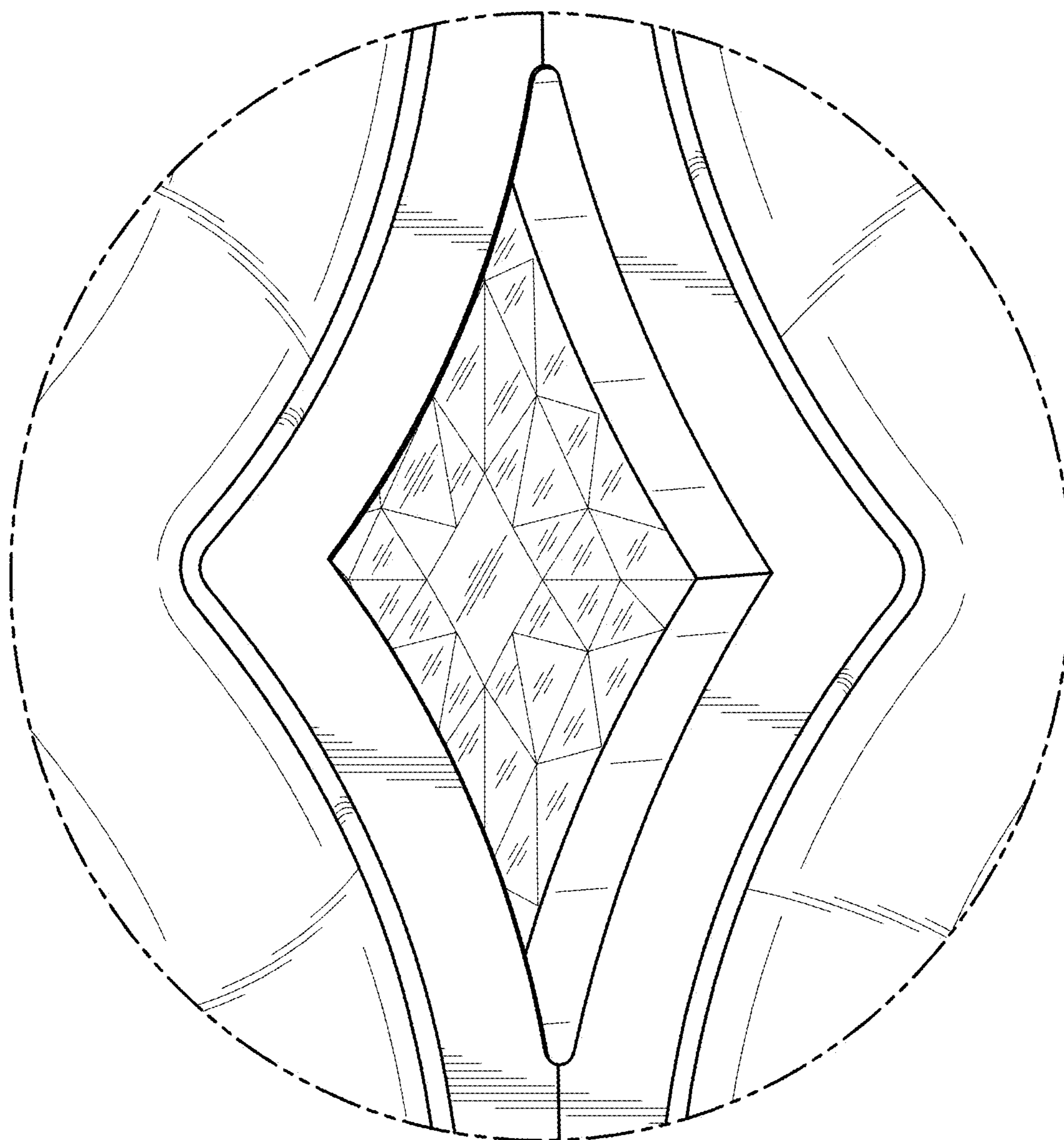
**FIG. 2**



**FIG. 3**



**FIG. 4**



**FIG. 5**