



US00D878070S

(12) **United States Design Patent**
Teal, Jr.

(10) **Patent No.:** **US D878,070 S**
(45) **Date of Patent:** **** Mar. 17, 2020**

(54) **PORTABLE SEAT**
(71) Applicant: **Steven W. Teal, Jr.**, Danville, NH (US)
(72) Inventor: **Steven W. Teal, Jr.**, Danville, NH (US)
(**) Term: **15 Years**
(21) Appl. No.: **29/643,827**
(22) Filed: **Apr. 12, 2018**

D270,474 S * 9/1983 Haines 182/187
4,601,364 A 7/1986 York
4,625,833 A 12/1986 Lewis
4,667,773 A * 5/1987 Davis A01M 31/02
108/152
4,691,804 A 9/1987 Bunker
4,705,143 A 11/1987 Ziemba
4,730,700 A 3/1988 Miller et al.
D306,487 S * 3/1990 Fowler, Jr. D25/62
D306,488 S * 3/1990 Mosburg D25/62
(Continued)

(51) **LOC (12) Cl.** **06-01**
(52) **U.S. Cl.**
USPC **D6/362**
(58) **Field of Classification Search**
USPC D6/362; D14/132, 250; D23/304;
D25/62
See application file for complete search history.

OTHER PUBLICATIONS

Robin, Mike. "My Torges Seat" Dec. 1, 2008, piratesofarchery.net, site visited Dec. 12, 2019 <<http://piratesofarchery.net/bb/viewtopic.php?p=57900>> (Year: 2008).*

(Continued)

Primary Examiner — Kevin K Rudzinski
Assistant Examiner — Paul D Bohannon
(74) *Attorney, Agent, or Firm* — Hamilton, Brook, Smith & Reynolds, P.C.

(56) **References Cited**

U.S. PATENT DOCUMENTS

882,850 A 3/1908 Troell
2,512,174 A 6/1950 Roeder
2,711,783 A * 6/1955 Prill A01M 31/02
108/115
3,030,160 A * 4/1962 Tandy A01M 31/02
108/135
3,115,213 A * 12/1963 Cloutier A45F 3/26
182/187
3,340,828 A * 9/1967 Smith A01M 31/02
108/135
3,419,108 A * 12/1968 Mobbs A01M 31/02
182/129
3,513,940 A 5/1970 Ussery
3,719,252 A 3/1973 Tiley
3,749,200 A 7/1973 Meyer
3,885,649 A 5/1975 Damron
3,927,733 A 12/1975 Wurn
D241,748 S * 10/1976 Bakken D25/62
4,315,655 A 2/1982 Machnik

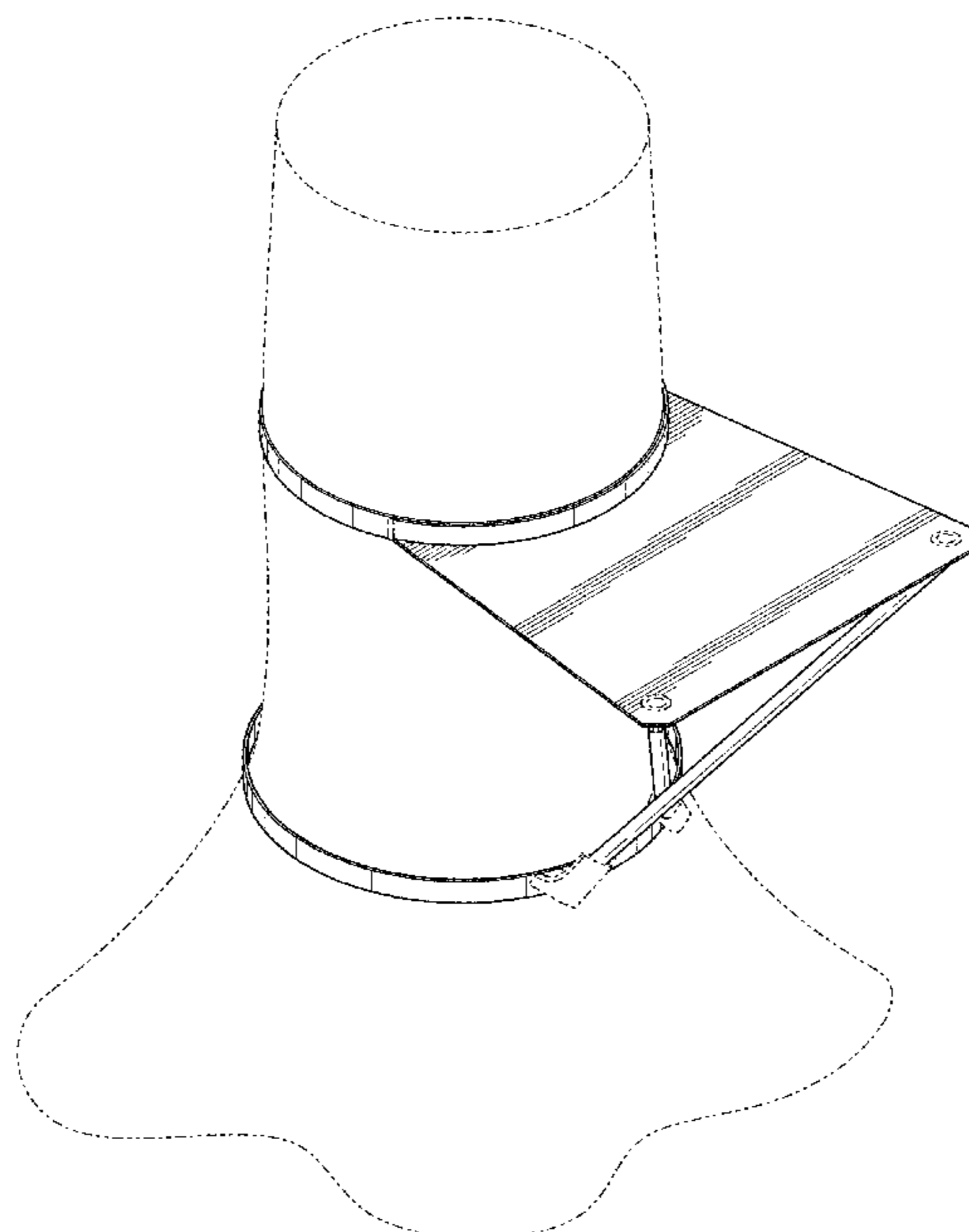
(57) **CLAIM**

The ornamental design for a portable seat, as shown and described.

DESCRIPTION

FIG. 1 is a front perspective view of the portable seat in the present invention.
FIG. 2 is top view thereof.
FIG. 3 is a left side view thereof.
FIG. 4 is a front view thereof.
FIG. 5 is a right side view thereof.
FIG. 6 is a rear view thereof; and,
FIG. 7 is a bottom view thereof.

1 Claim, 7 Drawing Sheets



(56)

References Cited

U.S. PATENT DOCUMENTS

4,924,972 A 5/1990 Westbrook
 4,936,416 A * 6/1990 Garon A01M 31/02
 108/152
 5,078,232 A 1/1992 Hancosky
 5,156,096 A * 10/1992 Lamprey A47B 96/027
 108/108
 5,205,375 A 4/1993 Shriver
 D342,779 S * 12/1993 Root D23/304
 5,518,083 A * 5/1996 Blennert A01M 31/02
 182/188
 5,584,358 A * 12/1996 Stone A01M 31/02
 182/135
 5,732,793 A * 3/1998 Dech A01M 31/02
 182/187
 5,848,666 A 12/1998 Woodall et al.
 6,264,000 B1 * 7/2001 Johnson A01M 31/02
 182/136
 6,328,131 B1 12/2001 Backus
 7,258,401 B2 8/2007 Smith
 7,441,279 B1 * 10/2008 Lewis A47G 9/066
 2/1

8,015,929 B2 * 9/2011 Tyner A47B 23/025
 108/134
 D667,394 S * 9/2012 Bau D14/132
 D676,253 S * 2/2013 Springs D6/362
 8,757,724 B2 6/2014 Woodhams
 8,833,521 B1 * 9/2014 Jude A01M 31/02
 182/12
 D729,537 S * 5/2015 Ferm D6/362
 9,277,807 B2 * 3/2016 Tichenor A47B 5/02
 9,743,774 B1 8/2017 Hauser
 9,788,656 B2 * 10/2017 Sanza Pilas A47C 4/52
 D807,869 S * 1/2018 Petersen D14/250
 9,924,697 B1 * 3/2018 Koskey, Jr. E06B 7/28
 2009/0321186 A1 * 12/2009 Louchart A01M 31/02
 182/188
 2018/0295973 A1 10/2018 Teal, Jr.

OTHER PUBLICATIONS

Dead Ringer Hunting, "Hammock Seat," available at: <https://web.archive.org/web/20161023180005/http://deadringerhunting.com/product/hammock>, Internet Archive Wayback Machine Capture dated Oct. 23, 2016.

* cited by examiner

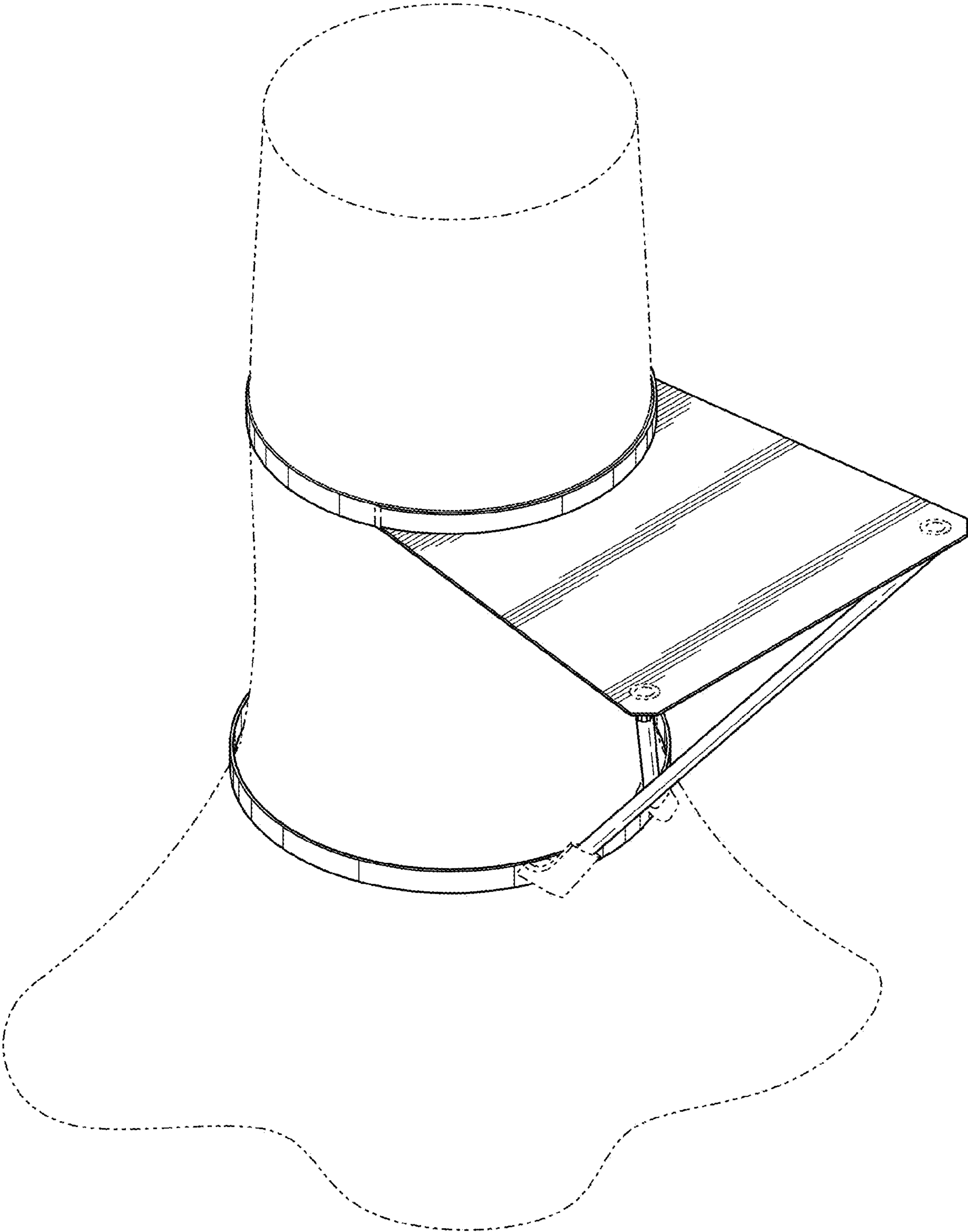


FIG. 1

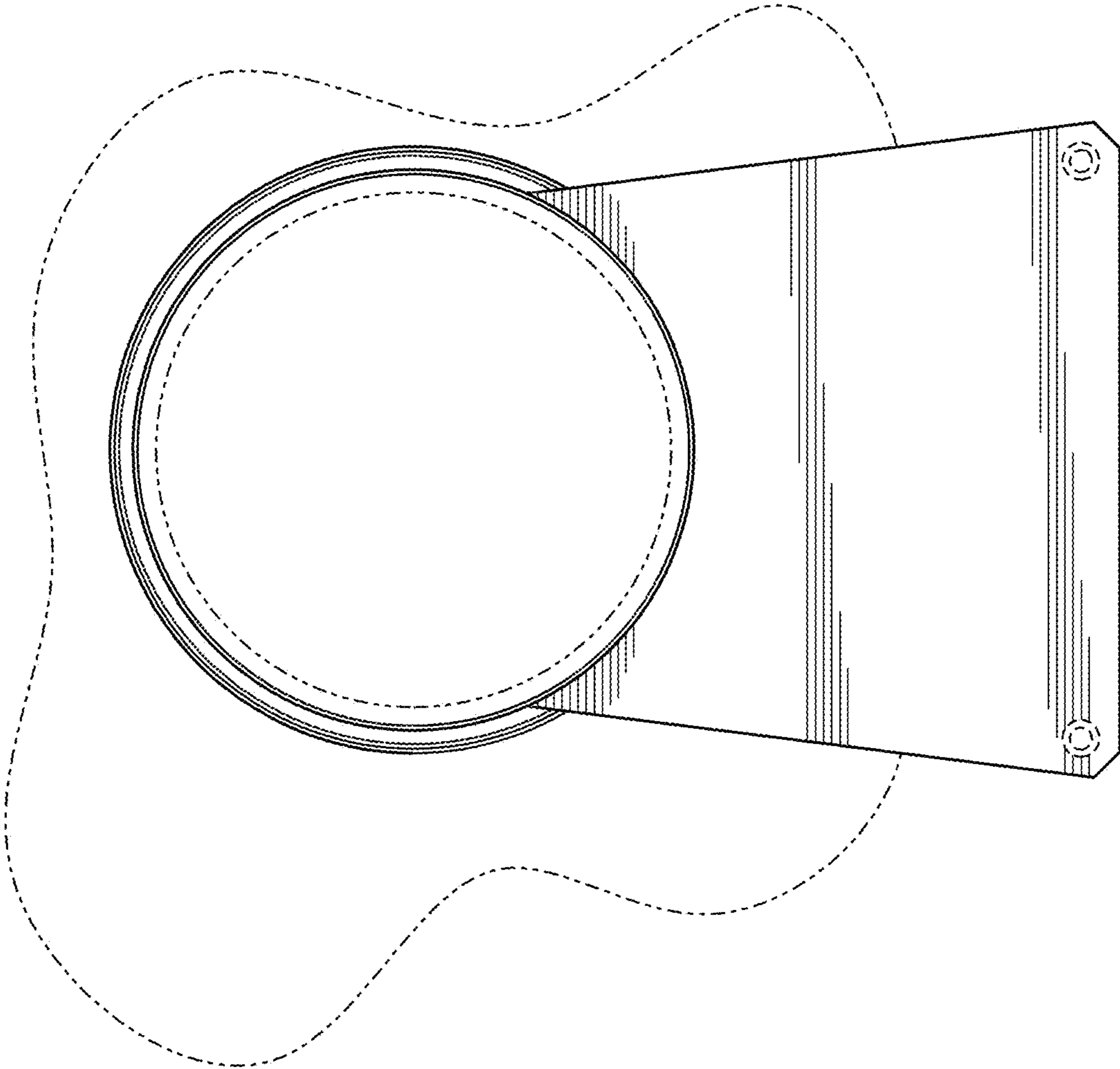


FIG. 2

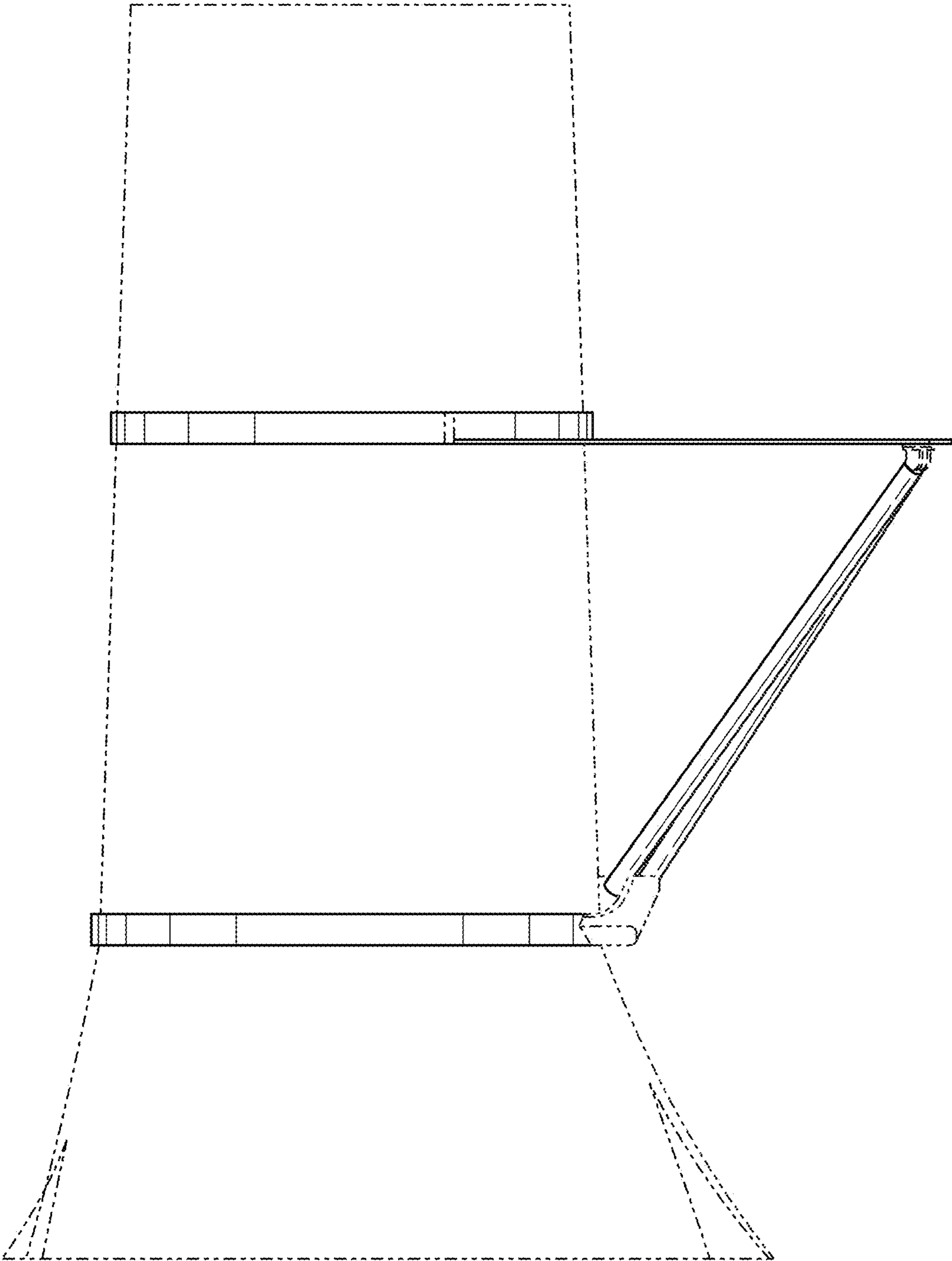


FIG. 3

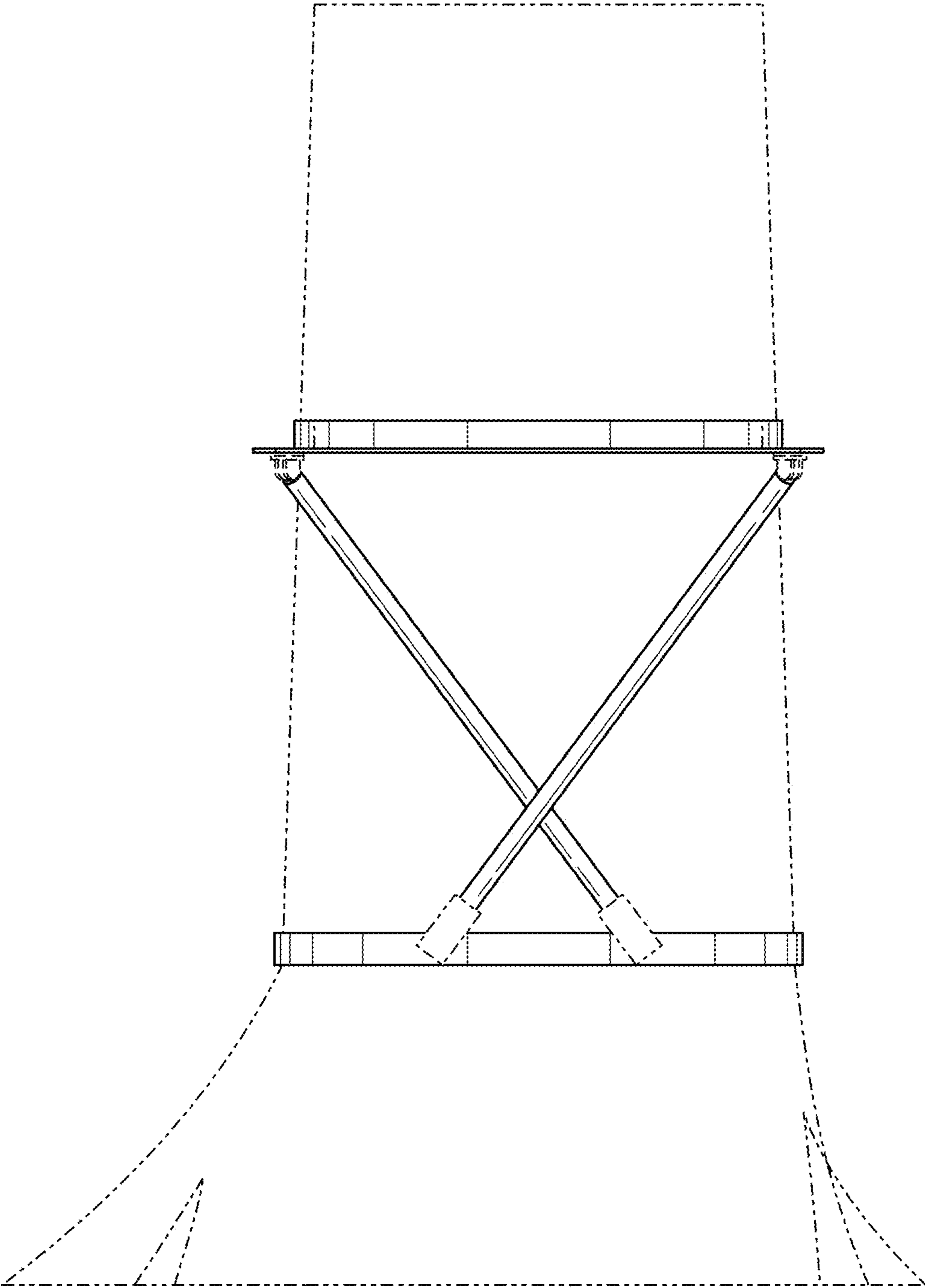


FIG. 4

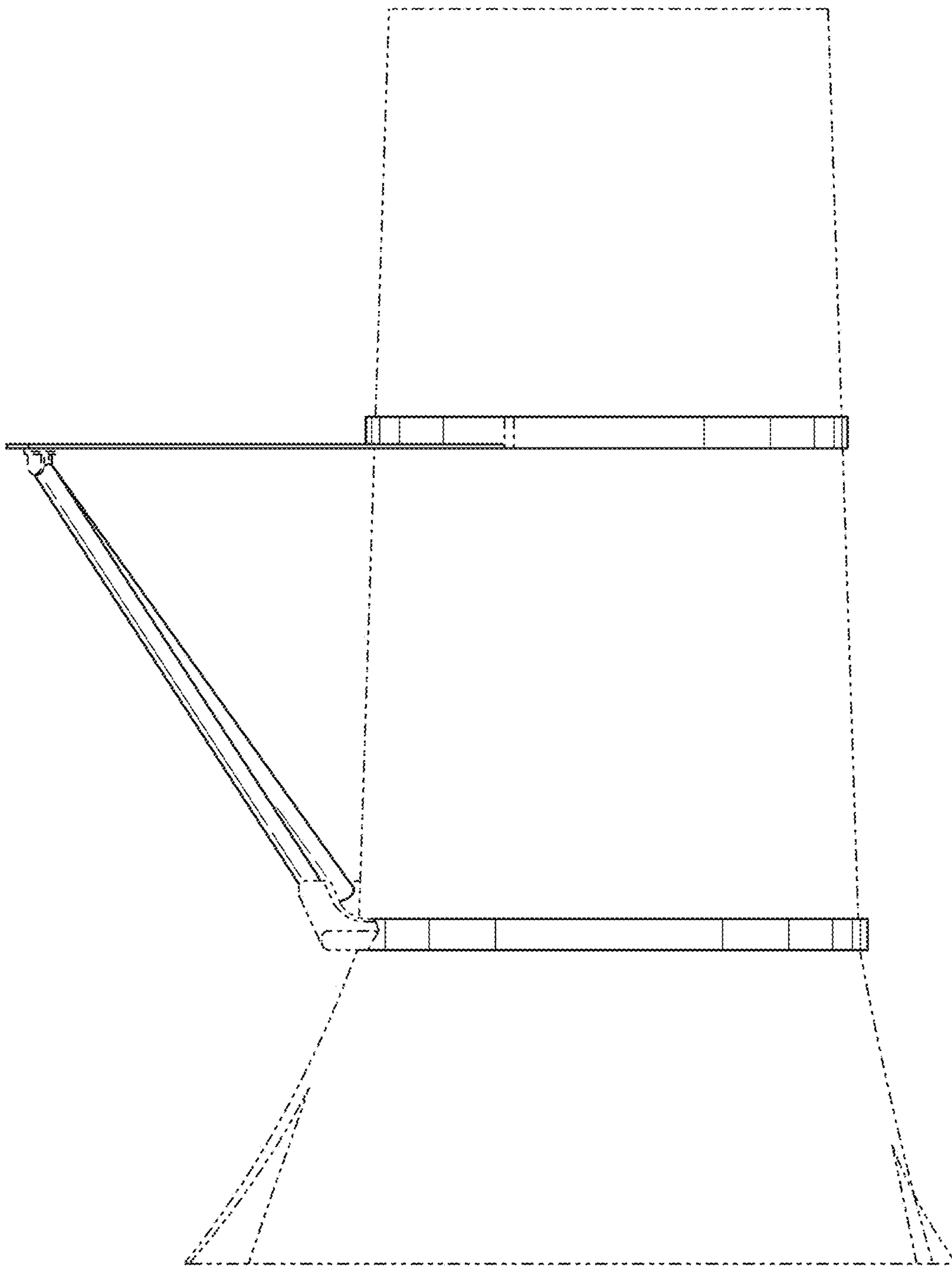


FIG. 5

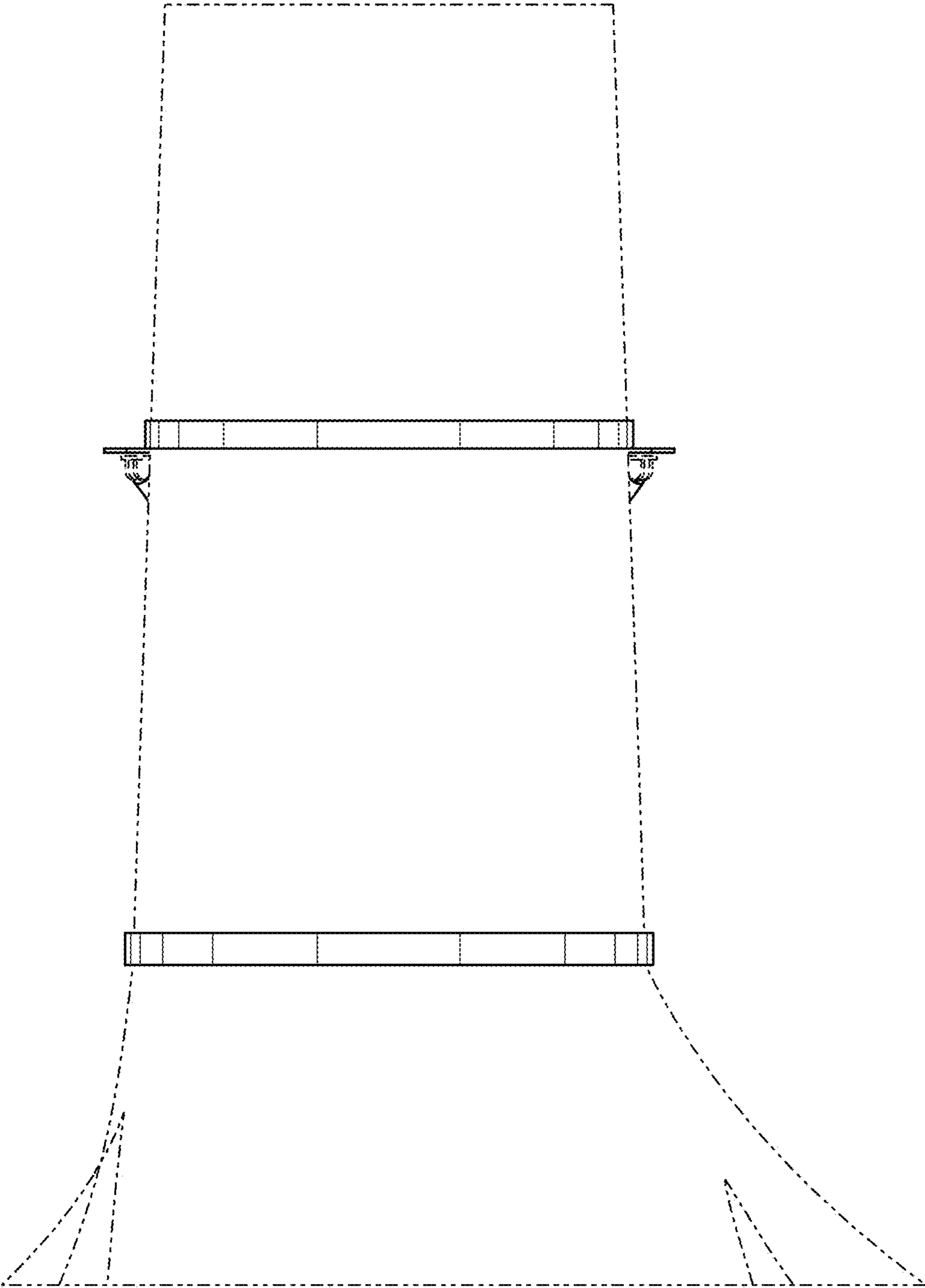


FIG. 6

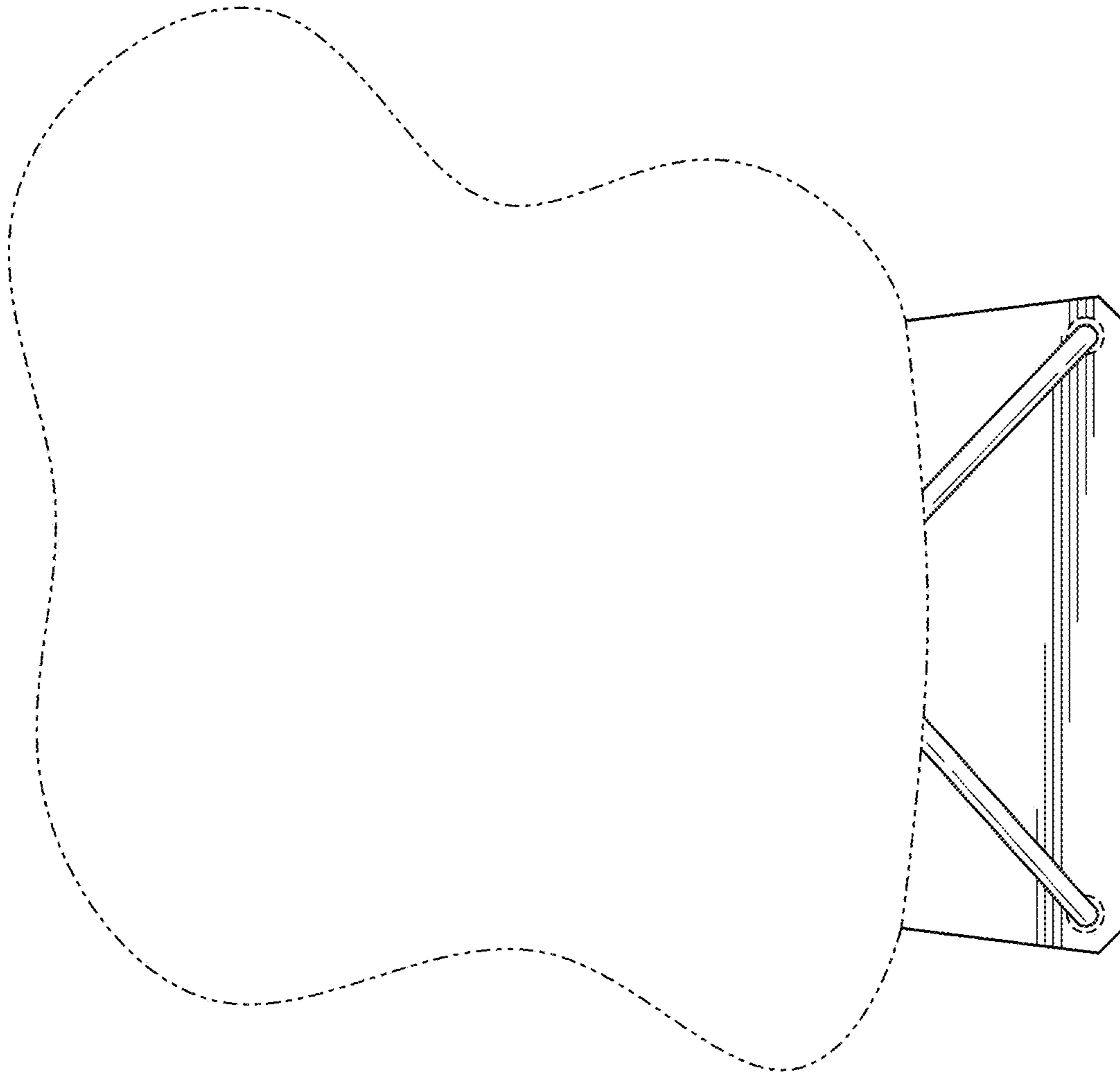


FIG. 7