



US00D878069S

(12) **United States Design Patent** (10) **Patent No.:** **US D878,069 S**
Palm (45) **Date of Patent:** **** Mar. 17, 2020**

(54) **VEHICLE SEAT**
(71) Applicant: **Volvo Car Corporation**, Gothenburg (SE)
(72) Inventor: **Niklas Palm**, Gothenburg (SE)
(73) Assignee: **POLESTAR PERFORMANCE AB**, Gothenburg (SE)

9,616,779 B2 * 4/2017 Barzen B60N 2/2222
9,758,075 B2 * 9/2017 Andersson B60N 3/102
D799,224 S * 10/2017 Callum D6/356
10,093,210 B2 * 10/2018 Izawa B60N 2/68
10,131,258 B2 * 11/2018 Akai B60N 2/682
D837,550 S * 1/2019 Buffery D6/356
D839,014 S * 1/2019 Ray D6/356
D839,015 S * 1/2019 Bekas D6/356
D841,348 S * 2/2019 Hodder D6/356
10,202,056 B2 * 2/2019 Zimmerman, II ... B60N 2/2209

* cited by examiner

(**) Term: **15 Years**
(21) Appl. No.: **29/640,075**
(22) Filed: **Mar. 12, 2018**

Primary Examiner — Michael C Stout
Assistant Examiner — Paul D Bohannon
(74) *Attorney, Agent, or Firm* — Snyder, Clark, Lesch & Chung, LLP

(30) **Foreign Application Priority Data**

Sep. 12, 2017 (EM) 004298016-0001

(51) **LOC (12) Cl.** **06-01**
(52) **U.S. Cl.**
USPC **D6/356**

(58) **Field of Classification Search**
USPC D6/356, 360, 364, 365; D21/521, 533, D21/548
CPC A61H 2201/0149; B60N 2/06; B60N 2/20; B60N 2/22; B60N 2/58; B60N 2/68; B60N 2/80; B60N 2/643; B60N 2/888; B60N 2/859; B60N 2/1615; B60N 2/7035; B60N 2/42745; B60N 2002/0272; B60N 2205/35

See application file for complete search history.

(56) **References Cited**

U.S. PATENT DOCUMENTS

7,959,233 B2 * 6/2011 Sweers B60N 2/015 297/452.18
D723,824 S * 3/2015 Persson D6/356
D774,319 S * 12/2016 Ingenlath D6/356

(57) **CLAIM**

The ornamental design of a vehicle seat, as shown and described.

DESCRIPTION

FIG. 1 is a front view of a vehicle seat illustrating the design of the present invention;
FIG. 2 is a front perspective view of the vehicle seat of FIG. 1;
FIG. 3 is a right-side view of the vehicle seat of FIG. 1;
FIG. 4 is a rear view of the vehicle seat of FIG. 1;
FIG. 5 is a rear perspective view of the vehicle seat of FIG. 1;
FIG. 6 is a left-side view of the vehicle seat of FIG. 1; and, FIG. 7 is a top view of the vehicle seat of FIG. 1.
In the figures, shading represents contour and not any particular color. Structure that is not part of the claimed design is represented in the figures by broken lines. The bottom surface of the vehicle seat is plain and unadorned and forms no part of the claimed design.

1 Claim, 7 Drawing Sheets



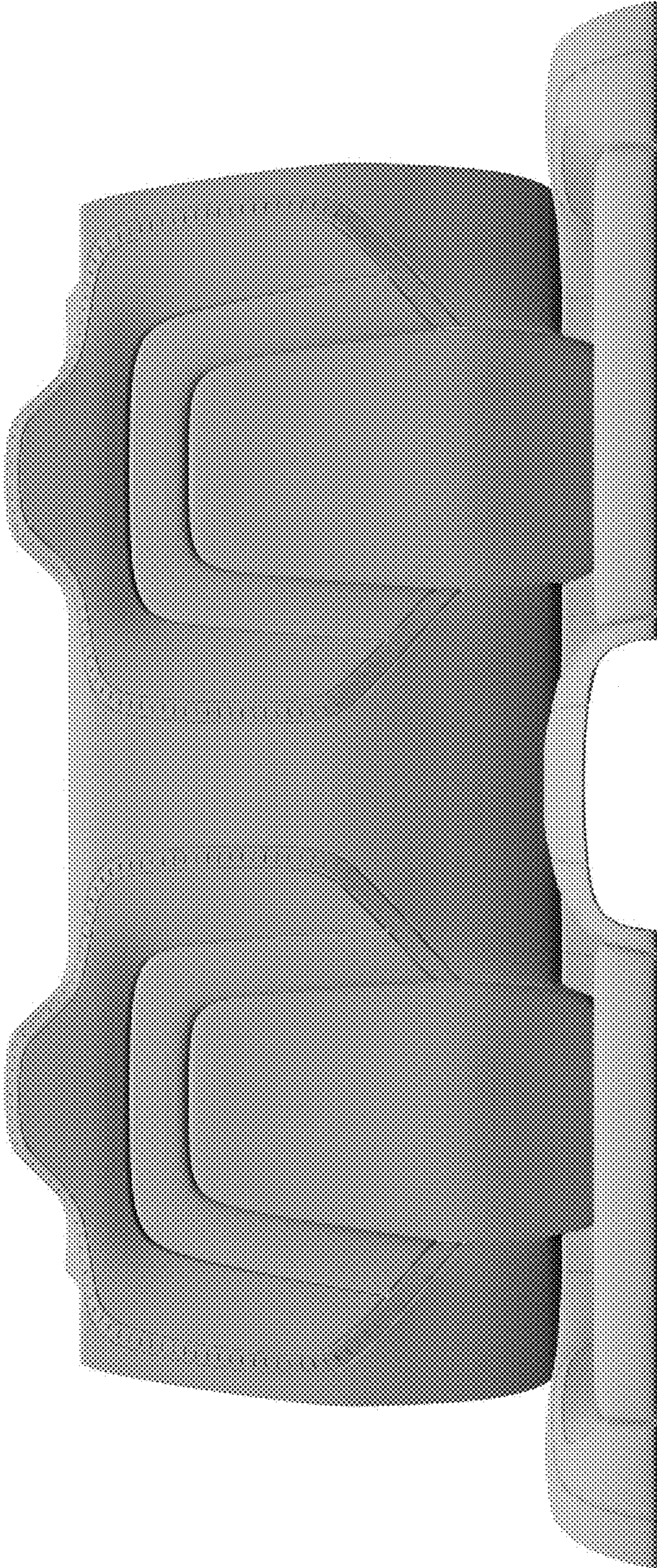


FIG. 1

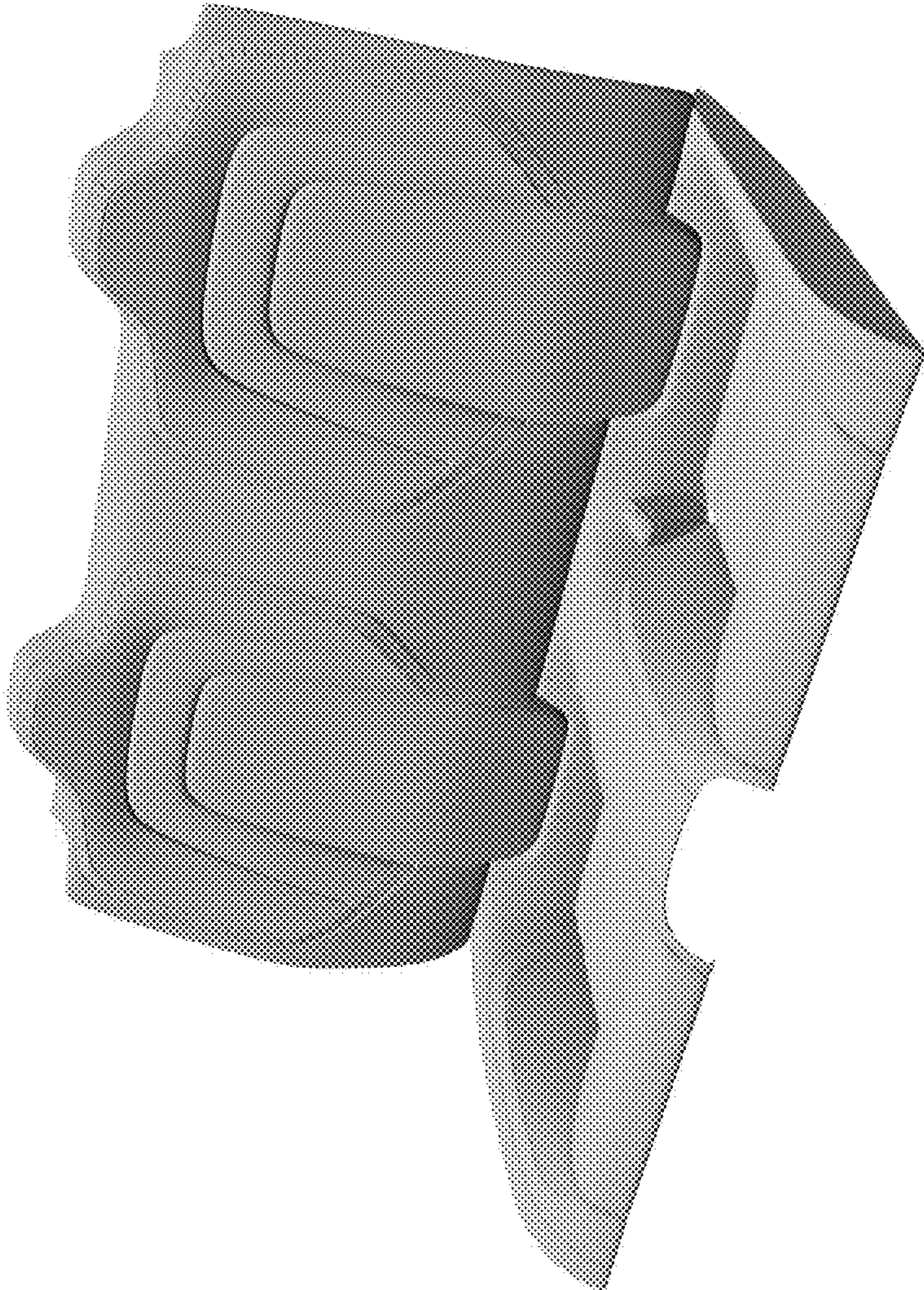


FIG. 2

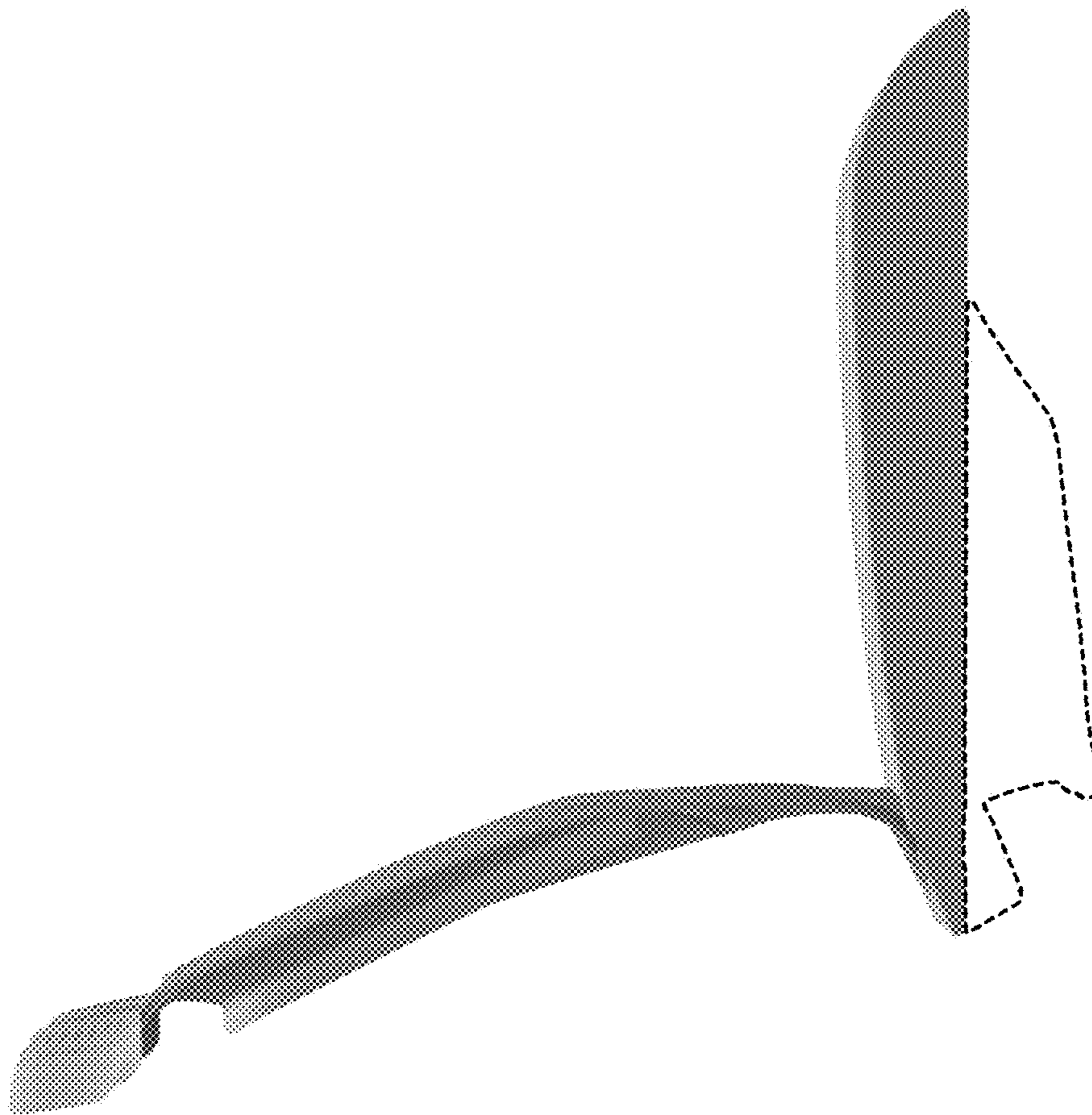


FIG. 3

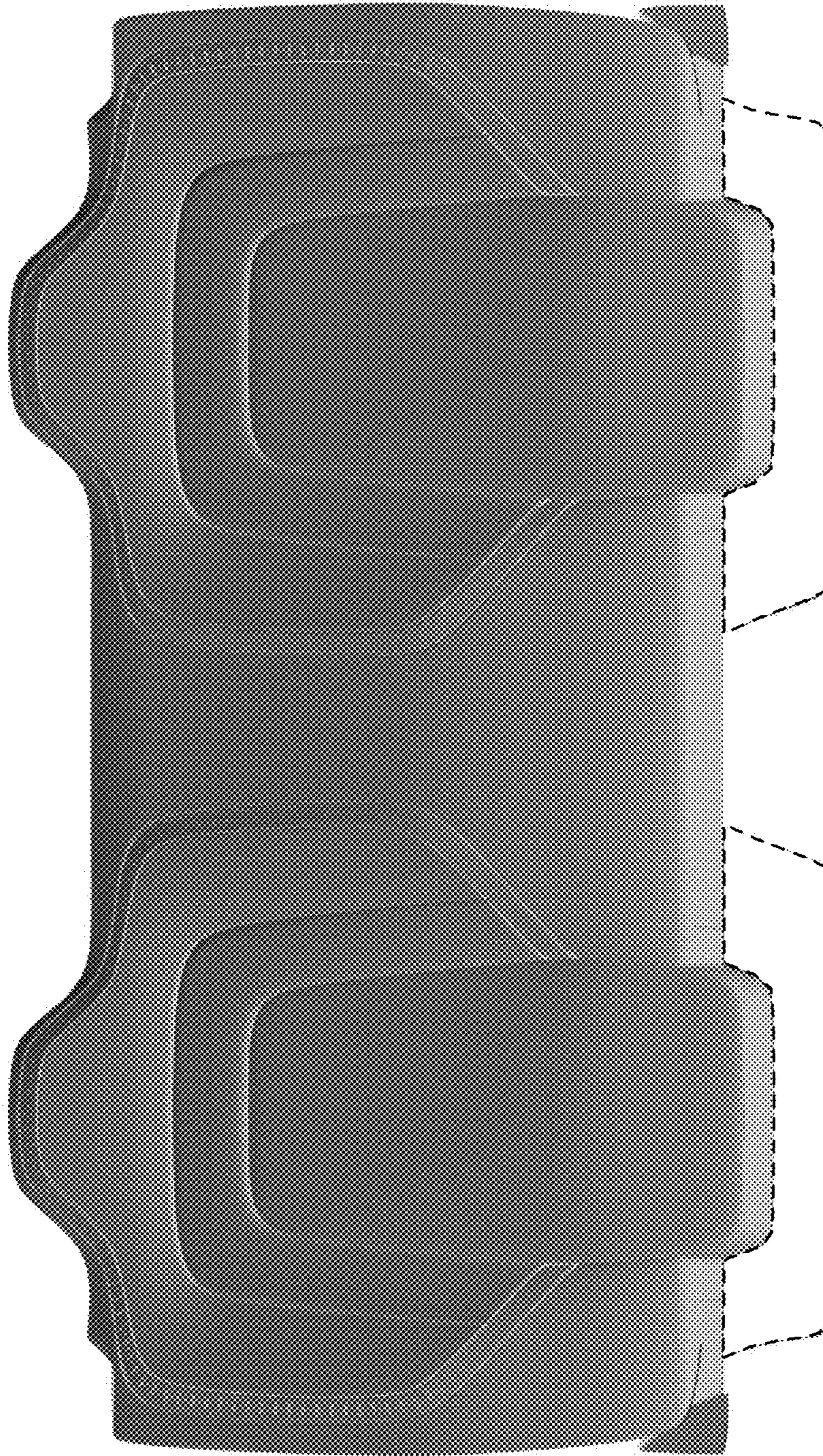


FIG. 4

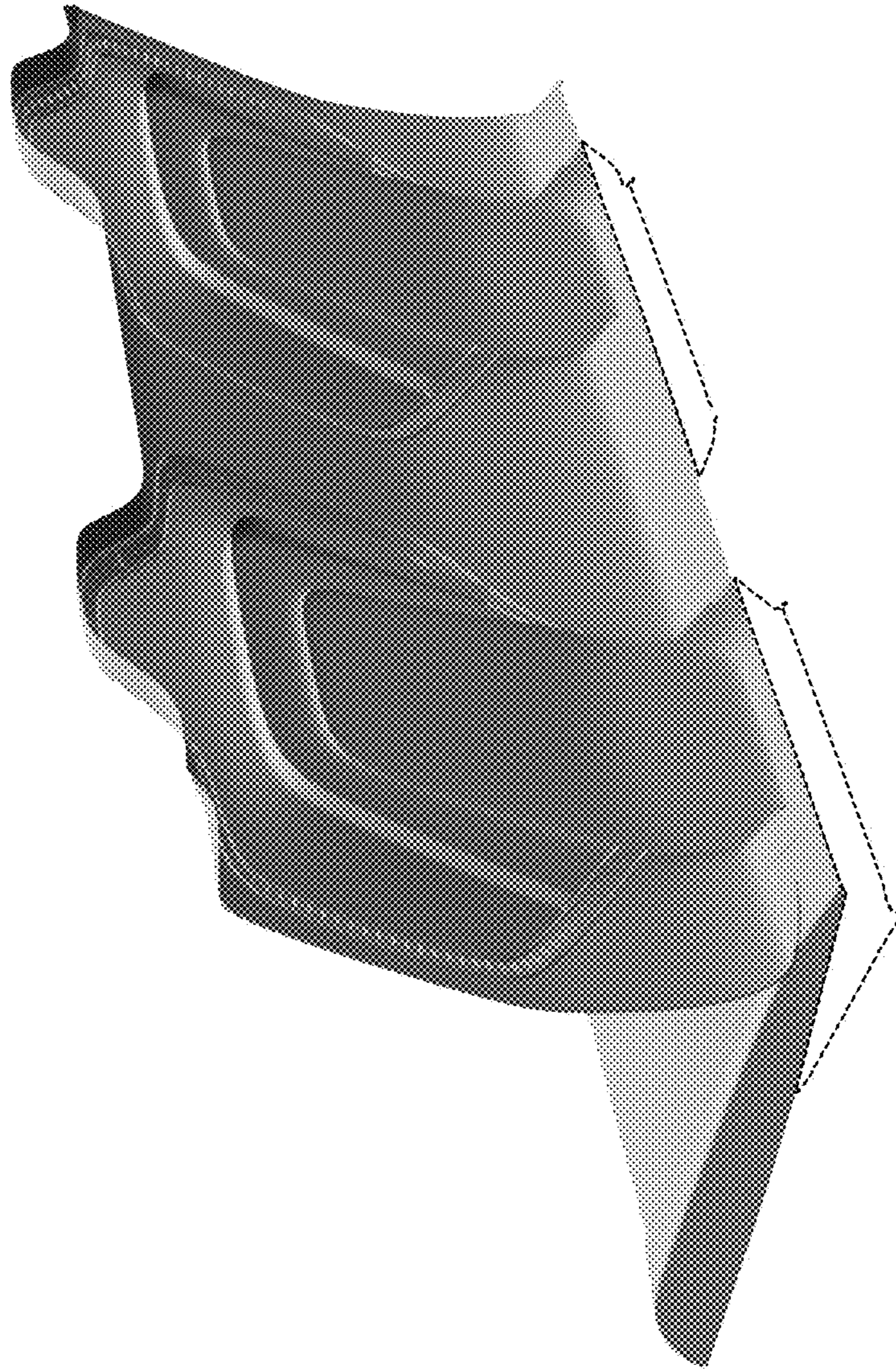


FIG. 5

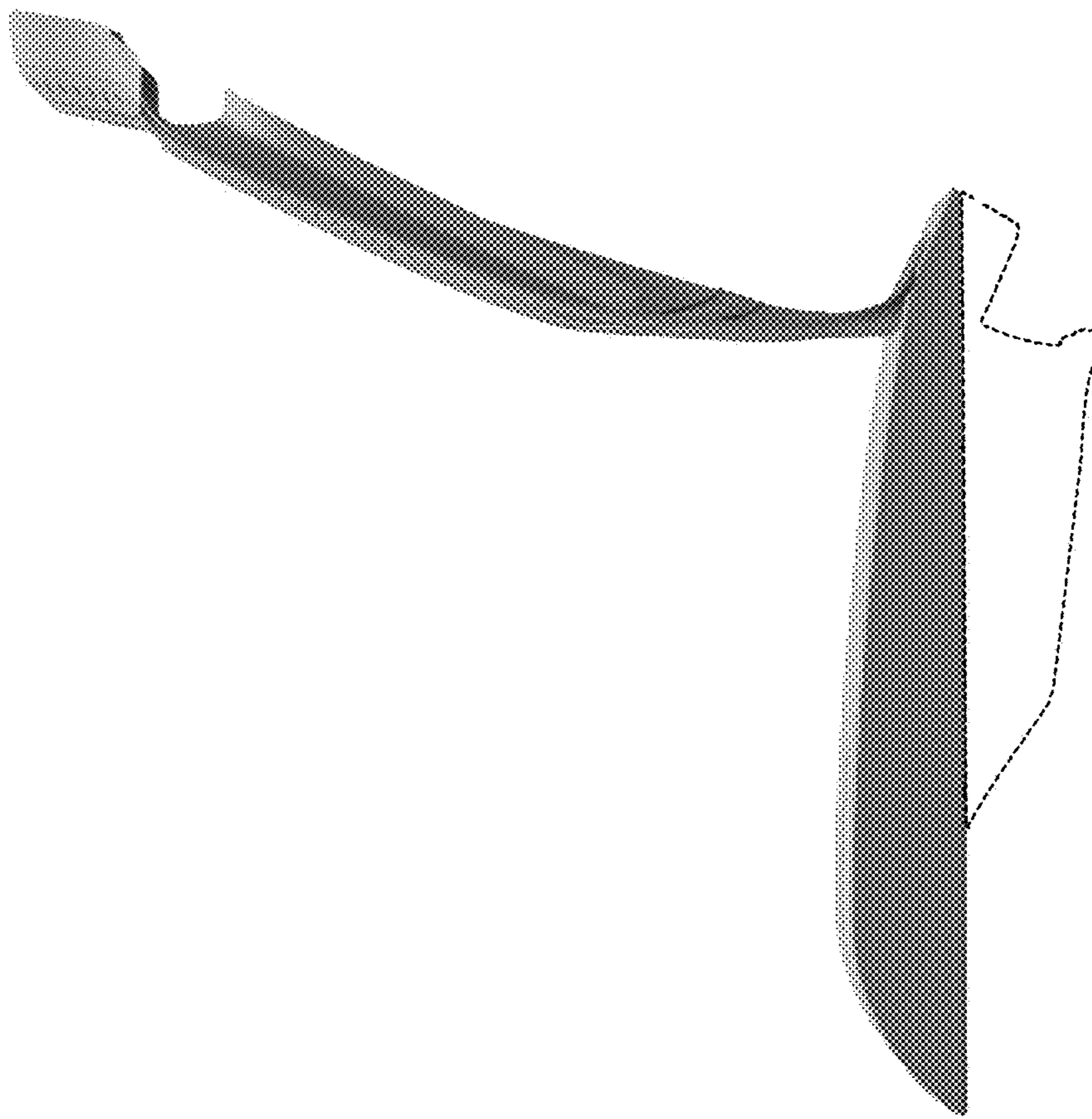


FIG. 6

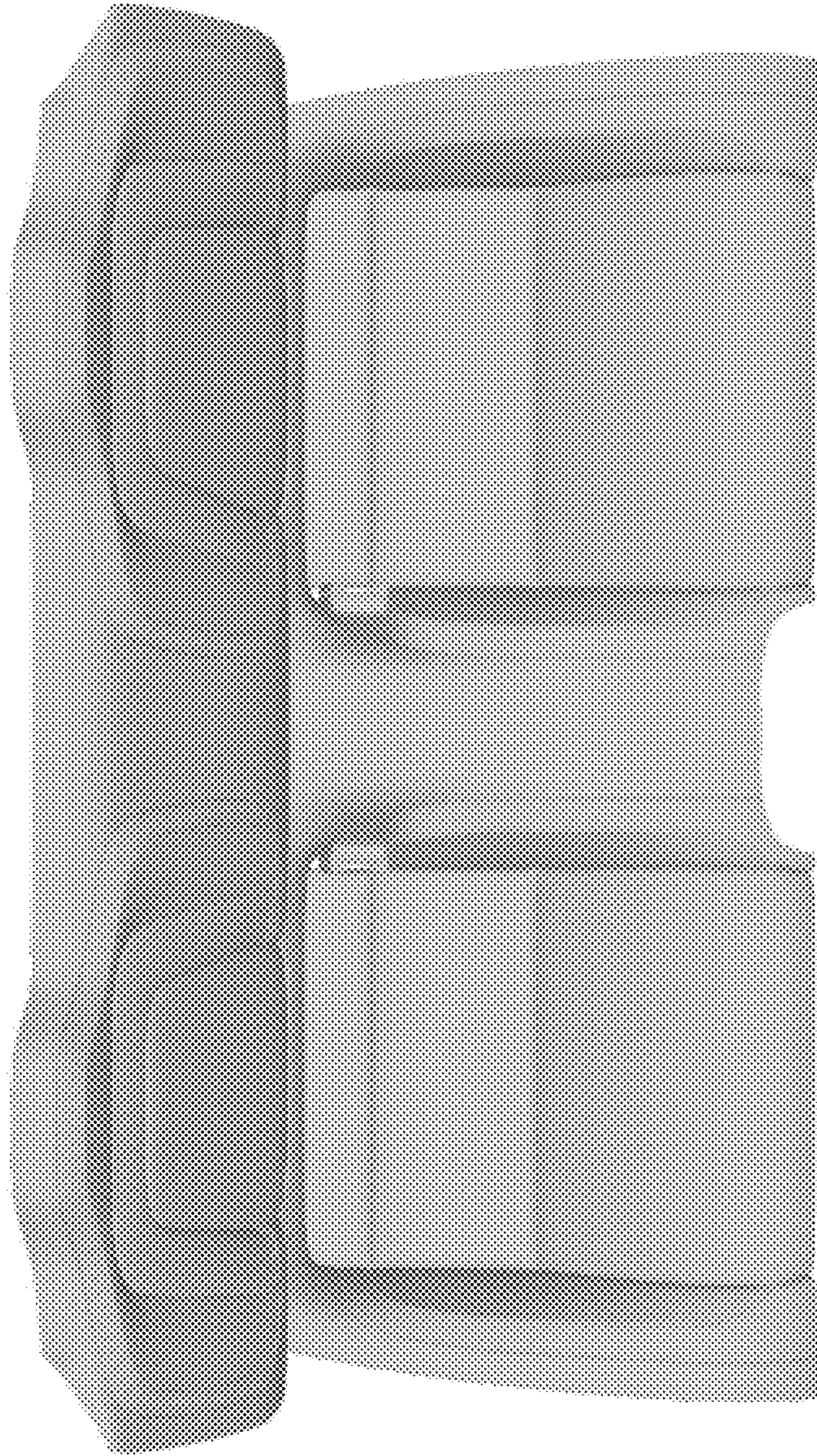


FIG. 7