



US00D878068S

(12) **United States Design Patent** (10) **Patent No.:** **US D878,068 S**  
**Li** (45) **Date of Patent:** **\*\* Mar. 17, 2020**

(54) **CART**  
(71) Applicant: **Chin-Chu Li**, Taichung (TW)  
(72) Inventor: **Chin-Chu Li**, Taichung (TW)  
(\*\*) Term: **15 Years**  
(21) Appl. No.: **29/643,089**  
(22) Filed: **Apr. 4, 2018**  
(51) **LOC (12) Cl.** ..... **06-01**  
(52) **U.S. Cl.**  
USPC ..... **D6/355**  
(58) **Field of Classification Search**  
USPC ..... D6/338, 353, 355, 360, 362, 681.2,  
D6/708.16, 716; D24/158, 176, 178, 185  
CPC ..... A47B 37/00; A47C 3/04; A47C 7/006;  
A47C 9/027; A47C 9/02; A61B 8/00;  
A61B 8/4405; A61B 8/4427; A61B  
50/10; A61B 50/13; A61B 50/15; A61G  
12/001; B62B 3/008; B62B 3/02; B62B  
3/10; B62M 1/00; F16M 11/041; F16M  
11/046; F16M 11/42; F16M 13/00; F16M  
13/02; G06F 1/1628; G06F 1/1632  
See application file for complete search history.

8,590,907 B2 \* 11/2013 Hurt ..... A47C 9/027  
280/47.131  
D699,852 S \* 2/2014 Chung ..... D24/158  
D700,706 S \* 3/2014 Molter ..... D24/185  
8,677,911 B2 \* 3/2014 McRorie ..... G06F 1/1628  
108/50.02  
8,714,569 B2 \* 5/2014 Lu ..... F16M 13/02  
280/35  
D712,042 S \* 8/2014 Chung ..... D24/185  
D729,536 S \* 5/2015 Ferm ..... D6/362  
9,079,600 B2 \* 7/2015 Houlihan ..... B62B 3/008  
D806,340 S \* 12/2017 Stalter ..... D34/14  
D816,223 S \* 4/2018 Barak ..... D24/158  
D817,651 S \* 5/2018 Siebert ..... D6/353  
D846,930 S \* 4/2019 Patton ..... D6/716  
2006/0232109 A1 \* 10/2006 Olano ..... A47C 3/04  
297/195.11  
2010/0004535 A1 \* 1/2010 Song ..... A61B 8/00  
600/437

\* cited by examiner

*Primary Examiner* — Kevin K Rudzinski  
*Assistant Examiner* — Paul D Bohannon  
(74) *Attorney, Agent, or Firm* — Chun-Ming Shih; HDLS  
IPR Services

(57) **CLAIM**

The ornamental design for a cart, as shown and described.

**DESCRIPTION**

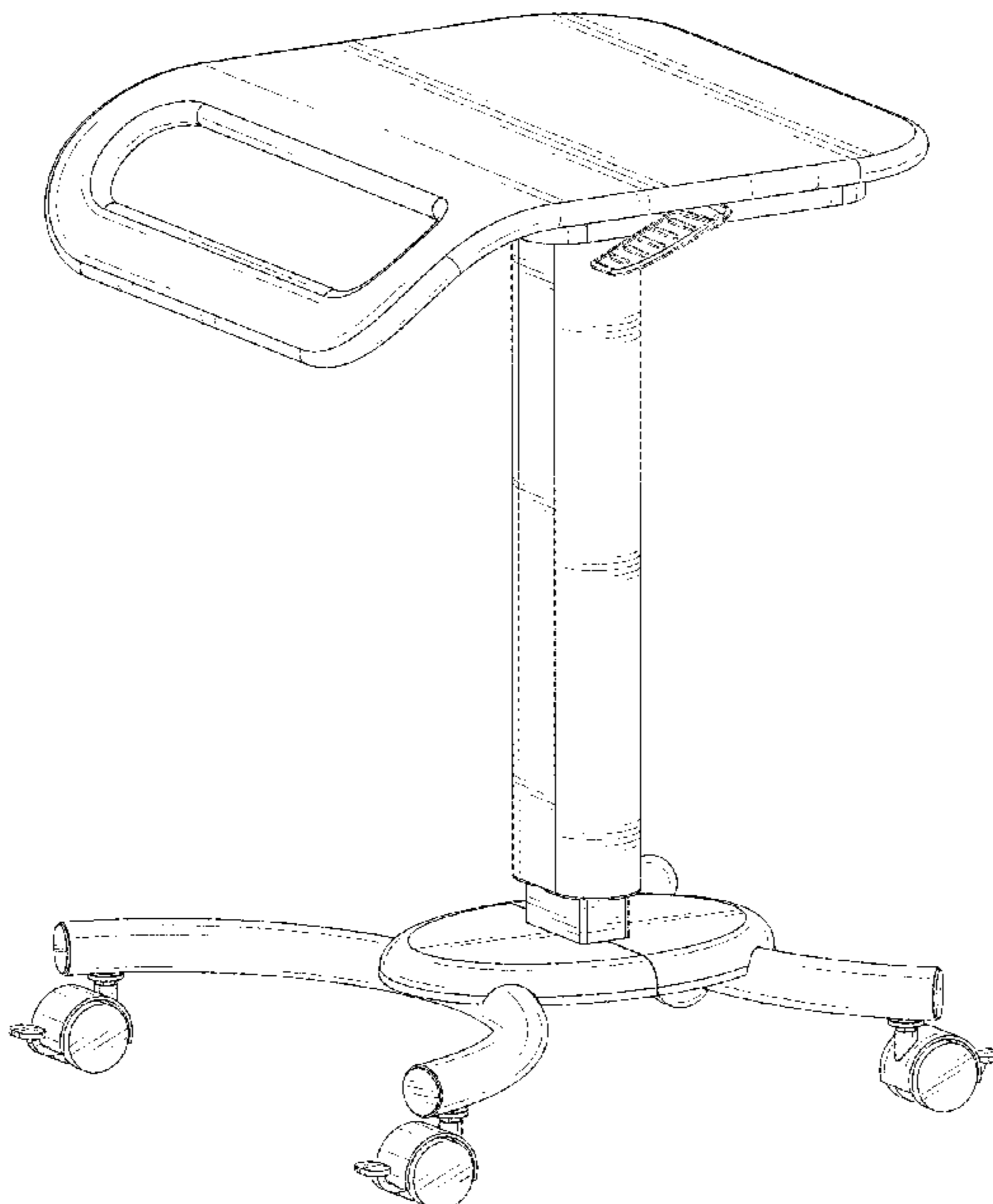
FIG. 1 is a perspective view of a cart showing my new design;  
FIG. 2 is a front view thereof;  
FIG. 3 is a rear view thereof;  
FIG. 4 is a left side view thereof;  
FIG. 5 is a right side view thereof;  
FIG. 6 is a top view thereof;  
FIG. 7 is a bottom view thereof; and,  
FIG. 8 is a perspective view showing the cart in use.

**1 Claim, 8 Drawing Sheets**

(56) **References Cited**

**U.S. PATENT DOCUMENTS**

2,625,989 A \* 1/1953 Pond ..... A47C 9/02  
248/127  
D577,518 S \* 9/2008 Redfern ..... D6/716  
D621,631 S \* 8/2010 Li ..... D6/360  
D627,178 S \* 11/2010 Adams ..... D6/656.12  
D638,637 S \* 5/2011 Foley ..... D6/656.15  
D649,369 S \* 11/2011 Benden ..... D6/338  
8,245,652 B2 \* 8/2012 Hung ..... A61G 12/001  
108/147  
D683,557 S \* 6/2013 Block, Jr. .... D6/708.16



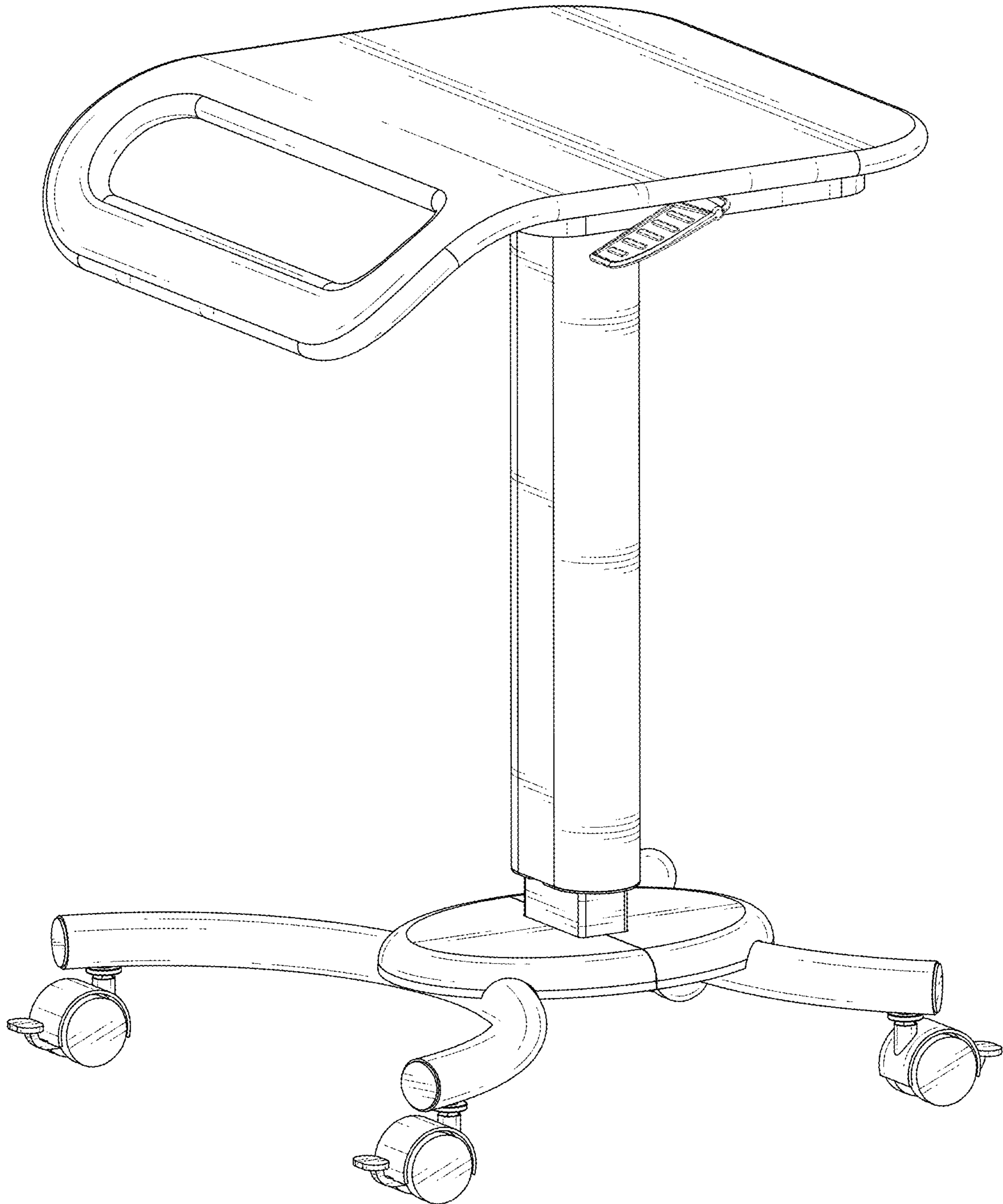


FIG.1

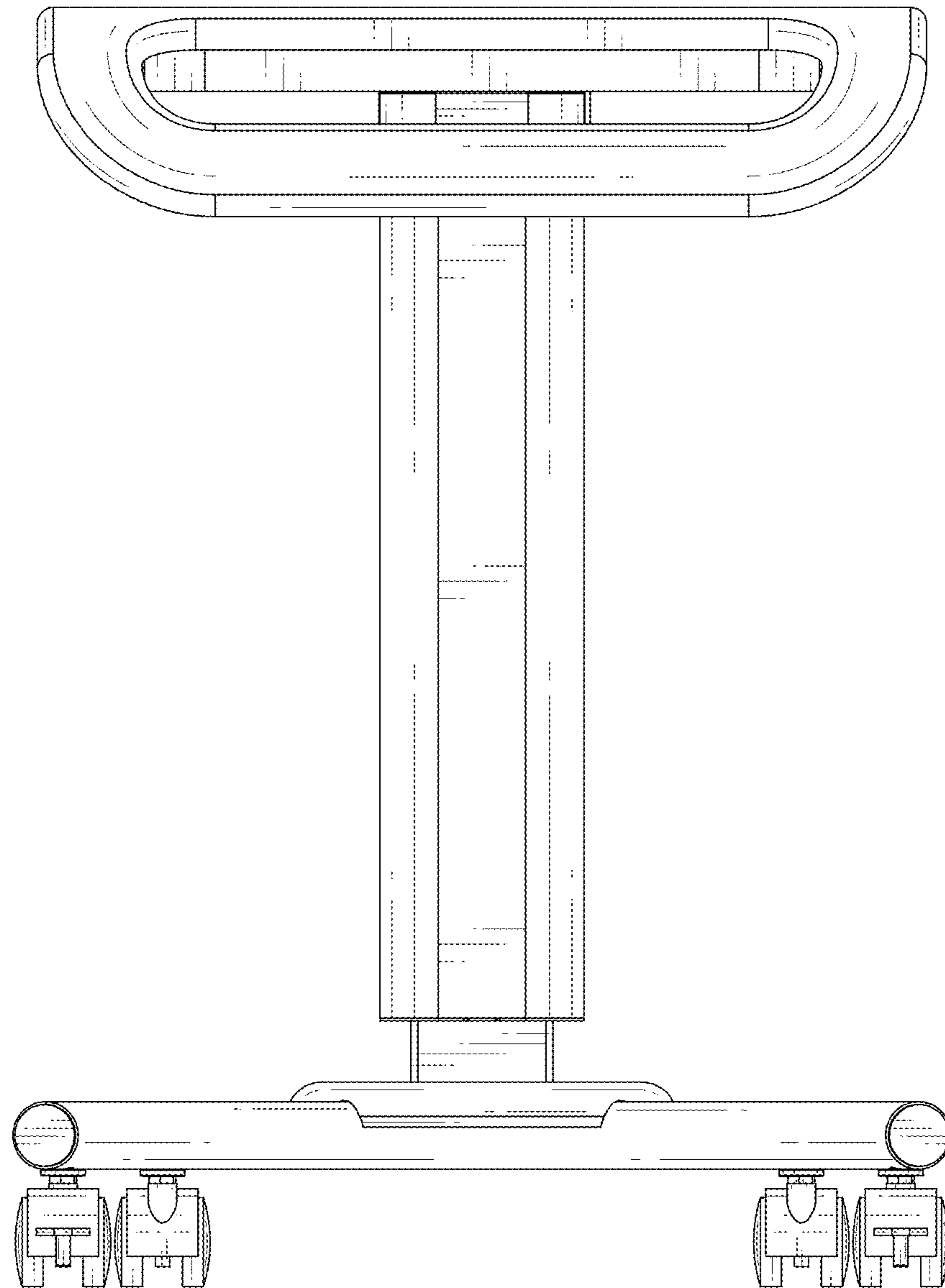


FIG.2

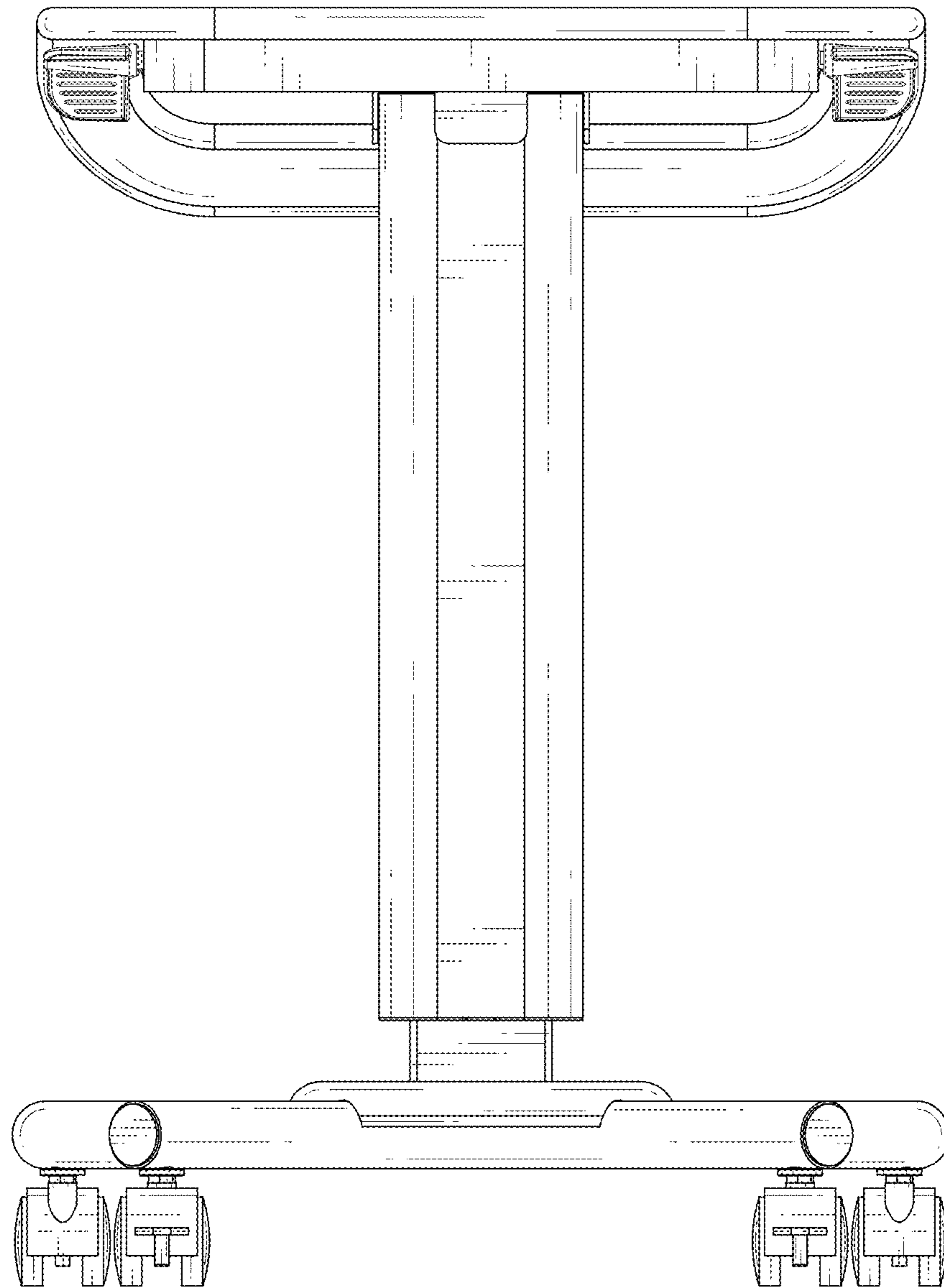


FIG.3

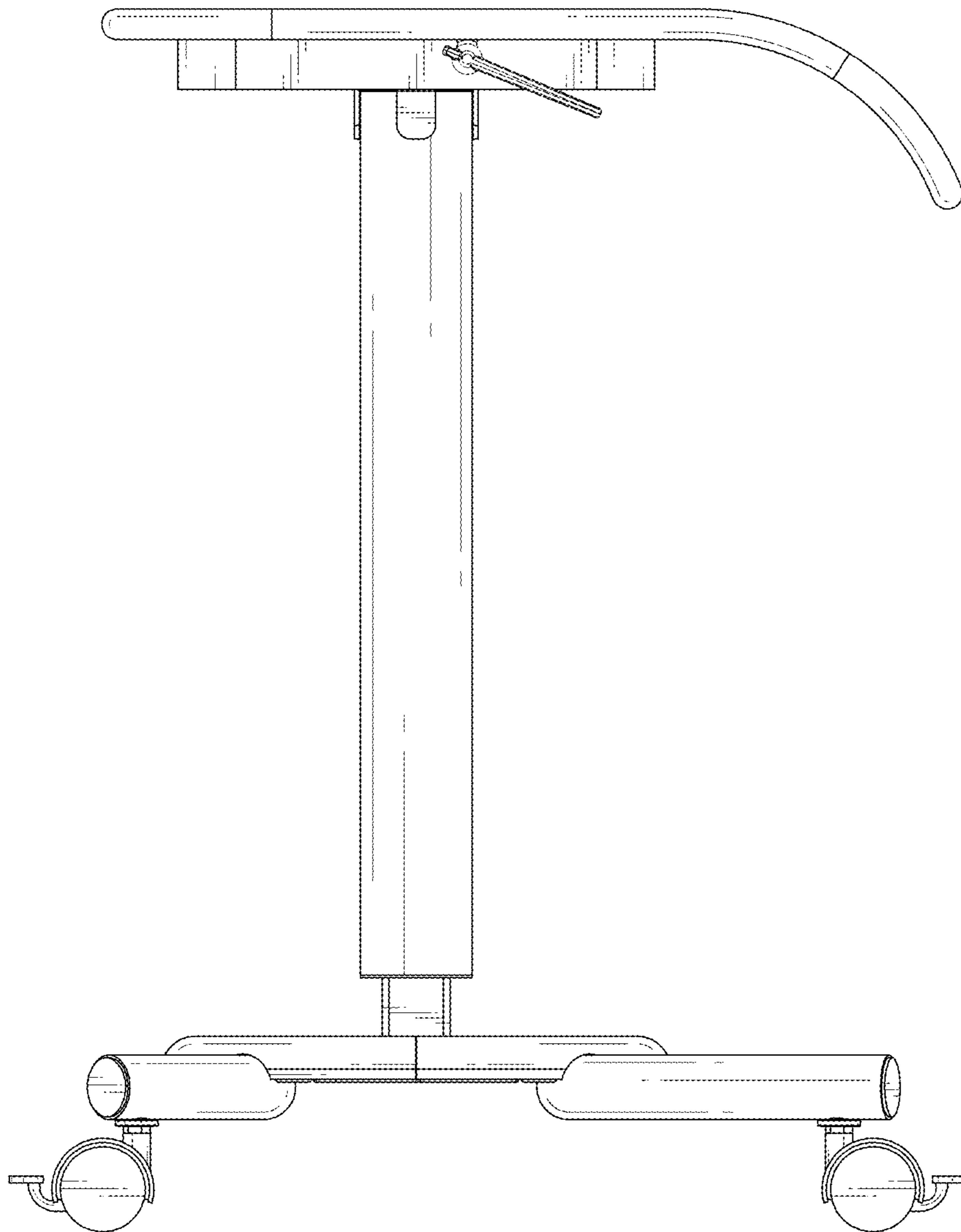


FIG.4

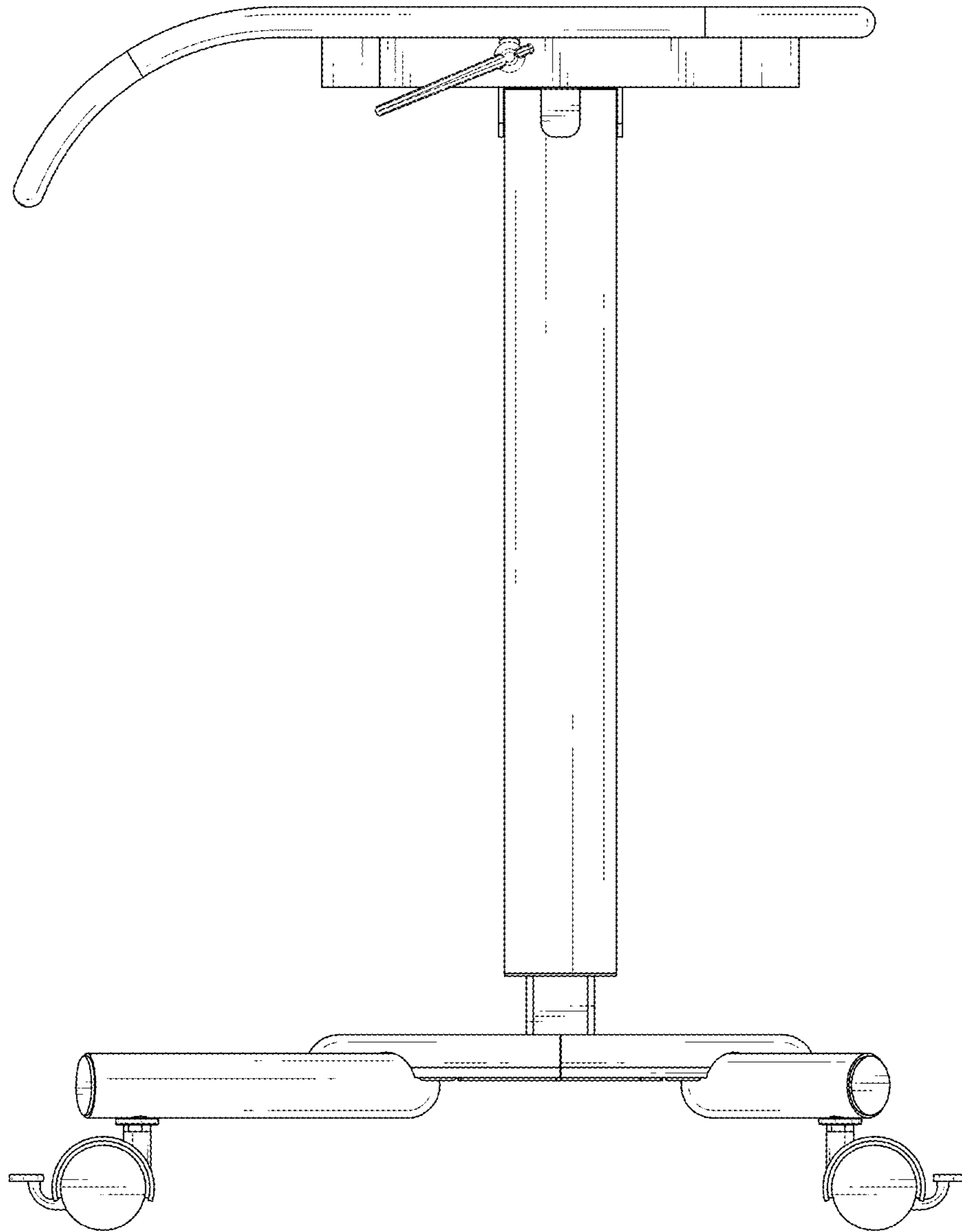


FIG.5



FIG.6

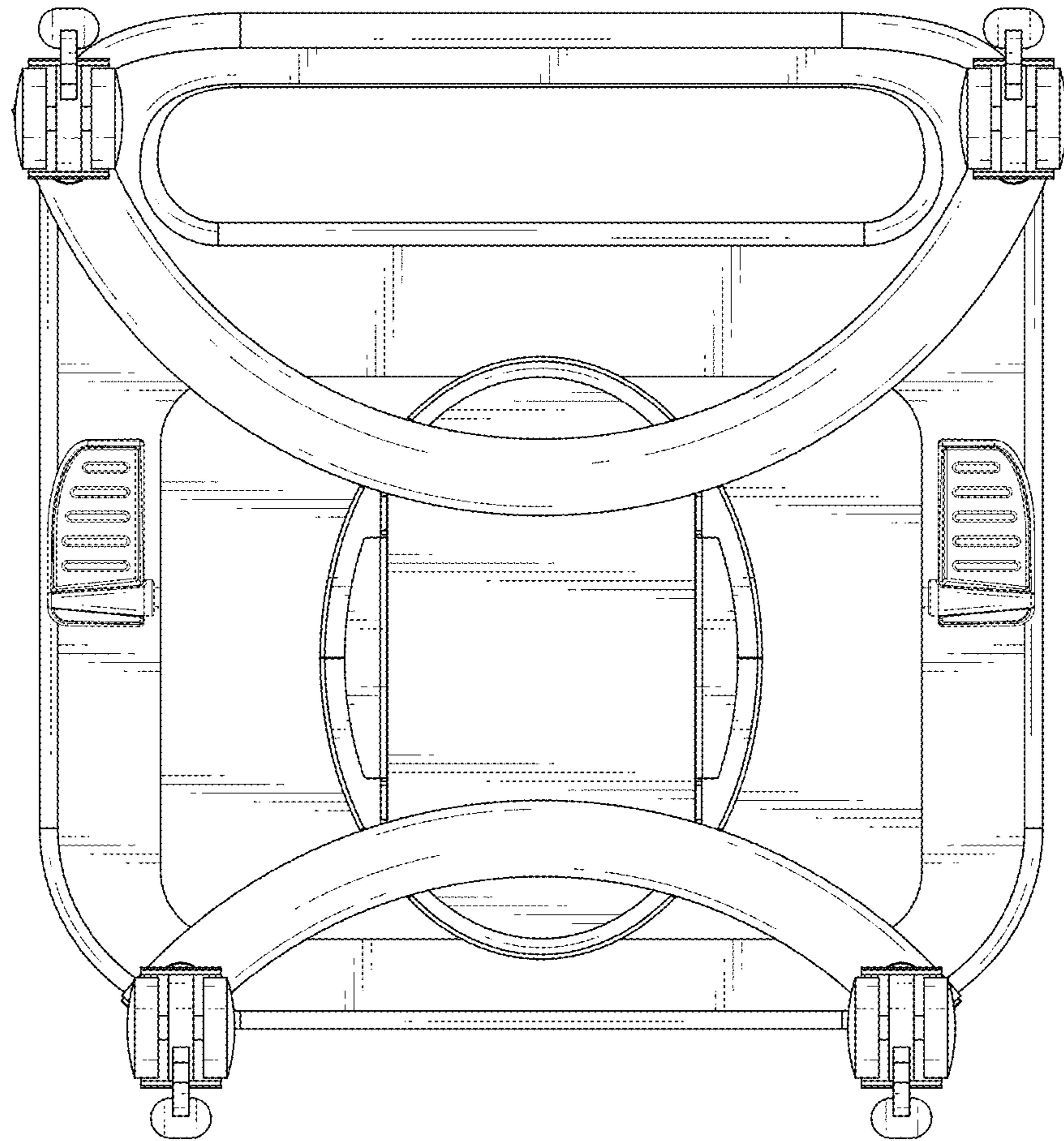


FIG.7



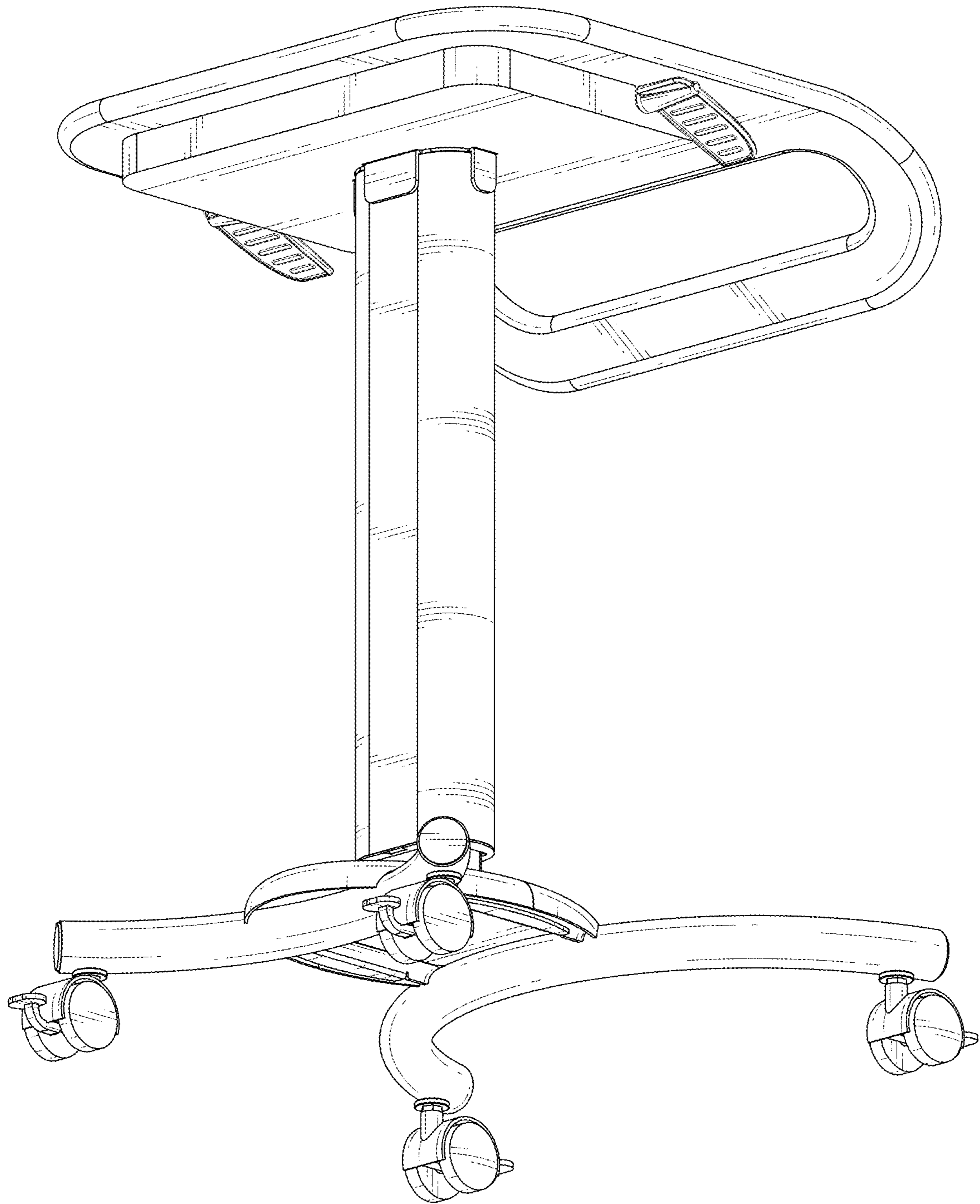


FIG. 8