



US00D878067S

(12) **United States Design Patent**
You et al.

(10) **Patent No.:** **US D878,067 S**
(45) **Date of Patent:** **** Mar. 17, 2020**

- (54) **TELESCOPIC STOOL**
- (71) Applicant: **Yiwu Locyop Household Product co., Ltd, Yiwu (CN)**
- (72) Inventors: **Wenbiao You, Yiwu (CN); Changwei Long, Yiwu (CN)**
- (73) Assignee: **Yiwu Locyop Household Product co., Ltd, Yiwu (CN)**
- (**) Term: **15 Years**
- (21) Appl. No.: **29/709,512**
- (22) Filed: **Oct. 15, 2019**
- (51) **LOC (12) Cl.** **06-01**
- (52) **U.S. Cl.**
USPC **D6/353**
- (58) **Field of Classification Search**
USPC D6/349–353, 364–365, 392–692.6
See application file for complete search history.

- D777,487 S * 1/2017 Baylar D6/692.3
- D809,809 S * 2/2018 Theesfeld D6/352
- D828,062 S * 9/2018 Lykouria D6/692.3
- D829,014 S * 9/2018 Handler D6/352

OTHER PUBLICATIONS

Mini Max Portable & Collapsible Stool. [online] Retrieved Oct. 15, 2019 from URL: https://www.bhphotovideo.com/c/product/1452458-REG/mini_max_85393400_stool_portable_collapsible.html.*

* cited by examiner

Primary Examiner — Vy N Koenig

(74) *Attorney, Agent, or Firm* — ScienBiziP, P.C.

(57) **CLAIM**

The ornamental design for a telescopic stool, as shown and described.

DESCRIPTION

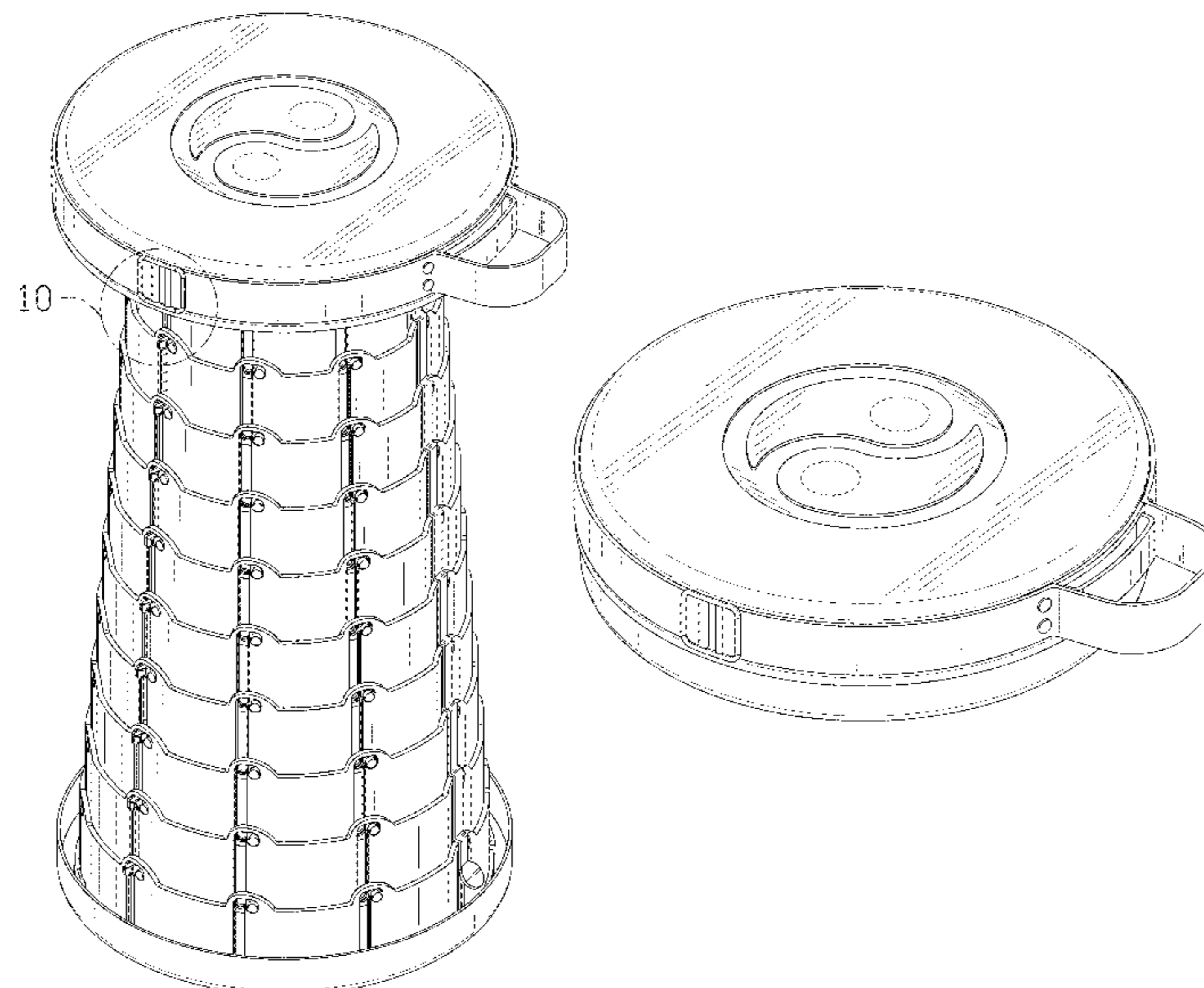
FIG. 1 is a top, front perspective view of a telescopic stool, showing our design.
 FIG. 2 is a bottom, rear perspective view thereof.
 FIG. 3 is a front elevation view thereof.
 FIG. 4 is a rear elevation view thereof.
 FIG. 5 is a left side elevation view thereof.
 FIG. 6 is a right side elevation view thereof.
 FIG. 7 is a top plan view thereof.
 FIG. 8 is a bottom plan view thereof.
 FIG. 9 is a top, front perspective view thereof, shown in a folded status.
 FIG. 10 is an enlarged view of the area labeled 10 in FIG. 1.
 FIG. 11 is an enlarged view of the area labeled 11 in FIG. 2; and,
 FIG. 12 is an enlarged view of the area labeled 12 in FIG. 3.
 The broken lines in the drawings depict details and features of the telescopic stool that form no part of the claimed design.

1 Claim, 12 Drawing Sheets

(56) **References Cited**

U.S. PATENT DOCUMENTS

- 3,230,909 A * 1/1966 Watson A47C 9/00
108/150
- D225,596 S * 12/1972 Locas D6/692.3
- 3,715,996 A * 2/1973 Rolfshus A47B 3/10
297/311
- 4,208,072 A * 6/1980 Iskendarian A47C 3/04
108/150
- D305,850 S * 2/1990 Peterson D6/334
- D460,641 S * 7/2002 O'Hare D6/708.15
- 7,195,102 B2 3/2007 Shai
- D613,096 S * 4/2010 Stoepker D6/692.3
- D663,969 S * 7/2012 Hundley D6/677
- D671,757 S * 12/2012 Walker D6/349
- D672,568 S 12/2012 Keeley
- D722,799 S * 2/2015 Urban D6/692.4
- D729,975 S * 5/2015 Mehio D27/162
- D745,297 S * 12/2015 Ye D6/692.3



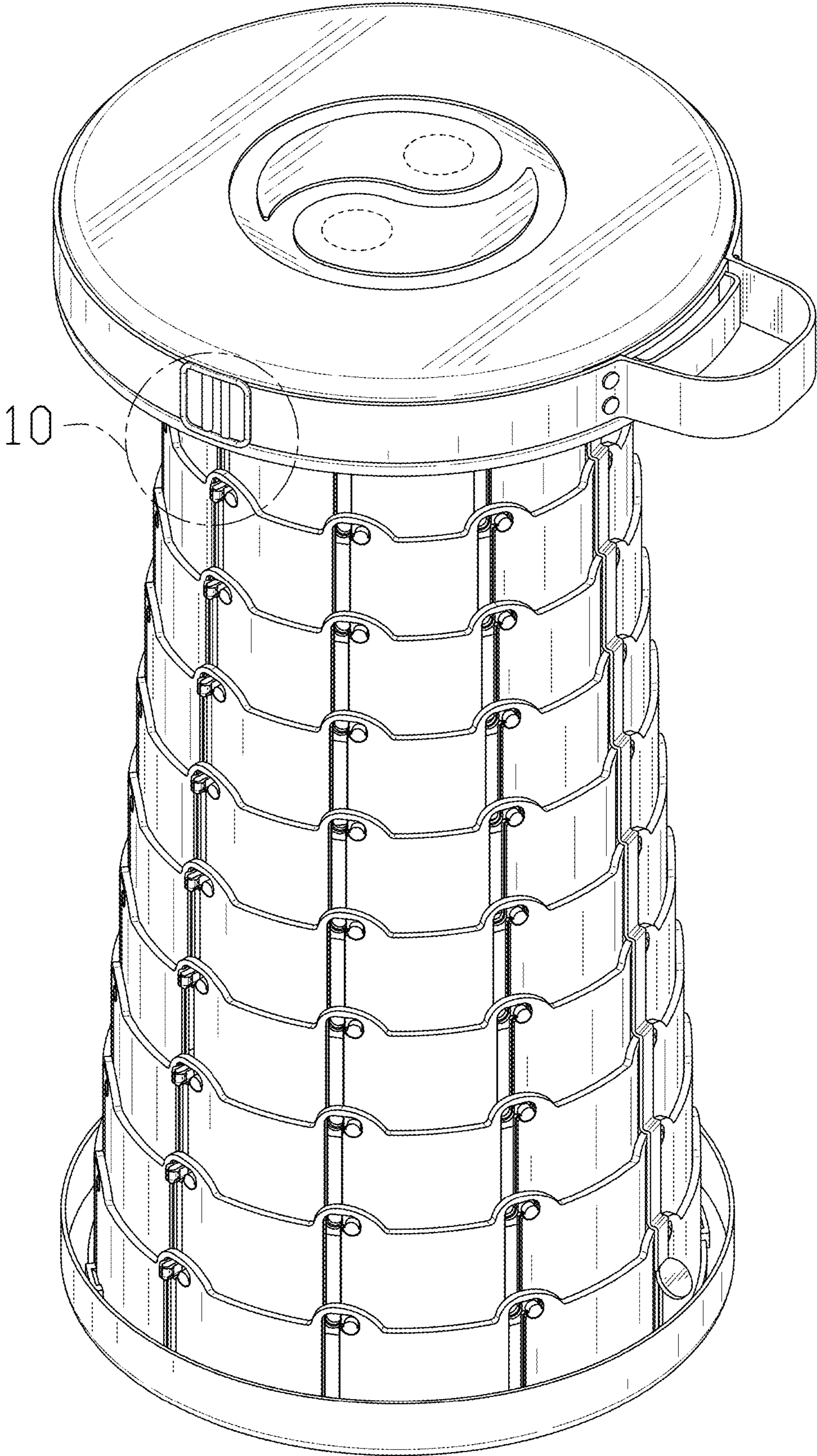


FIG. 1

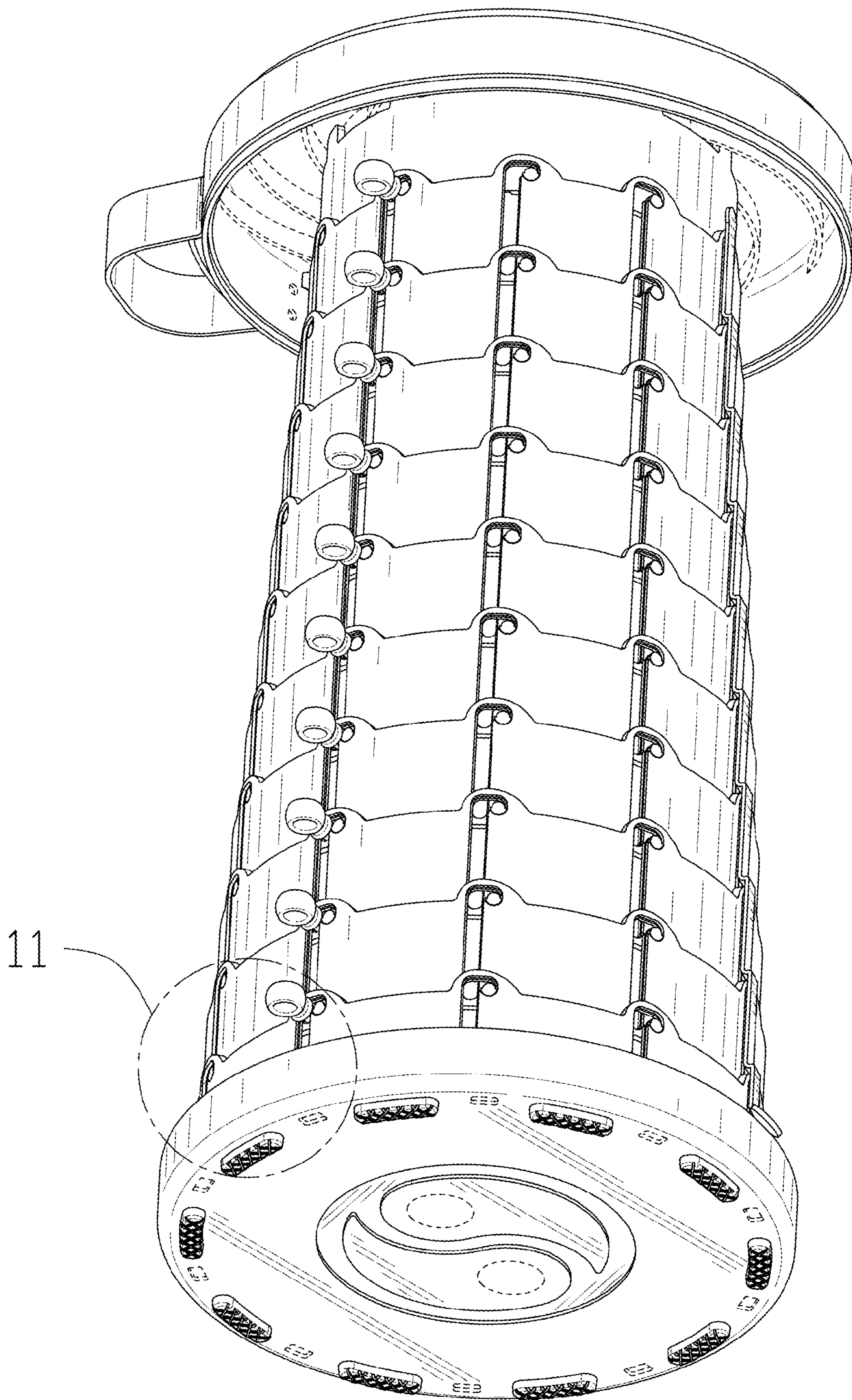


FIG. 2

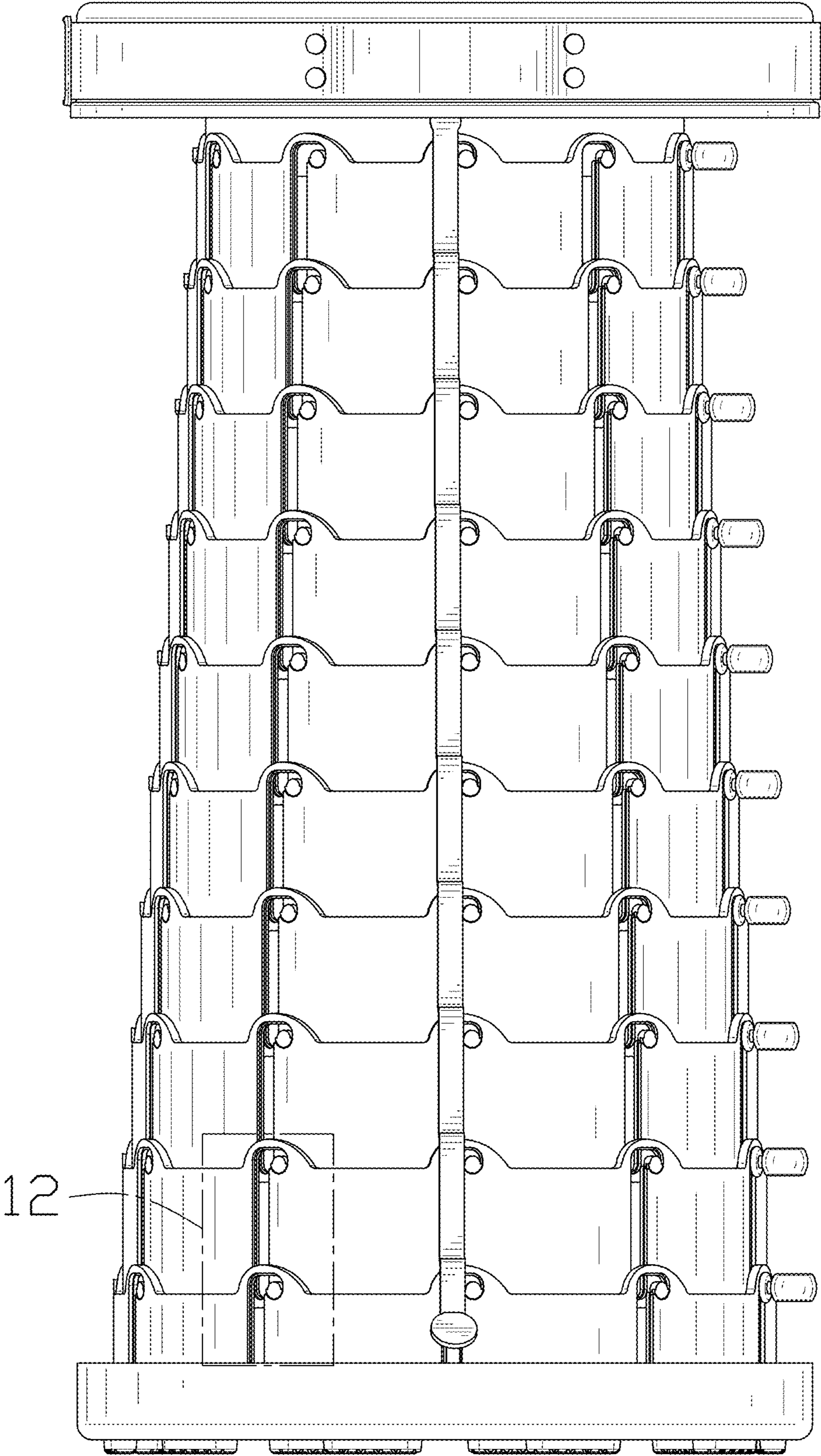


FIG. 3

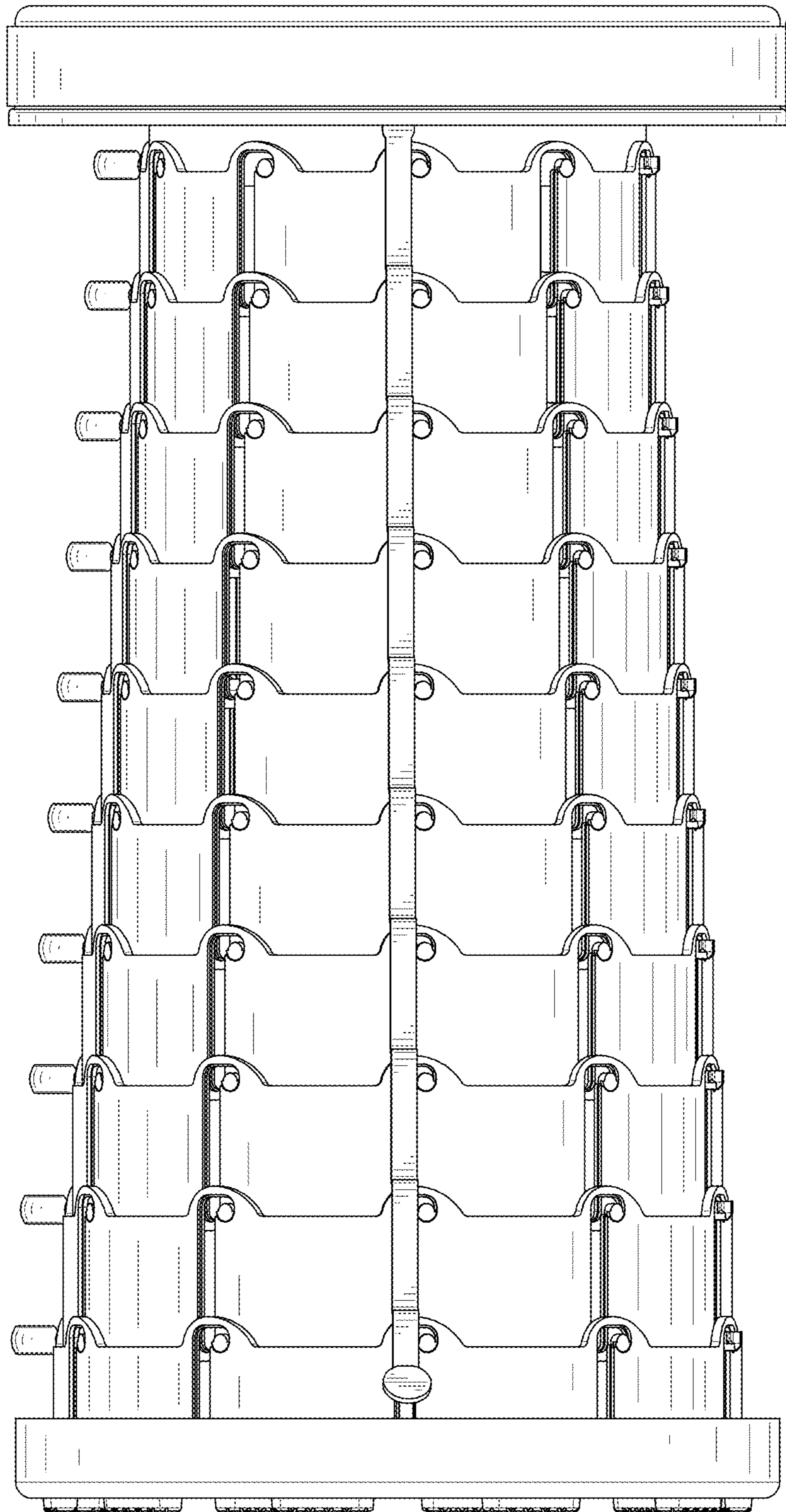


FIG. 4

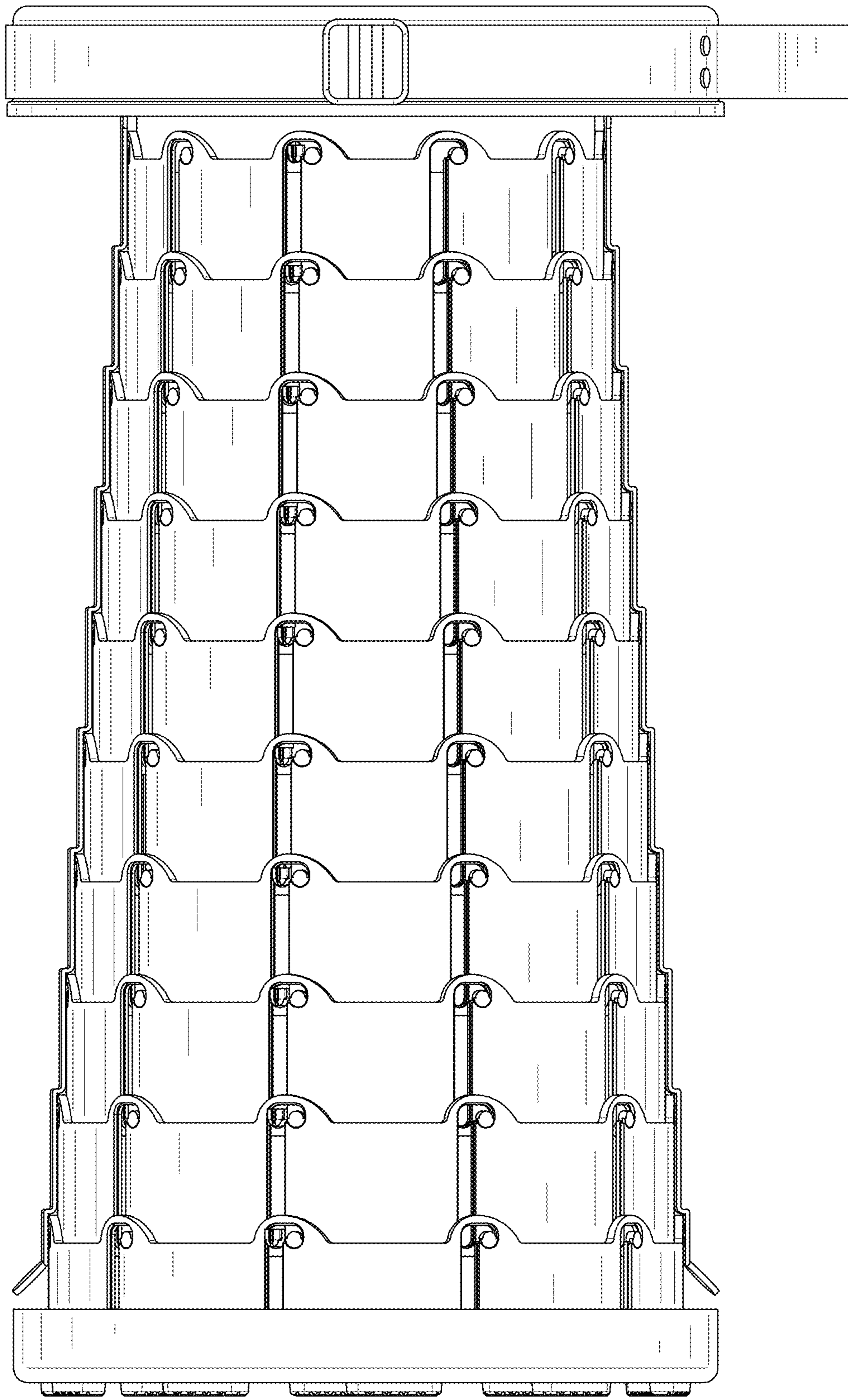


FIG. 5

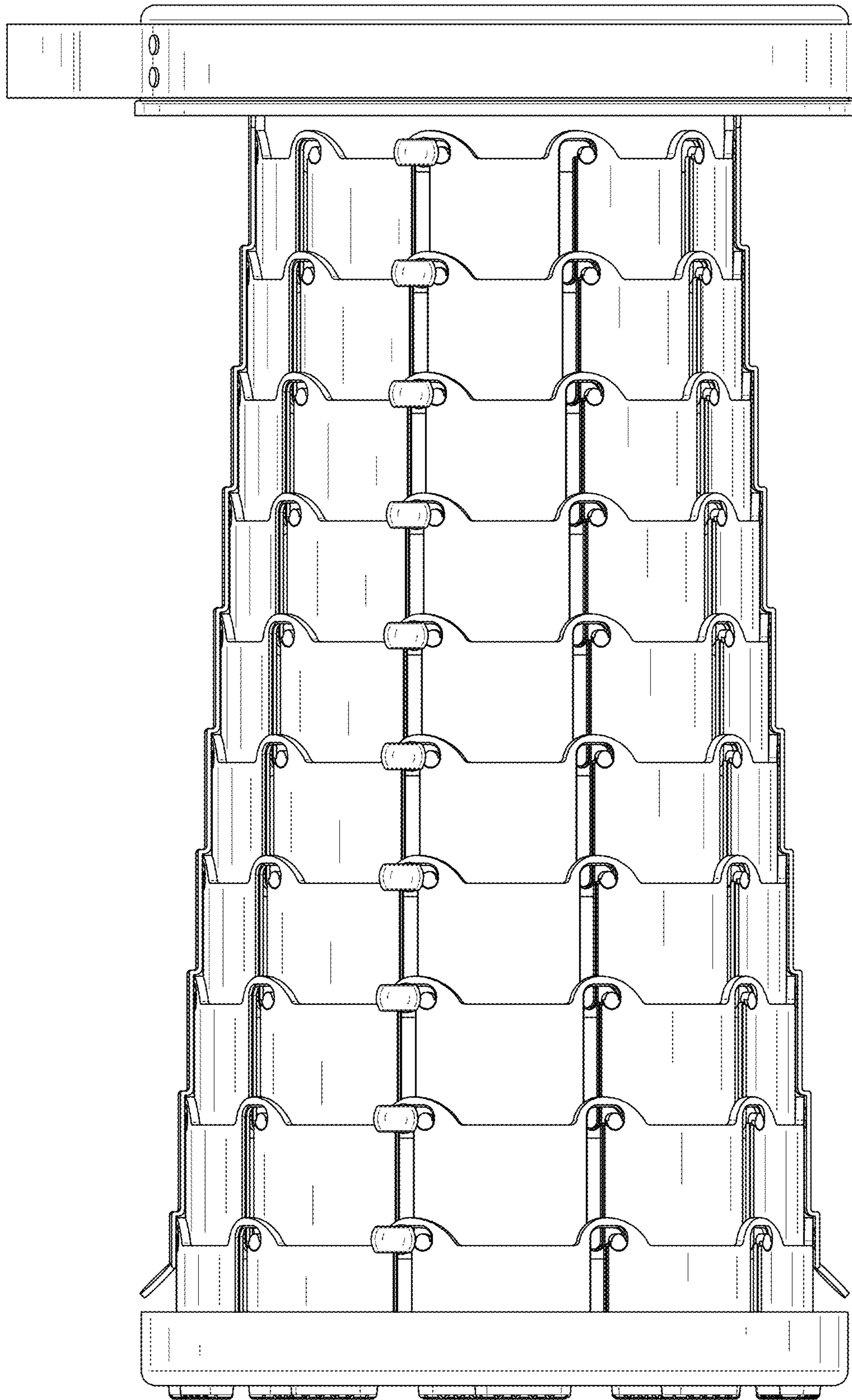


FIG. 6

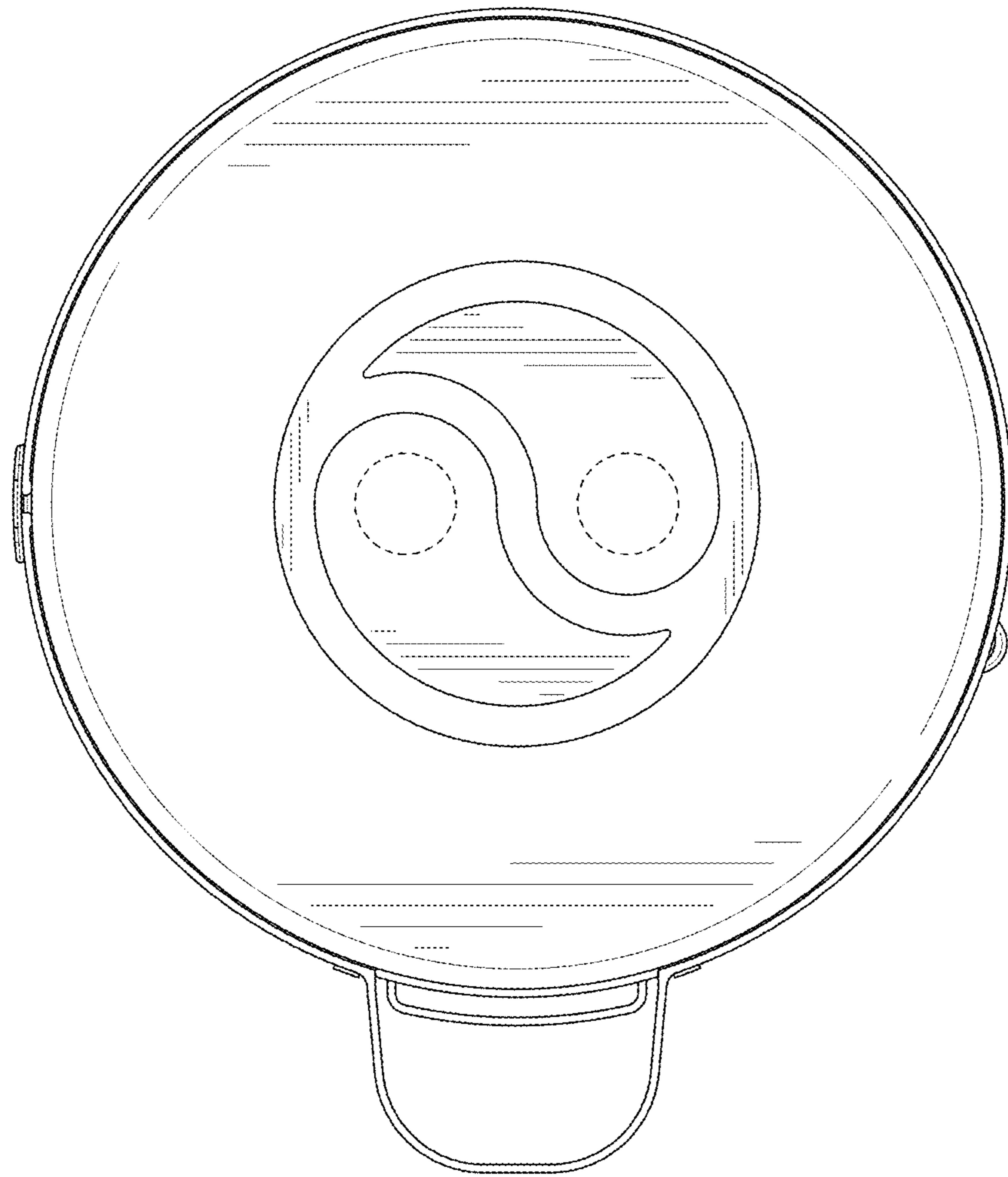


FIG. 7

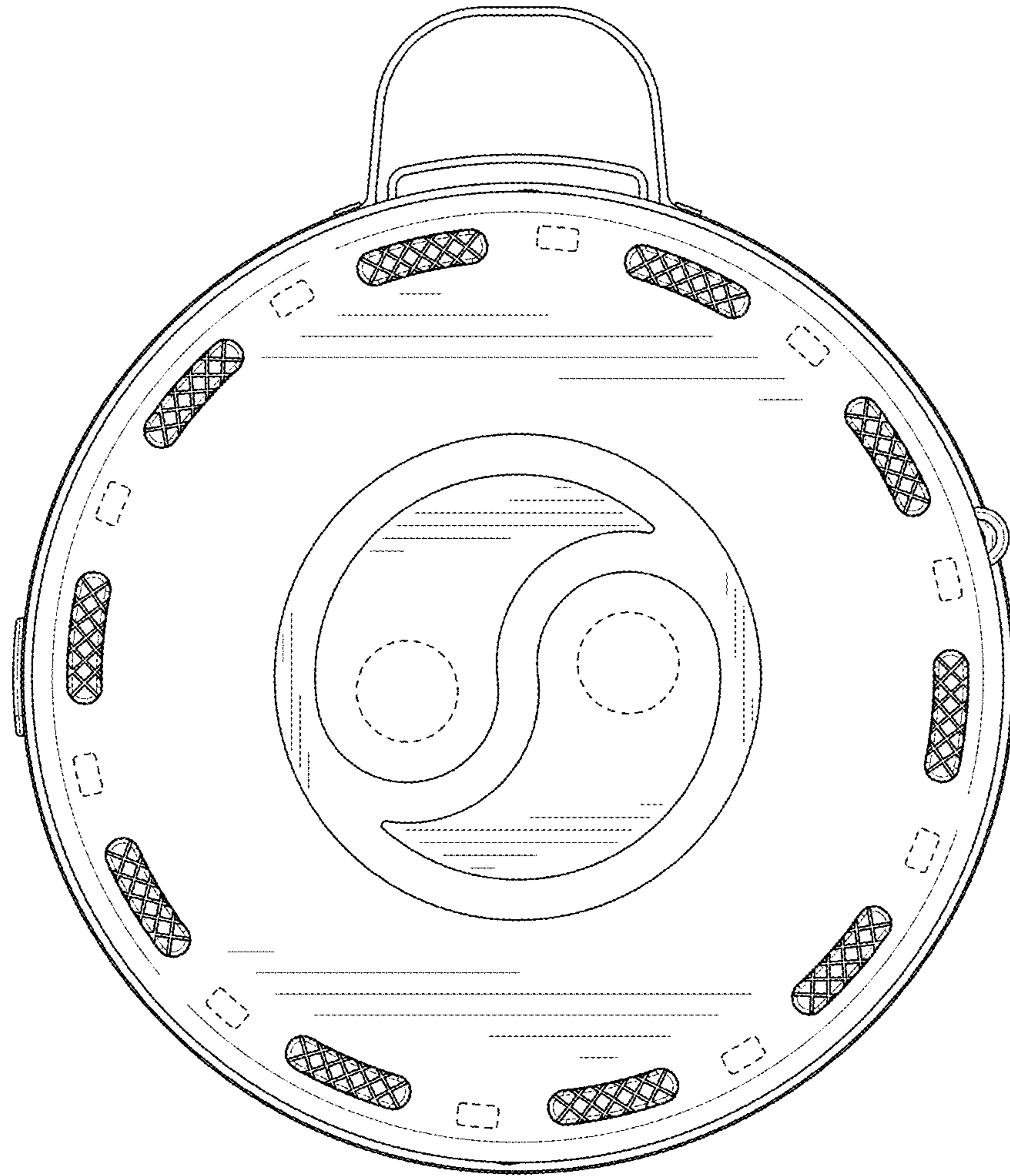


FIG. 8

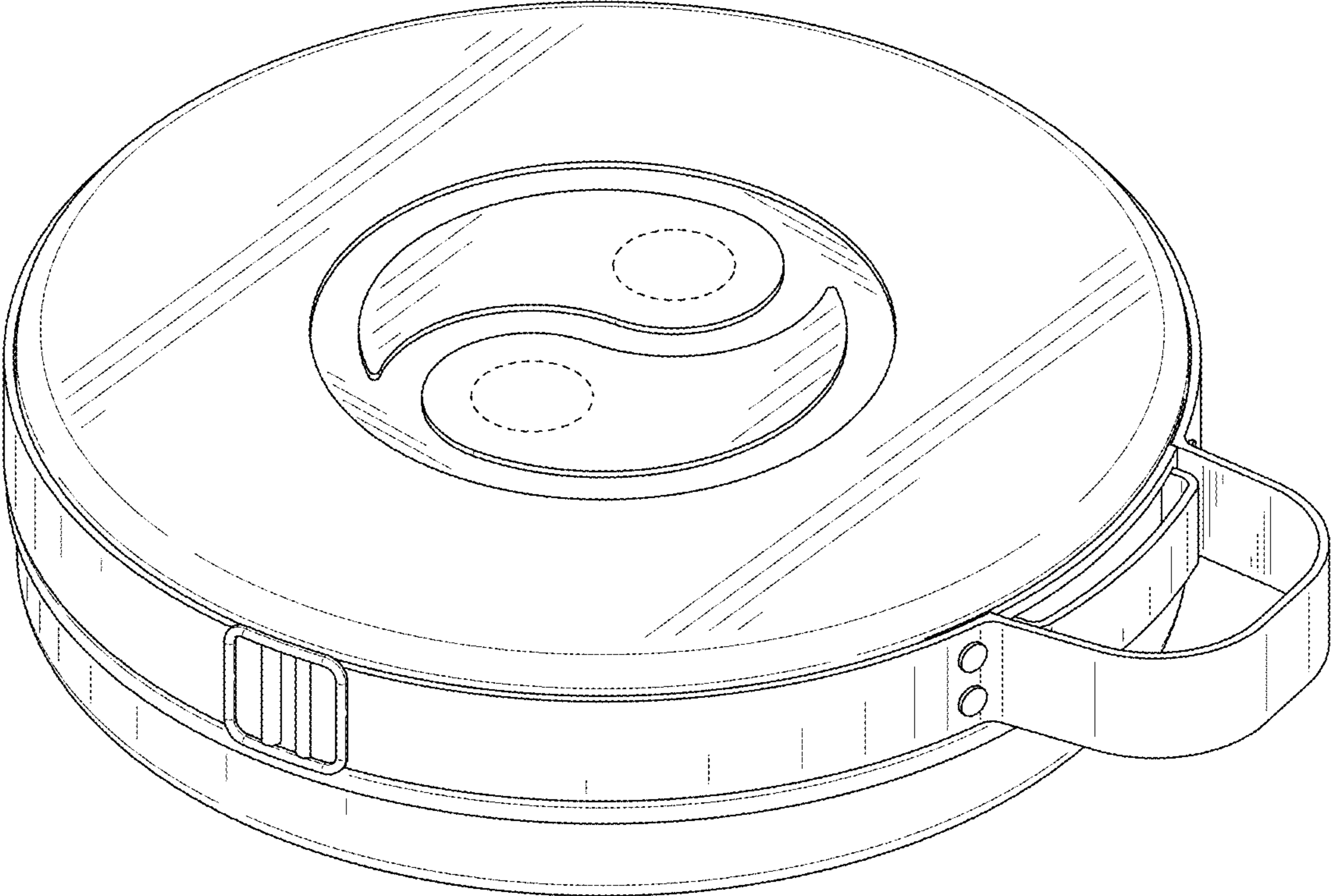


FIG. 9

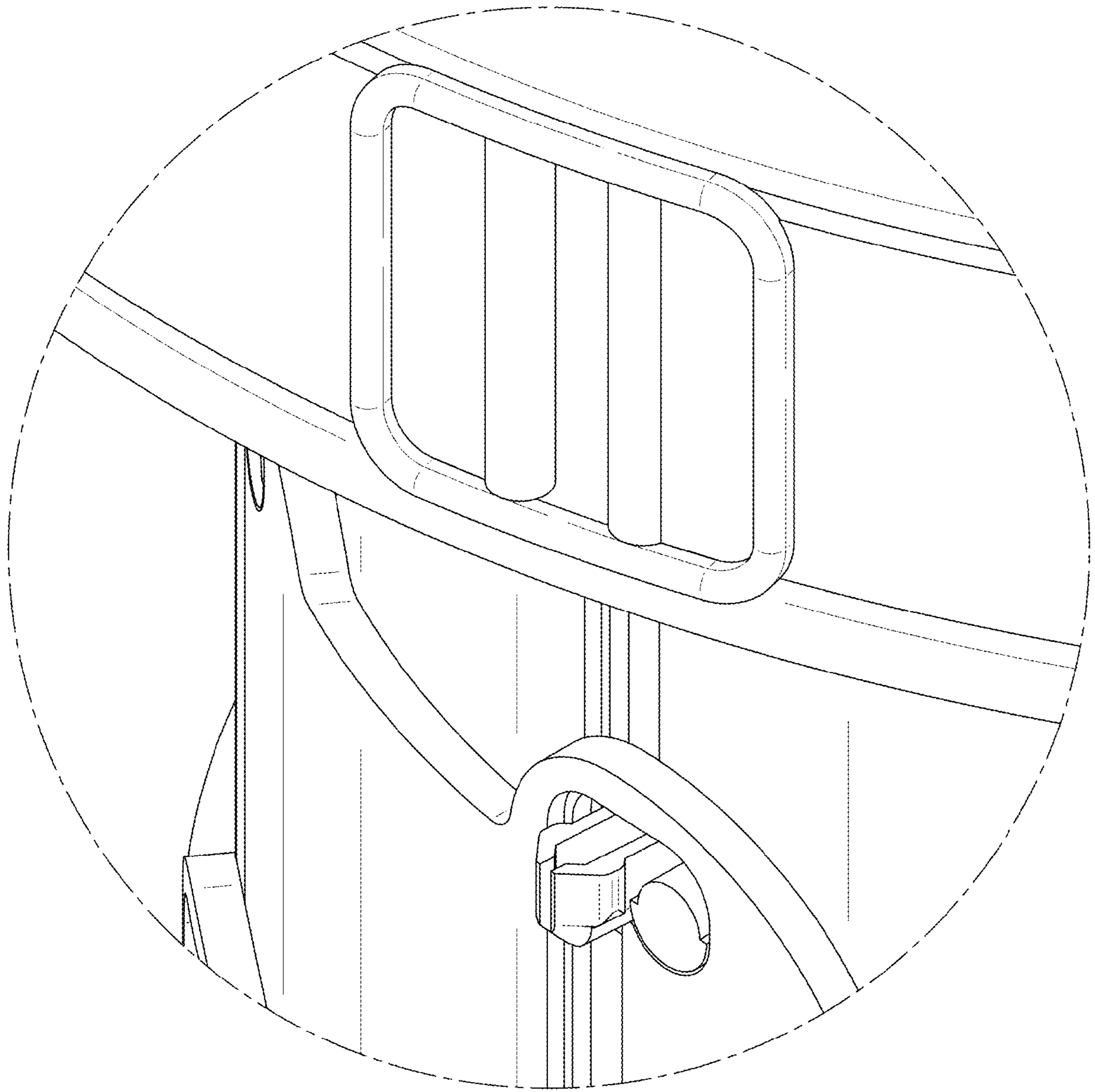


FIG. 10

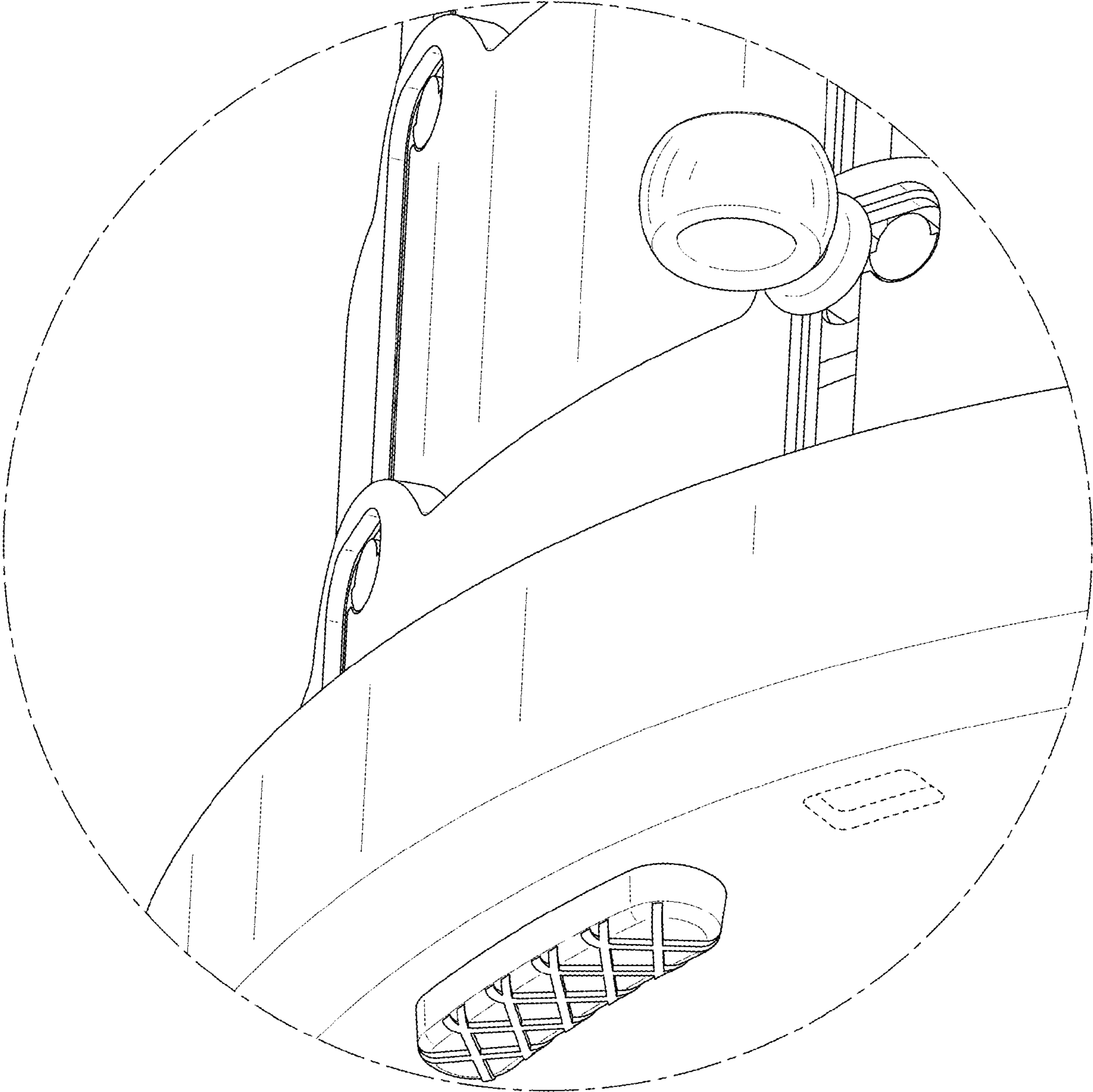


FIG. 11

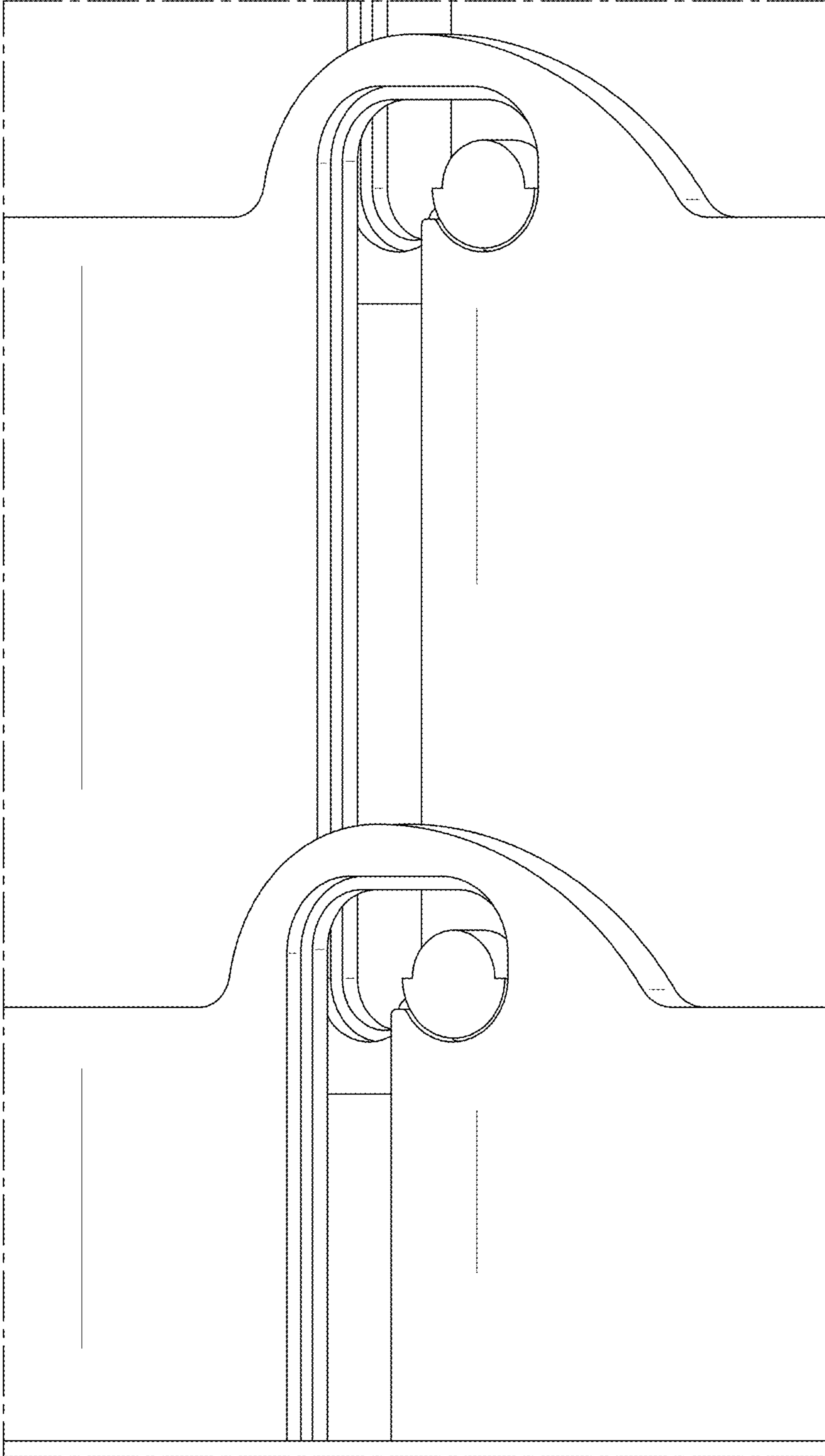


FIG. 12