



US00D878066S

(12) **United States Design Patent**
Lensing

(10) **Patent No.:** **US D878,066 S**
(45) **Date of Patent:** **** Mar. 17, 2020**

- (54) **STOOL WITH SLOTTED TRAY**
- (71) Applicant: **Patrick Lensing**, Van Buren, AR (US)
- (72) Inventor: **Patrick Lensing**, Van Buren, AR (US)
- (**) Term: **15 Years**
- (21) Appl. No.: **29/676,516**
- (22) Filed: **Jan. 11, 2019**
- (51) **LOC (12) Cl.** **06-01**
- (52) **U.S. Cl.**
USPC **D6/349; D6/336**
- (58) **Field of Classification Search**
USPC D6/334-338, 340-343, 349-353, 355,
D6/364-365, 691-691.9, 692-692.6,
D6/716-716.1, 717; D25/65
CPC A47B 7/00-02; A47C 11/00; A47C 12/00;
A47C 13/00; A47C 16/00; A47C
16/02-104; A47C 9/00-105; A47K 17/02;
A47K 17/028
See application file for complete search history.

(56) **References Cited**

U.S. PATENT DOCUMENTS

- D353,058 S * 12/1994 Dallas D34/23
- 6,010,187 A * 1/2000 Dallas A47C 7/62
108/94
- D456,647 S * 5/2002 Whiteside D34/23
- D463,143 S * 9/2002 Riddle D6/336
- 6,733,073 B2 * 5/2004 Whiteside A47C 7/62
211/119.07
- D511,416 S * 11/2005 Obbitts D34/23
- D530,108 S * 10/2006 Whiteside D6/349
- D555,920 S * 11/2007 Whiteside D6/349
- D579,679 S * 11/2008 Qian D6/349
- D586,132 S * 2/2009 Liuhong D6/335
- 7,658,442 B1 * 2/2010 Whiteside A47C 7/62
297/188.01
- D625,526 S * 10/2010 Liuhong D6/335

- D701,717 S * 4/2014 Whiteside D6/708
- 8,844,947 B1 * 9/2014 Whiteside B25H 5/00
280/32.6
- D750,391 S * 3/2016 Lensing D6/336

OTHER PUBLICATIONS

Traxion 2-432 Bigfoot Mechanics Seat. [online] Retrieved Nov. 8, 2019 from URL: <https://www.jbtools.com/traxion-2-432-bigfoot-mechanics-seat/>.*

Mychanic Fastback Shop Stool. [online] Published on Mar. 30, 2019. Retrieved Oct. 15, 2019 from URL: https://www.amazon.com/MYCHANIC-Fastback-Shop-Stool-Organizer/dp/B07PBY621X/ref=lp_15707971_1_12?s=automotive&ie=UTF8&qid=1571247570&sr=1-12.*

* cited by examiner

Primary Examiner — Vy N Koenig
(74) *Attorney, Agent, or Firm* — Keisling + Pieper PLC;
Trent C. Keisling

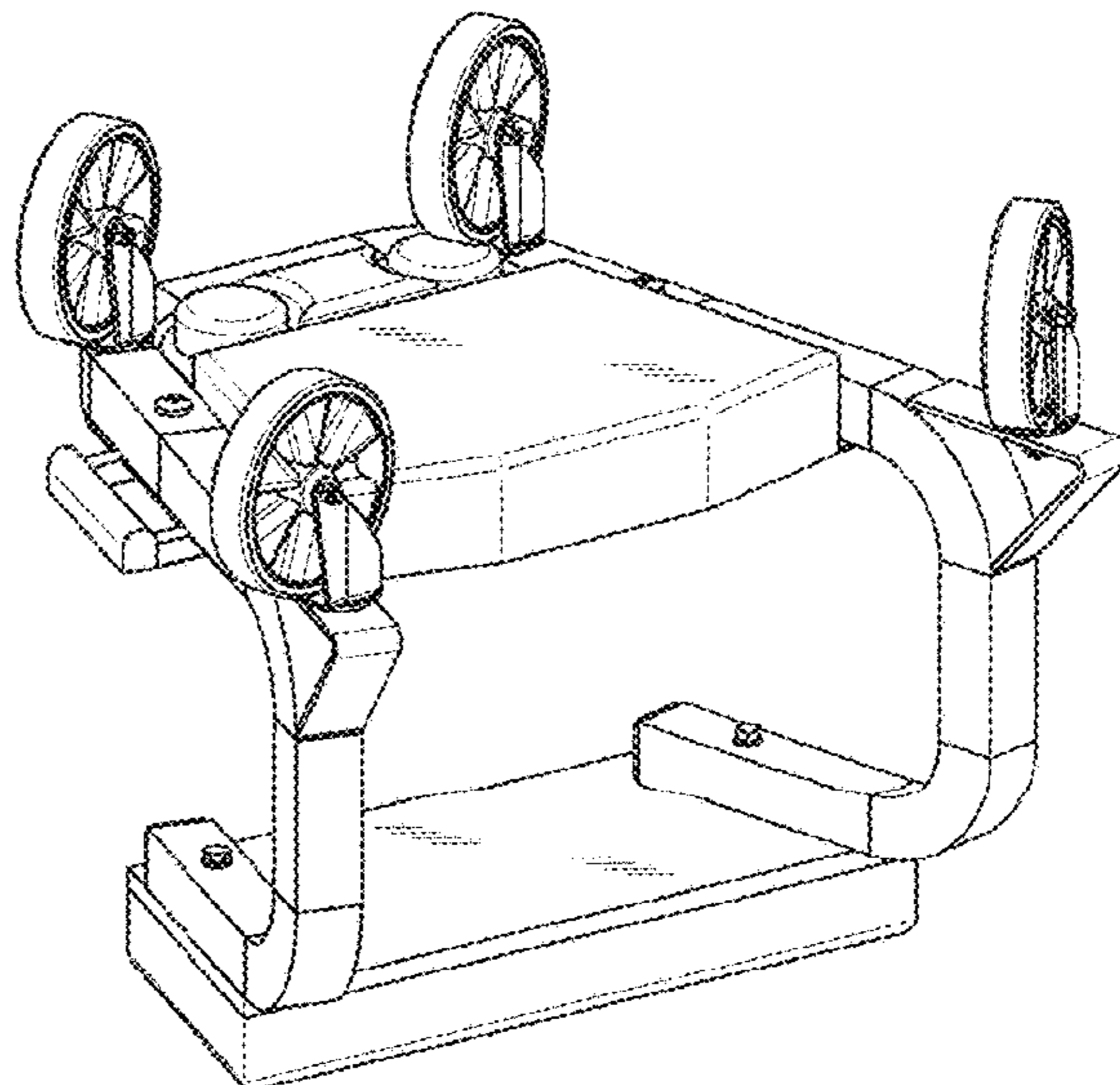
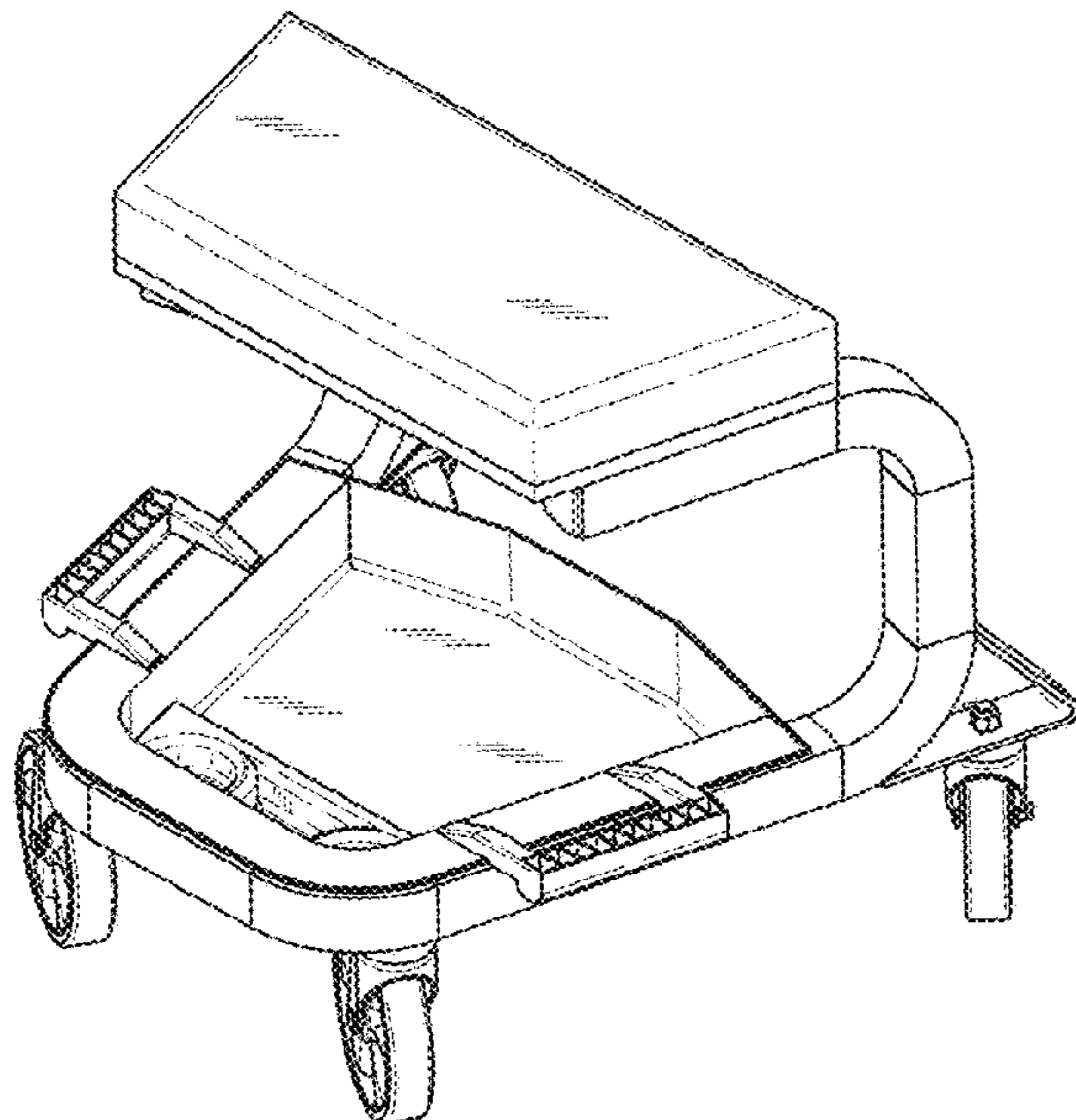
(57) **CLAIM**

The ornamental design for a stool with slotted tray, as shown and described.

DESCRIPTION

FIG. 1 is a perspective view taken from the top right of a stool with slotted tray showing my new design;
FIG. 2 is perspective view taken from the bottom left thereof;
FIG. 3 is a front elevational view thereof;
FIG. 4 is a back elevational view thereof;
FIG. 5 is a left elevational view thereof;
FIG. 6 is a right elevational view thereof;
FIG. 7 is a top plan view thereof; and,
FIG. 8 is a bottom plan view thereof.

1 Claim, 3 Drawing Sheets



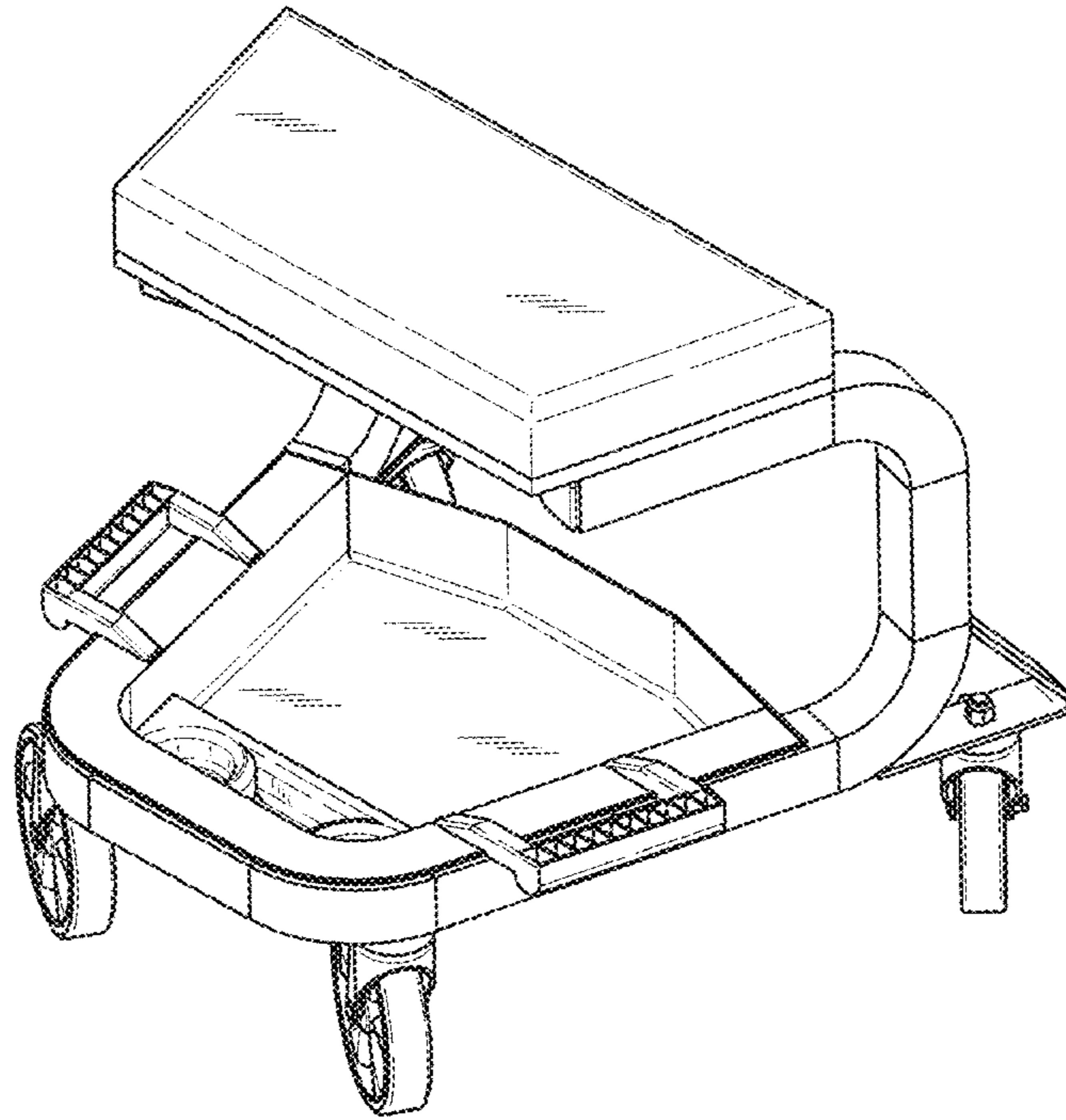


FIG. 1

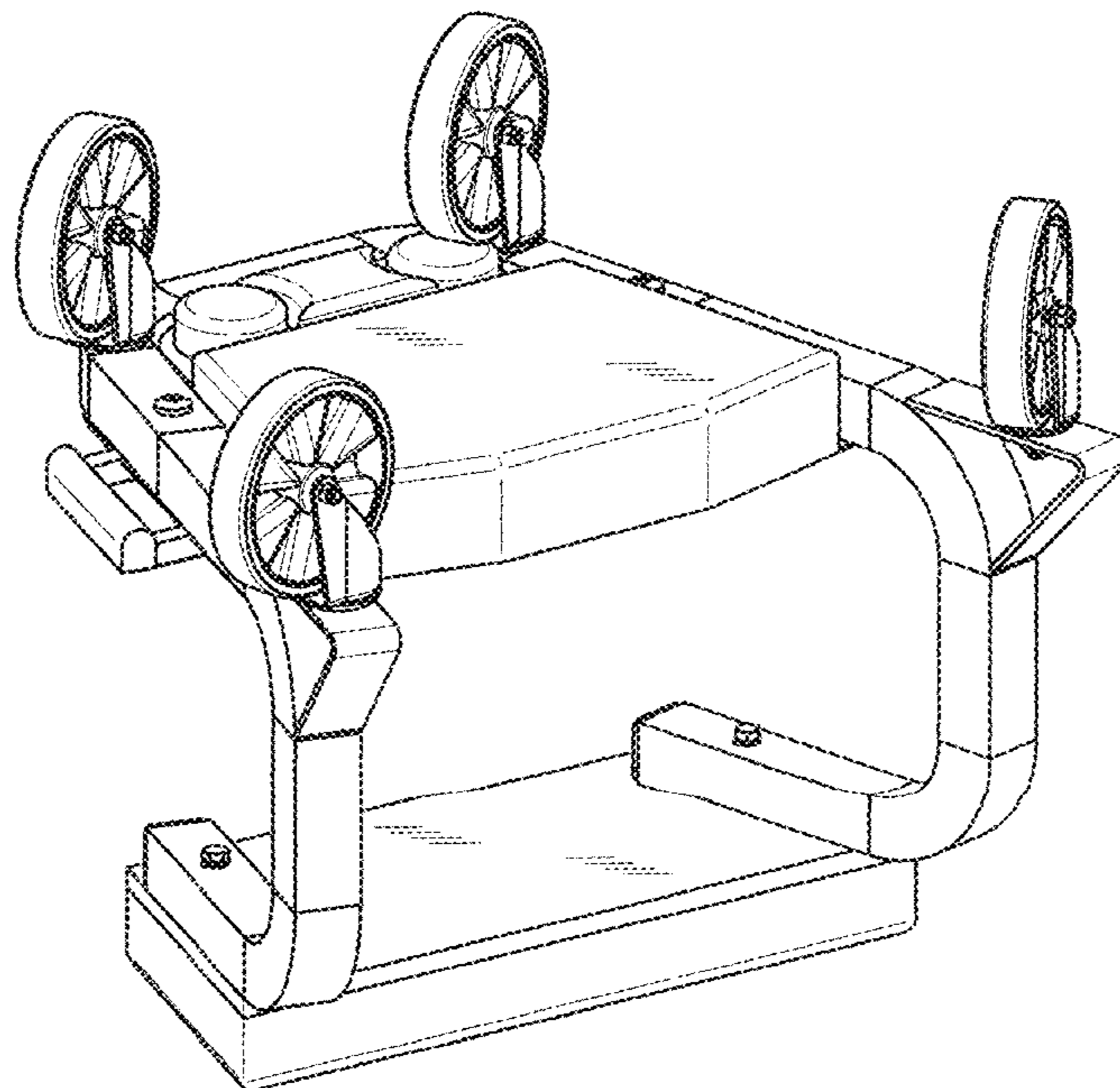


FIG. 2

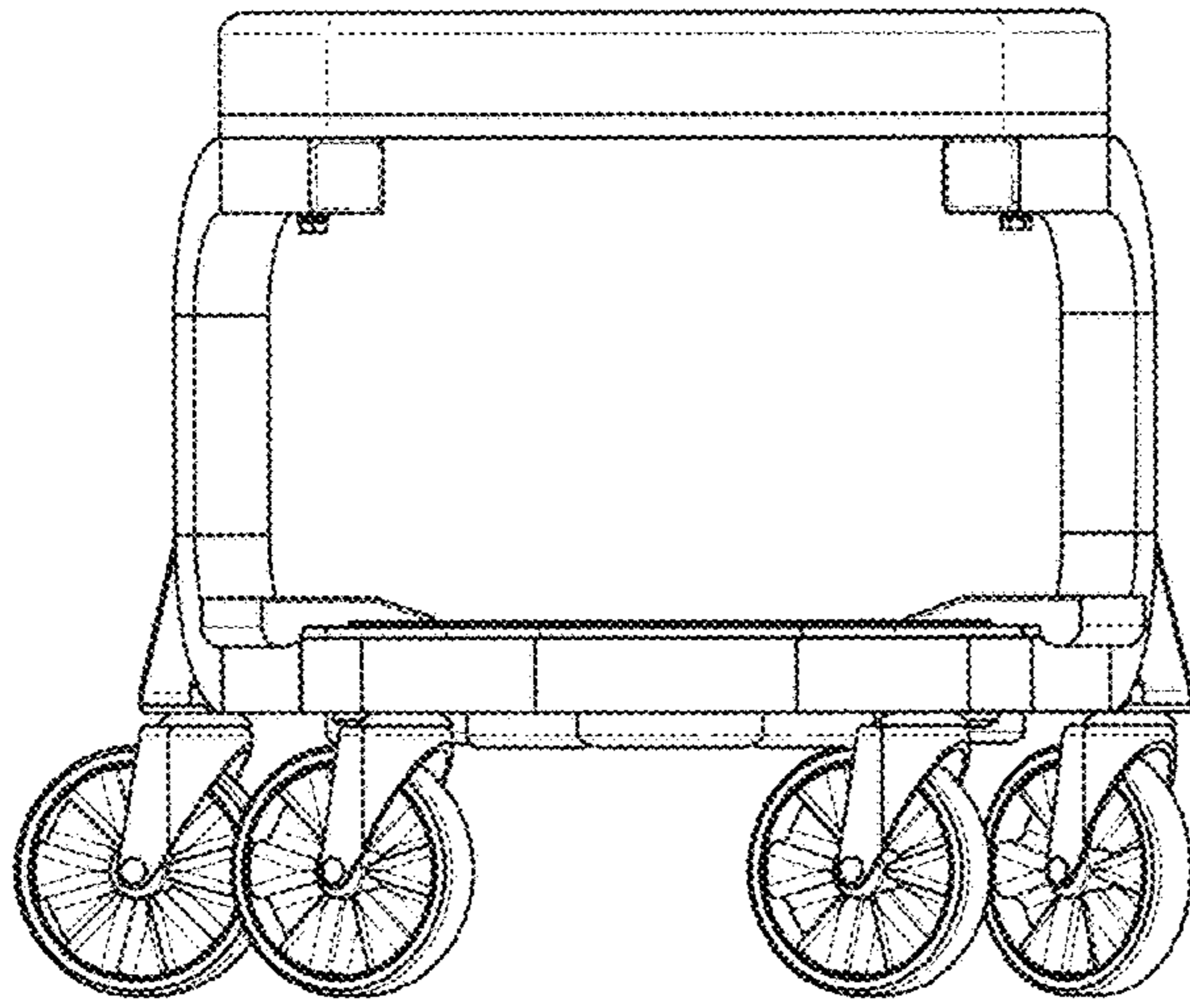


FIG. 3

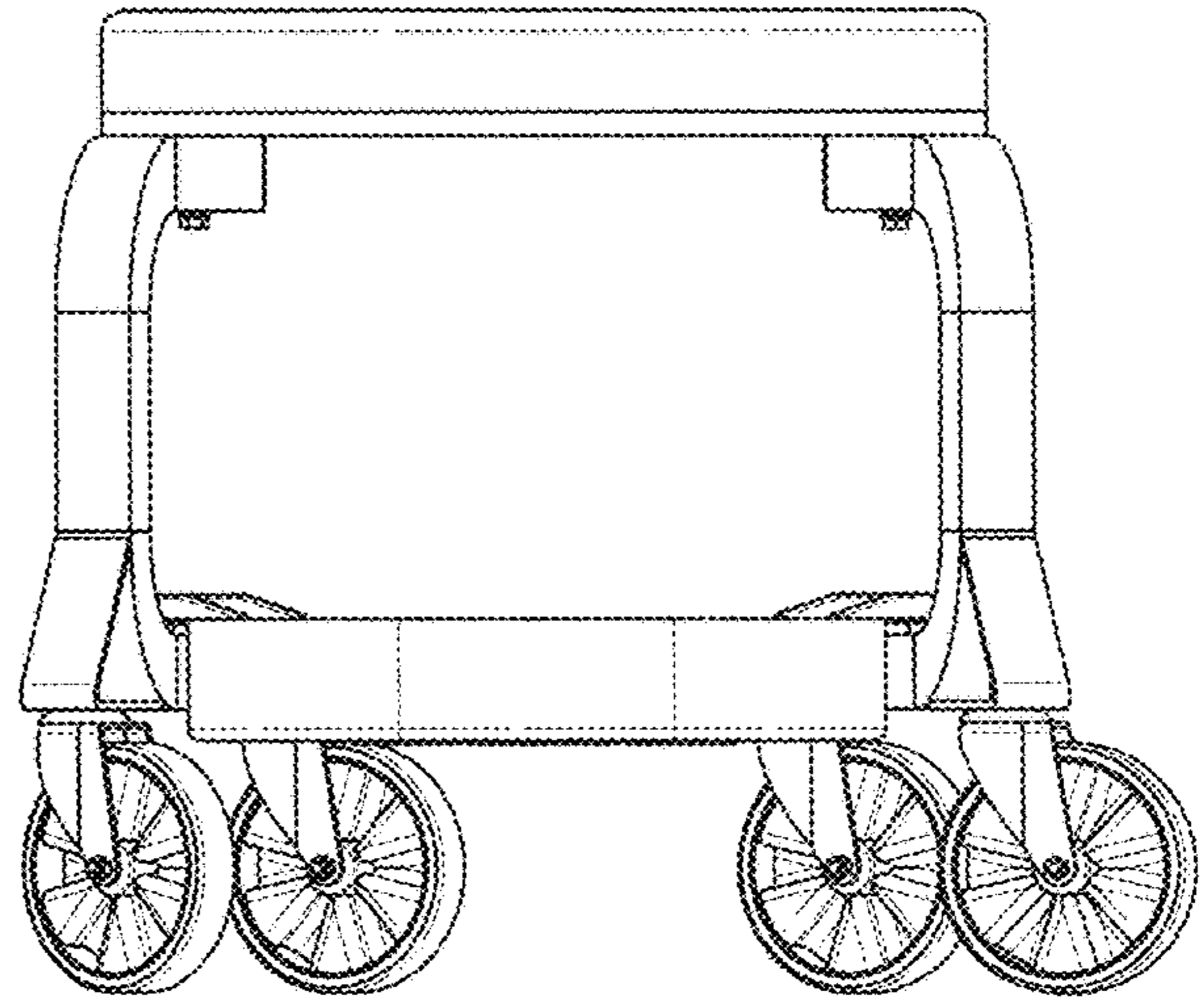


FIG. 4

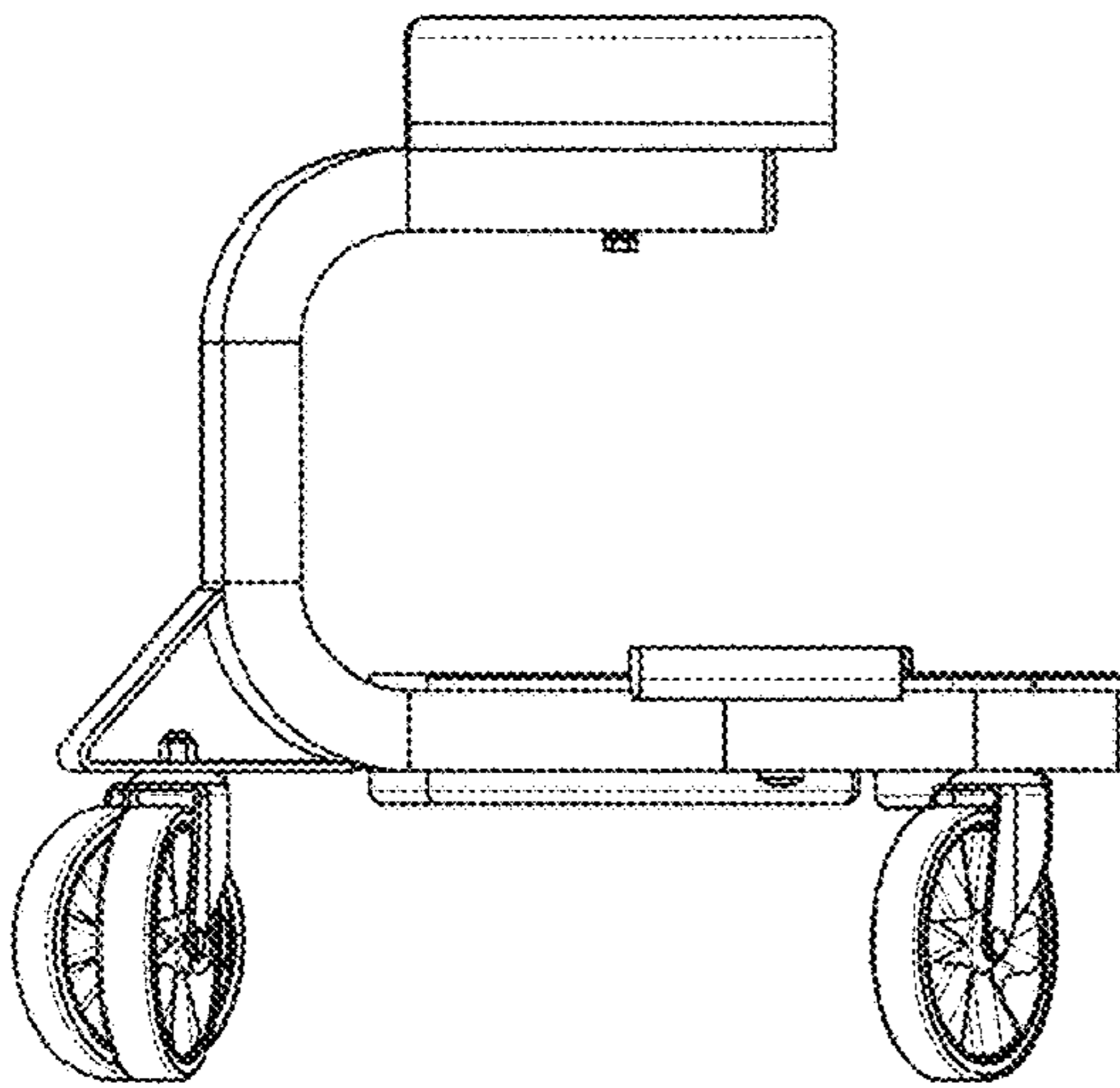


FIG. 5

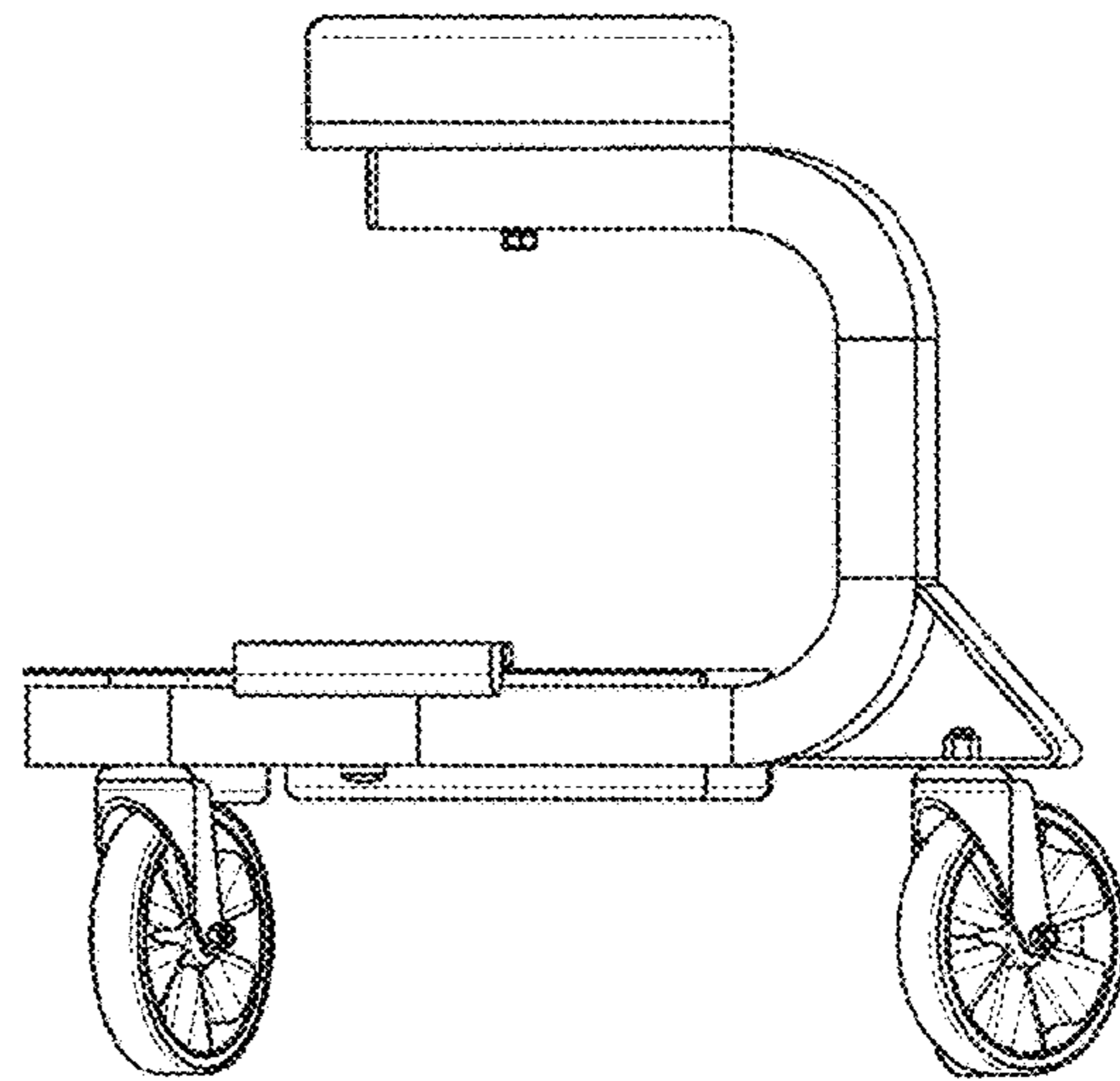


FIG. 6

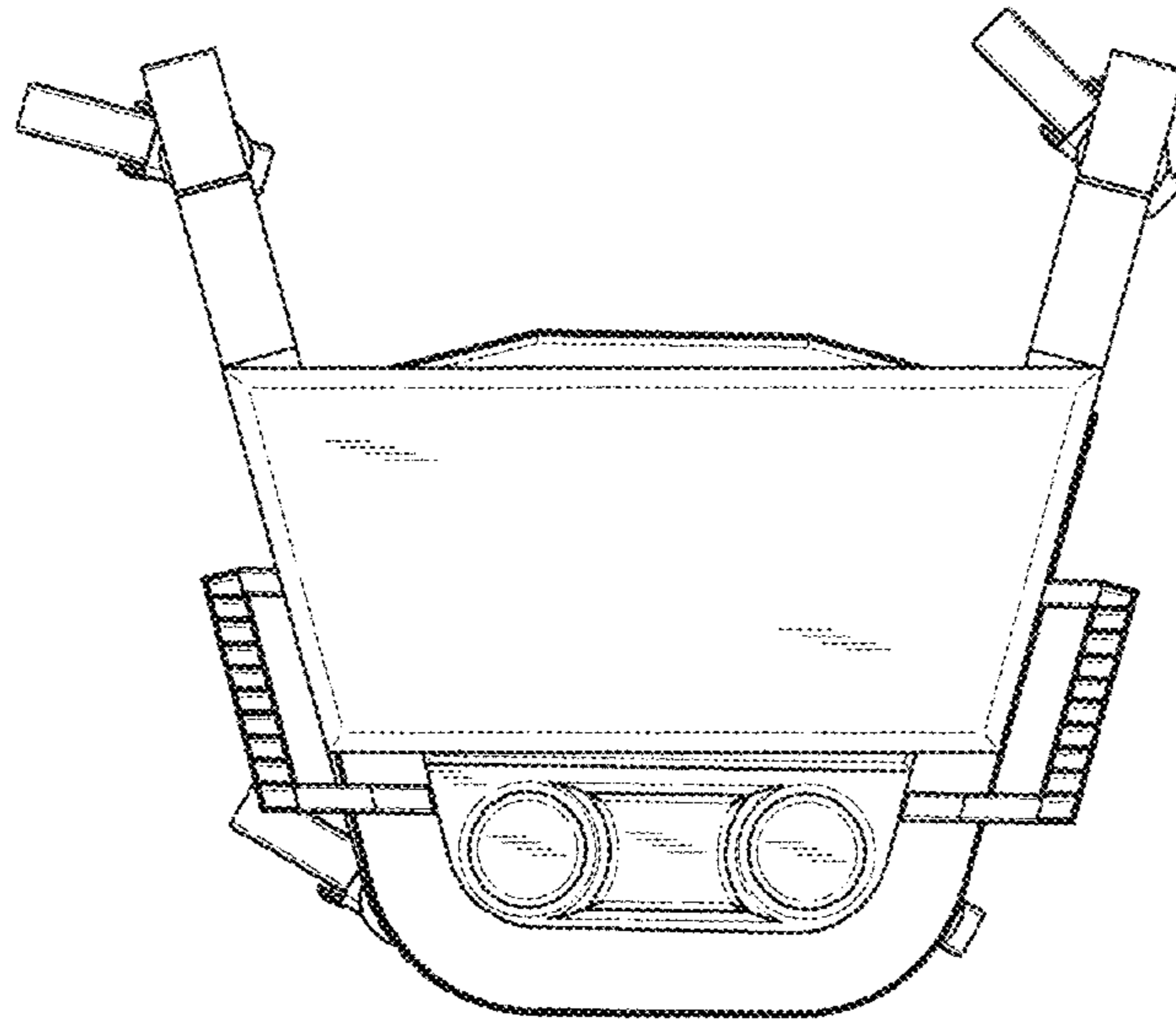


FIG. 7

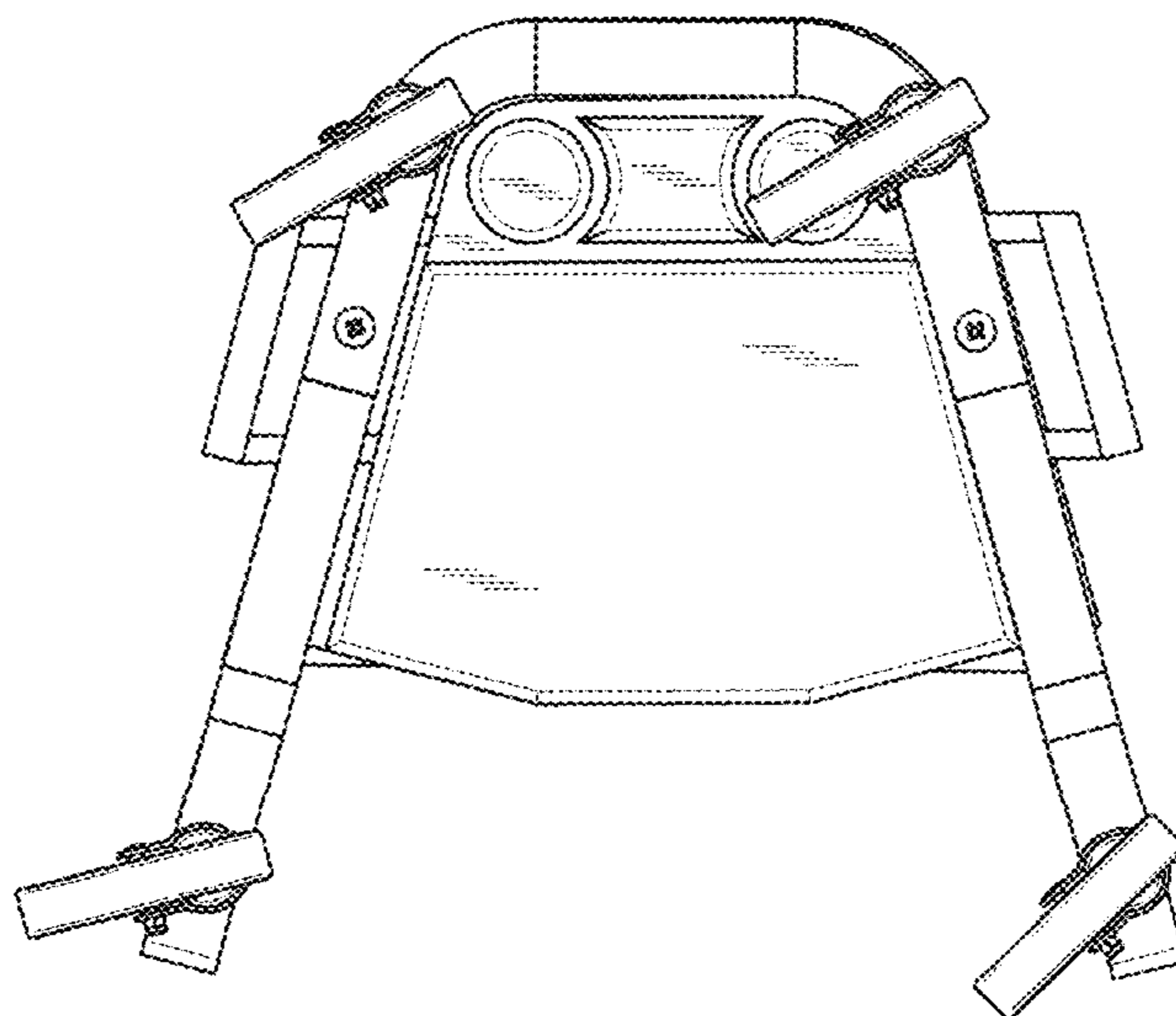


FIG. 8