



US00D878065S

(12) **United States Design Patent**
Ji

(10) **Patent No.:** **US D878,065 S**

(45) **Date of Patent:** **** Mar. 17, 2020**

(54) **COUCH-CHAIR ASSEMBLY**

(71) Applicant: **FreeStyle International Co. Ltd.**,
Ningbo (CN)

(72) Inventor: **Jin Ji**, Ningbo (CN)

(**) Term: **15 Years**

(21) Appl. No.: **29/634,014**

(22) Filed: **Jan. 17, 2018**

(51) **LOC (12) Cl.** **06-01**

(52) **U.S. Cl.**
USPC **D6/335**

(58) **Field of Classification Search**
USPC D6/334, 335, 336, 366, 367, 369, 370,
D6/374, 375-381

CPC A47C 3/04; A47C 17/00; A47C 17/02;
A47C 17/04; A47C 17/13; A47C 17/132;
A47C 17/136; A47C 17/34

See application file for complete search history.

(56) **References Cited**

U.S. PATENT DOCUMENTS

1,660,119	A	*	2/1928	Decker	A47C 13/00 446/69
D103,416	S	*	3/1937	Tyrrell	D6/381
D219,443	S	*	12/1970	Hubel	D6/335
D422,156	S	*	4/2000	Black	D6/334
D422,422	S	*	4/2000	Black	D6/334
D434,572	S	*	12/2000	Christa	D6/335
D485,086	S	*	1/2004	Gomez	D6/381
D504,247	S	*	4/2005	Ricci	D6/369
D587,024	S	*	2/2009	Turco-Rivas	D6/336
D650,605	S	*	12/2011	Haimoff	D6/369
D660,029	S	*	5/2012	Nguyen	D6/361
D660,033	S	*	5/2012	Nguyen	D6/369
D660,610	S	*	5/2012	Nguyen	D6/369
D661,917	S	*	6/2012	Citterio	D6/369
D668,465	S	*	10/2012	Adir	D6/369
D673,380	S	*	1/2013	Lade	D6/336

D698,179	S	*	1/2014	Nguyen	D6/381
D698,562	S	*	2/2014	Hartman	D6/369
D751,310	S	*	3/2016	Schroeder	D6/364
D751,311	S	*	3/2016	Schroeder	D6/364
D794,969	S	*	8/2017	Leibovics	D6/335
D801,708	S	*	11/2017	Petrucelli	D6/335
D806,413	S	*	1/2018	Zinger	D6/349
D806,424	S	*	1/2018	Bougay	D6/369
D807,655	S	*	1/2018	Webb	D6/335
D807,660	S	*	1/2018	Hughes	D6/381
D815,851	S	*	4/2018	Rafieha	D6/381

(Continued)

Primary Examiner — Deanna L Pratt

(74) *Attorney, Agent, or Firm* — Themis Law

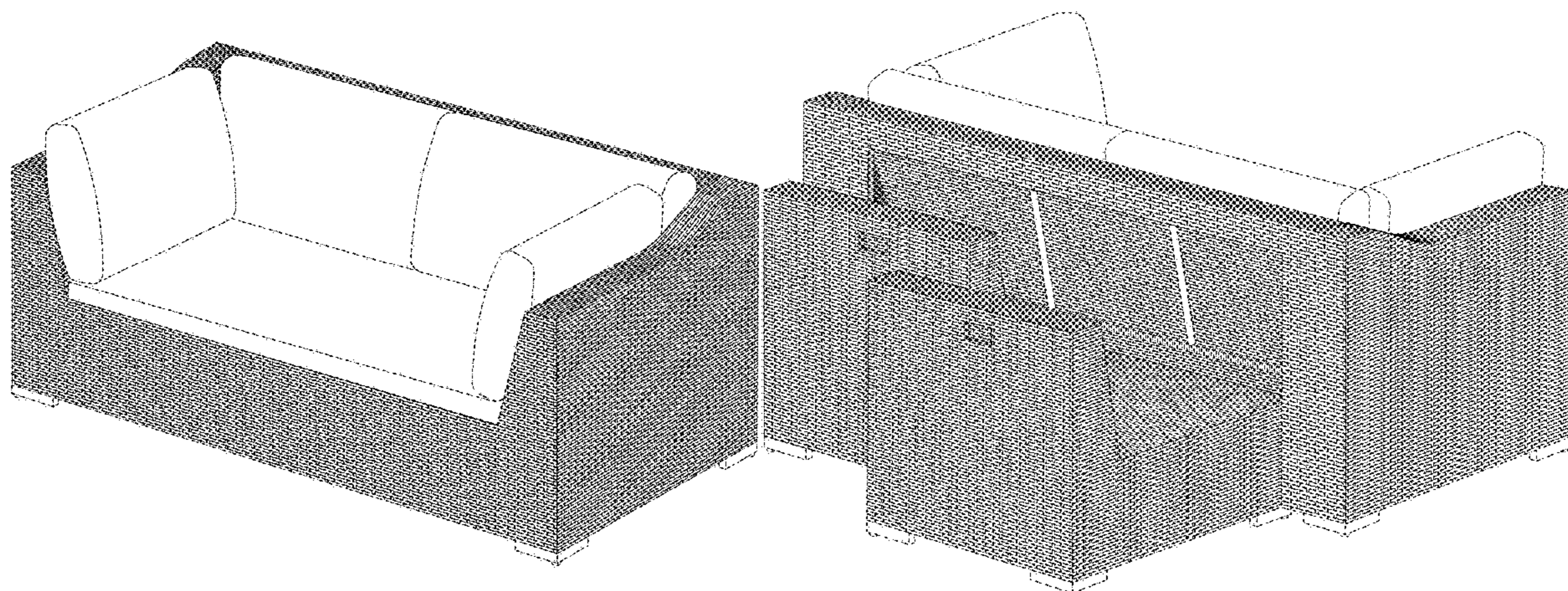
(57) **CLAIM**

The ornamental design for a couch-chair assembly, as shown and described.

DESCRIPTION

FIG. 1 is a perspective view of a couch-chair assembly showing my new design;
 FIG. 2 is rear perspective view thereof;
 FIG. 3 is a front view thereof;
 FIG. 4 is a right side view thereof, the left side view being a mirror image;
 FIG. 5 is a top view thereof;
 FIG. 6 is a rear perspective view thereof showing a first example of use;
 FIG. 7 is a top view thereof according to the example of use of FIG. 6;
 FIG. 8 is a front perspective view thereof showing a second example of use;
 FIG. 9 is a front perspective view thereof showing a third example of use;
 FIG. 10 is a front perspective view thereof showing a fourth example of use; and,
 FIG. 11 is a top view thereof according to the example of use of FIG. 10.

1 Claim, 11 Drawing Sheets



(56)

References Cited

U.S. PATENT DOCUMENTS

D819,997 S *	6/2018	Rafieha	D6/369
D842,619 S *	3/2019	Ji	D6/369
D843,748 S *	3/2019	Aubry	D6/369
D844,339 S *	4/2019	Ji	D6/369

* cited by examiner

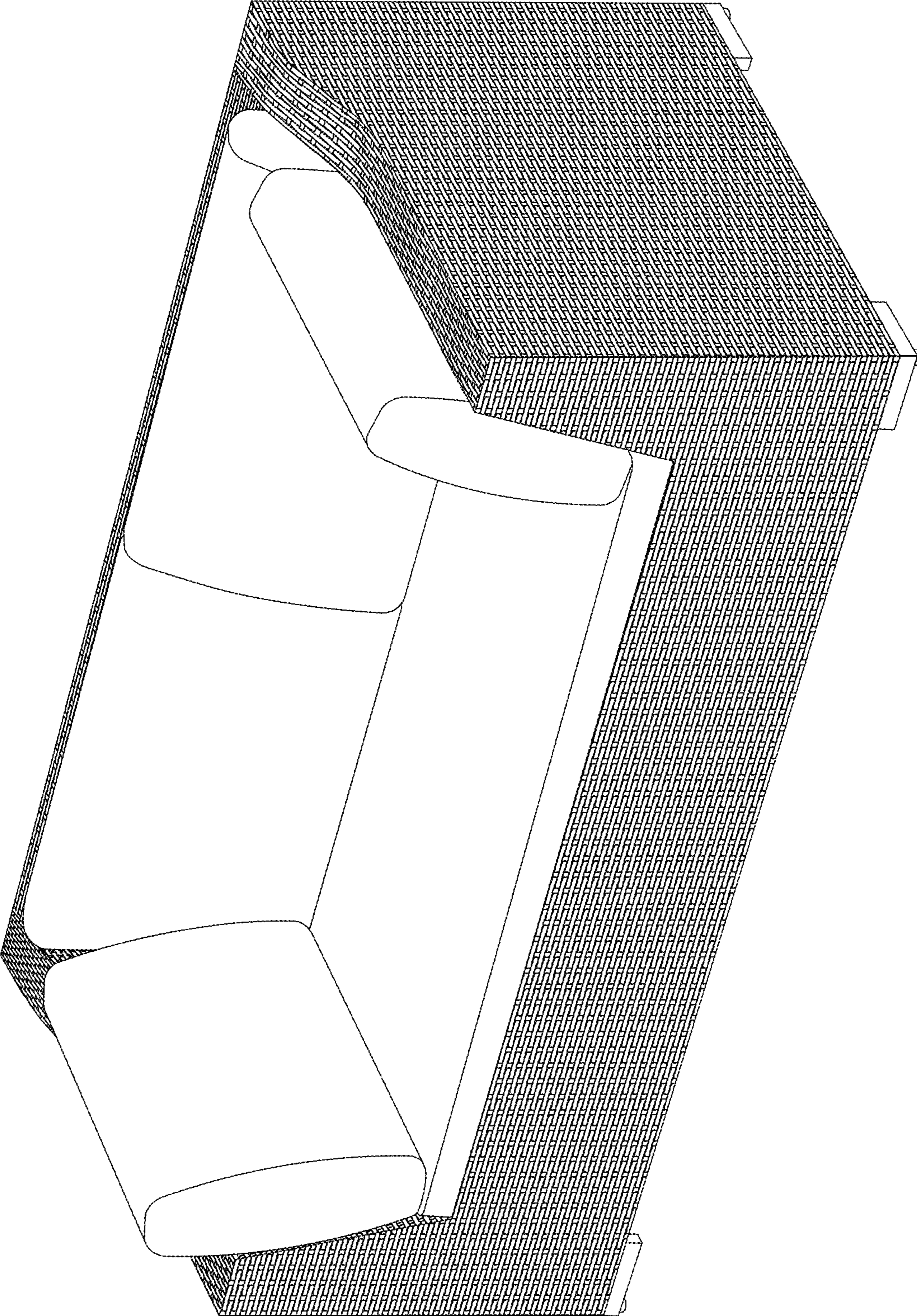


FIG. 1

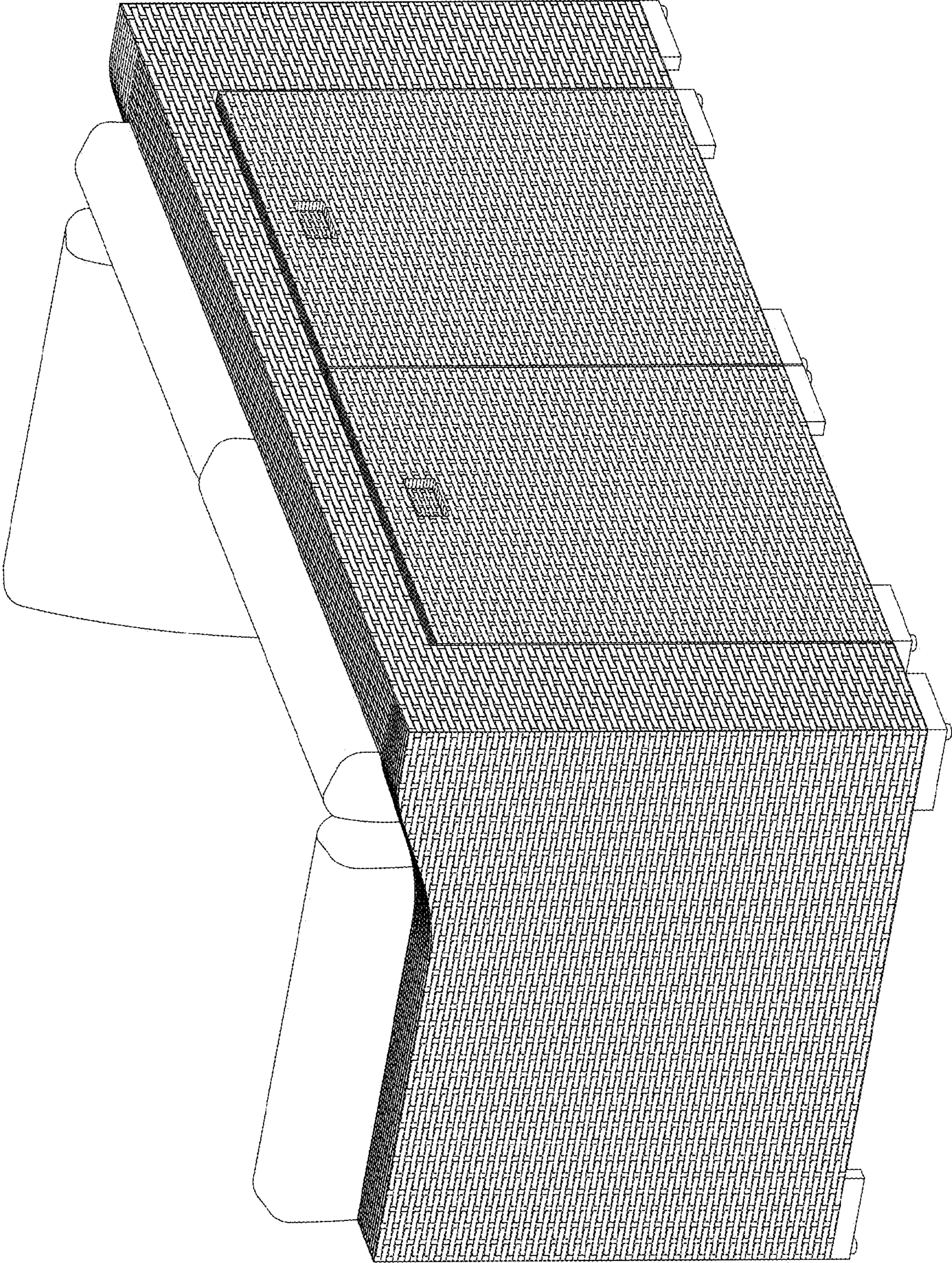


FIG. 2

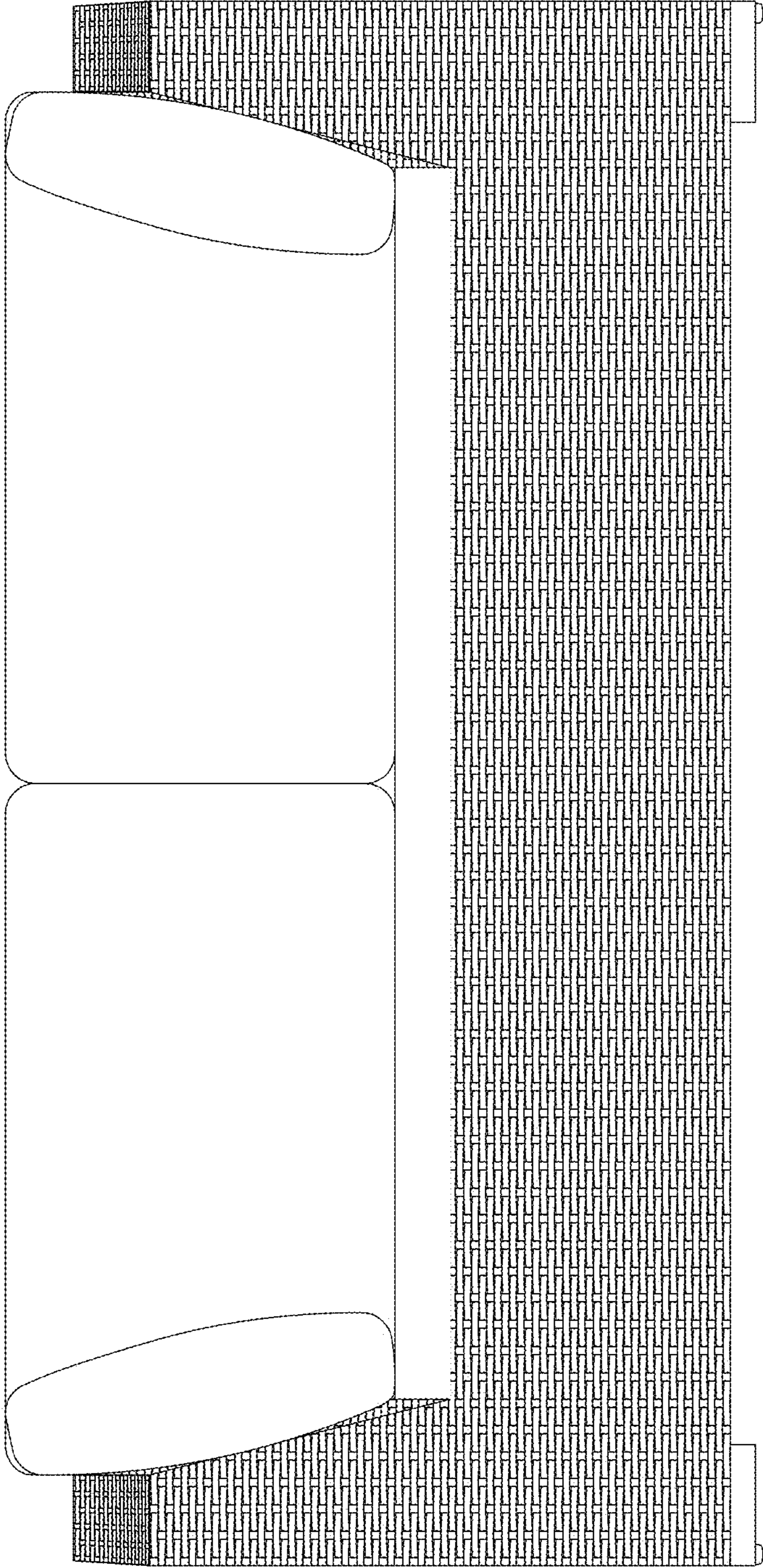


FIG. 3

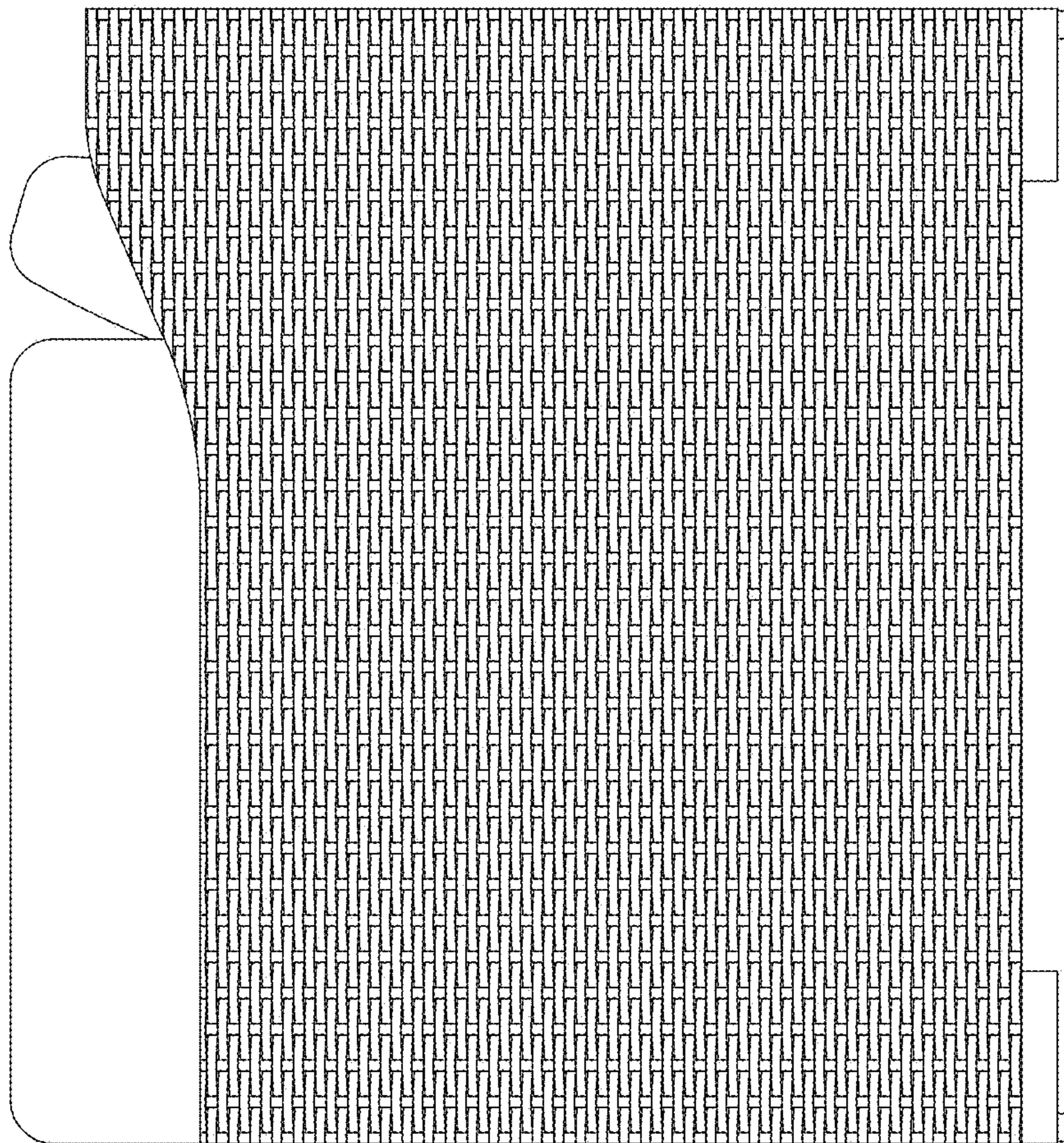


FIG. 4

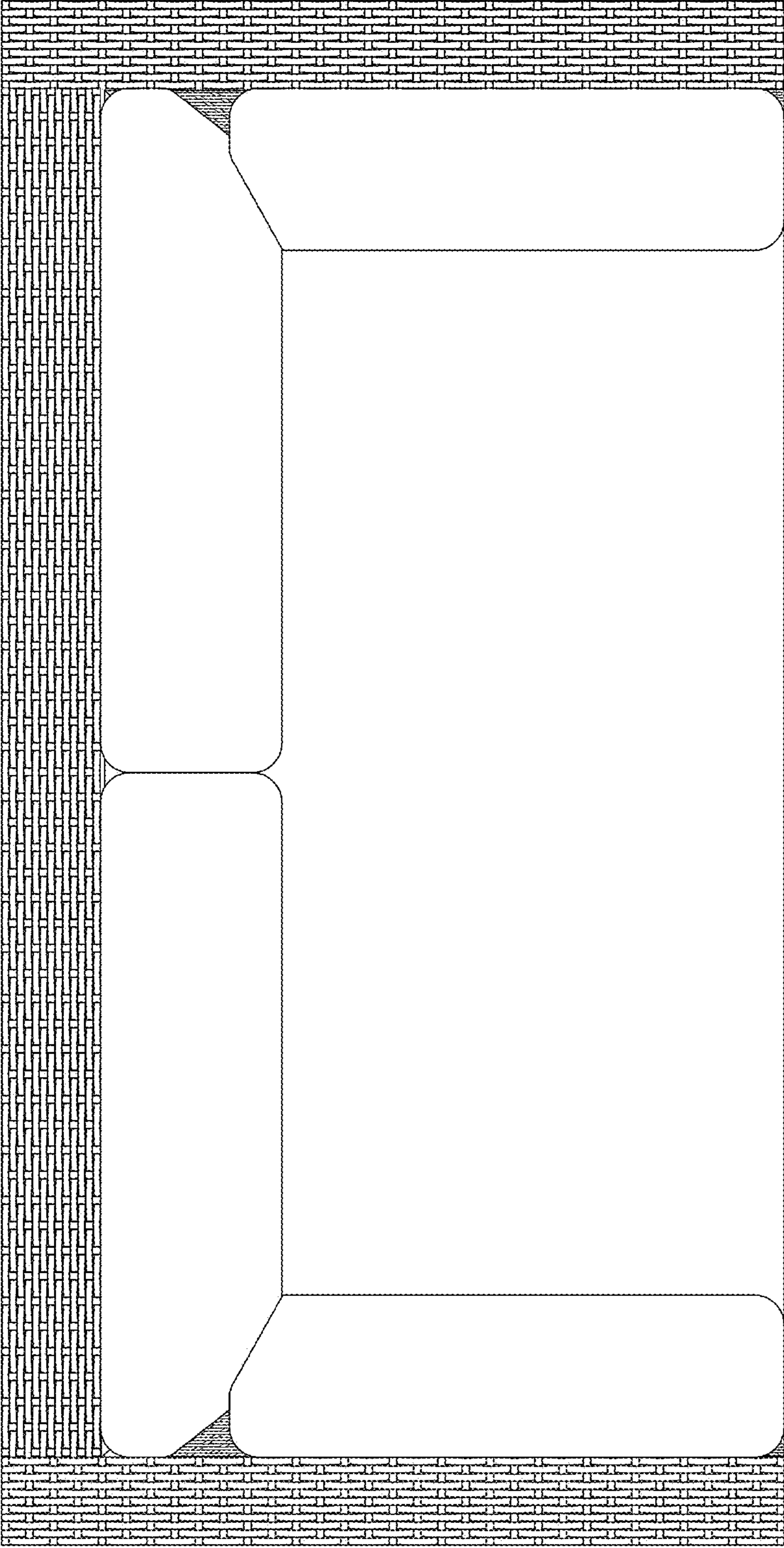


FIG. 5

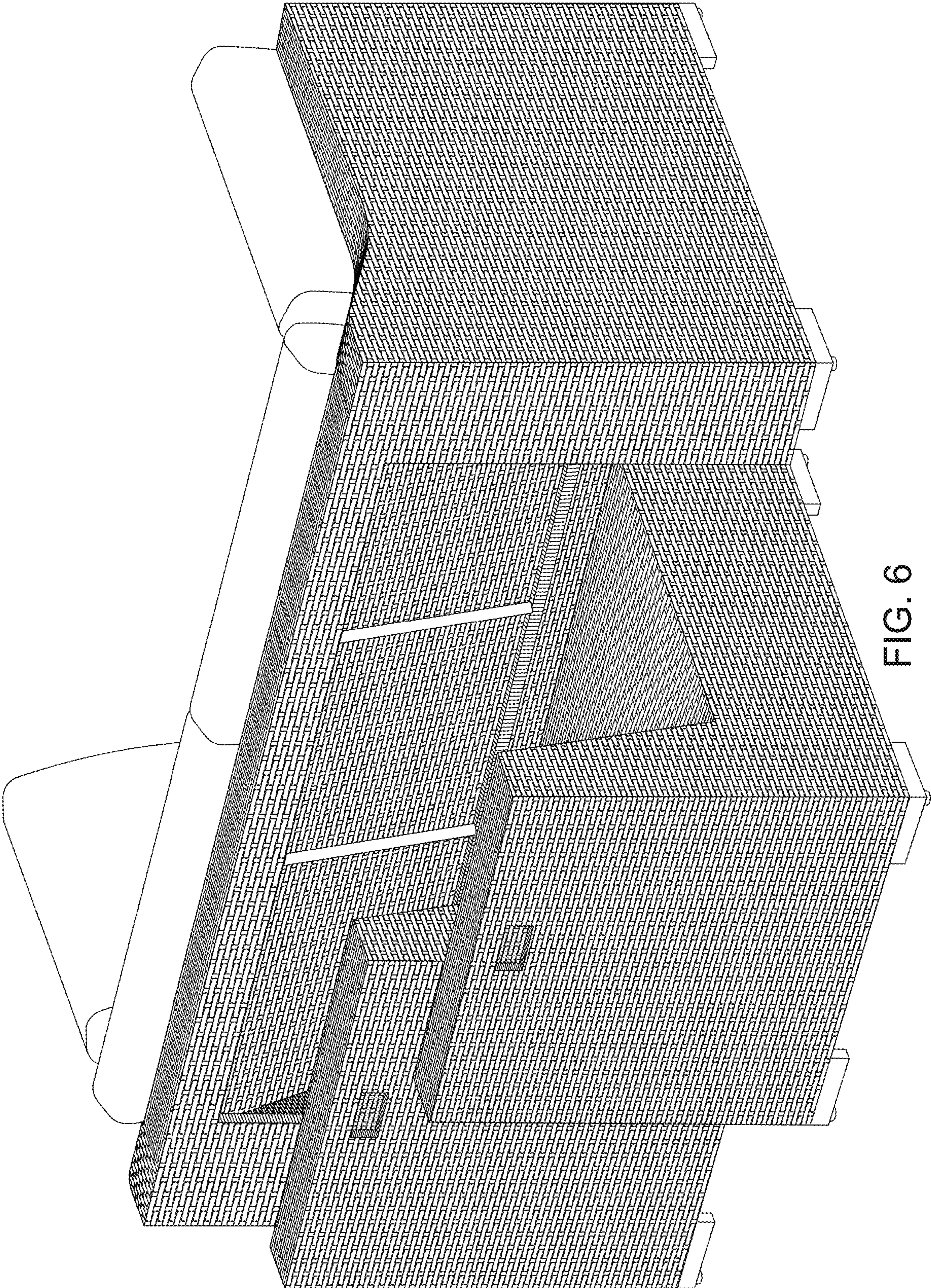


FIG. 6

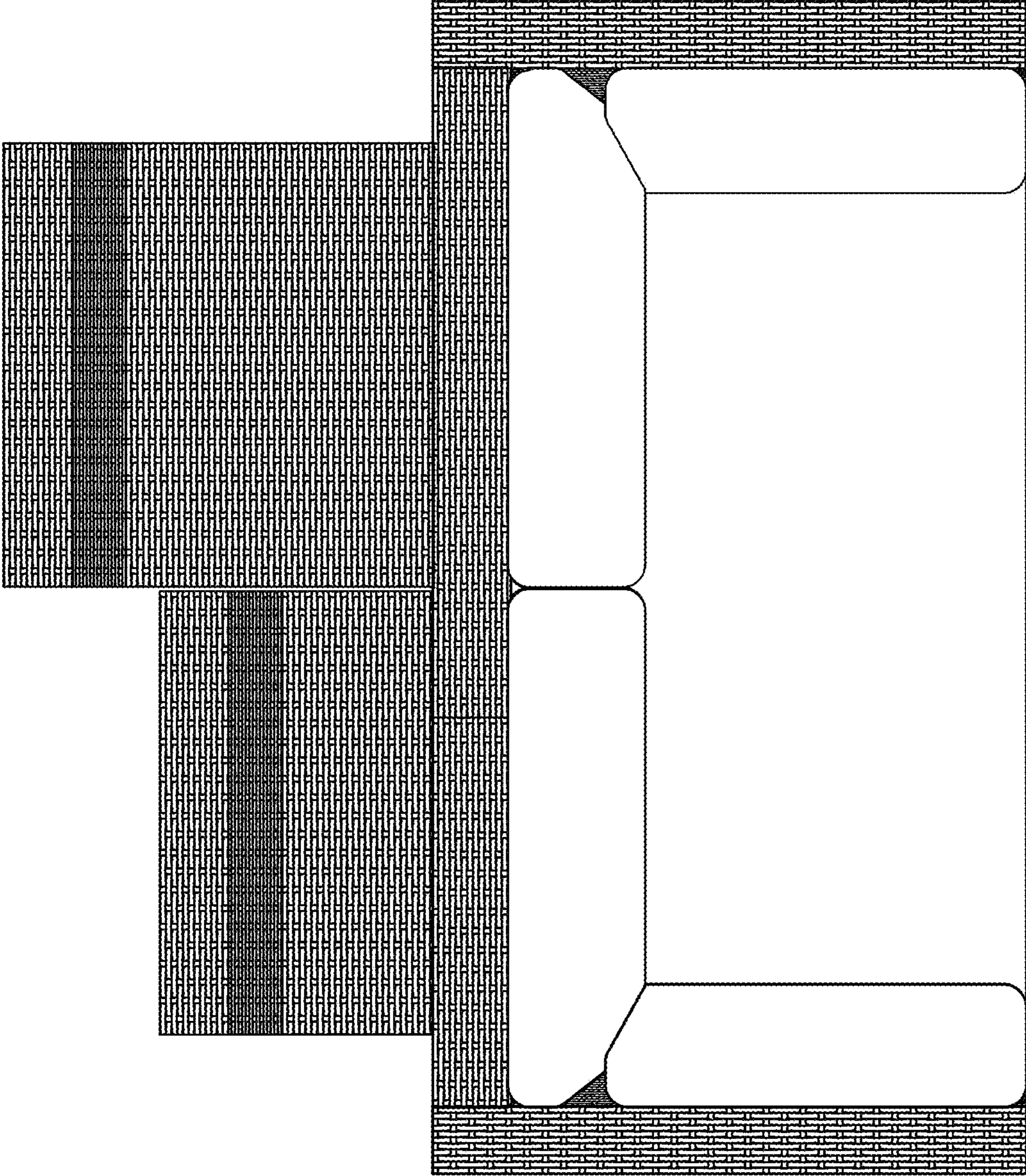


FIG. 7

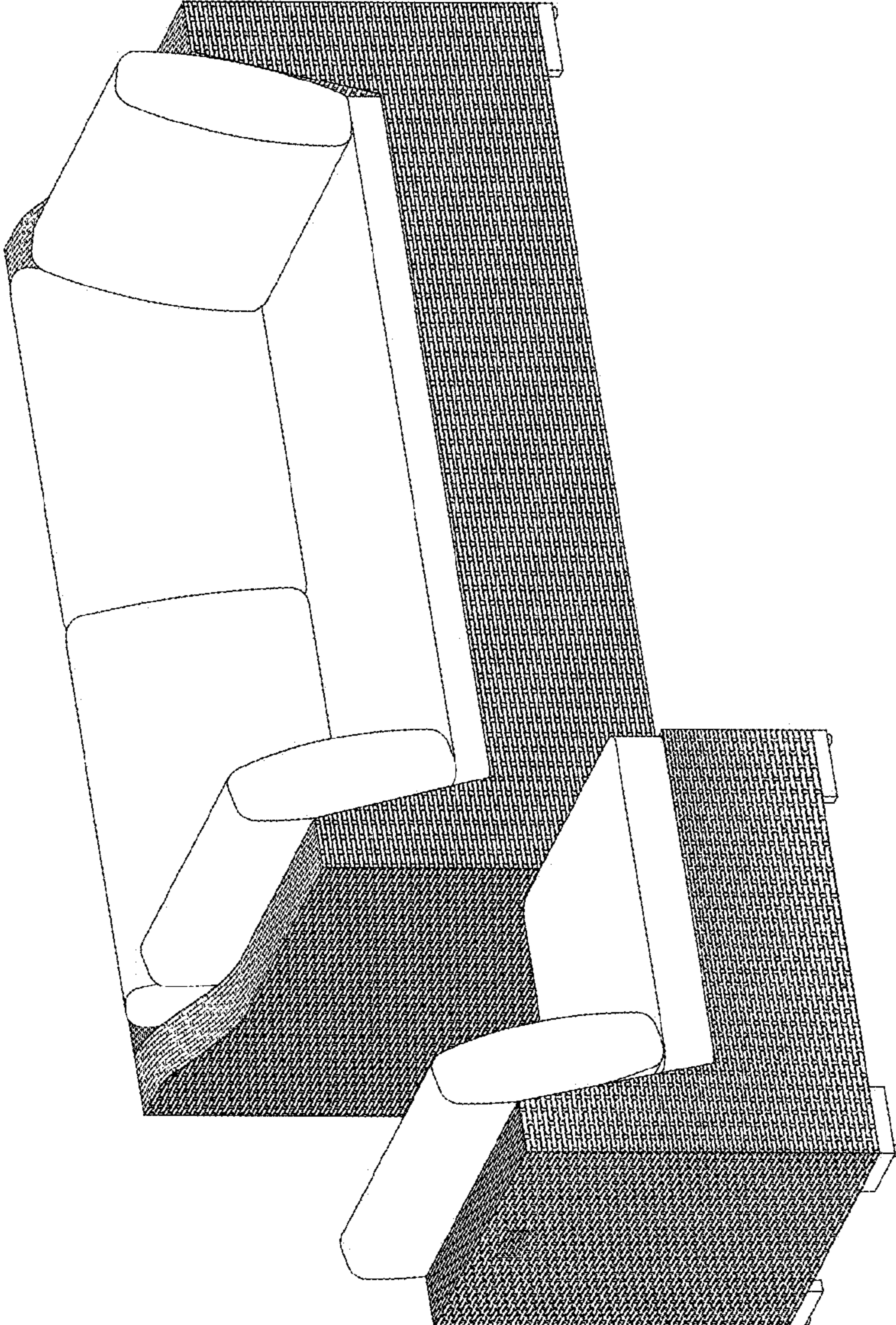
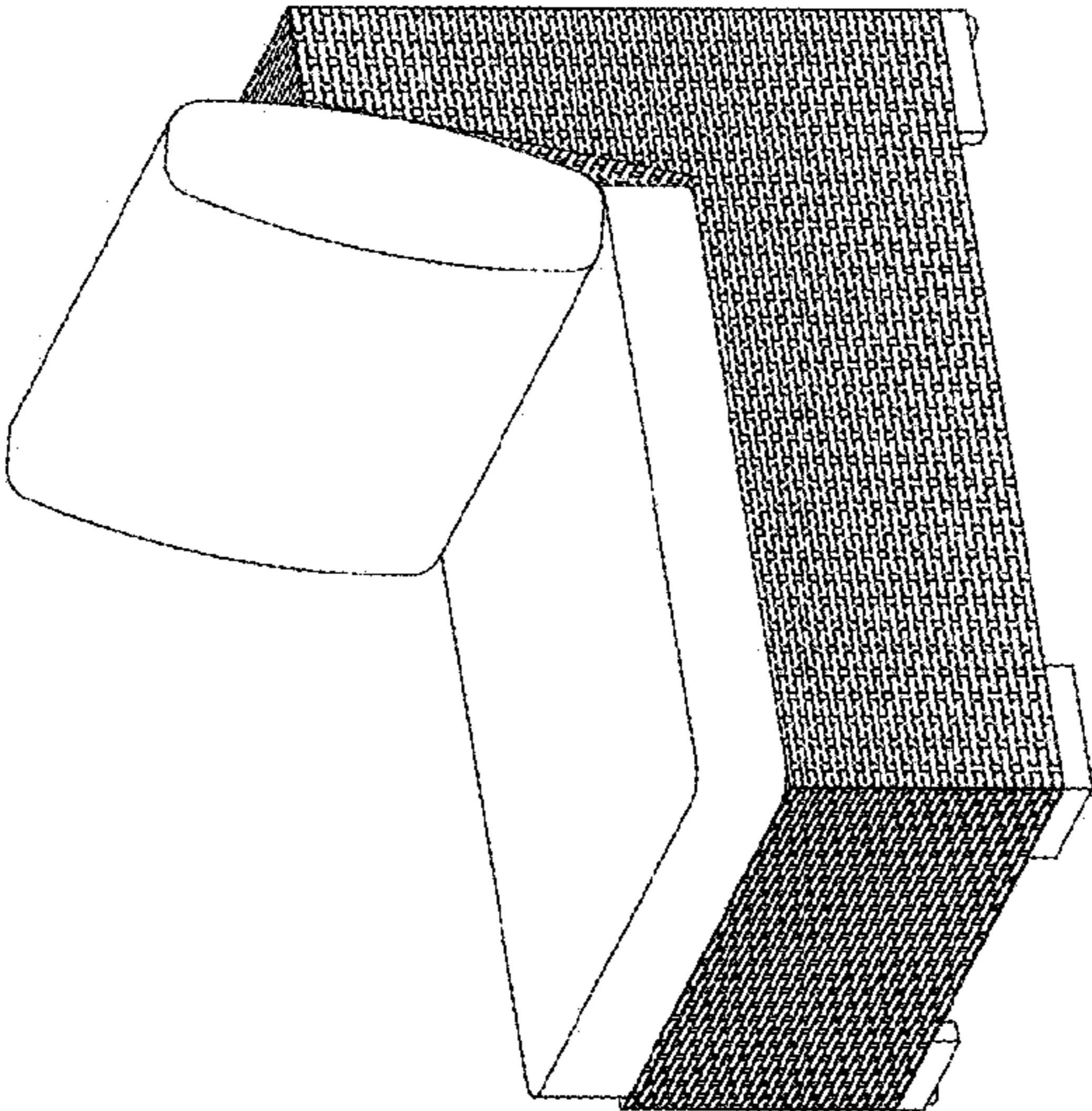


FIG. 8

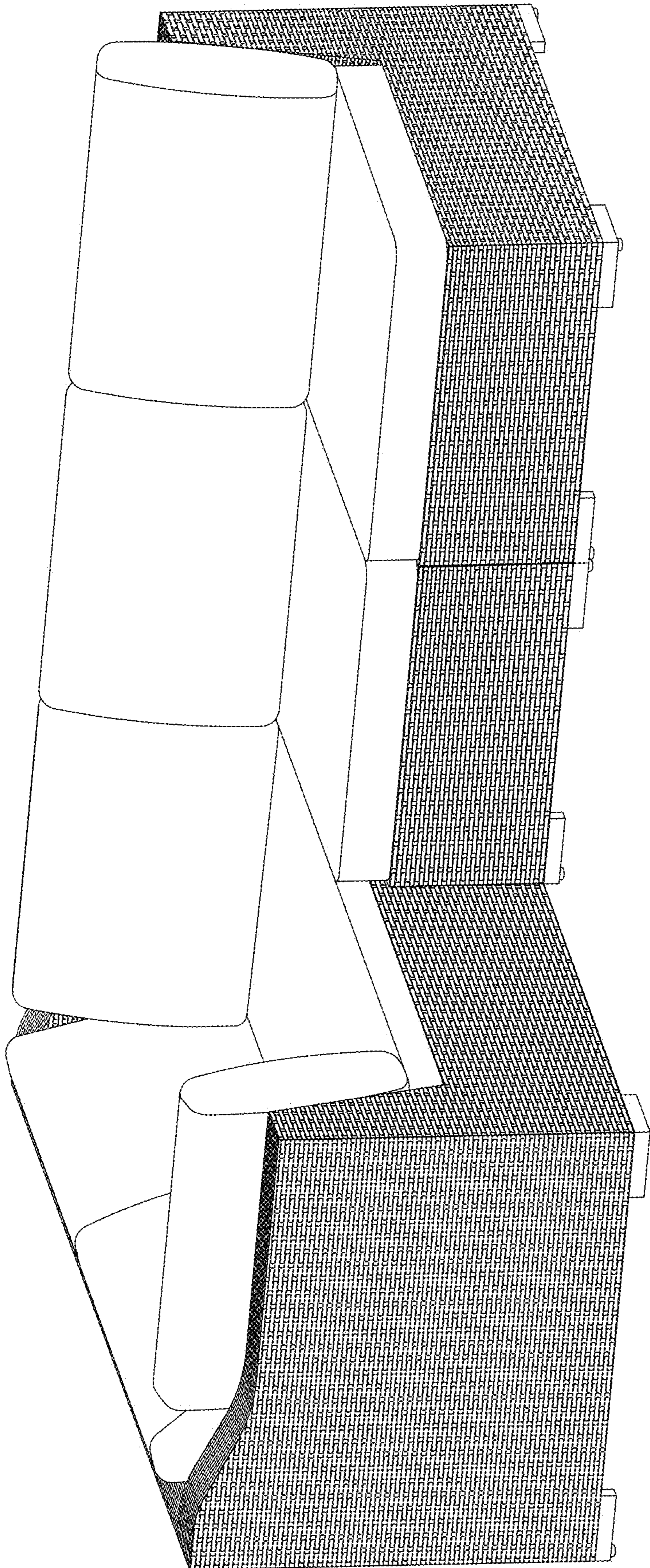


FIG. 9

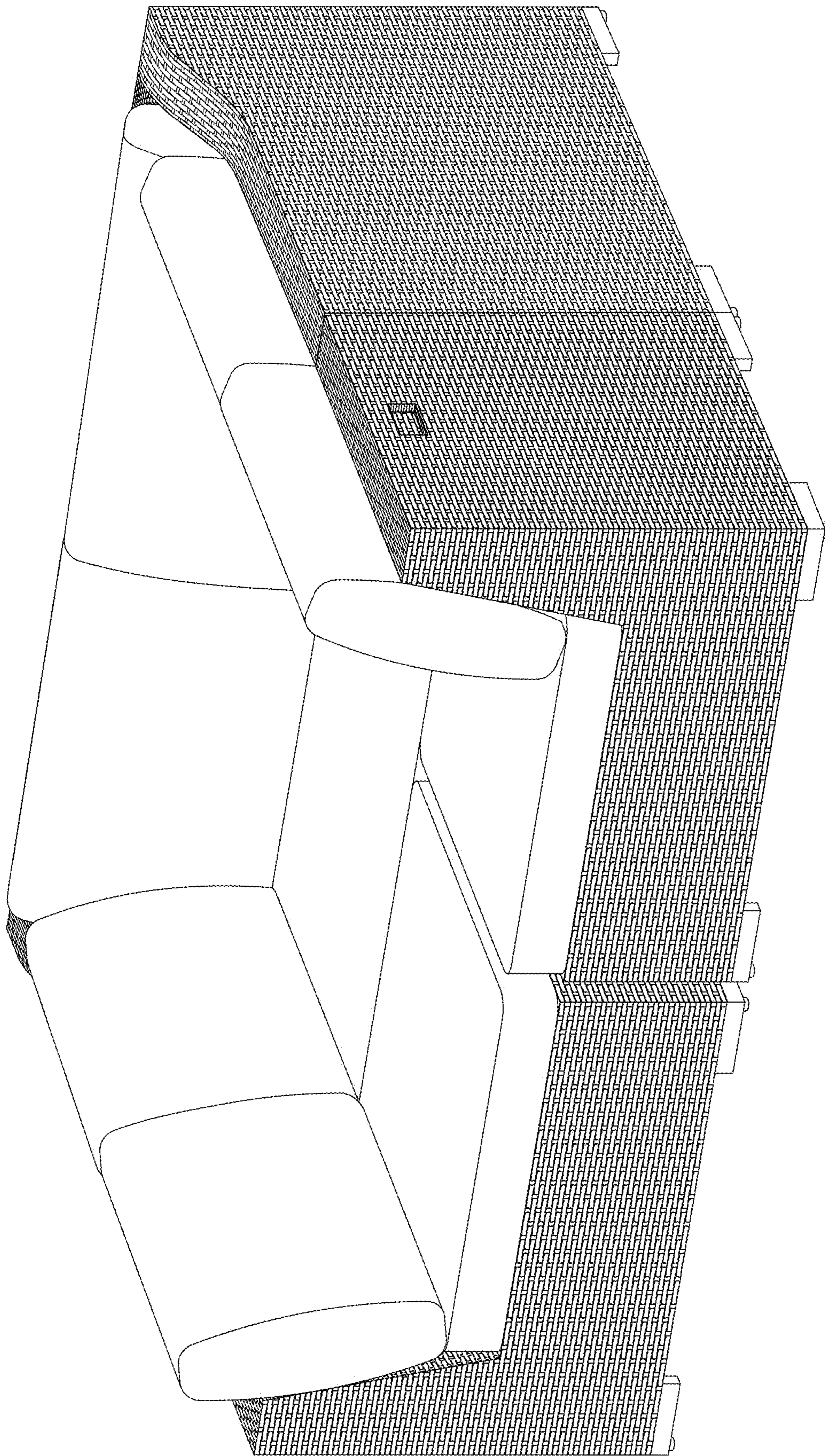


FIG. 10

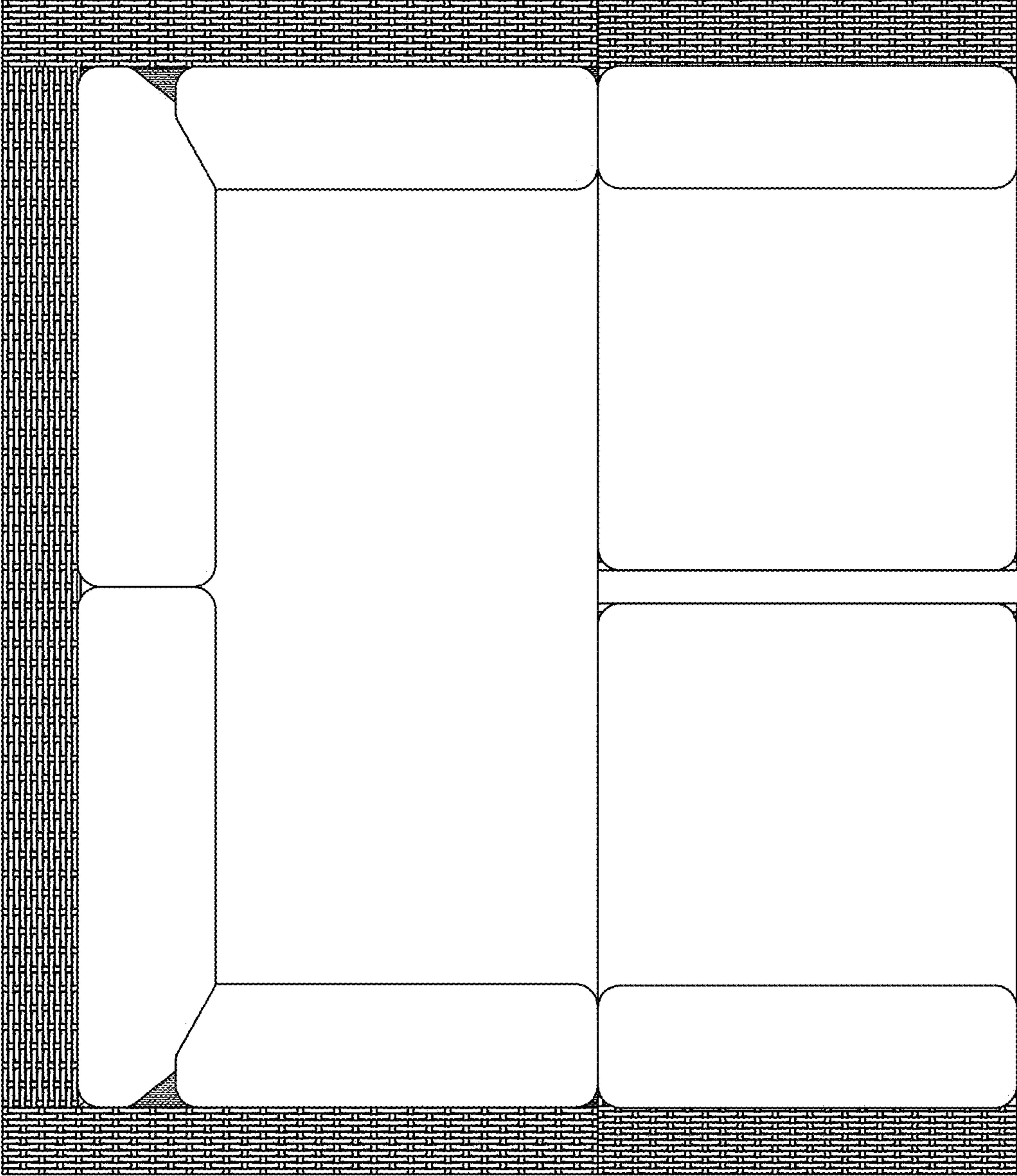


FIG. 11