



US00D878063S

(12) **United States Design Patent**  
**Yau**

(10) **Patent No.:** **US D878,063 S**  
(45) **Date of Patent:** **\*\* Mar. 17, 2020**

- (54) **HANGER**
- (71) Applicant: **Wai Shing Yau**, Kowloon (HK)
- (72) Inventor: **Wai Shing Yau**, Kowloon (HK)
- (\*\*) Term: **15 Years**
- (21) Appl. No.: **29/589,418**
- (22) Filed: **Dec. 30, 2016**
- (51) **LOC (12) Cl.** ..... **06-08**
- (52) **U.S. Cl.**  
USPC ..... **D6/326**
- (58) **Field of Classification Search**  
USPC ..... D6/315–328  
CPC ..... A47G 25/32; A47G 25/26; A47G 25/28;  
A47G 25/485; A47G 25/487; A47G  
25/20; A47G 25/481; A47G 25/442;  
A47G 25/24; A47G 25/48; A47G 25/486;  
A47G 25/36; A47G 25/1407; A47G  
25/30; A47G 25/14; A47G 25/743; A47G  
25/1457  
See application file for complete search history.

(56) **References Cited**

**U.S. PATENT DOCUMENTS**

- 1,018,056 A \* 2/1912 Hincer ..... A47G 25/481  
223/96
- 1,955,792 A \* 4/1934 Deknatel ..... A47G 25/481  
223/96
- 2,119,934 A \* 6/1938 Woods ..... A47G 25/481  
223/96
- 2,163,295 A \* 6/1939 Subick ..... A47G 25/481  
223/96
- 2,200,669 A \* 5/1940 Cook ..... A47G 25/481  
223/96
- 2,209,864 A \* 7/1940 Warren ..... A47G 25/481  
223/96
- 2,337,723 A 12/1943 Levin
- 2,379,634 A \* 7/1945 Hall ..... A47G 25/481  
223/96

- 2,996,226 A \* 8/1961 Crockett, Jr. .... A47G 25/481  
223/96
- 3,073,491 A 1/1963 Brooke
- D198,484 S \* 6/1964 Bertram ..... D6/326  
(Continued)

**OTHER PUBLICATIONS**

Sutton, Andrew W.; Non-Final Office Action for U.S. Appl. No. 15/824,679; dated Apr. 4, 2019; 11 pages.

*Primary Examiner* — Lauren R Calve

(74) *Attorney, Agent, or Firm* — Baker & McKenzie LLP

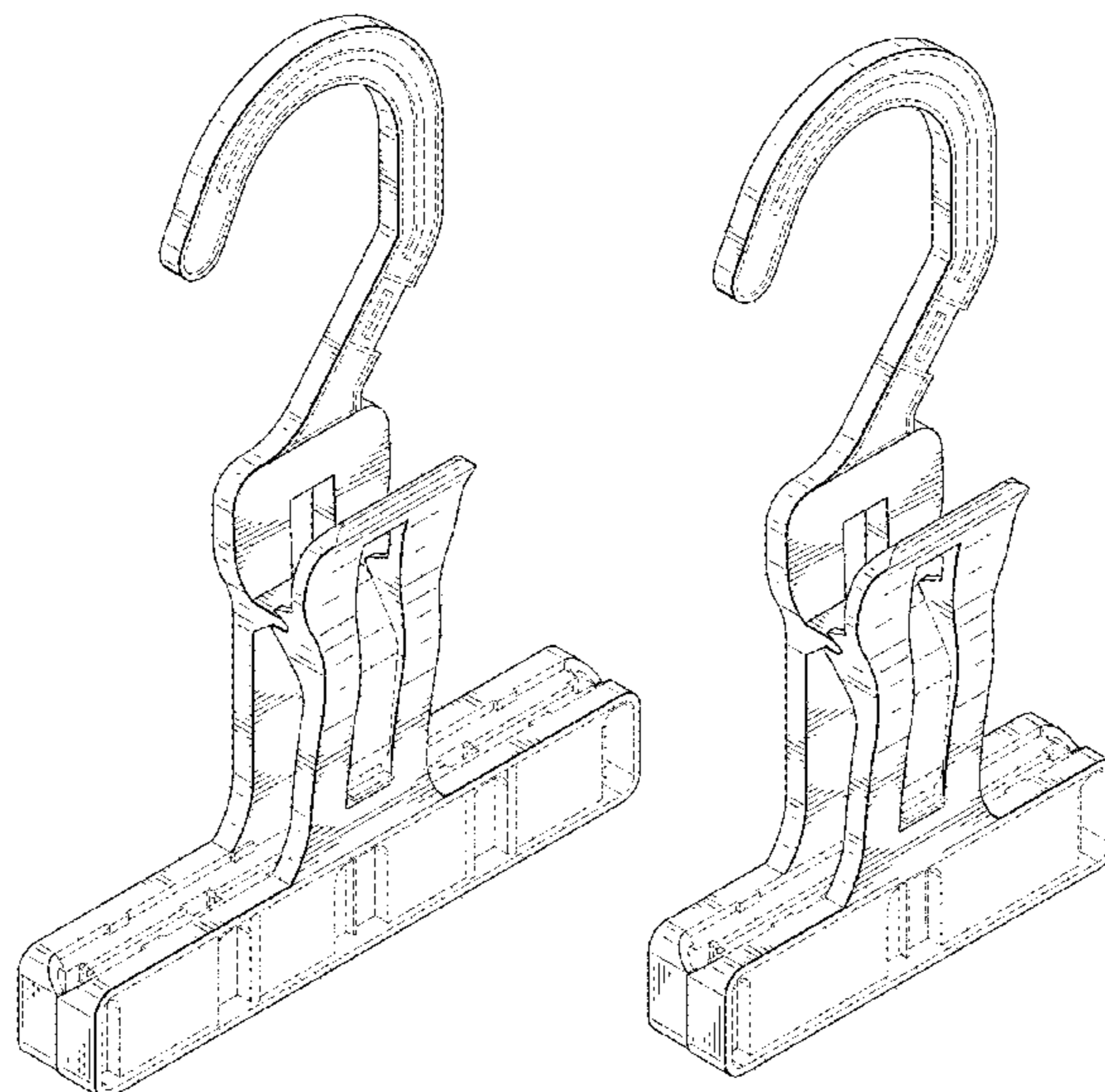
(57) **CLAIM**

The ornamental design for a hanger, as shown and described.

**DESCRIPTION**

FIG. 1 is a perspective view of a first embodiment of a hanger according to the disclosed design; FIG. 2 is a front view of the hanger shown in FIG. 1; FIG. 3 is a rear view of the hanger shown in FIG. 1; FIG. 4 is a first side view of the hanger shown in FIG. 1; FIG. 5 is a second side view of the hanger shown in FIG. 1; FIG. 6 is a top view of the hanger shown in FIG. 1; FIG. 7 is a bottom view of the hanger shown in FIG. 1; FIG. 8 is a perspective view of a second embodiment of a hanger according to the disclosed design; FIG. 9 is a front view of the hanger shown in FIG. 8; FIG. 10 is a rear view of the hanger shown in FIG. 8; FIG. 11 is a first side view of the hanger shown in FIG. 8; FIG. 12 is a second side view of the hanger shown in FIG. 8; FIG. 13 is a top view of the hanger shown in FIG. 8; and, FIG. 14 is a bottom view of the hanger shown in FIG. 8. The broken line showing of visible environmental structures is for illustrative purposes only and forms no part of the claimed design.

**1 Claim, 10 Drawing Sheets**



(56)

**References Cited**

U.S. PATENT DOCUMENTS

3,415,432 A \* 12/1968 Caves ..... A47G 25/481  
223/96  
D213,929 S \* 4/1969 Cauthen ..... D6/319  
D222,568 S \* 11/1971 Battles ..... D6/326  
D227,331 S \* 6/1973 Levitin ..... D6/326  
3,823,855 A 7/1974 Dohring  
D235,403 S \* 6/1975 Brown ..... D6/326  
3,984,037 A \* 10/1976 Peterson ..... A47G 25/481  
223/96  
  
4,029,240 A 6/1977 George et al.  
4,609,132 A 9/1986 Brokenshire  
4,927,063 A 5/1990 Fricano  
8,016,170 B2 \* 9/2011 Johnson ..... A47G 25/481  
223/95  
  
8,201,310 B1 6/2012 Abdi et al.  
9,930,983 B2 \* 4/2018 Ballard ..... A47G 25/10  
2007/0007312 A1 1/2007 Kraus, Jr.  
2013/0228598 A1 9/2013 Xie  
2018/0184830 A1 7/2018 Yau

\* cited by examiner

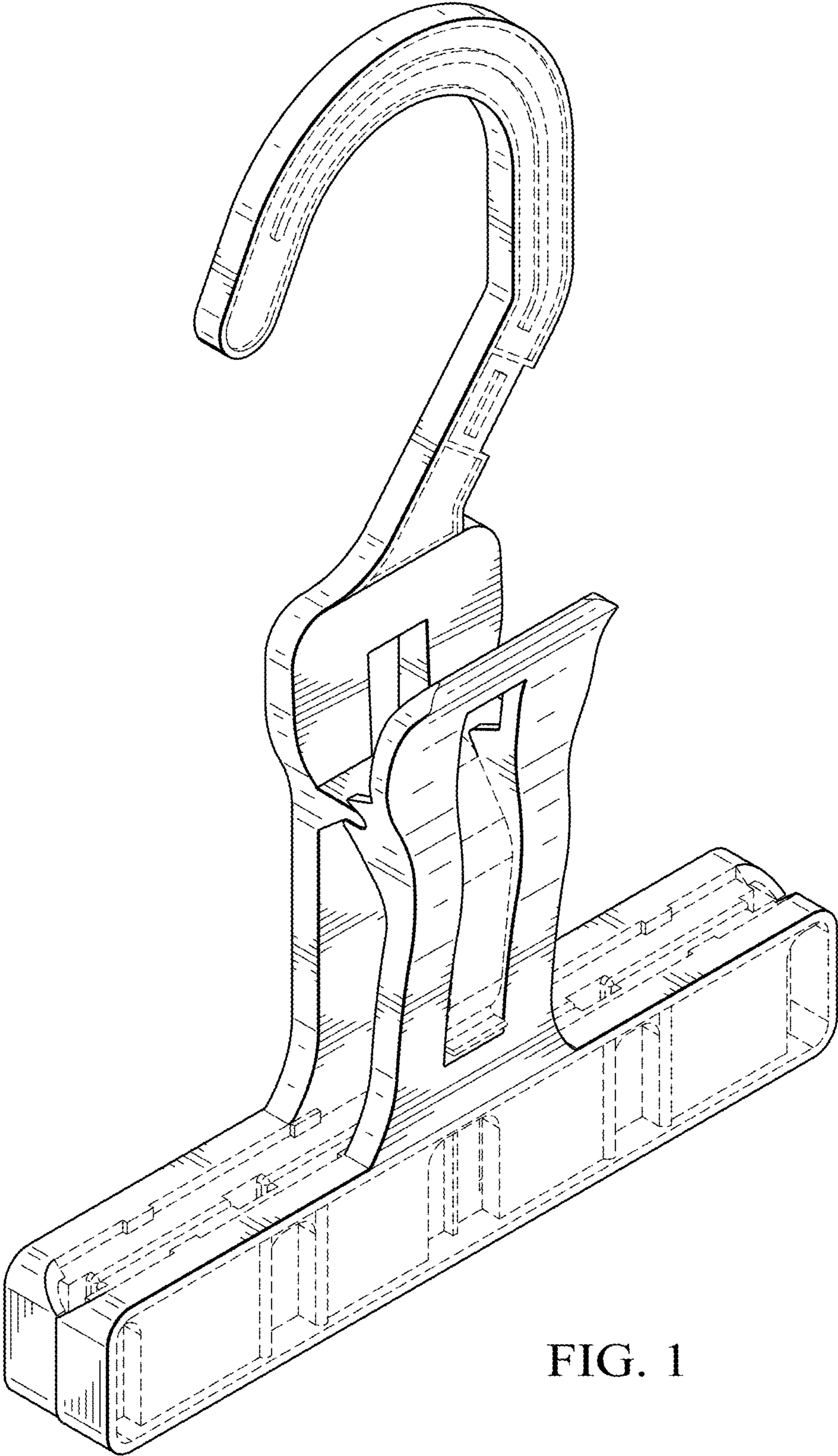


FIG. 1

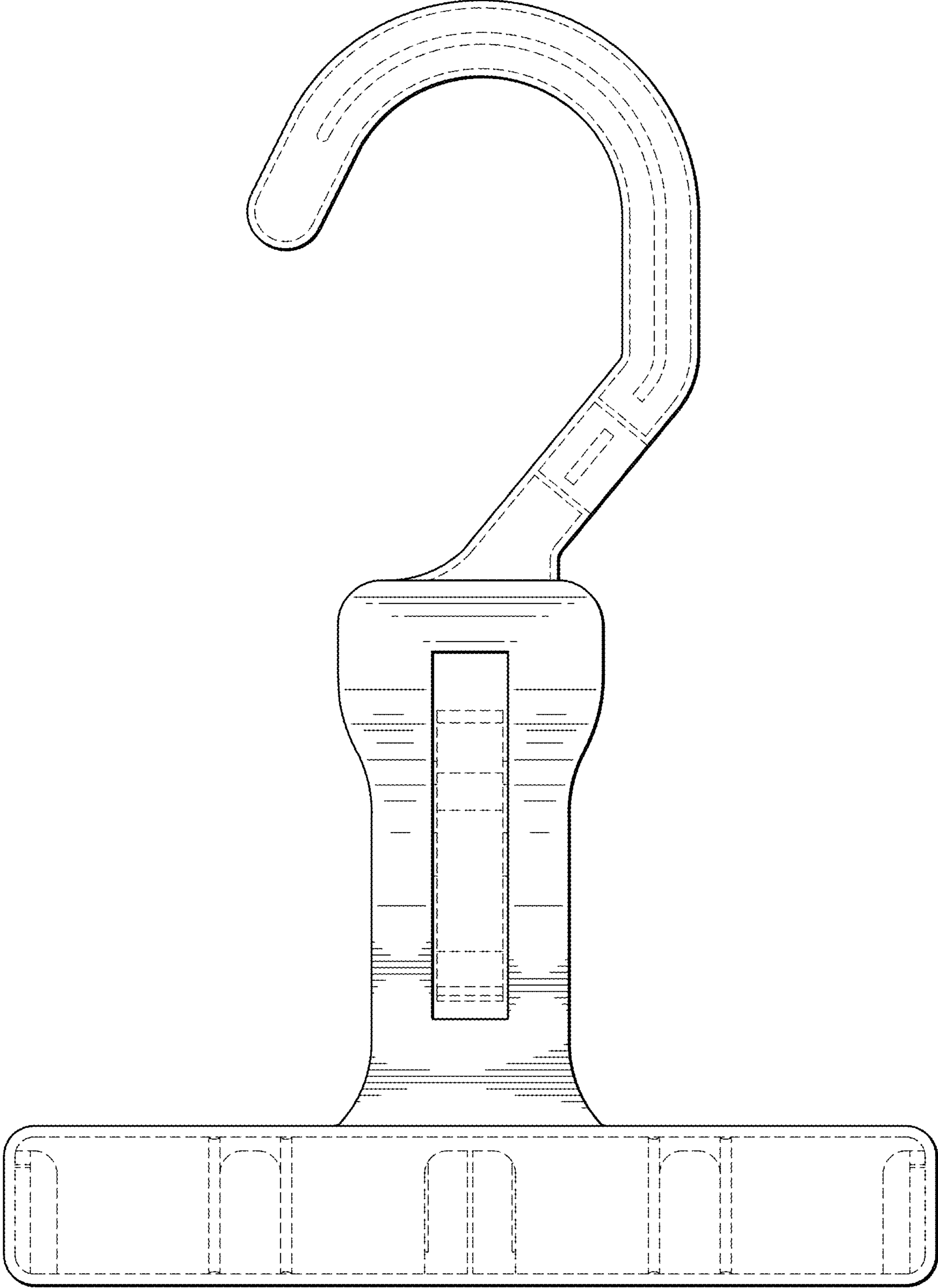


FIG. 2



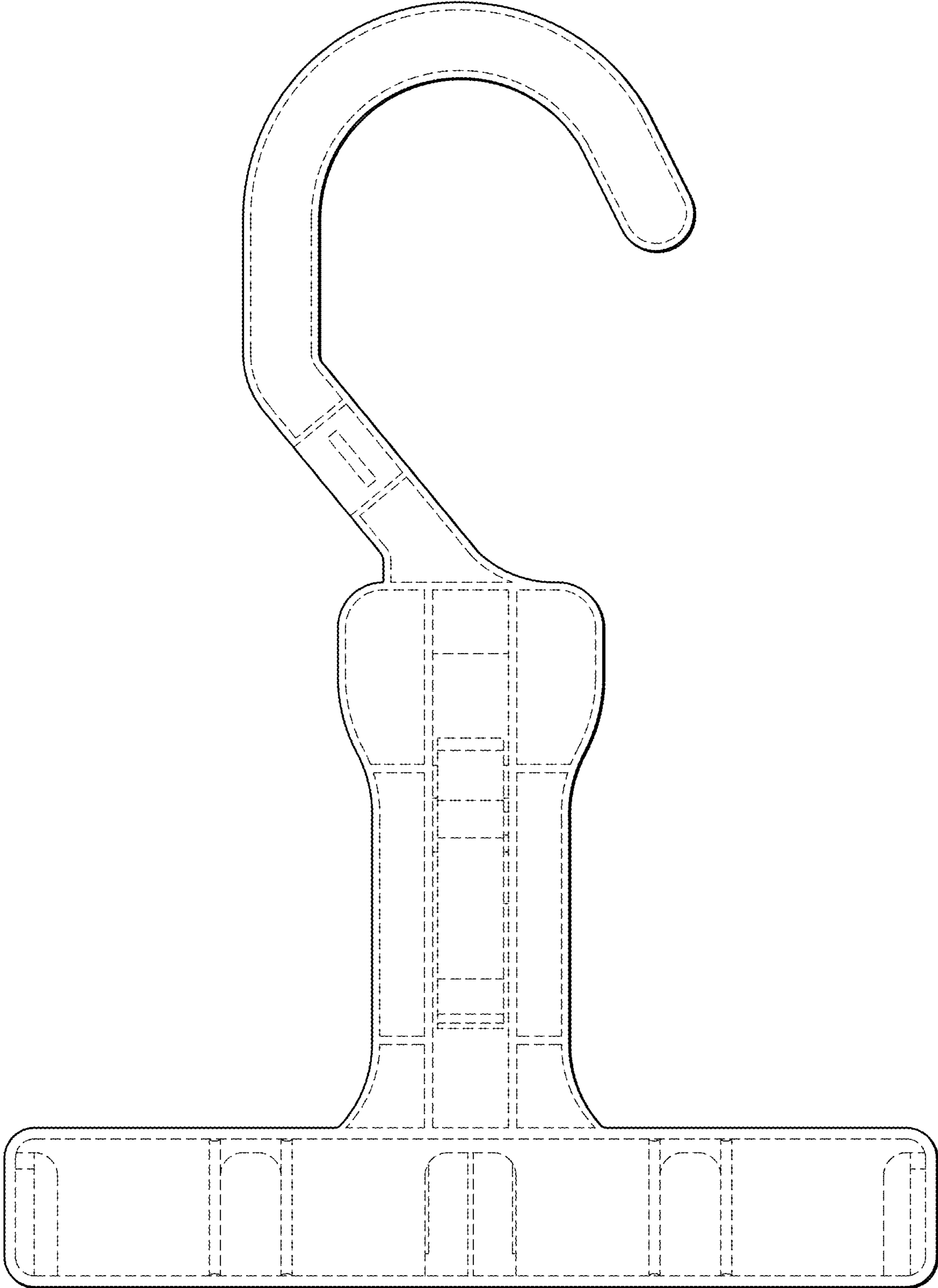


FIG. 3

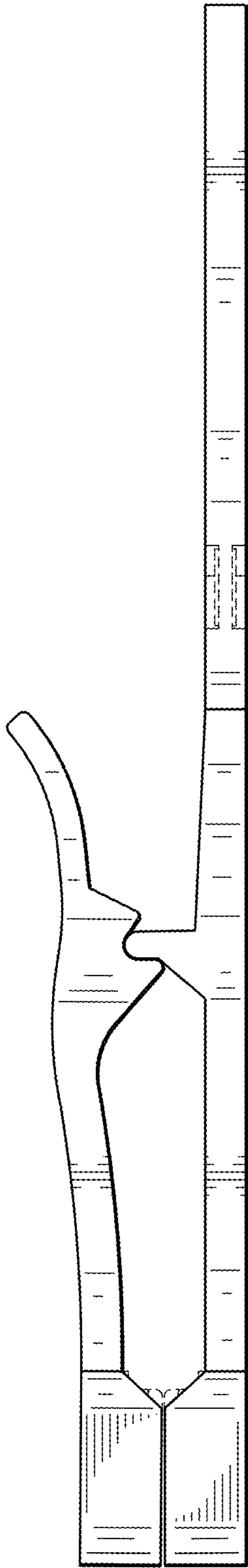


FIG. 4

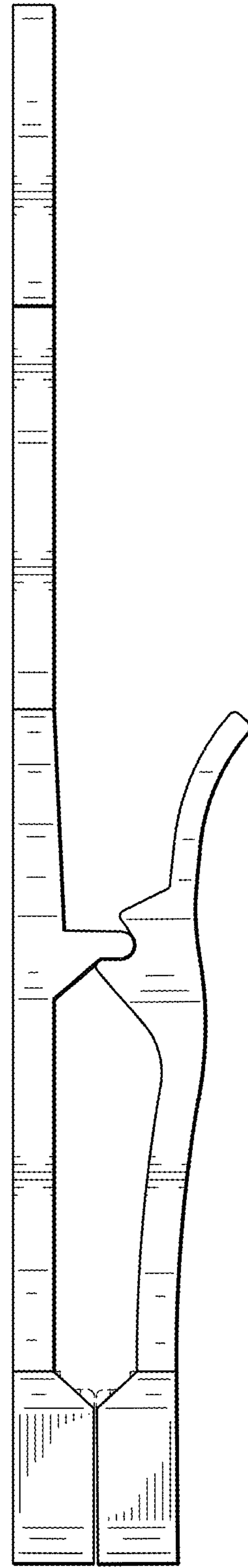


FIG. 5

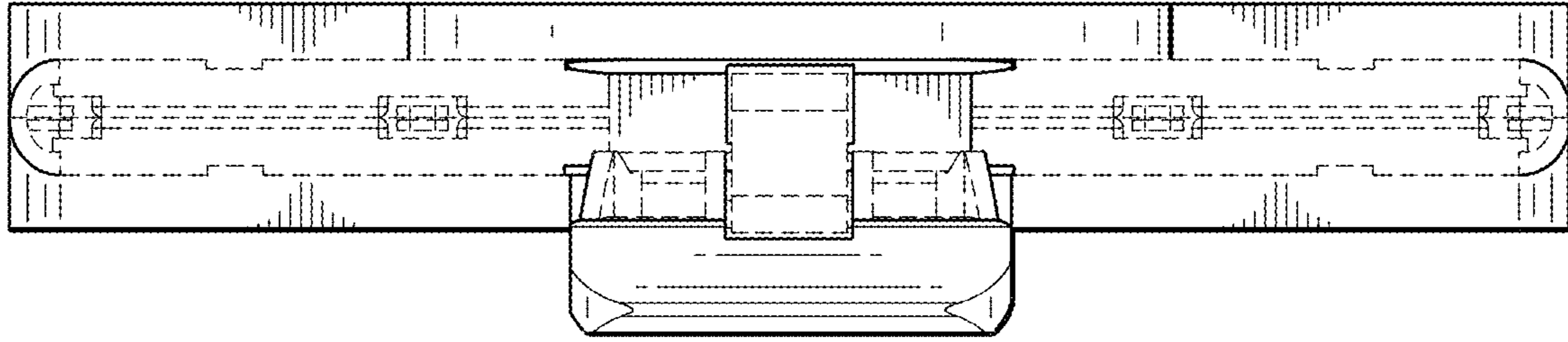


FIG. 6

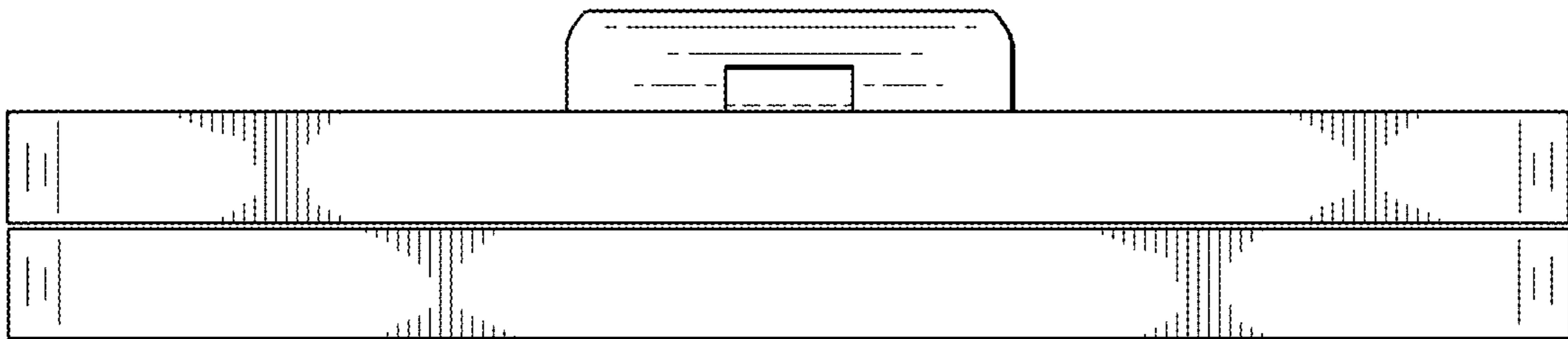


FIG. 7

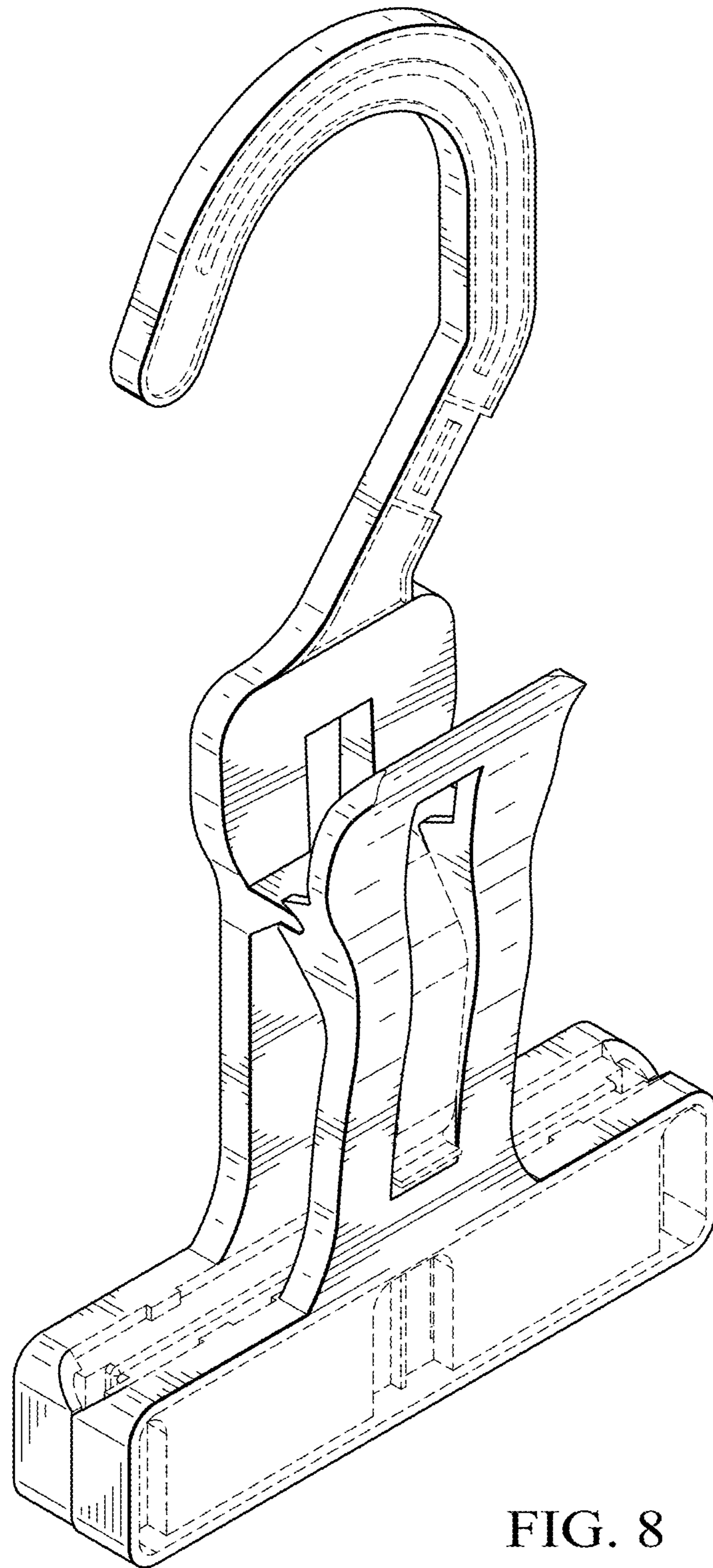


FIG. 8



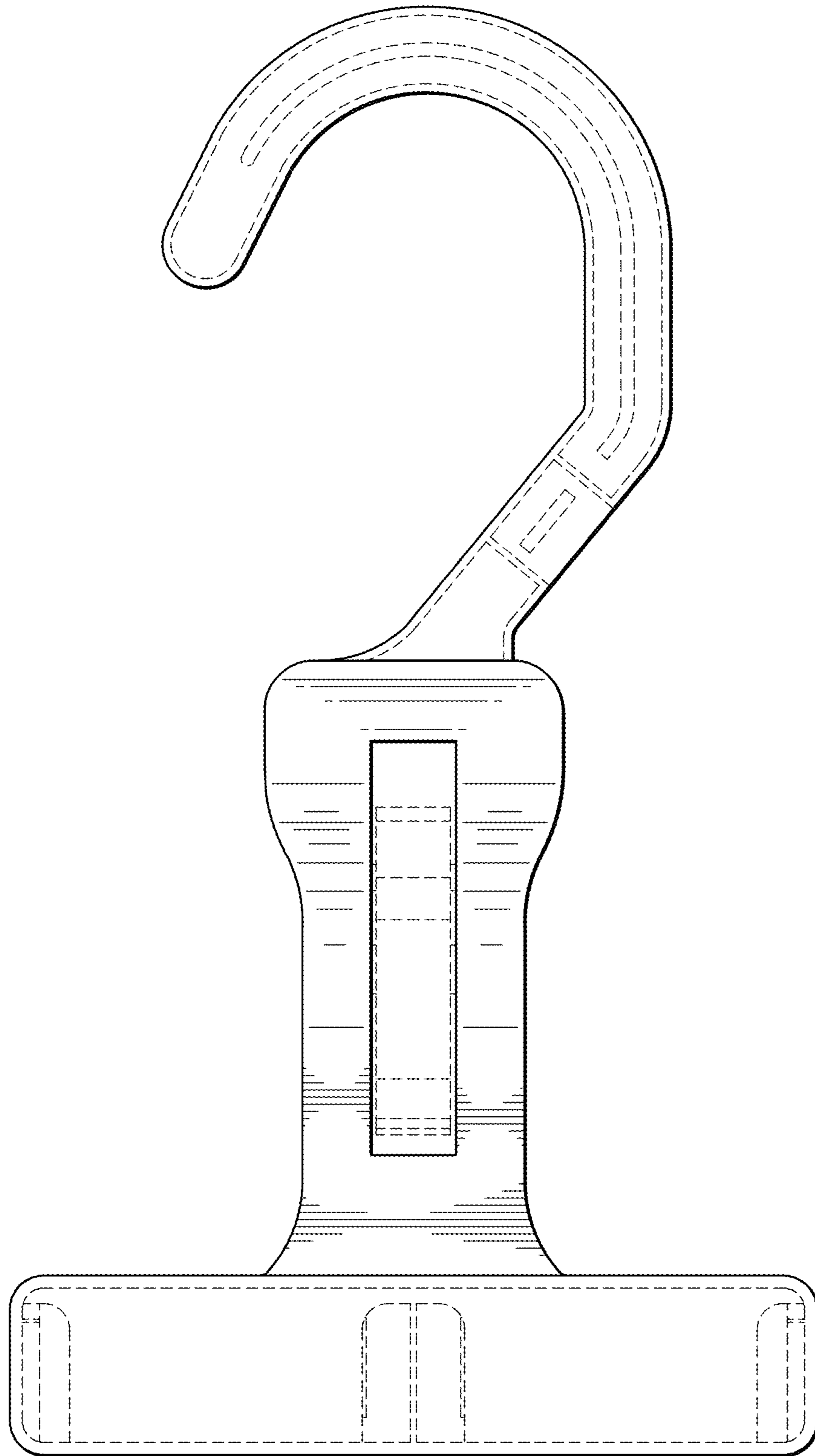


FIG. 9

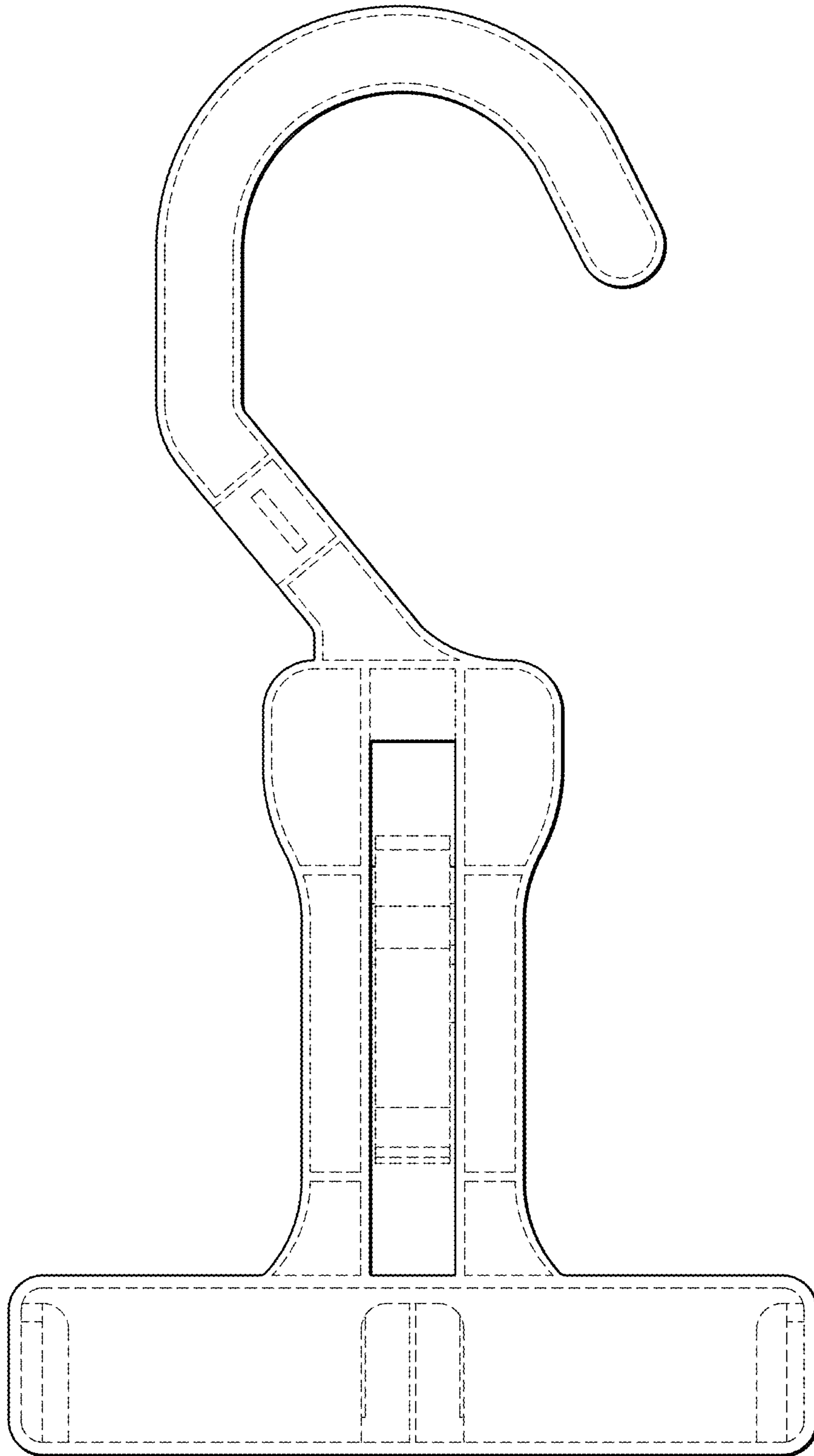


FIG. 10

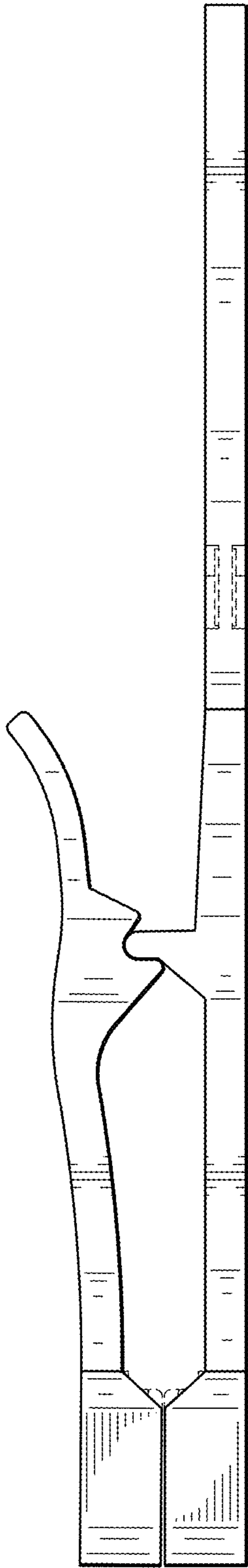


FIG. 11

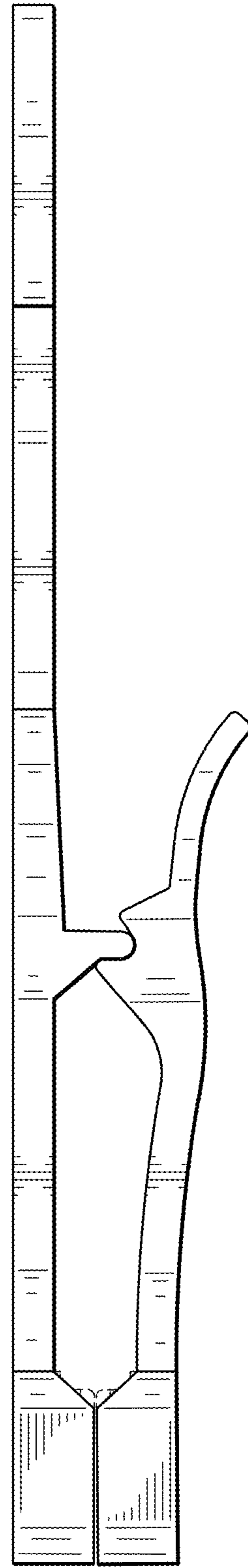


FIG. 12

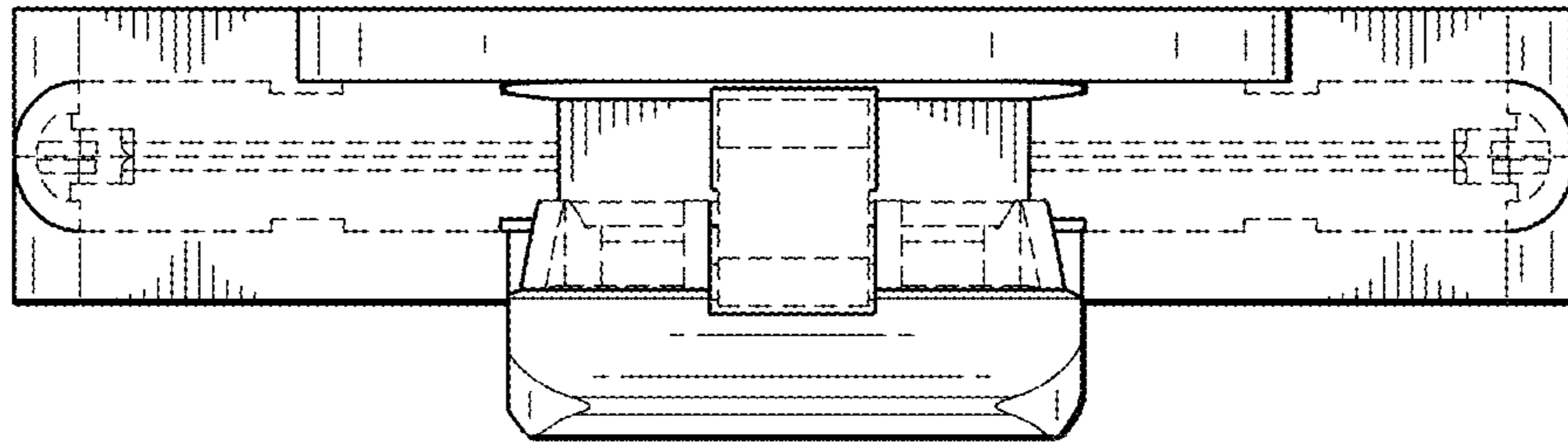


FIG. 13

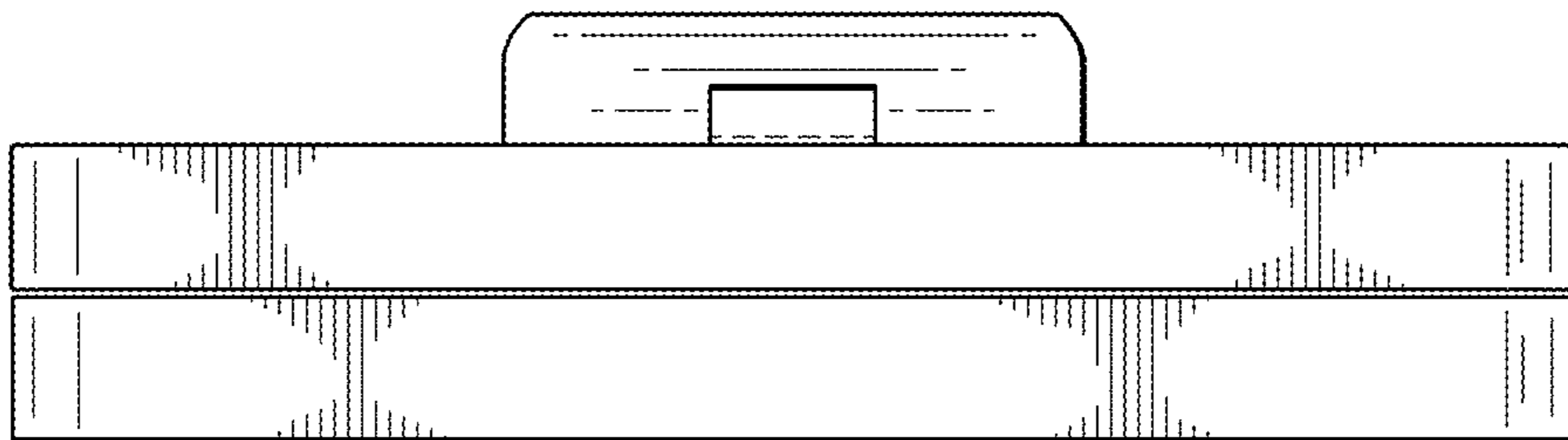


FIG. 14