



US00D878056S

(12) **United States Design Patent**
Mikaelsson et al.

(10) **Patent No.:** **US D878,056 S**
(45) **Date of Patent:** **** Mar. 17, 2020**

- (54) **DISHWASHING BRUSH**
- (71) Applicant: **Smart Products Scandinavia AB**,
Österhaninge (SE)
- (72) Inventors: **Mattias Mikaelsson**, Sundbyberg (SE);
Daniel Broman, Huddinge (SE)
- (73) Assignee: **Smart Products Scandinavia AB** (SE)
- (**) Term: **15 Years**
- (21) Appl. No.: **29/656,397**
- (22) Filed: **Jul. 12, 2018**

- 1,501,547 A * 7/1924 Bassett A45D 33/36
15/144.3
- 1,853,238 A * 4/1932 Shields A47K 7/028
15/244.1
- D160,736 S * 10/1950 Racicot D4/127
- 3,220,040 A * 11/1965 Knaebe A47K 7/028
15/244.1
- 4,428,091 A * 1/1984 Janssen A46B 5/0062
15/167.2
- D277,512 S * 2/1985 Colognori D28/63

(Continued)

FOREIGN PATENT DOCUMENTS

- CN 302530290 * 8/2013
- JP D1270490 * 5/2006

- (30) **Foreign Application Priority Data**
Jan. 12, 2018 (EM) 00466332-0001
- (51) **LOC (12) Cl.** **04-01**
- (52) **U.S. Cl.**
USPC **D4/127**
- (58) **Field of Classification Search**
USPC D4/114, 115, 116, 117, 118, 119, 120,
D4/121, 122, 123, 124, 125, 126, 127,
D4/128, 129, 130, 131, 132, 133, 134,
D4/135, 136, 137, 138, 199; D32/40, 51,
D32/52; 16/DIG. 12, 19
CPC A46B 2200/30; A46B 2200/3033; A46B
3/00; A46B 5/02; A46B 5/021; A46B
9/02; A46B 5/0025; A47K 11/10
See application file for complete search history.

OTHER PUBLICATIONS

Burstenhaus Redecker Large Dish Brush with Hard Bristles, 10" |
Sur La Table [on-line]. [Retrieved from the Internet Nov. 5, 2019].
URL: see printed copy for full URL (Year: 2019).*

(Continued)

Primary Examiner — Karen E Eldridge Powers
(74) *Attorney, Agent, or Firm* — Lerner, David,
Littenberg, Krumholz & Mentlik, LLP

(57) **CLAIM**

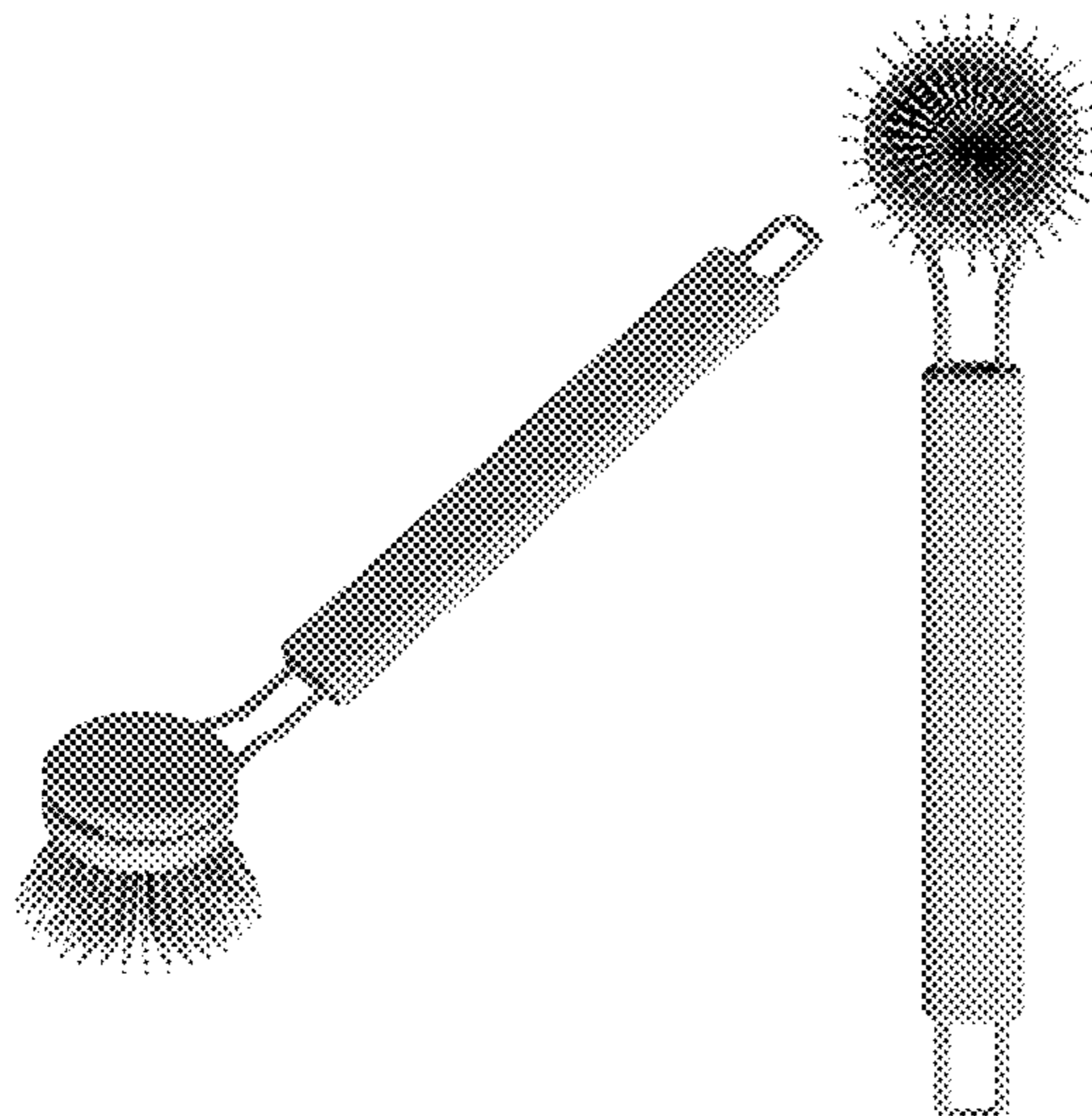
The ornamental design for a dishwashing brush, as shown
and described.

DESCRIPTION

FIG. 1 is a front perspective view of a dishwashing brush
according to our new design;
FIG. 2 is a top plan view thereof;
FIG. 3 is a bottom plan view thereof;
FIG. 4 is a left side elevation view thereof;
FIG. 5 is a right side view being a mirror image thereof;
FIG. 6 is a rear elevation view thereof; and,
FIG. 7 is an exploded view thereof.

- (56) **References Cited**
U.S. PATENT DOCUMENTS
666,847 A * 1/1901 Emmert A47L 13/257
15/244.1
D42,119 S * 1/1912 Thompson D24/211
D42,120 S * 1/1912 Thompson D4/120
D46,208 S * 8/1914 Erskine D4/120
1,127,195 A * 2/1915 Cummings et al.
A46B 11/0024
401/155

1 Claim, 6 Drawing Sheets



(56)

References Cited

U.S. PATENT DOCUMENTS

D351,285 S * 10/1994 Joyner D28/63
D417,961 S * 12/1999 Powis, Jr. D4/127
D471,365 S * 3/2003 Henrie D4/120
D756,660 S * 5/2016 Zemel D4/120

OTHER PUBLICATIONS

Dishwashing brushes t [on-line]. [Project dated Oct. 2018]. [Retrieved from the Internet Nov. 5, 2019]. URL: <http://mikaelssondesign.se/nyheter.html> (Year: 2018).*

Nature Dish Brushes—Horsehair, SKU #GR67589 [on-line]. [Retrieved from the Internet Nov. 5, 2019]. URL: <https://www.ingebretsens.com/nature-dish-brushes-horsehair.html> (Year: 2019).*

* cited by examiner

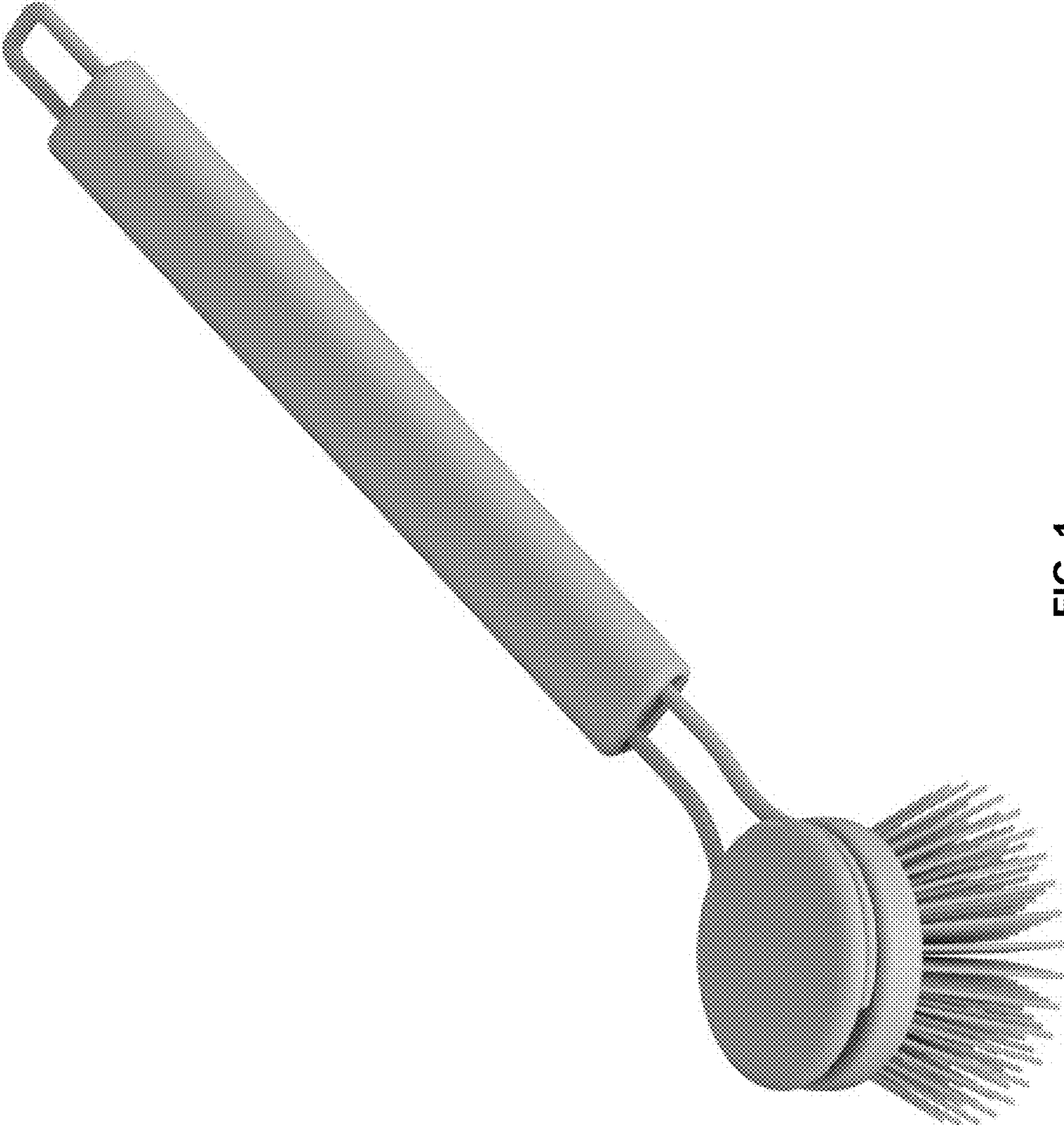


FIG. 1

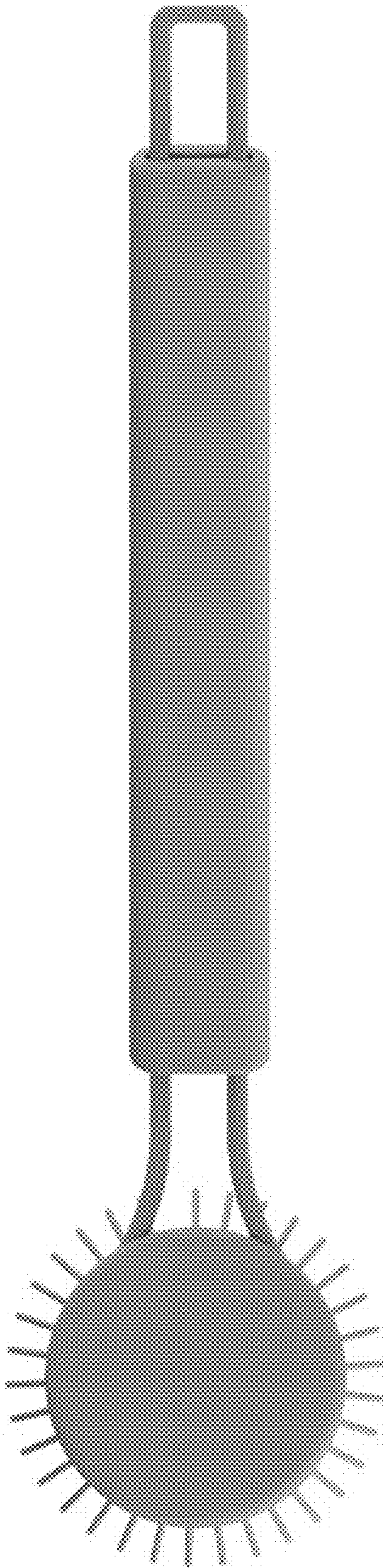


FIG. 2

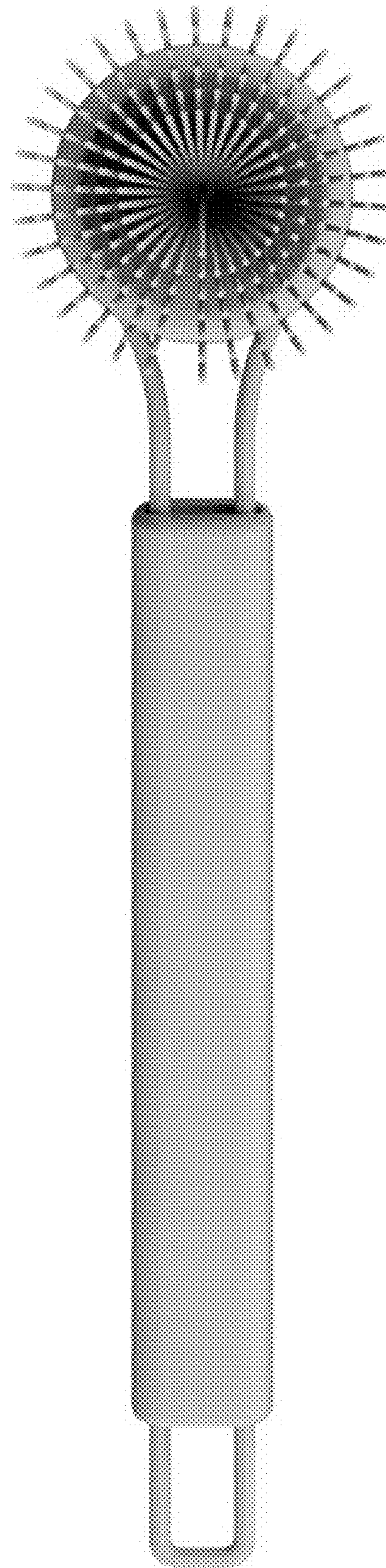


FIG. 3

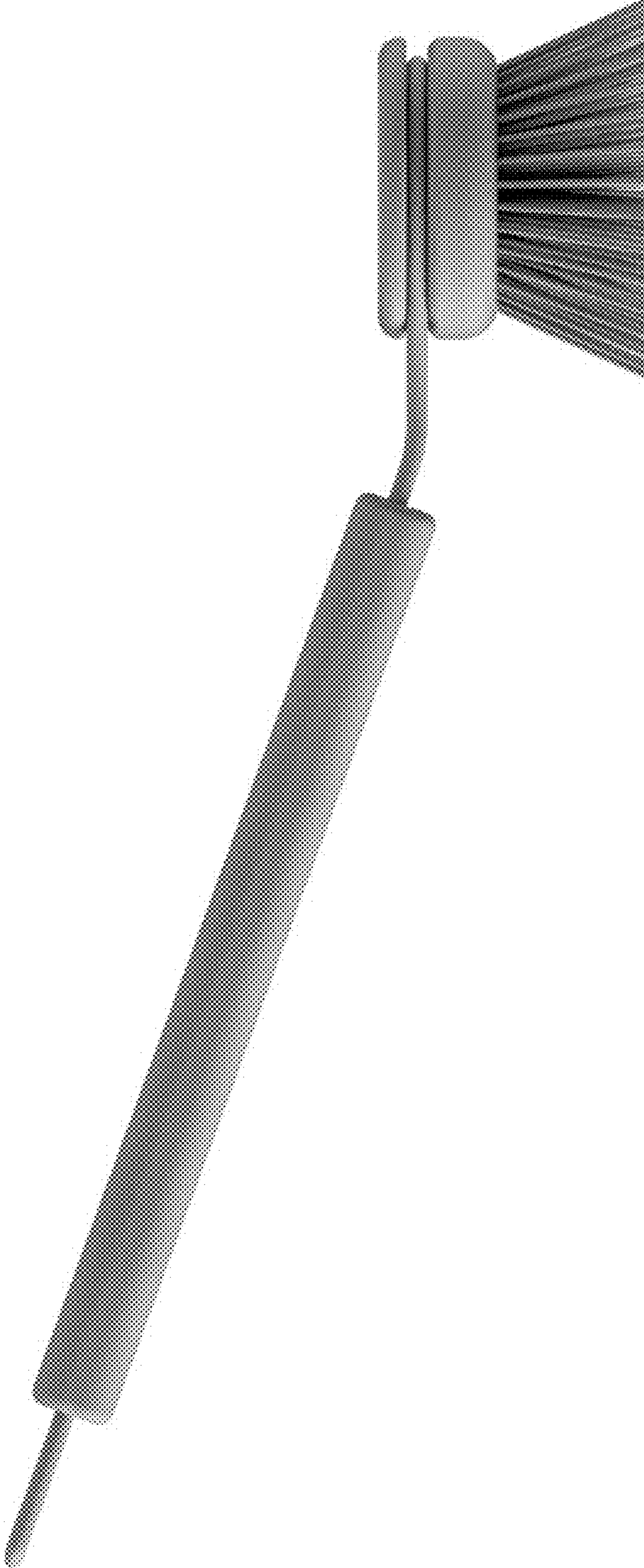


FIG. 4



FIG. 5

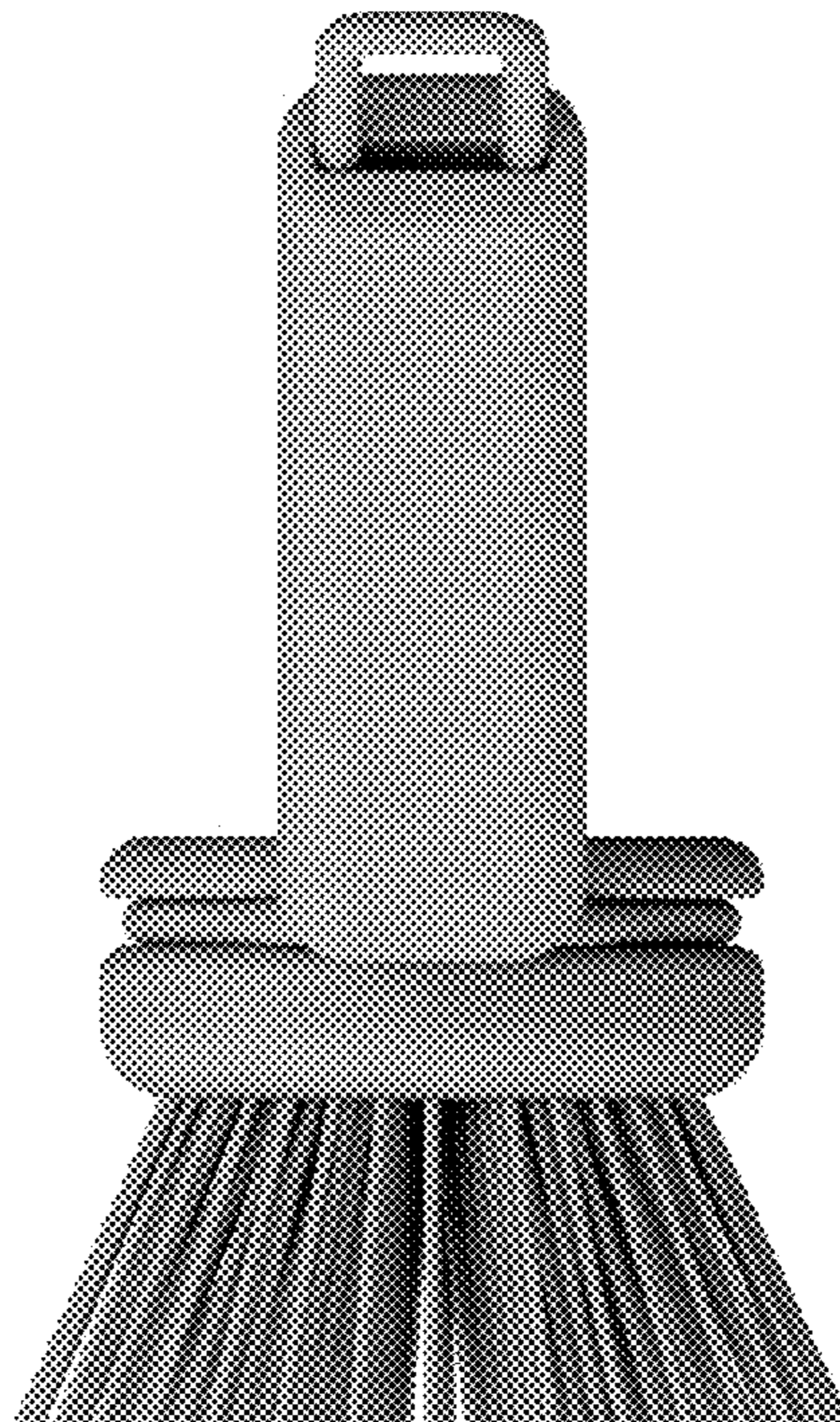


FIG. 6

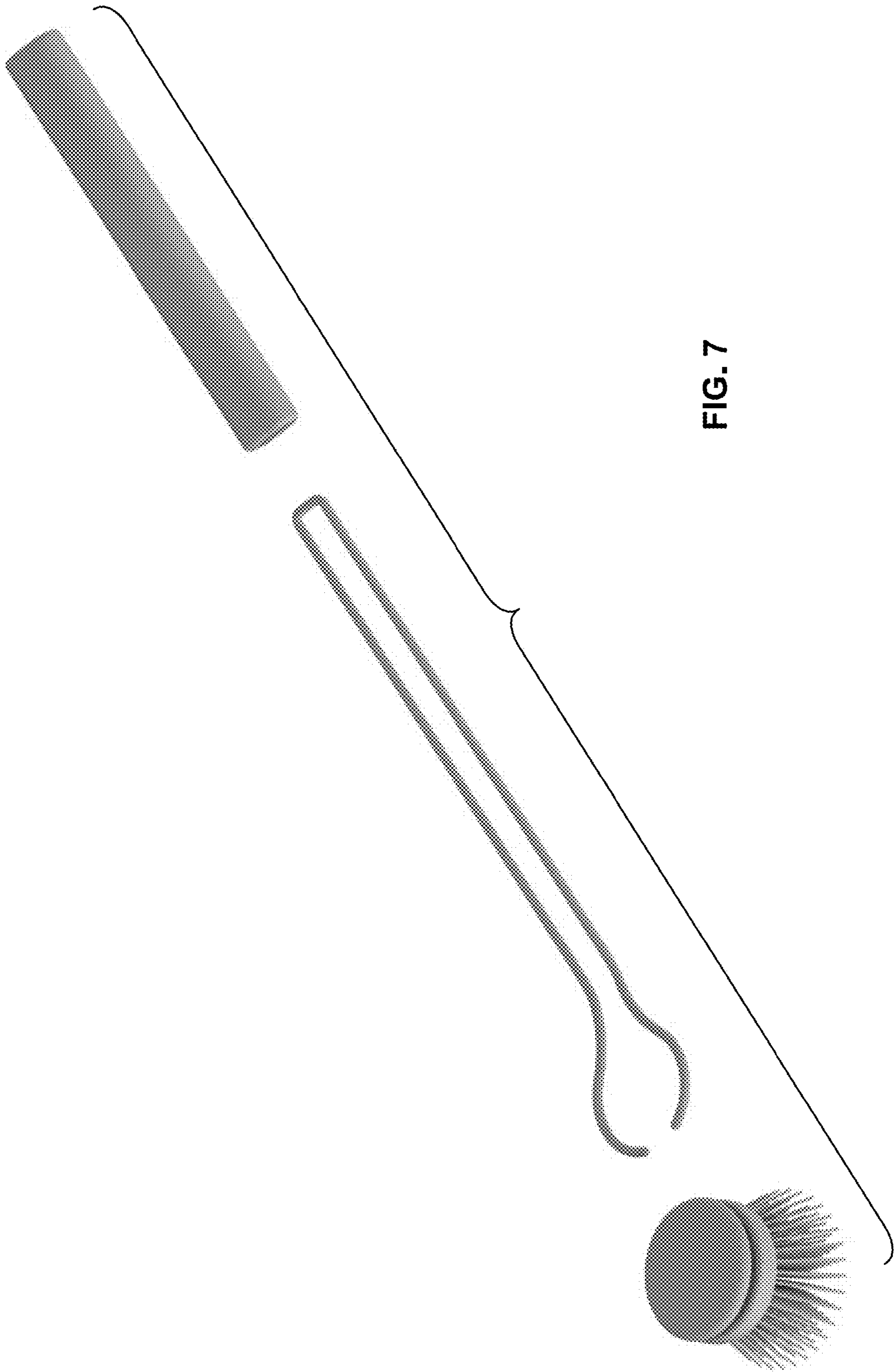


FIG. 7