



US00D878051S

(12) **United States Design Patent** (10) **Patent No.:** **US D878,051 S**
Kraemer (45) **Date of Patent:** **** Mar. 17, 2020**

- (54) **BIN**
- (71) Applicant: **InterDesign, Inc.**, Solon, OH (US)
- (72) Inventor: **Kevin Francis Kraemer**, Chagrin Falls, OH (US)
- (73) Assignee: **InterDesign, Inc.**, Solon, OH (US)
- (**) Term: **15 Years**
- (21) Appl. No.: **29/678,011**
- (22) Filed: **Jan. 25, 2019**

Related U.S. Application Data

- (63) Continuation of application No. 29/636,788, filed on Feb. 12, 2018, now Pat. No. Des. 842,607, which is a continuation of application No. 29/552,628, filed on Jan. 25, 2016, now Pat. No. Des. 809,797, which is a continuation of application No. 29/471,492, filed on Nov. 1, 2013, now Pat. No. Des. 751,318, which is a continuation of application No. 29/411,666, filed on Jan. 25, 2012, now Pat. No. Des. 694,548.
- (51) **LOC (12) Cl.** **09-04**
- (52) **U.S. Cl.**
USPC **D3/307; D32/37**
- (58) **Field of Classification Search**
USPC D3/200-201, 203.1, 203.3, 205-206, D3/303-315; D19/75, 77, 86, 90, 92, D19/100; 206/503-507, 510, 512, 564, 206/822; D32/37; D9/643-644, D9/645-647, 703, 425-426, 432; 220/607, 643, 659, 676, 657; 229/100, 229/406, 913-914
CPC B65D 81/3813; B65D 21/00
See application file for complete search history.

- (56) **References Cited**
- U.S. PATENT DOCUMENTS
- D156,327 S * 12/1949 Erickson D3/311
- D286,339 S * 10/1986 van Berne D3/305
- 4,643,306 A * 2/1987 Ryan B07C 7/02
206/425
- D328,101 S * 7/1992 Rorke D19/75
- D376,452 S * 12/1996 Breen D32/37
- D380,299 S * 7/1997 Schlaeger D3/310
- D421,183 S * 2/2000 Koskinen D3/304
- D423,587 S * 4/2000 Conley D19/75
- D477,145 S * 7/2003 Sofy D3/307
- D518,526 S * 4/2006 Benn D19/90
- D643,585 S * 8/2011 Duvigneau D32/37
- D657,562 S * 4/2012 McNamara D3/304
- D677,056 S * 3/2013 Hu D3/306
- 8,424,710 B2 * 4/2013 Orgeldinger B65D 11/1833
220/6
- D699,437 S * 2/2014 Del Solar D3/315
- D706,506 S * 6/2014 Duvigneau D32/37
- D710,442 S * 8/2014 Stravitz D19/90
- D710,612 S * 8/2014 Kolano D3/309

(Continued)

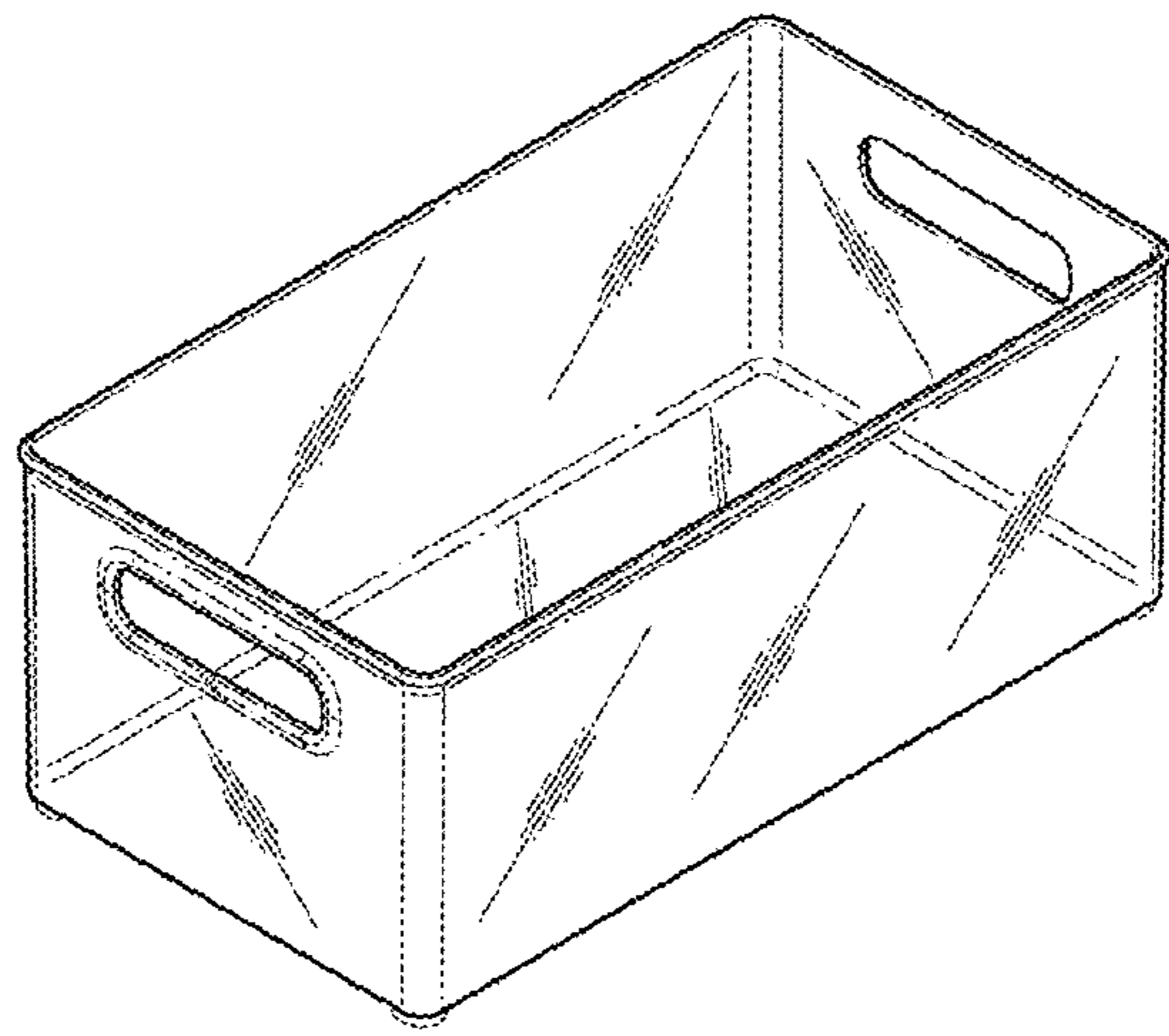
Primary Examiner — Nathan M Johnston
(74) *Attorney, Agent, or Firm* — Calfee, Halter & Griswold, LLP

(57) **CLAIM**
I claim the ornamental design for a bin, as shown and described.

DESCRIPTION

FIG. 1 is a front/left/top perspective view of a bin; FIG. 2 is a rear/right/bottom perspective view thereof; FIG. 3 is a front elevational view thereof (a rear elevational view would be a mirror image thereof); FIG. 4 is a right side elevational view thereof (a left side elevational view would be a mirror image thereof); FIG. 5 is a top plan view thereof; and, FIG. 6 is a bottom plan view thereof. The broken lines depict portions that form no part of the claimed design.

1 Claim, 3 Drawing Sheets



(56)

References Cited

U.S. PATENT DOCUMENTS

D712,477 S	*	9/2014	Stravitz	D19/90
D746,593 S	*	1/2016	Kroll	D3/307
D747,102 S	*	1/2016	Kraemer	D3/307
D805,402 S	*	12/2017	Gamble	D9/755
D808,258 S	*	1/2018	Lee	D9/431
D809,797 S	*	2/2018	Kraemer	D3/307
D832,115 S	*	10/2018	Fitchett	D9/711
D832,580 S	*	11/2018	Sanchez-Vizcaino	D3/312

* cited by examiner

FIG. 1

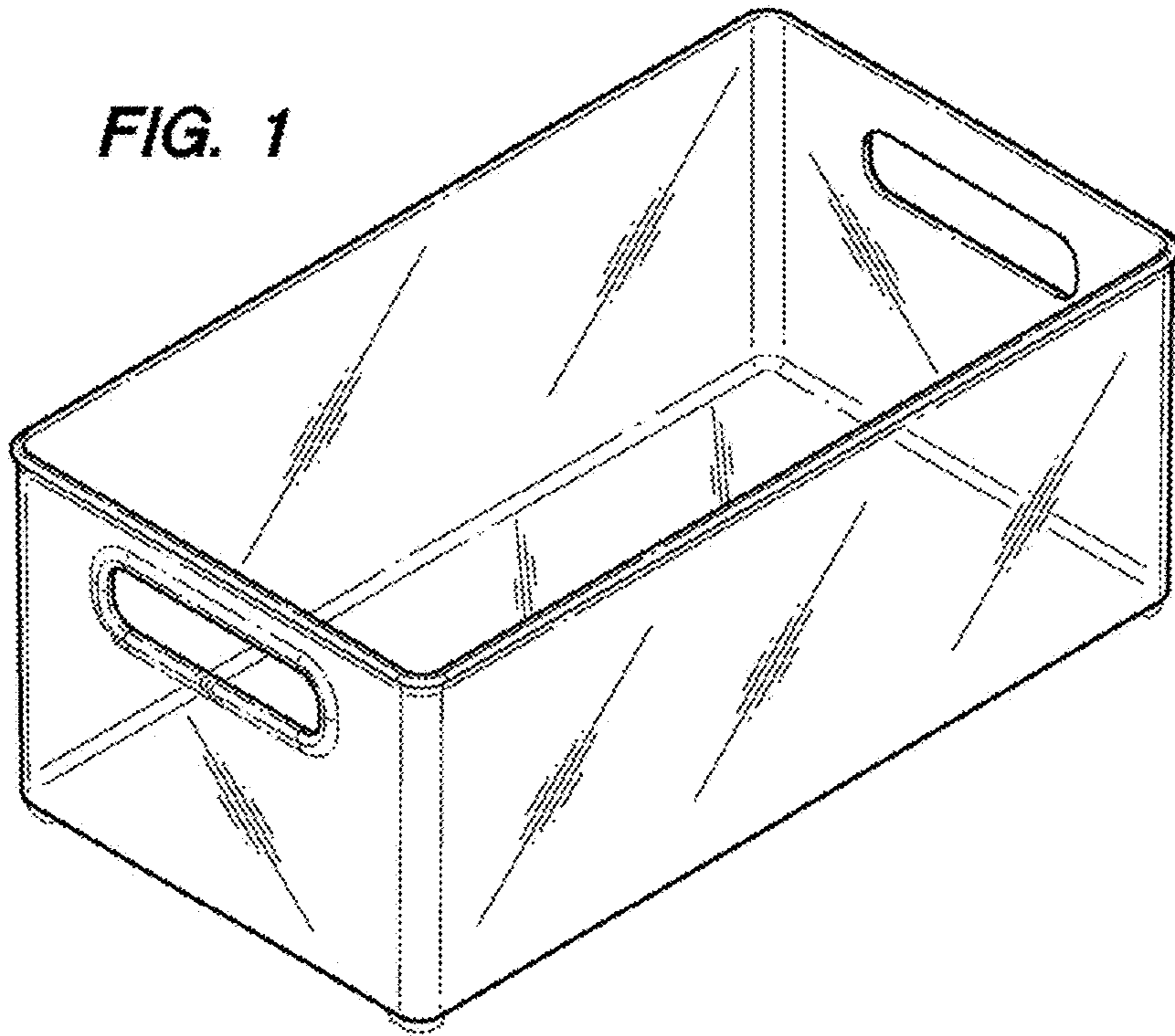
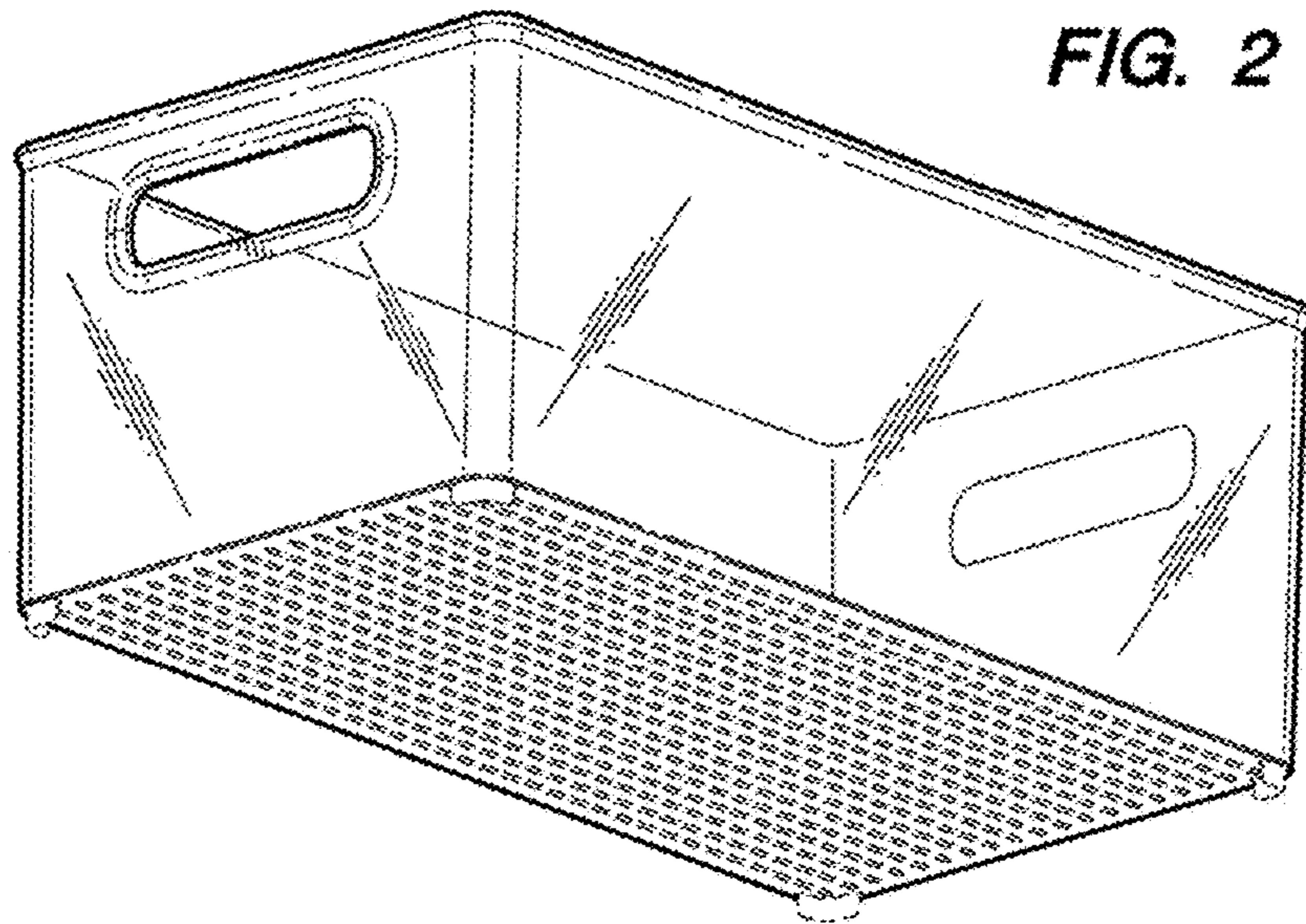


FIG. 2



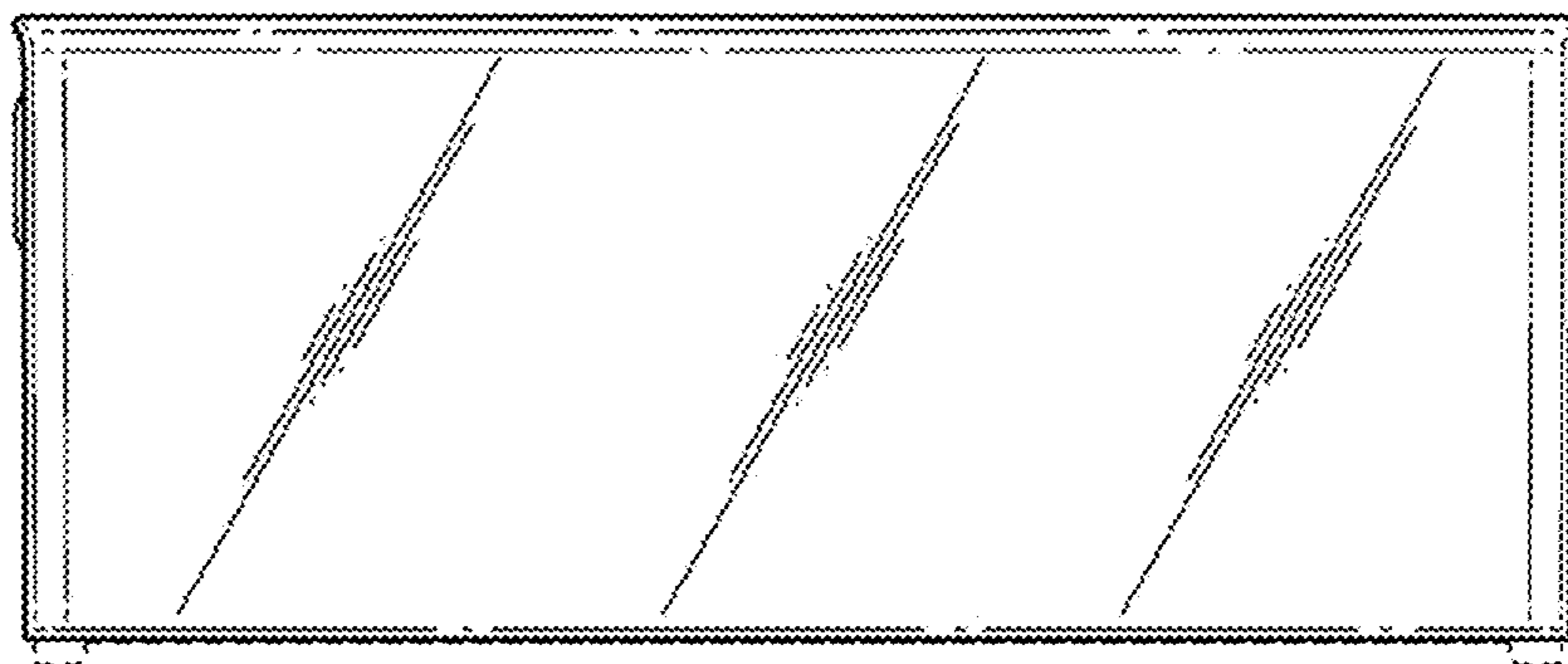


FIG. 3

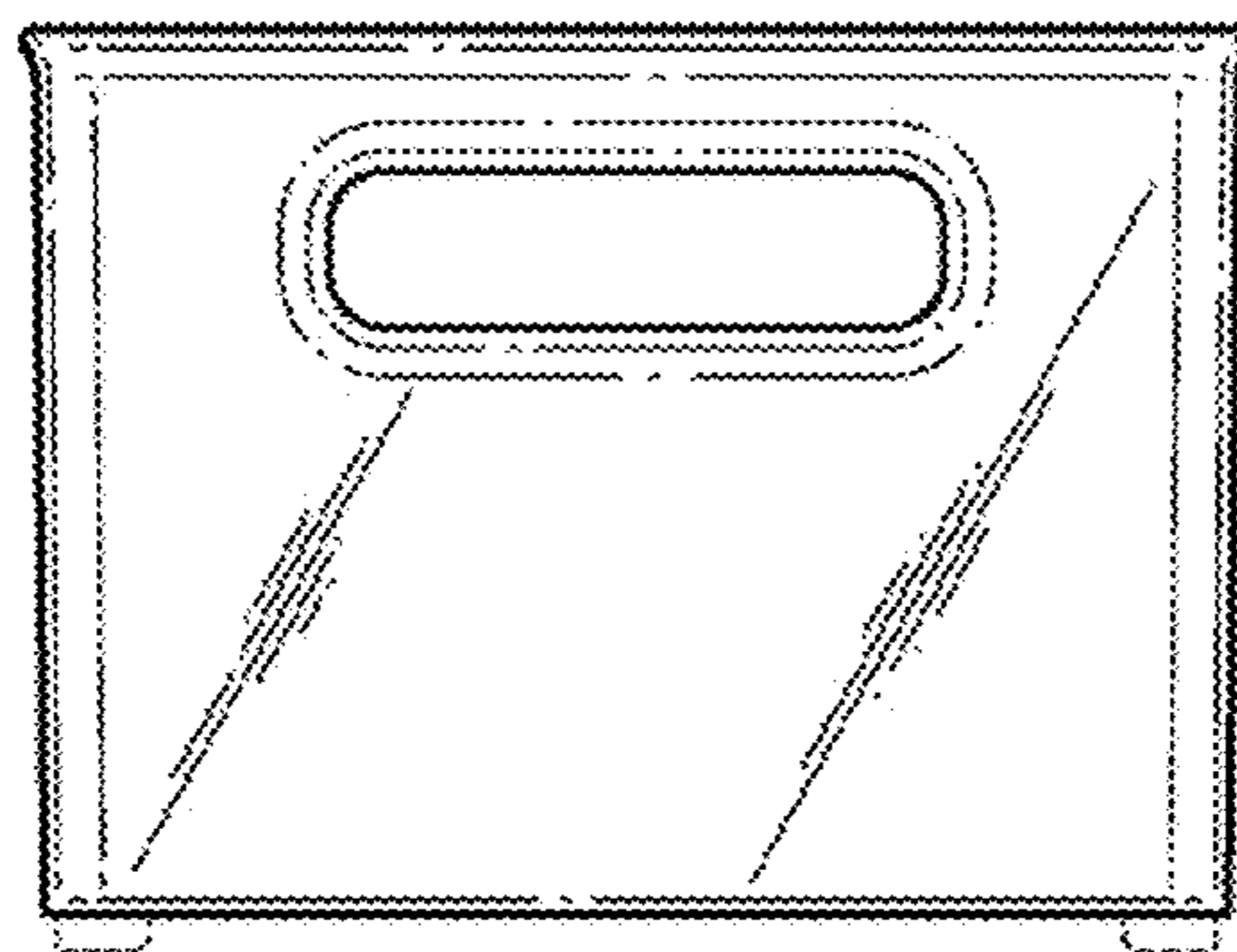


FIG. 4

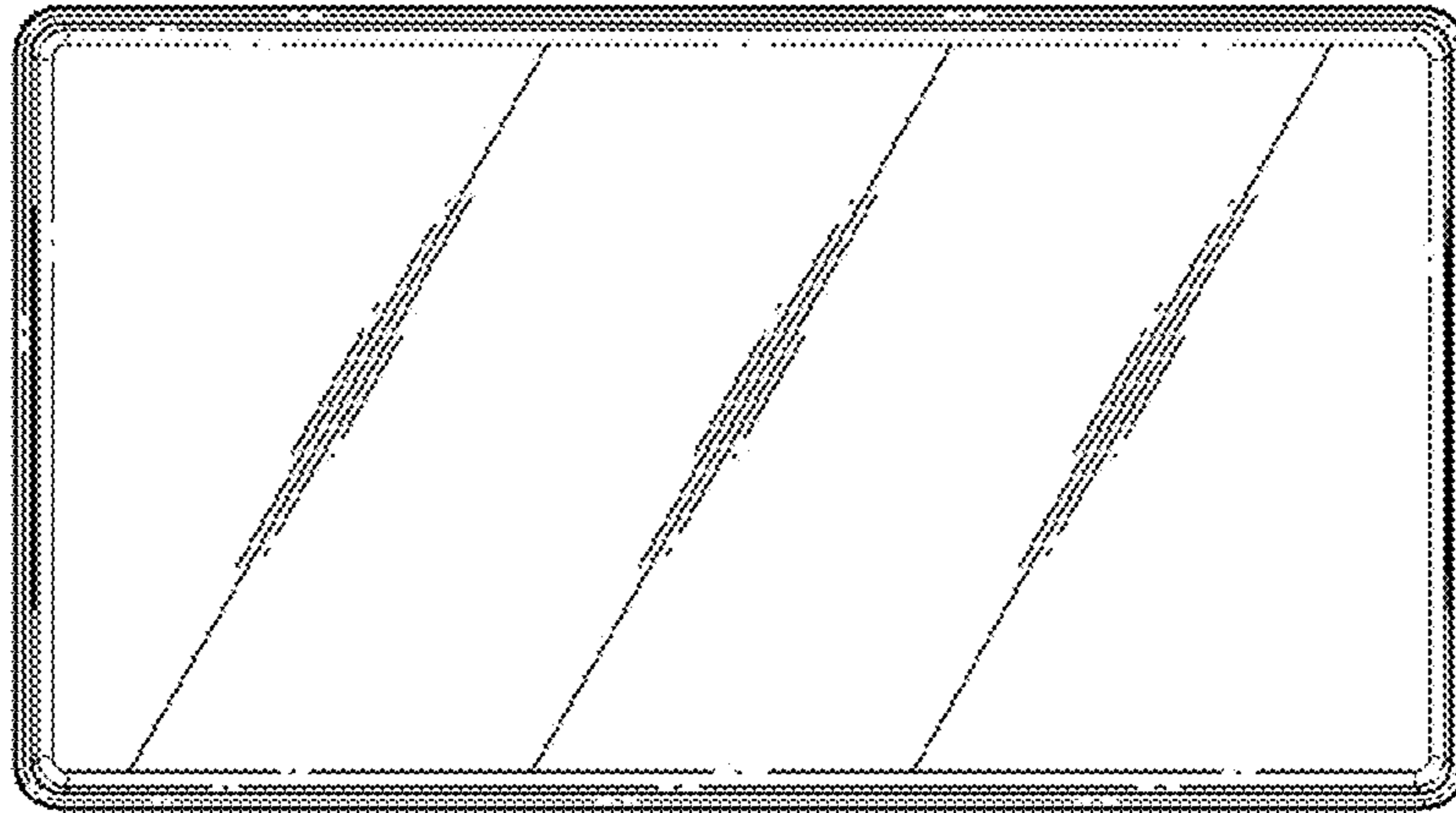


FIG. 5

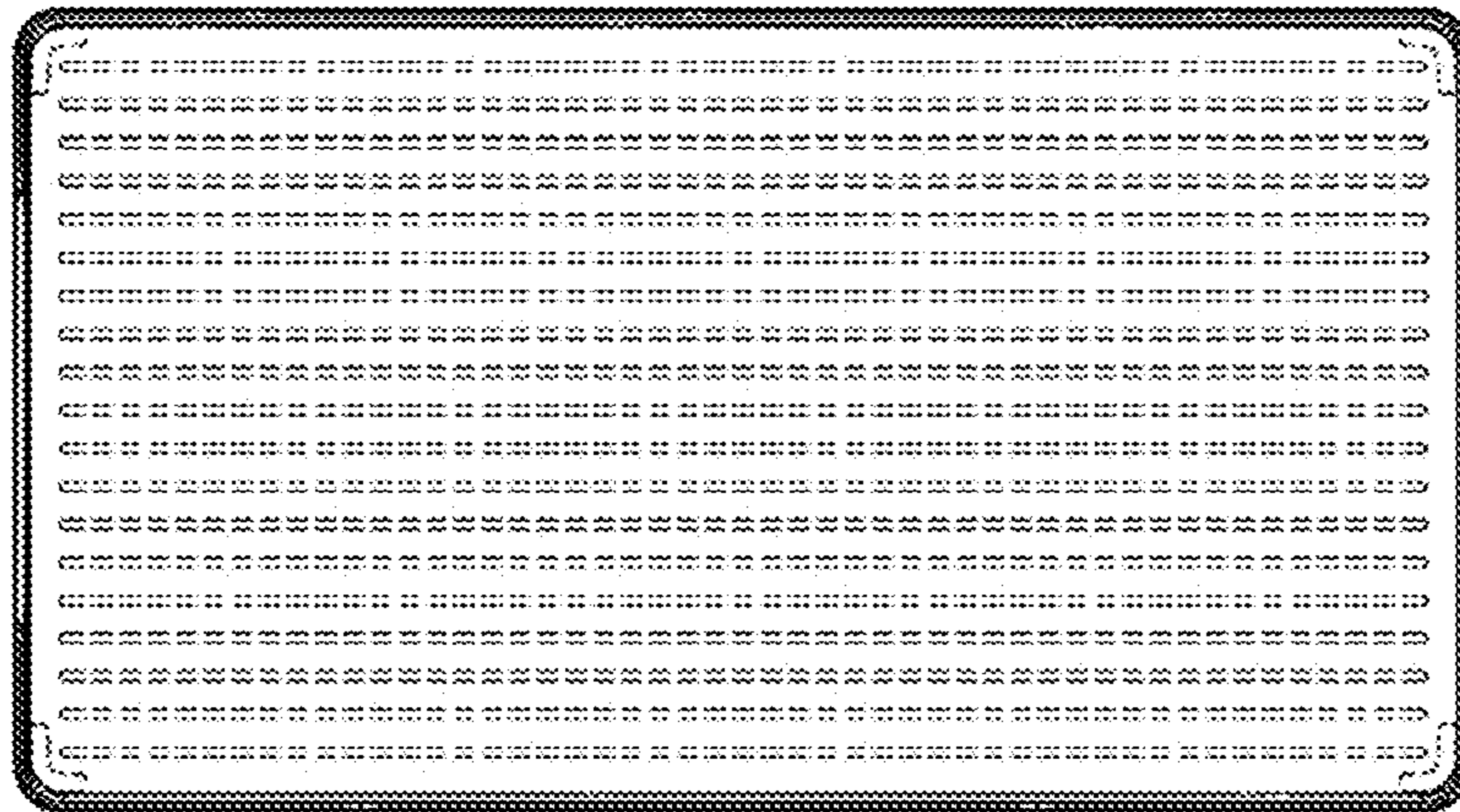


FIG. 6