



US00D878050S

(12) **United States Design Patent**
Kraemer

(10) **Patent No.:** **US D878,050 S**

(45) **Date of Patent:** **** Mar. 17, 2020**

(54) **BIN OPENING**

- (71) Applicant: **InterDesign, Inc.**, Solon, OH (US)
- (72) Inventor: **Kevin Francis Kraemer**, Cuyahoga Falls, OH (US)
- (73) Assignee: **InterDesign, Inc.**, Solon, OH (US)
- (**) Term: **15 Years**
- (21) Appl. No.: **29/656,713**
- (22) Filed: **Jul. 16, 2018**

Related U.S. Application Data

- (63) Continuation of application No. 29/614,789, filed on Aug. 23, 2017, now Pat. No. Des. 826,061, which is
(Continued)
- (51) **LOC (12) Cl.** **03-01**
- (52) **U.S. Cl.**
USPC **D3/307**
- (58) **Field of Classification Search**
USPC D3/307-309, 200-201, 203.1, 203.3,
D3/205-206, 303-315; D32/37;
(Continued)

(56) **References Cited**

U.S. PATENT DOCUMENTS

- D156,327 S * 12/1949 Erickson D3/311
 - D286,339 S * 10/1986 van Berne D3/305
- (Continued)

Primary Examiner — Nathan M Johnston

(74) *Attorney, Agent, or Firm* — Calfee, Halter & Griswold, LLP

(57) **CLAIM**

I claim the ornamental design for a bin opening, as shown and described.

DESCRIPTION

FIG. 1 is a front/right/top perspective view of a first embodiment of a bin opening (a front/left/top perspective view would be a mirror image thereof);

FIG. 2 is a rear/left/bottom perspective view thereof (a rear/right/bottom perspective view would be a mirror image thereof);

FIG. 3 is a front elevational view thereof;

FIG. 4 is a rear elevational view thereof;

FIG. 5 is a left side elevational view thereof;

FIG. 6 is a right side elevational view thereof;

FIG. 7 is a top plan view thereof; and

FIG. 8 is a bottom plan view thereof.

FIG. 9 is a front/right/top perspective view of a second embodiment of a bin opening (a front/left/top perspective view would be a mirror image thereof);

FIG. 10 is a rear/left/bottom perspective view thereof (a rear/right/bottom perspective view would be a mirror image thereof);

FIG. 11 is a front elevational view thereof;

FIG. 12 is a rear elevational view thereof;

FIG. 13 is a left side elevational view thereof;

FIG. 14 is a right side elevational view thereof;

FIG. 15 is a top plan view thereof; and

FIG. 16 is a bottom plan view thereof.

FIG. 17 is a front/right/top perspective view of a third embodiment of a bin opening (a front/left/top perspective view would be a mirror image thereof);

FIG. 18 is a rear/left/bottom perspective view thereof (a rear/right/bottom perspective view would be a mirror image thereof);

FIG. 19 is a front elevational view thereof;

FIG. 20 is a rear elevational view thereof;

FIG. 21 is a left side elevational view thereof;

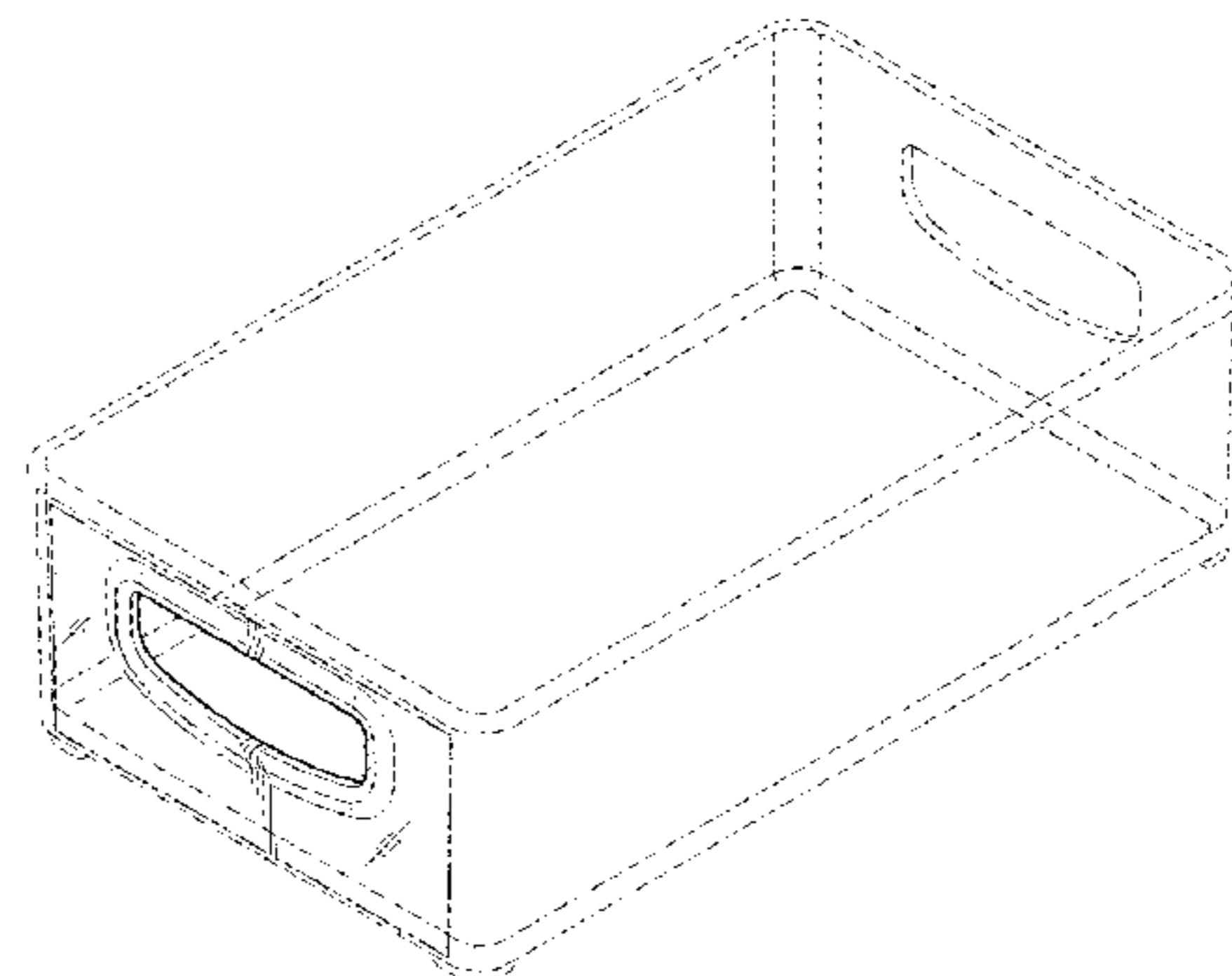
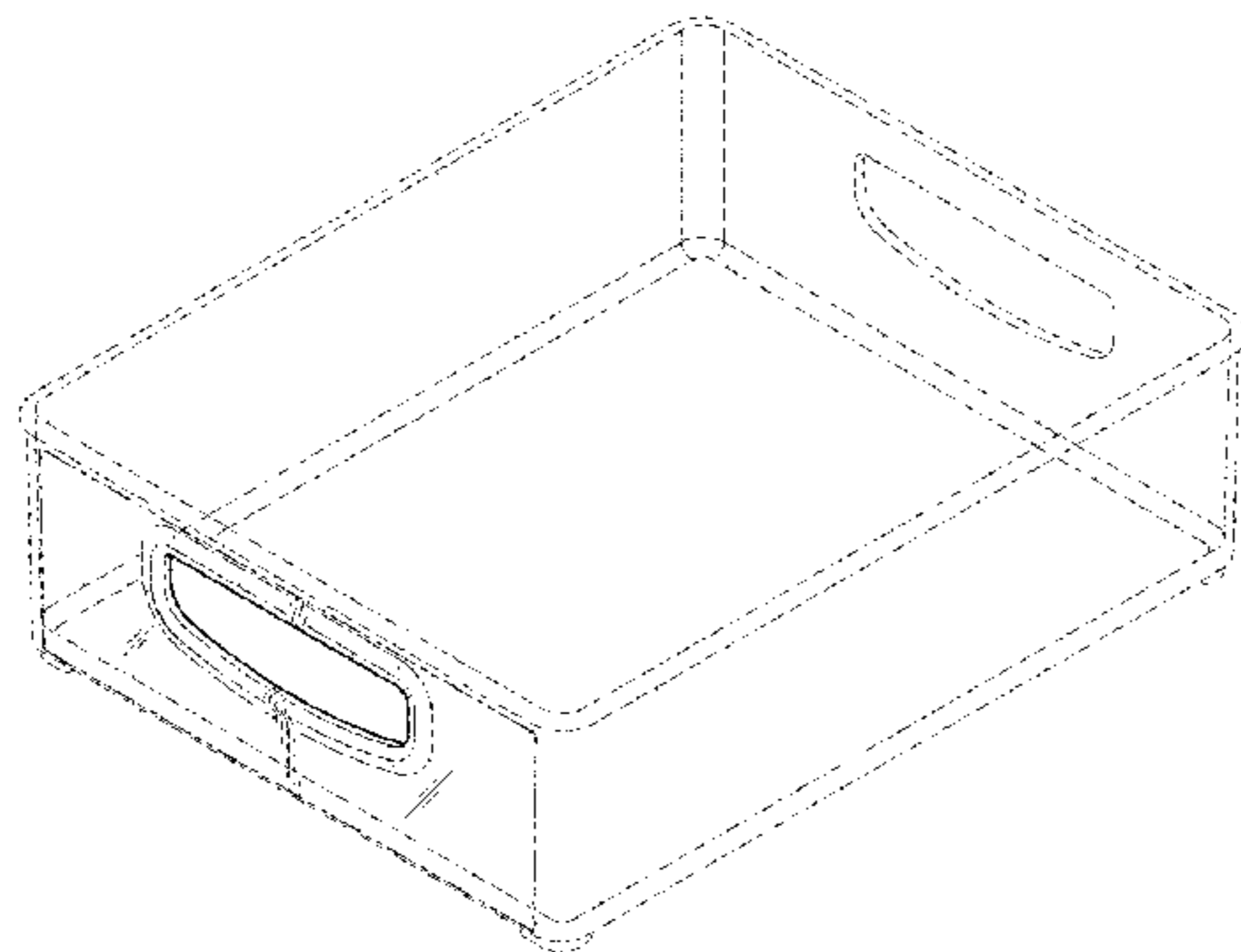
FIG. 22 is a right side elevational view thereof;

FIG. 23 is a top plan view thereof; and

FIG. 24 is a bottom plan view thereof.

The dashed dot lines immediately adjacent to the shaded areas in the figures represent the boundaries of the claimed design. The dashed lines in the figures illustrate the portions of the design that form no part of the claimed design. None of the broken lines form any part of the claimed design.

1 Claim, 14 Drawing Sheets



Related U.S. Application Data

a continuation of application No. 29/551,071, filed on Jan. 11, 2016, now Pat. No. Des. 799,219, which is a continuation of application No. 29/503,223, filed on Sep. 24, 2014, now Pat. No. Des. 750,443, which is a continuation of application No. 29/480,138, filed on Jan. 23, 2014, now abandoned, which is a continuation of application No. 29/444,254, filed on Jan. 29, 2013, now Pat. No. Des. 698,612.

(58) **Field of Classification Search**

USPC D9/643–644, 645–647, 703, 425–426, D9/432; D19/75, 77, 86, 90, 92, 100; 206/503–507, 510, 512, 564, 822; 220/607, 643, 659, 676, 657; 229/100, 229/406, 913–914
 CPC B65D 81/3813; B65D 21/00
 See application file for complete search history.

(56) **References Cited**

U.S. PATENT DOCUMENTS

4,643,306 A * 2/1987 Ryan B07C 7/02
 206/425

D328,101 S * 7/1992 Rorke D19/75
 D376,452 S * 12/1996 Breen D32/37
 D380,299 S * 7/1997 Schlaeger D3/310
 D421,183 S * 2/2000 Koskinen D3/304
 D423,587 S * 4/2000 Conley D19/75
 D477,145 S * 7/2003 Sofy D3/307
 D518,526 S * 4/2006 Benn D19/90
 D643,585 S * 8/2011 Duvigneau D32/37
 D657,562 S * 4/2012 McNamara D3/304
 D677,056 S * 3/2013 Hu D3/306
 8,424,710 B2 * 4/2013 Orgeldinger B65D 11/1833
 220/6
 D699,437 S * 2/2014 Del Solar D3/315
 D706,506 S * 6/2014 Duvigneau D32/37
 D710,442 S * 8/2014 Stravitz D19/90
 D710,612 S * 8/2014 Kolano D3/309
 D712,477 S * 9/2014 Stravitz D19/90
 D746,593 S * 1/2016 Kroll D3/307
 D747,102 S * 1/2016 Kraemer D3/307
 D805,402 S * 12/2017 Gamble D9/755
 D808,258 S * 1/2018 Lee D9/431
 D809,797 S * 2/2018 Kraemer D3/307
 D832,115 S * 10/2018 Fitchett D9/711
 D832,580 S * 11/2018 Sanchez-Vizcaino D3/312

* cited by examiner

FIG. 1

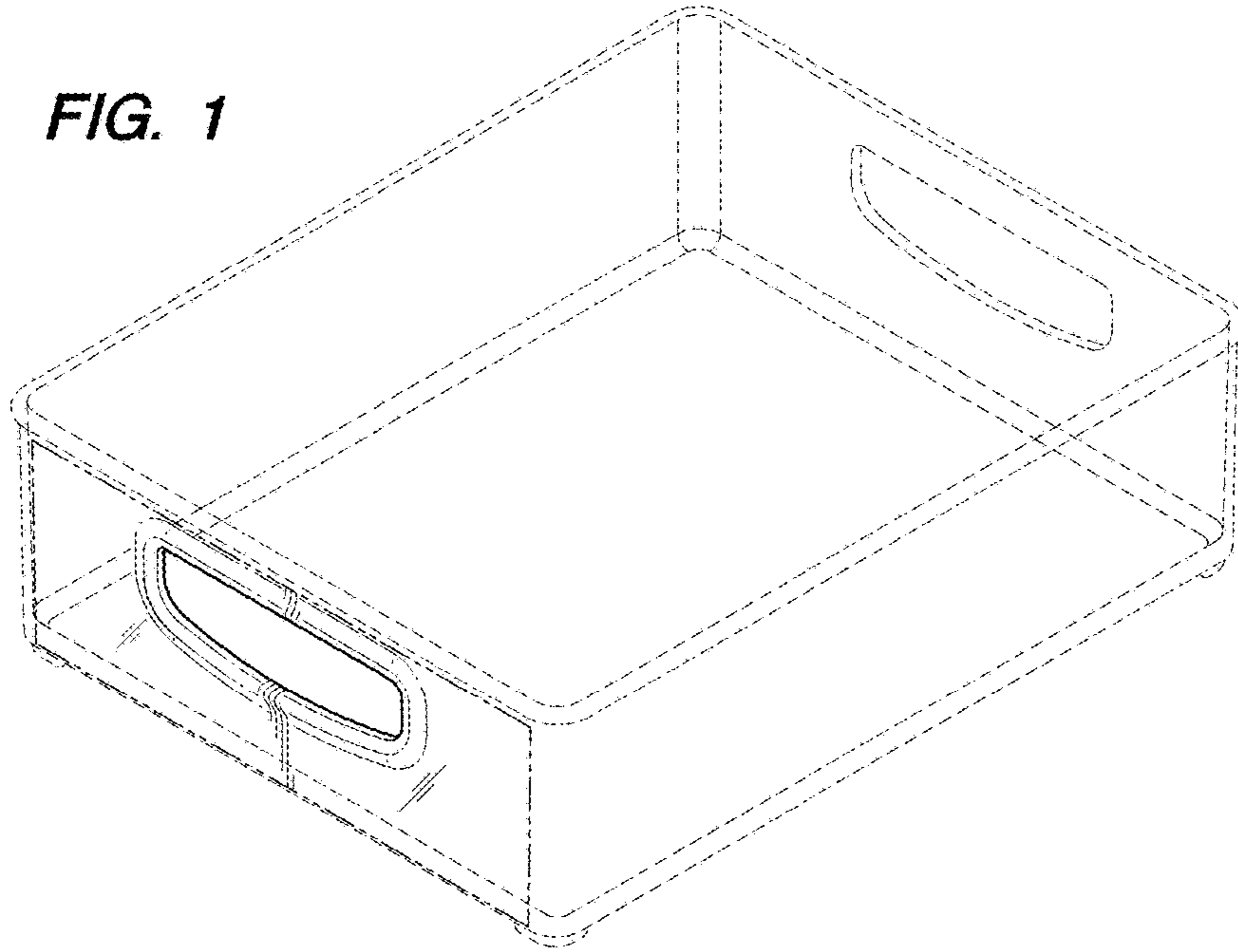
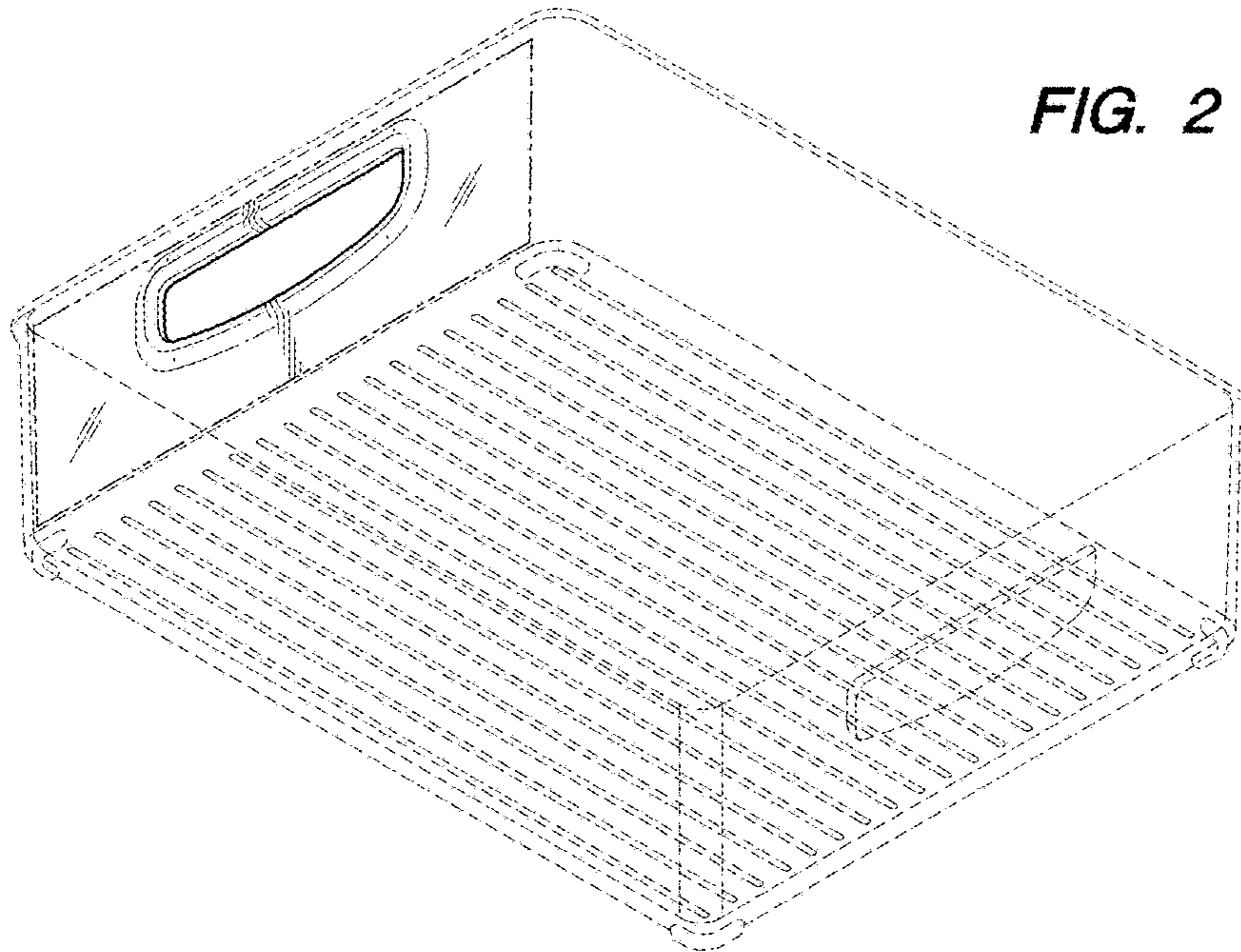


FIG. 2



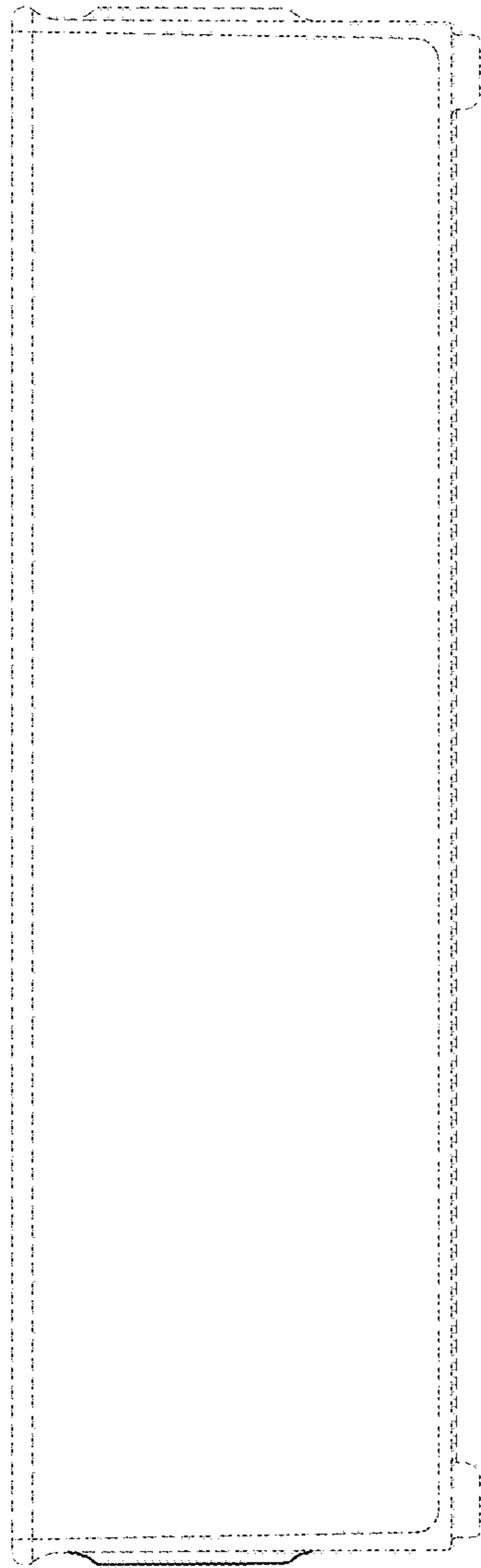


FIG. 3

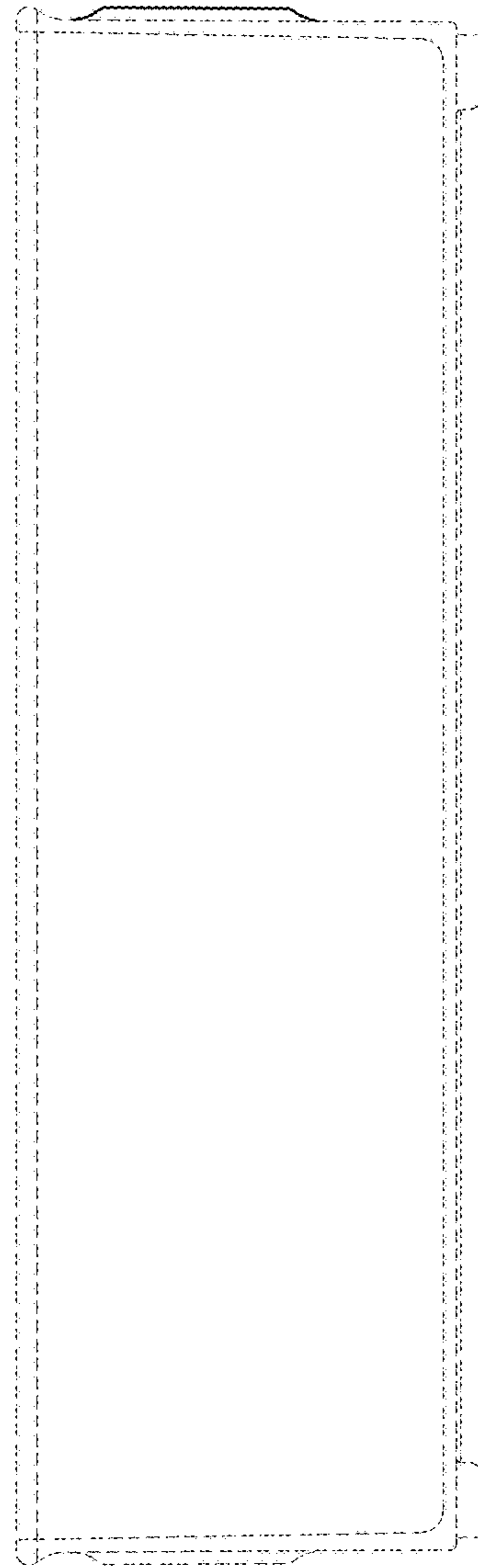


FIG. 4

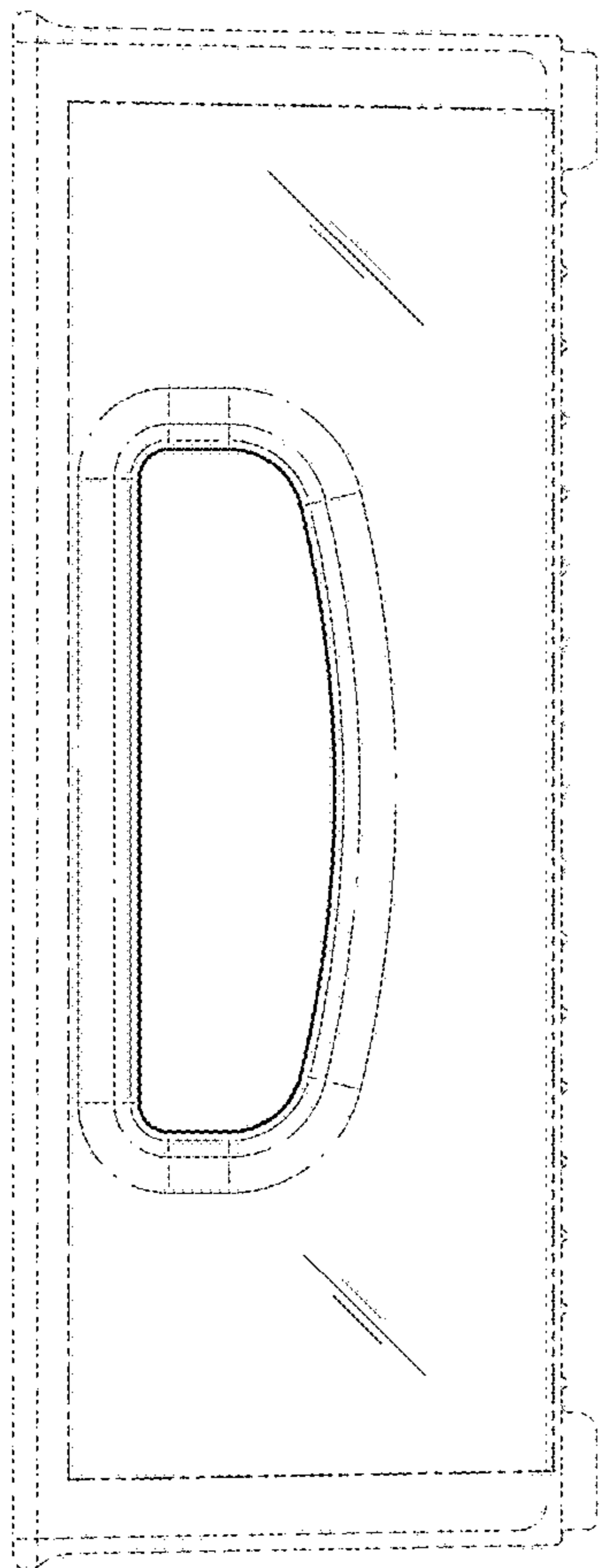


FIG. 5

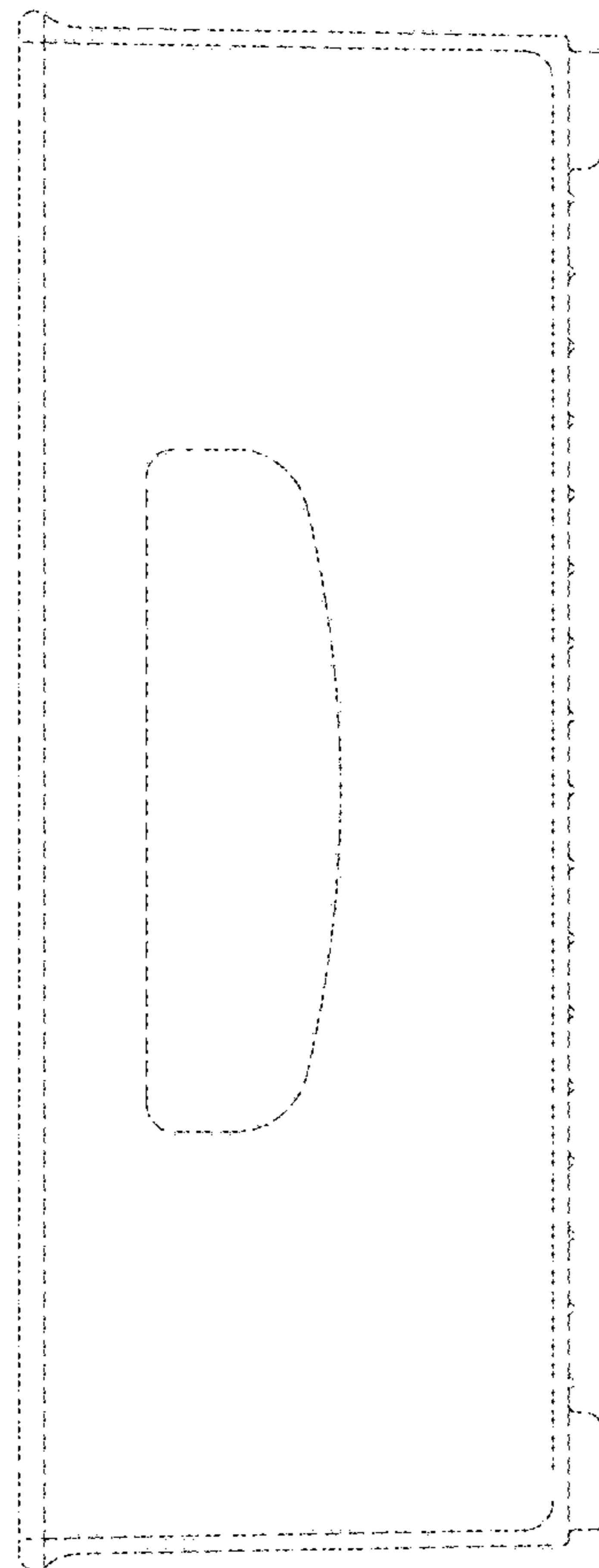


FIG. 6

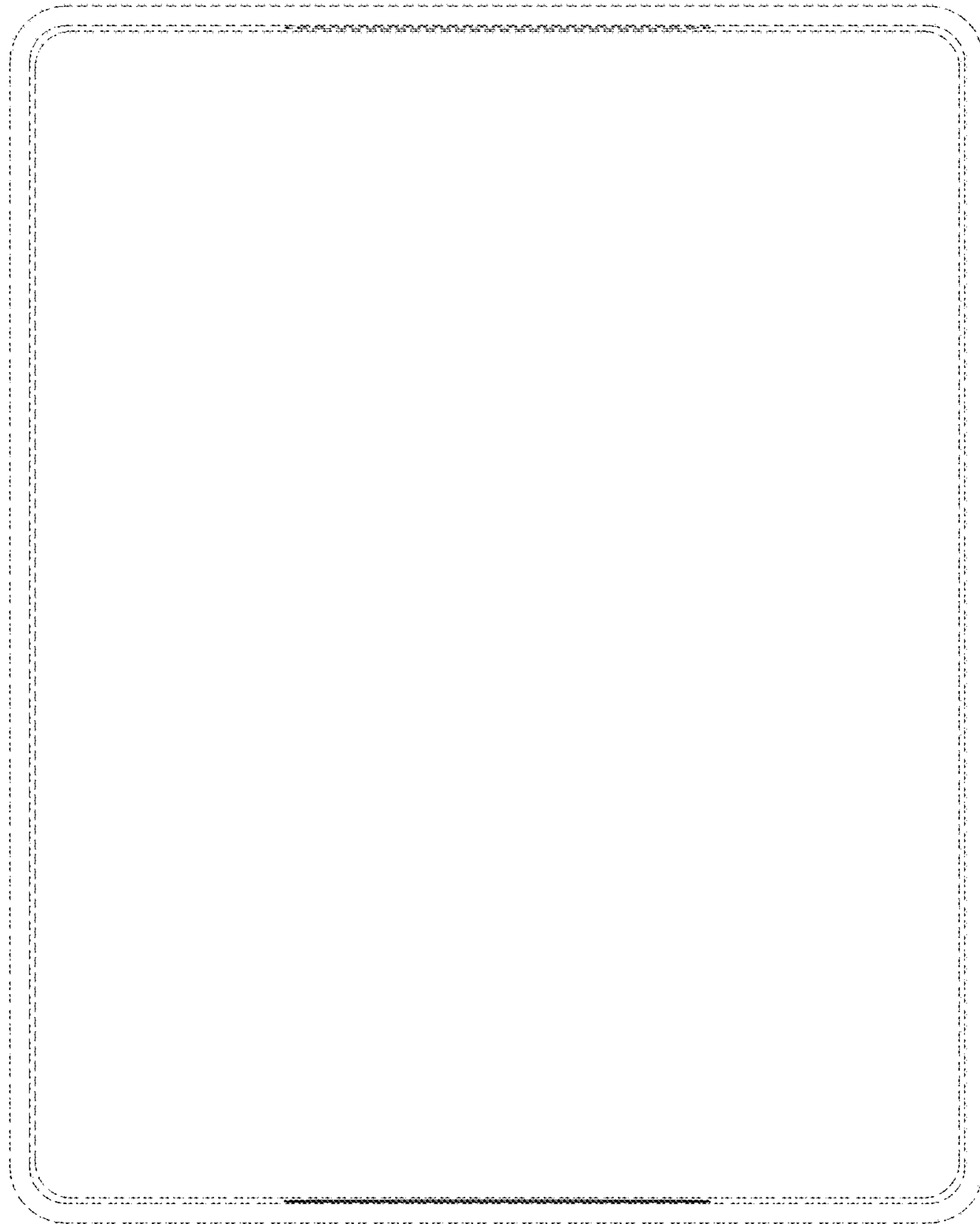


FIG. 7

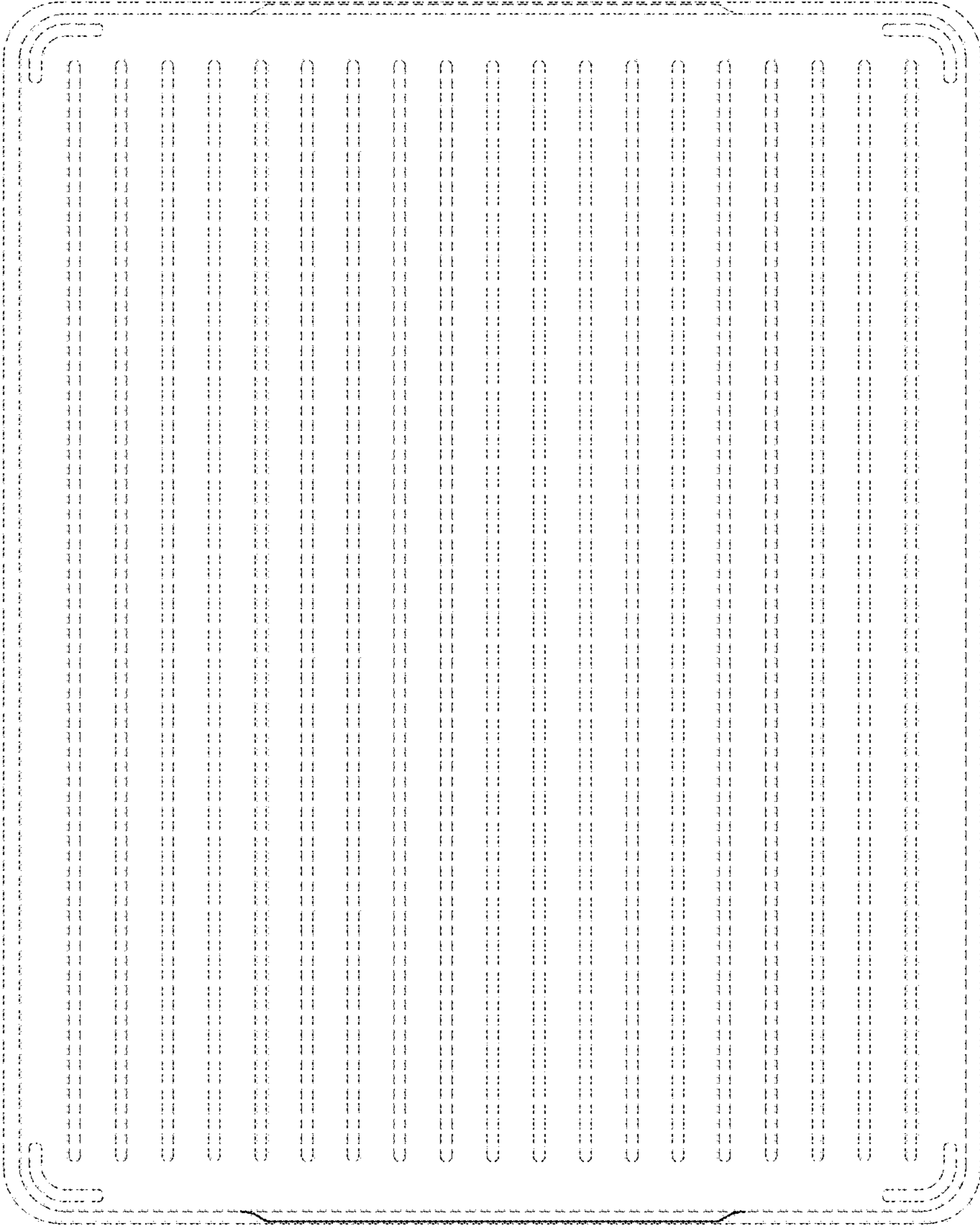


FIG. 8

FIG. 9

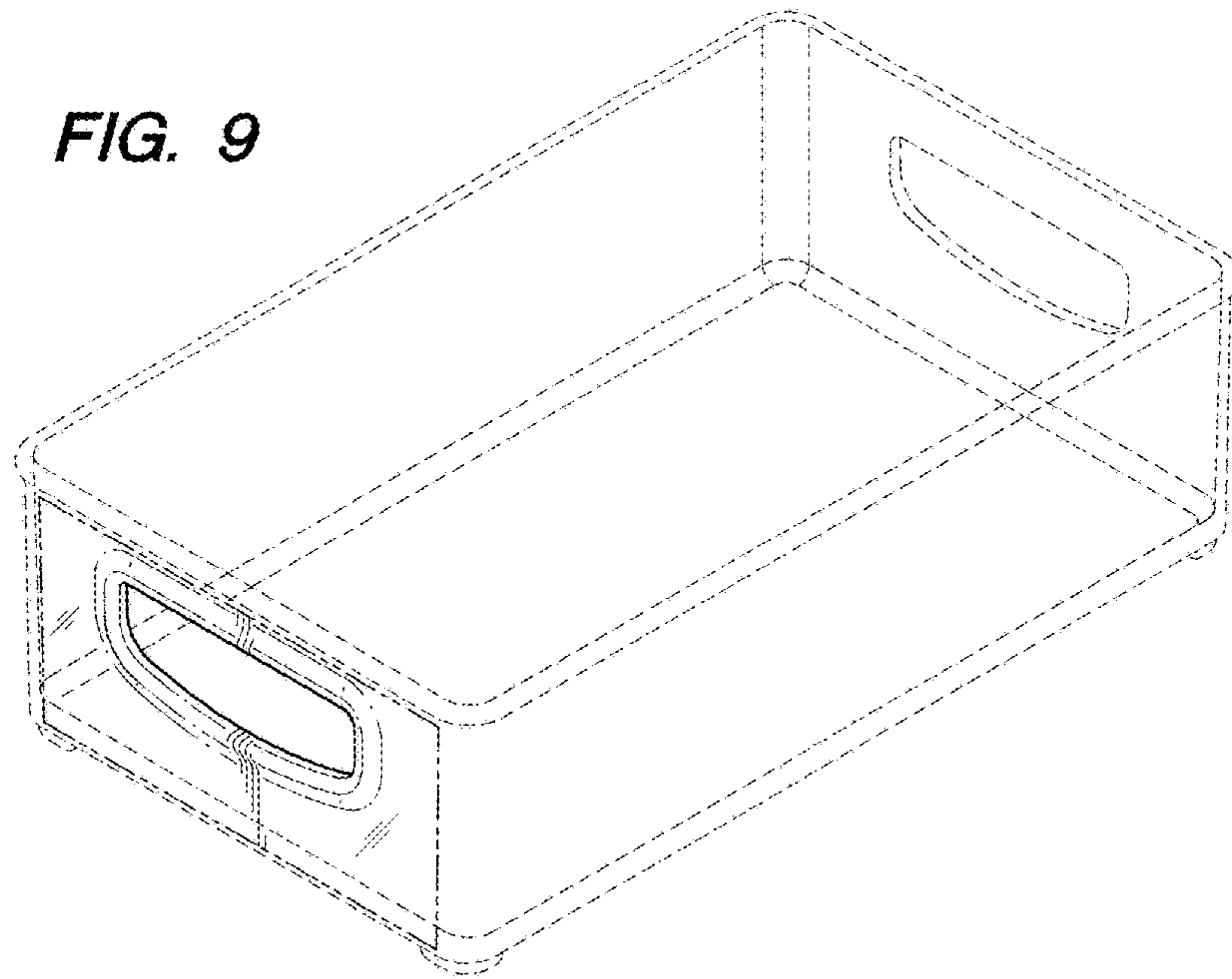
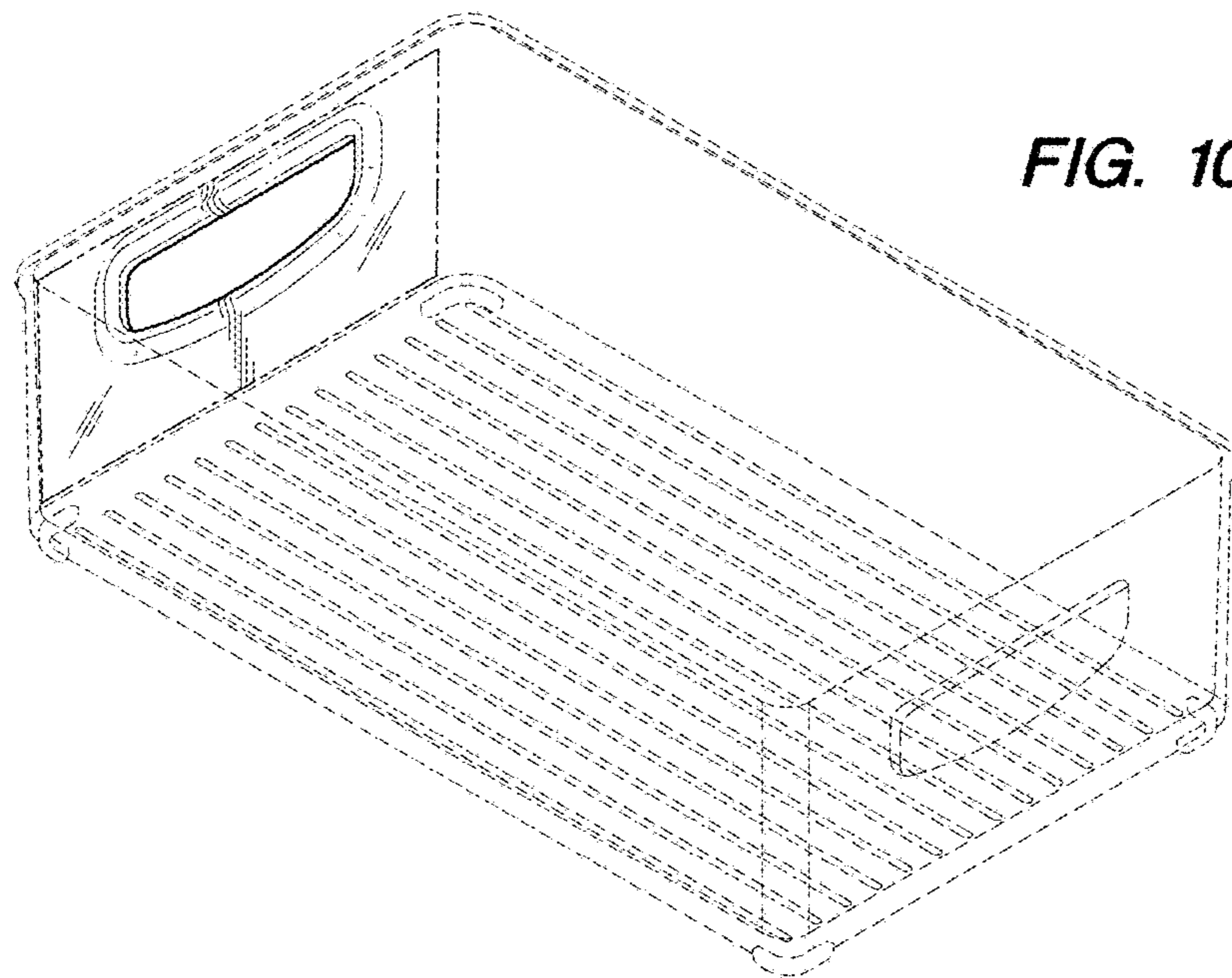


FIG. 10



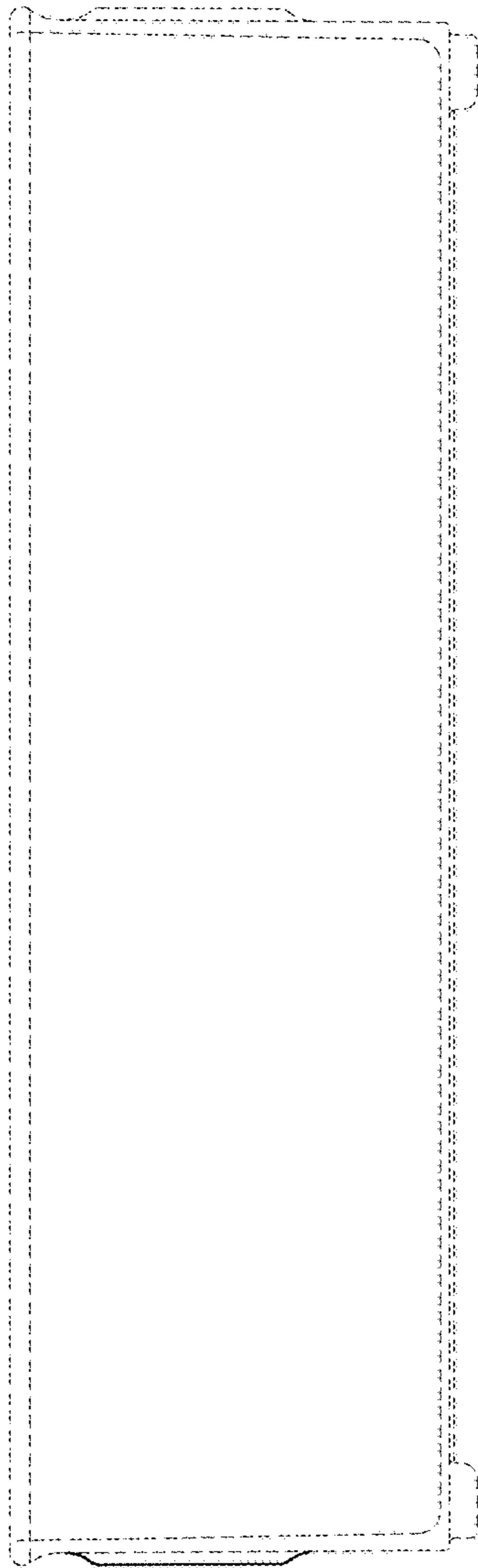


FIG. 11

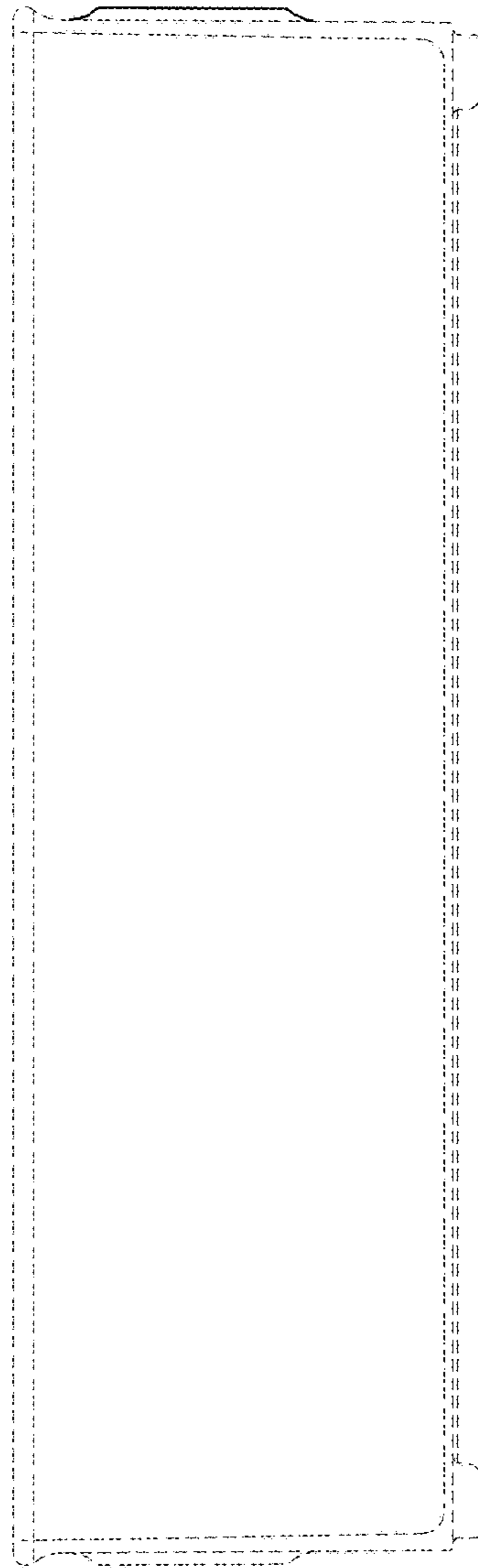


FIG. 12

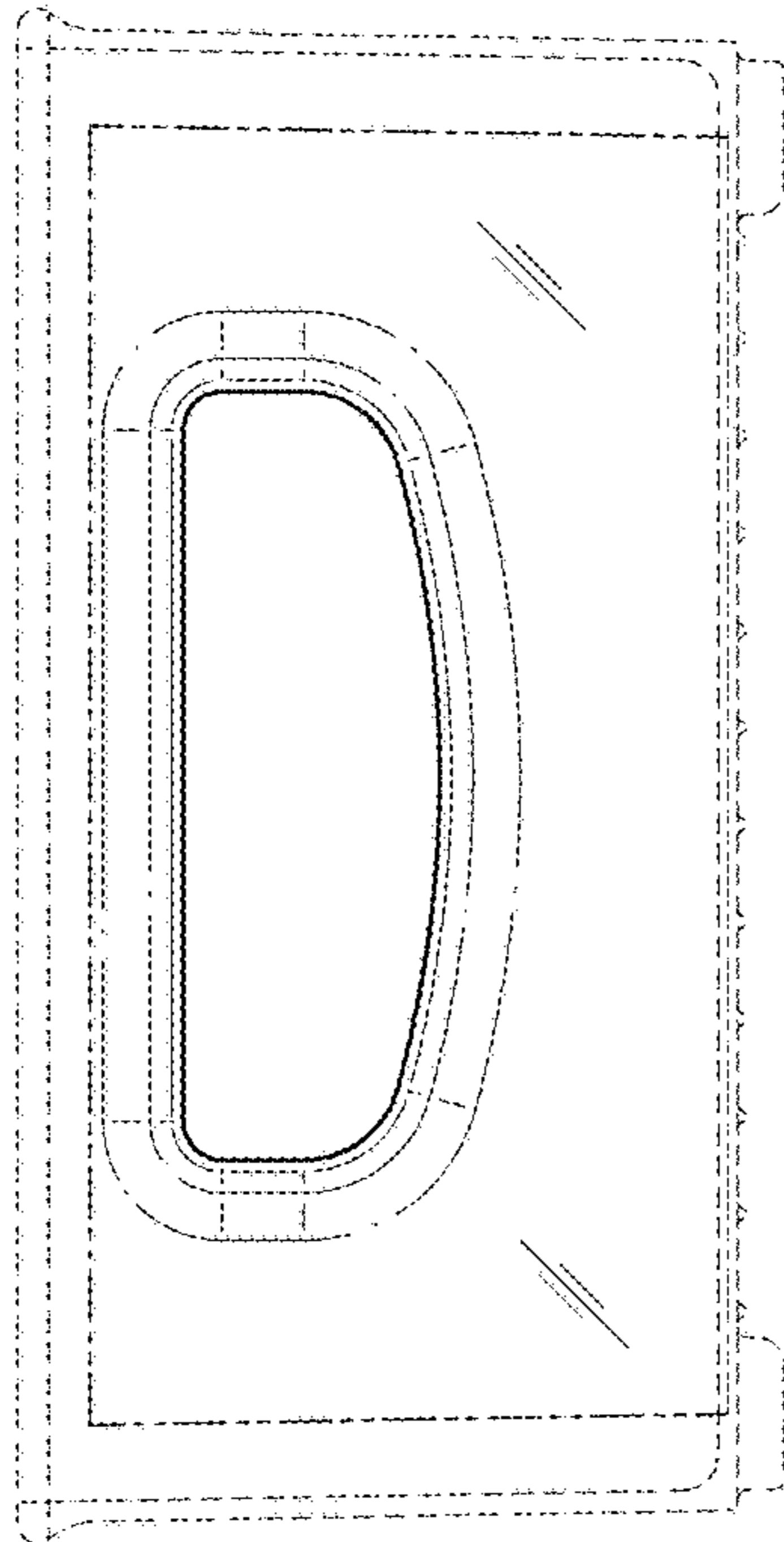


FIG. 13

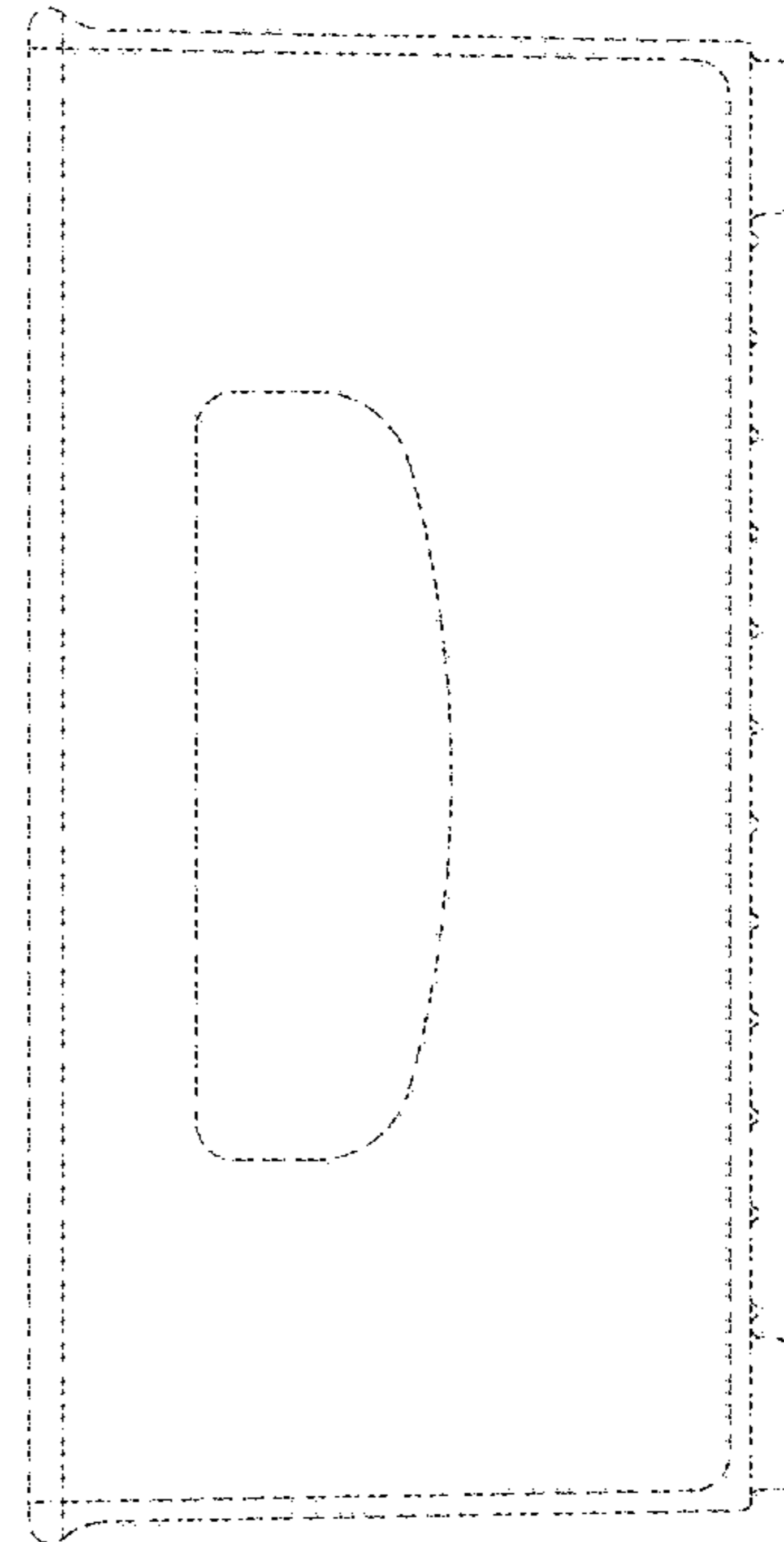


FIG. 14

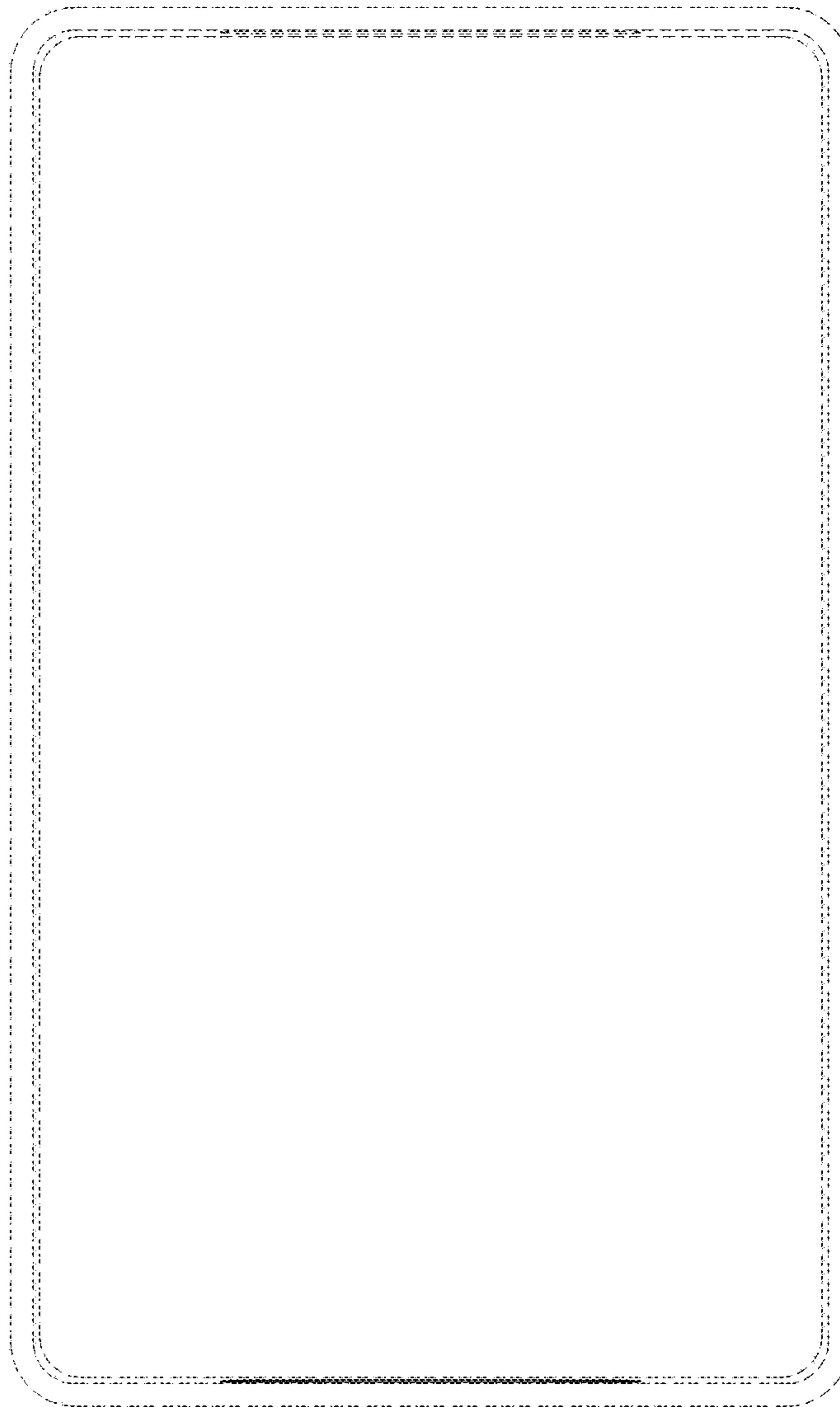


FIG. 15

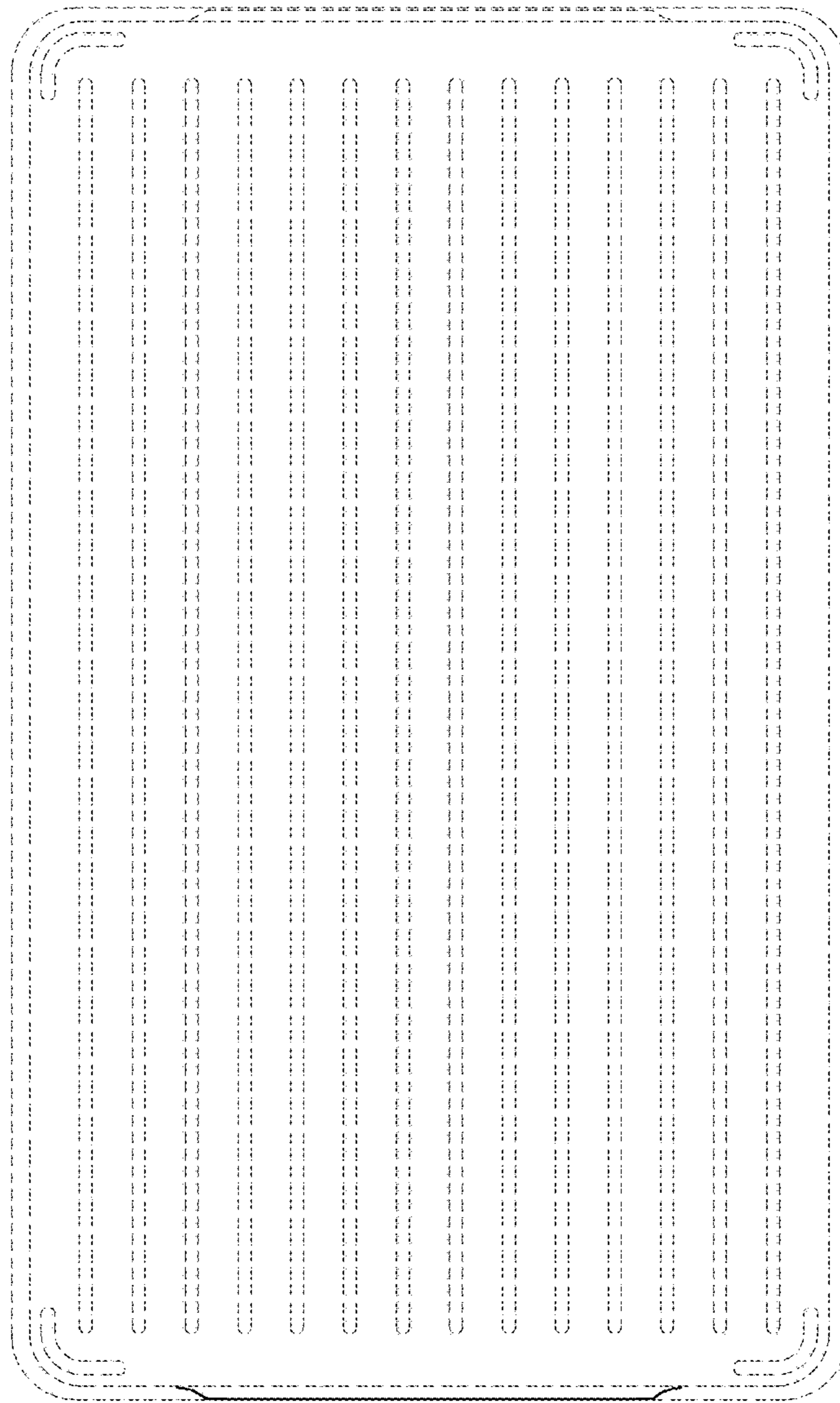


FIG. 16

FIG. 17

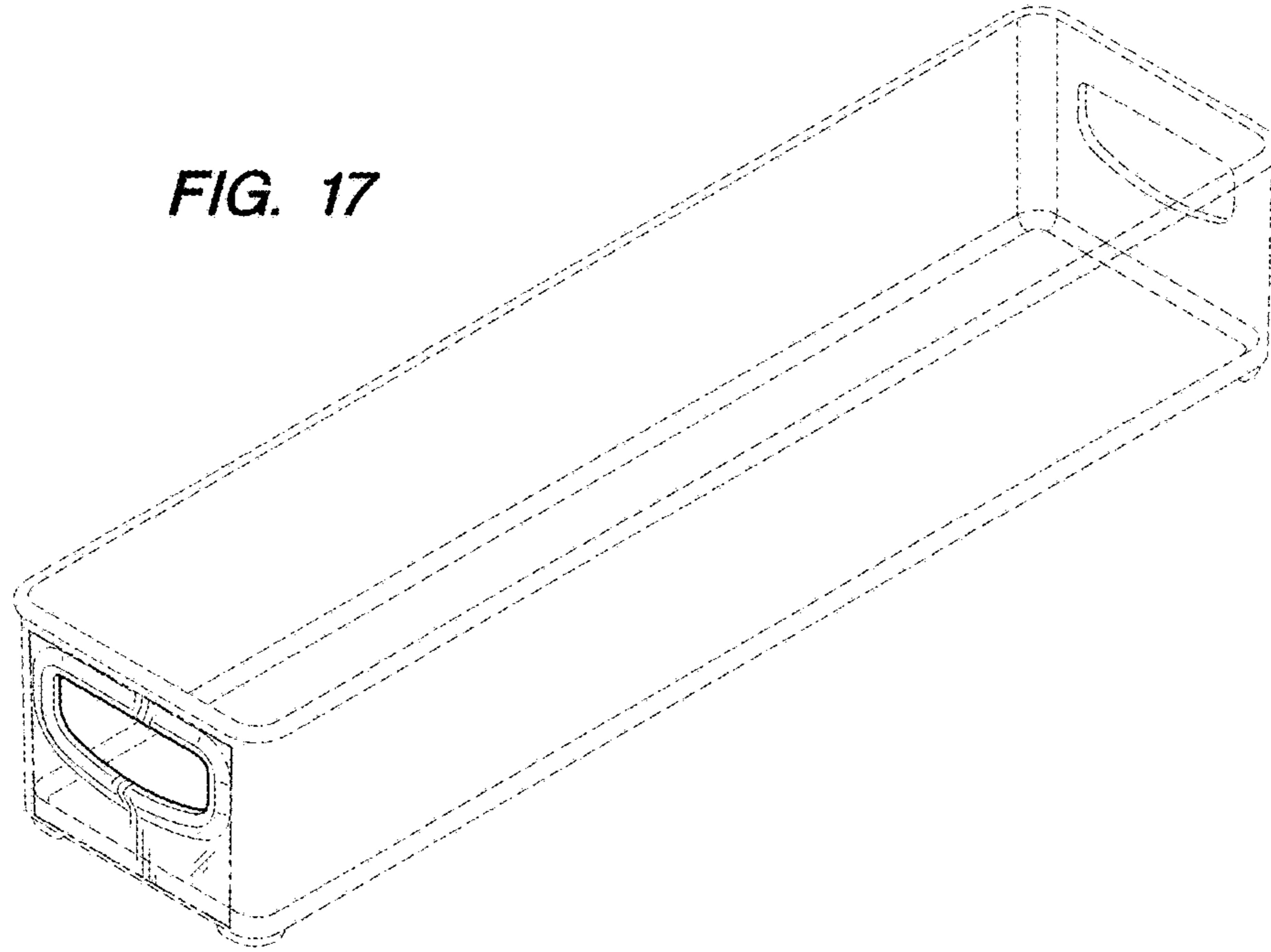
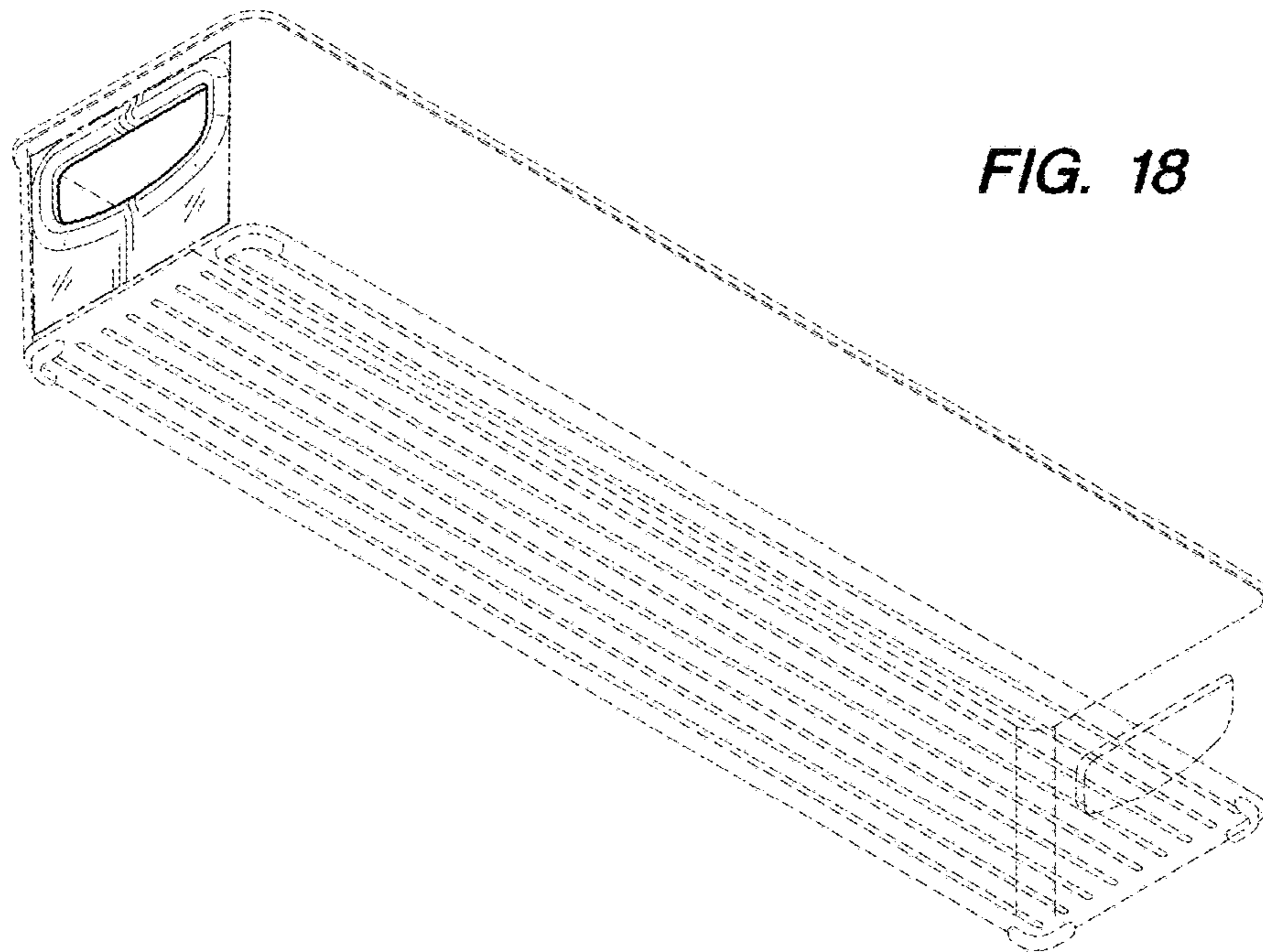


FIG. 18



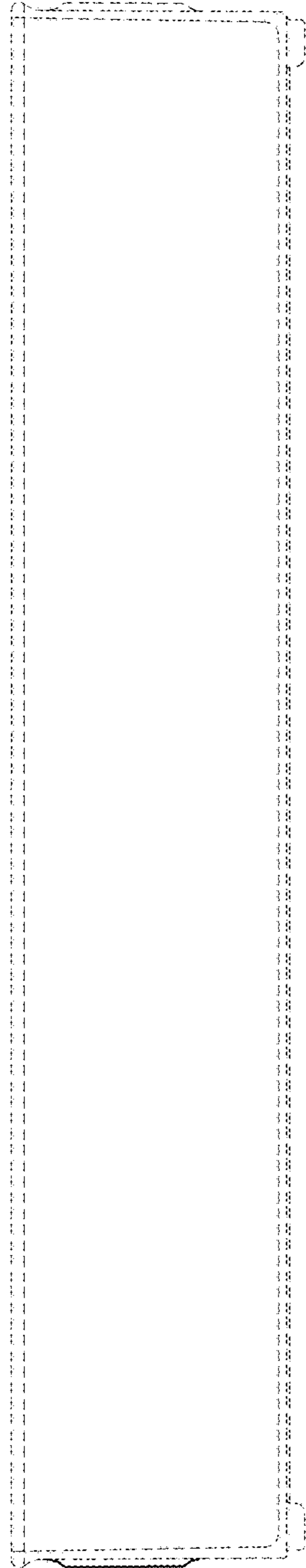


FIG. 19

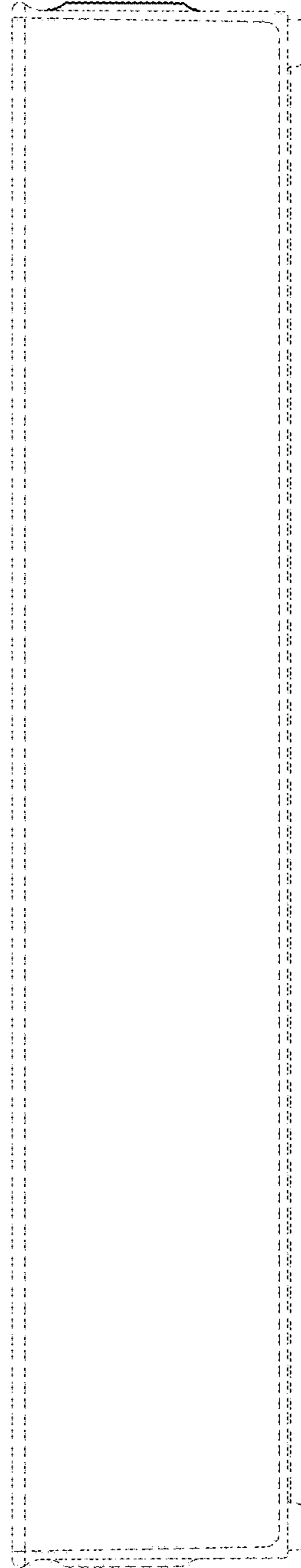


FIG. 20

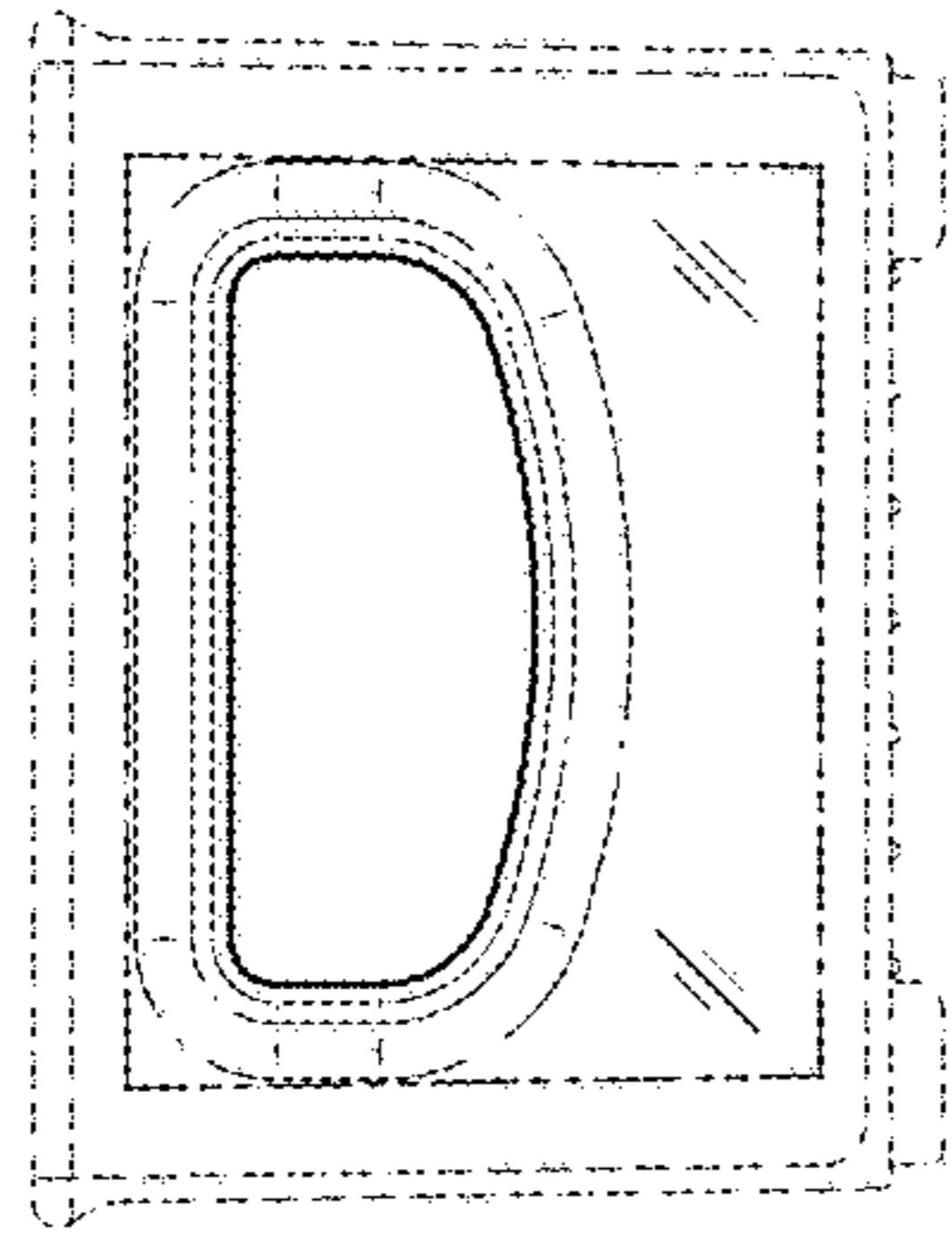


FIG. 21

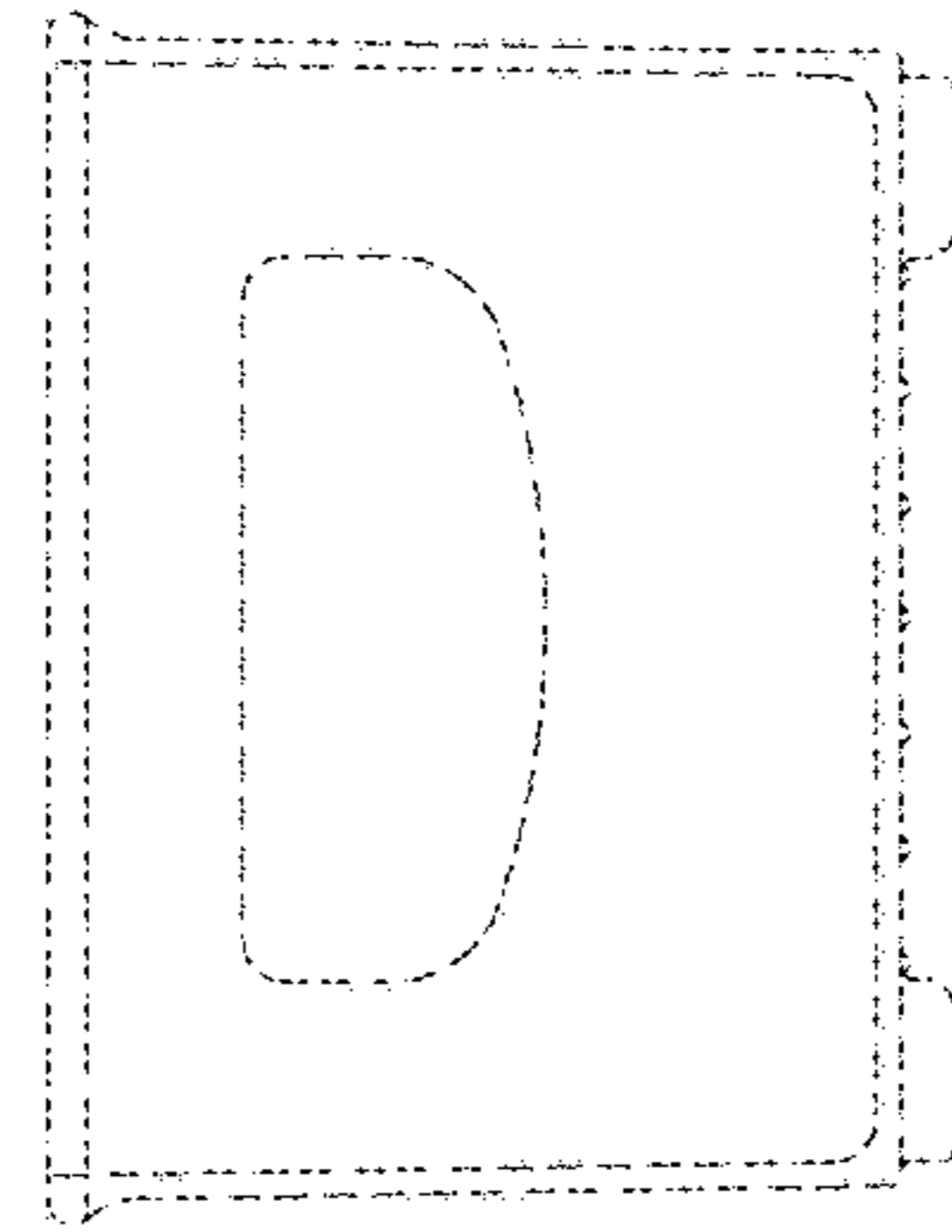


FIG. 22

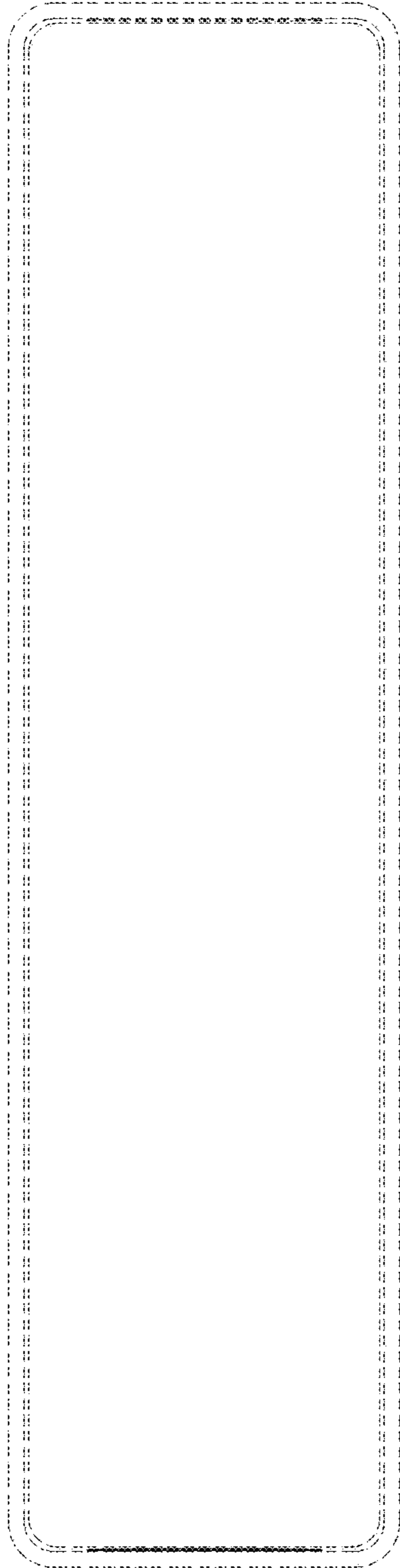


FIG. 23

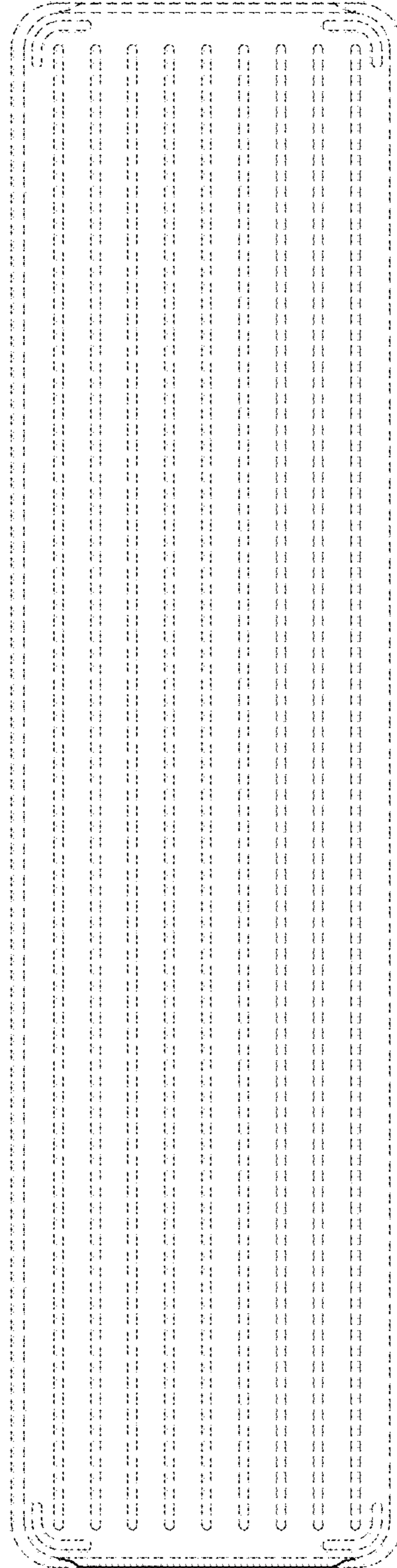


FIG. 24