



US00D878048S

(12) **United States Design Patent**  
**Wang et al.**

(10) **Patent No.:** **US D878,048 S**  
(45) **Date of Patent:** **\*\* Mar. 17, 2020**

(54) **EARPHONE BOX**

(71) Applicant: **Shenzhen Earfun Technology Co., Ltd.**, Shenzhen (CN)

(72) Inventors: **Zili Wang**, Shenzhen (CN); **Zhigang Deng**, Shenzhen (CN); **Fangfang Lan**, Shenzhen (CN)

(73) Assignee: **Shenzhen Earfun Technology Co., Ltd.**, Shenzhen (CN)

(\*\*) Term: **15 Years**

(21) Appl. No.: **29/710,538**

(22) Filed: **Oct. 24, 2019**

(51) **LOC (12) Cl.** ..... **03-01**

(52) **U.S. Cl.**  
USPC ..... **D3/294**

(58) **Field of Classification Search**  
USPC ..... D3/201, 203.1, 203.3, 203.6, 205, 218,  
D3/272-273, 294-295, 301, 319;  
D9/414, 418, 423-426, 430, 432,  
D9/455-457, 721, 737  
CPC ... A45C 11/16; A47F 7/03; A47F 7/02; A47G  
23/06; A61B 2019/5208  
See application file for complete search history.

(56) **References Cited**

**U.S. PATENT DOCUMENTS**

D481,532 S \* 11/2003 Sayers ..... D3/203.1  
D586,557 S \* 2/2009 Jalet ..... D3/294

D641,164 S \* 7/2011 Cornu ..... D3/294  
D740,018 S \* 10/2015 Zhang ..... D3/201  
D772,572 S \* 11/2016 Palmborg ..... D3/201  
D817,640 S \* 5/2018 Dang ..... D3/294  
D821,970 S \* 7/2018 Loermann ..... D13/107  
D839,583 S 2/2019 Cao  
D841,581 S \* 2/2019 Bonahoom ..... D13/108  
D846,264 S 4/2019 Wu  
D849,401 S \* 5/2019 Akana ..... D3/274  
D851,913 S 6/2019 Yu  
D865,663 S \* 11/2019 Yao ..... D13/108  
D870,451 S \* 12/2019 Birger ..... D3/201

\* cited by examiner

*Primary Examiner* — Holly E Thurman

(74) *Attorney, Agent, or Firm* — ScienBiziP, P.C.

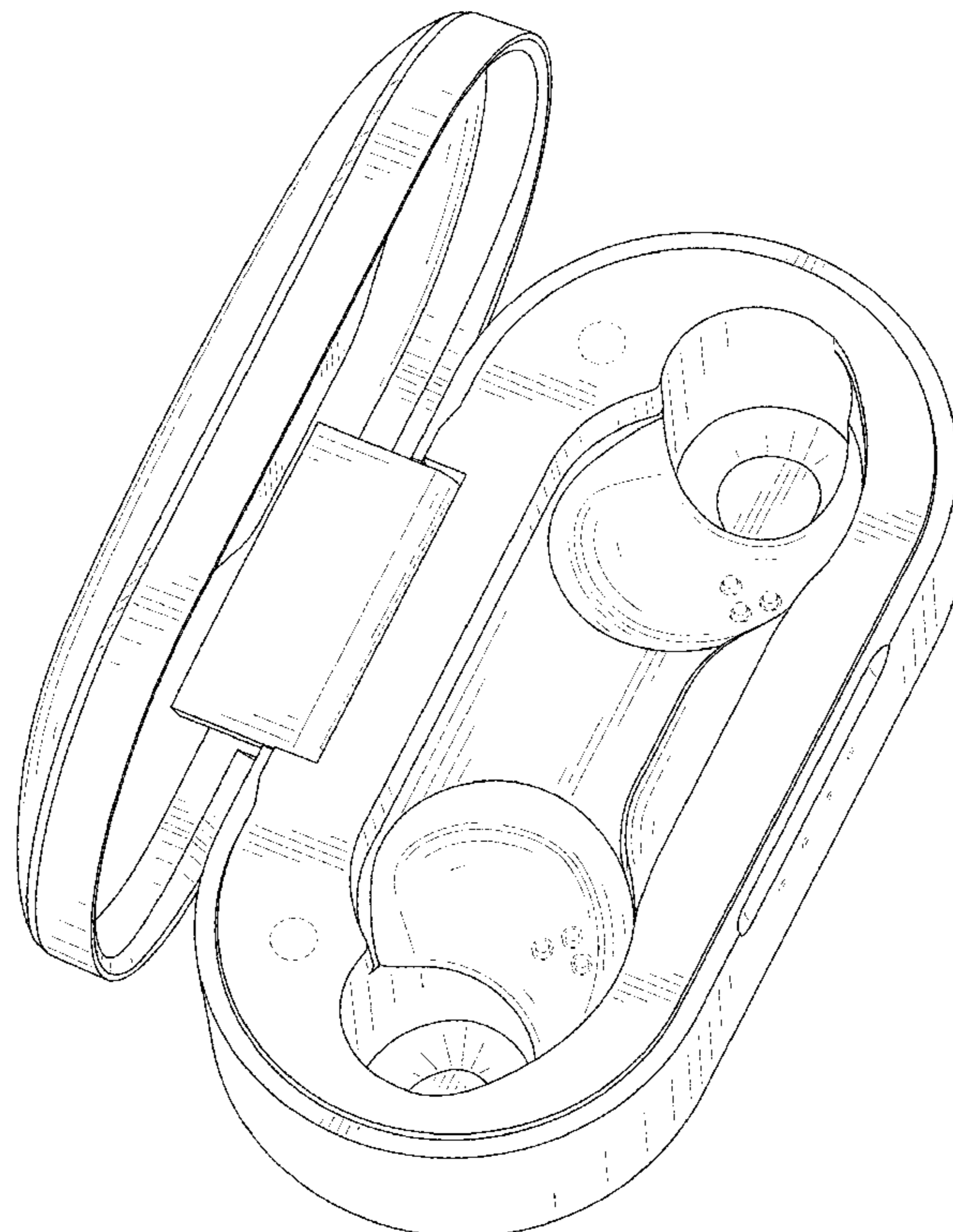
(57) **CLAIM**

The ornamental design for an earphone box, as shown and described.

**DESCRIPTION**

FIG. 1 is a top, front, left side perspective view of an earphone box, showing our design.  
FIG. 2 is a bottom, rear, right side perspective view thereof.  
FIG. 3 is a front elevation view thereof.  
FIG. 4 is a rear elevation view thereof.  
FIG. 5 is a left side elevation view thereof.  
FIG. 6 is a right side elevation view thereof.  
FIG. 7 is a top plan view thereof.  
FIG. 8 is a bottom plan view thereof; and,  
FIG. 9 is a perspective view thereof, shown in a closed state.  
The details shown in broken lines form no part of the claimed design.

**1 Claim, 9 Drawing Sheets**



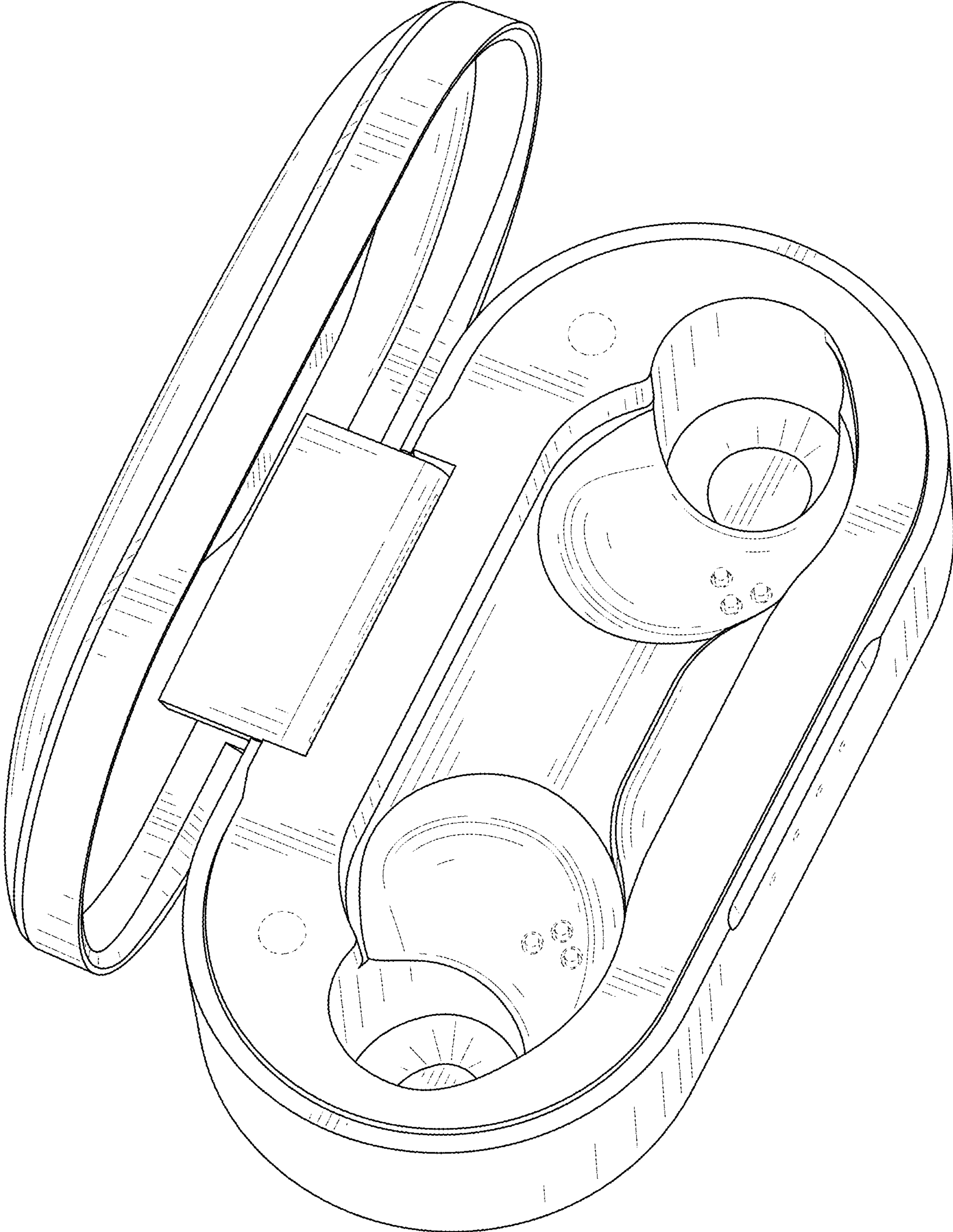


FIG. 1

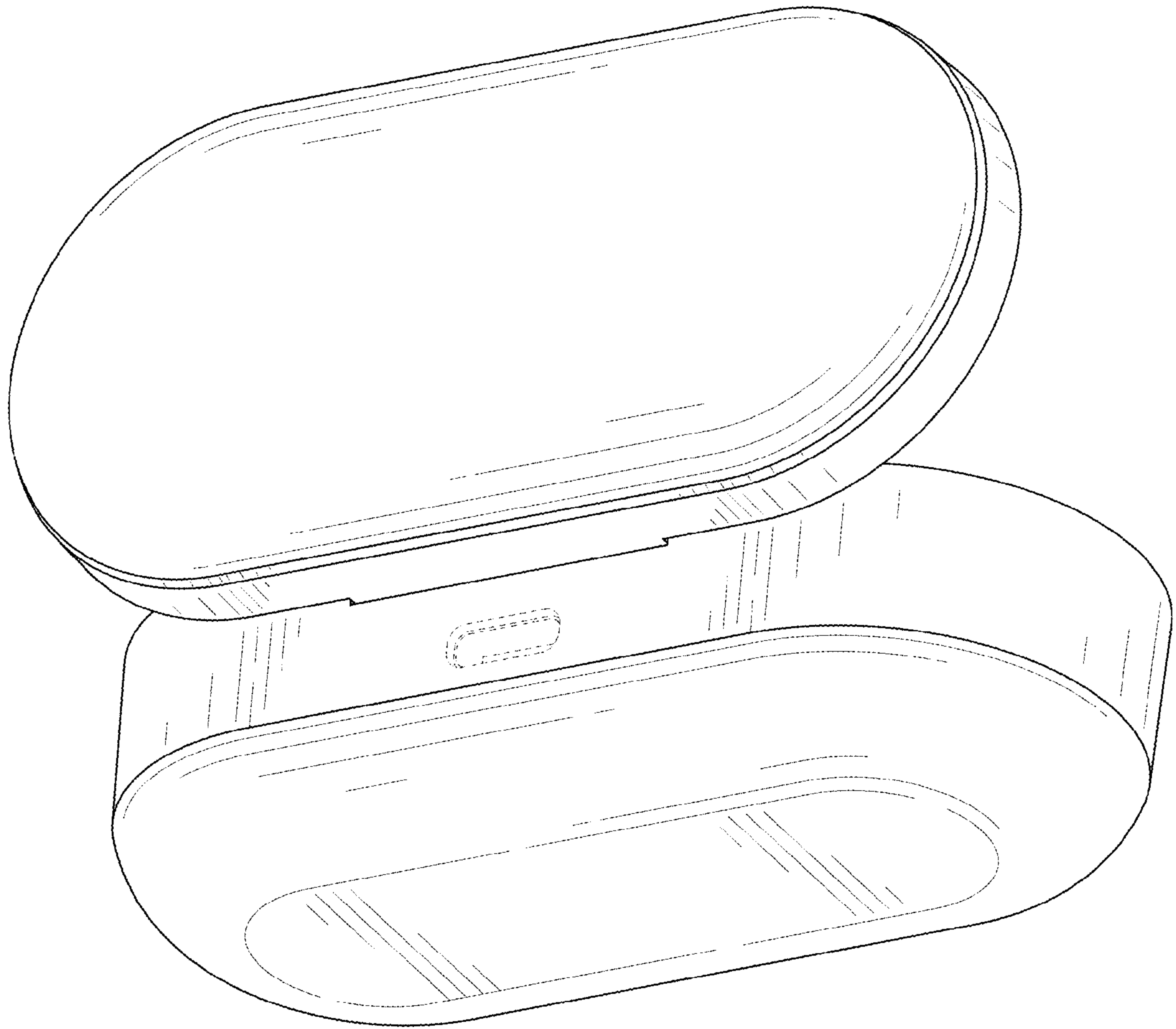


FIG. 2

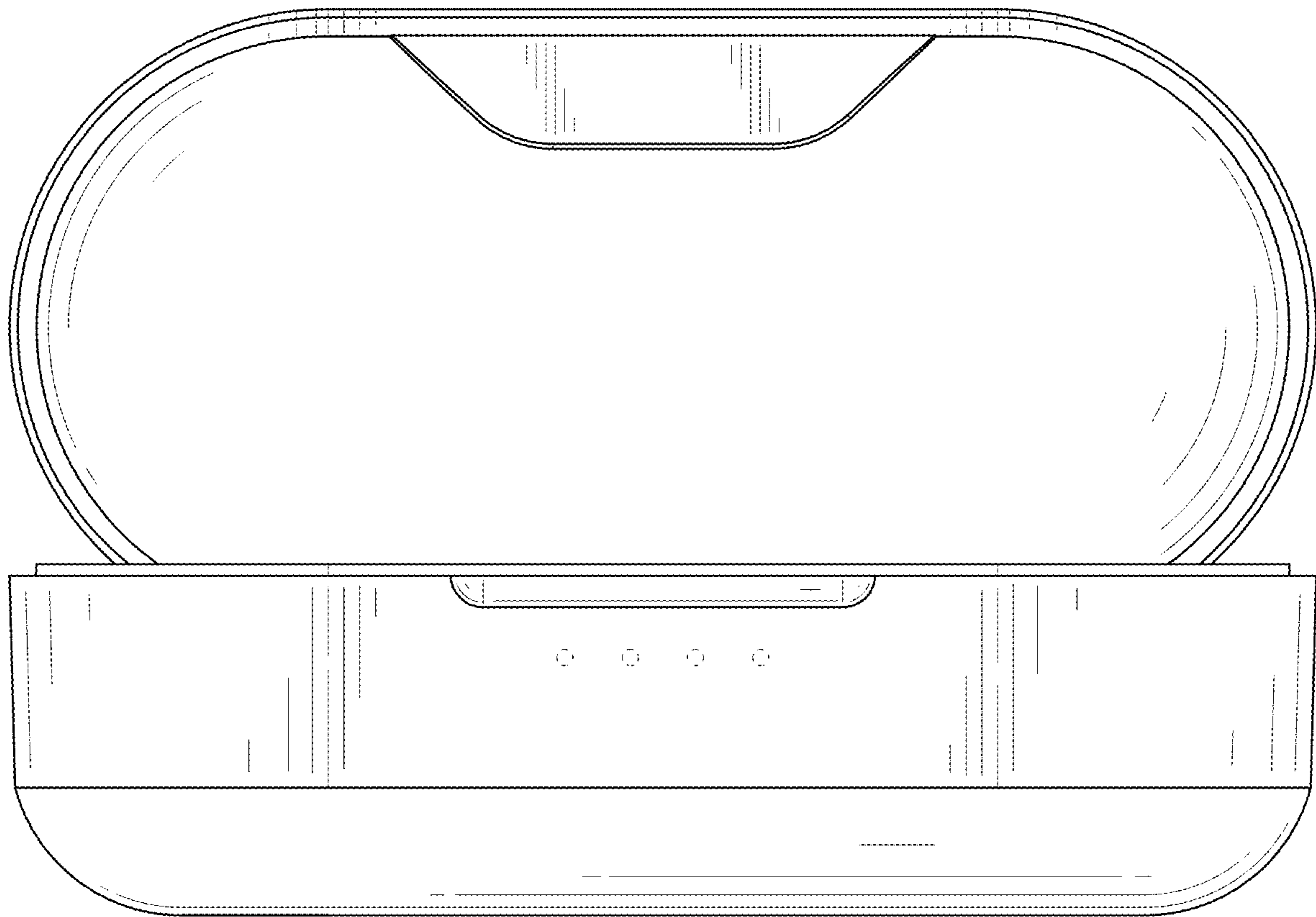


FIG. 3

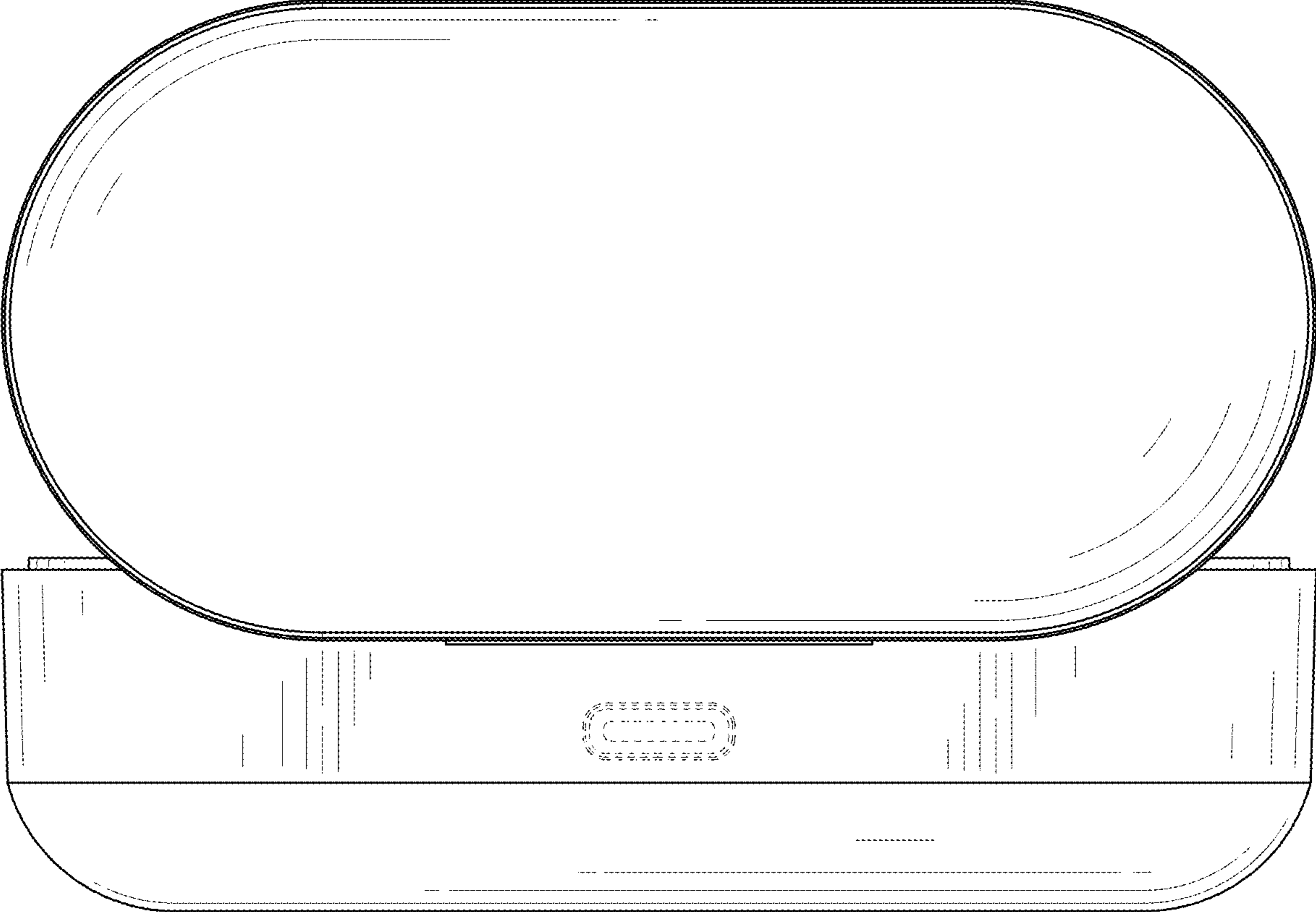


FIG. 4

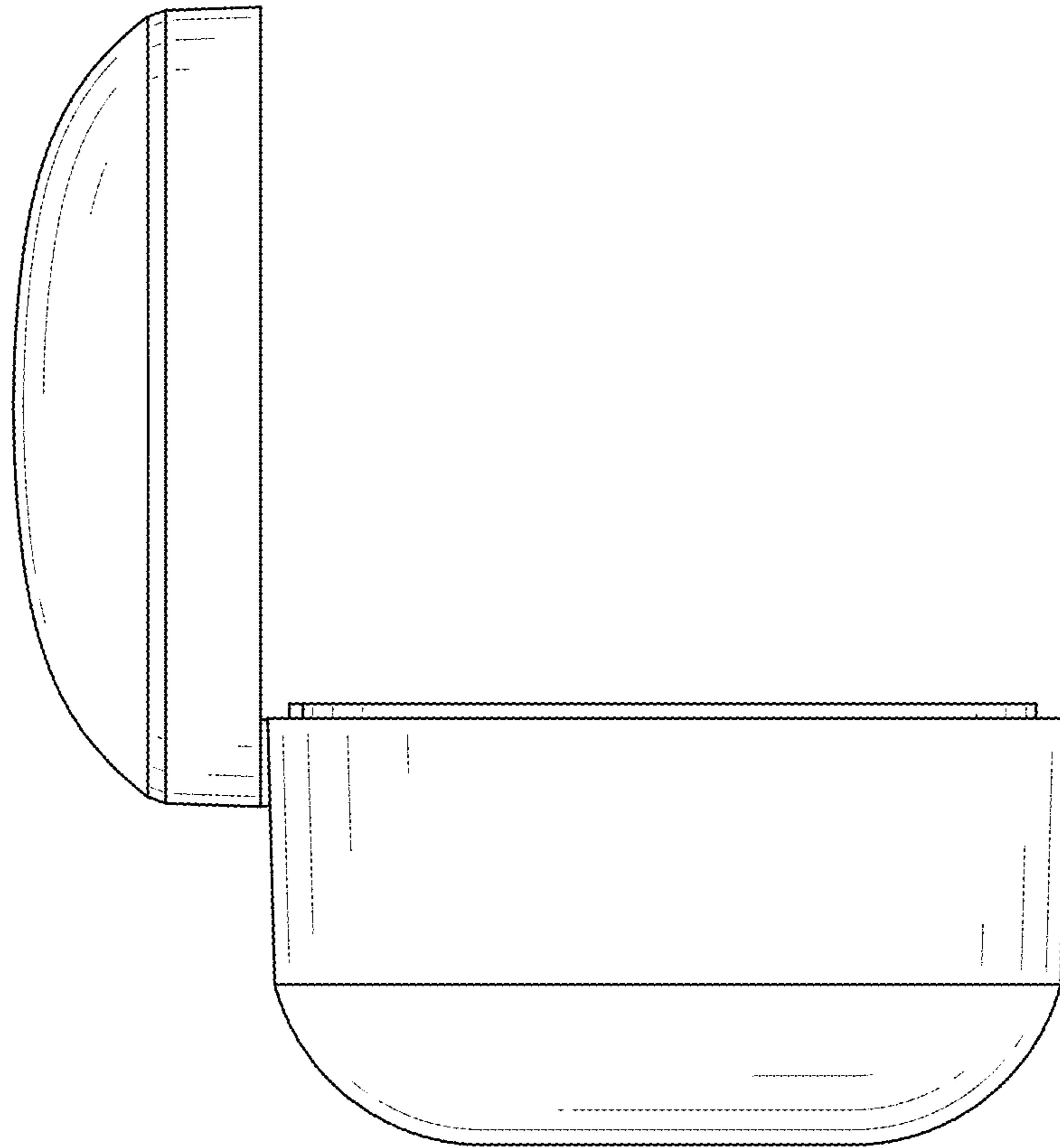


FIG. 5

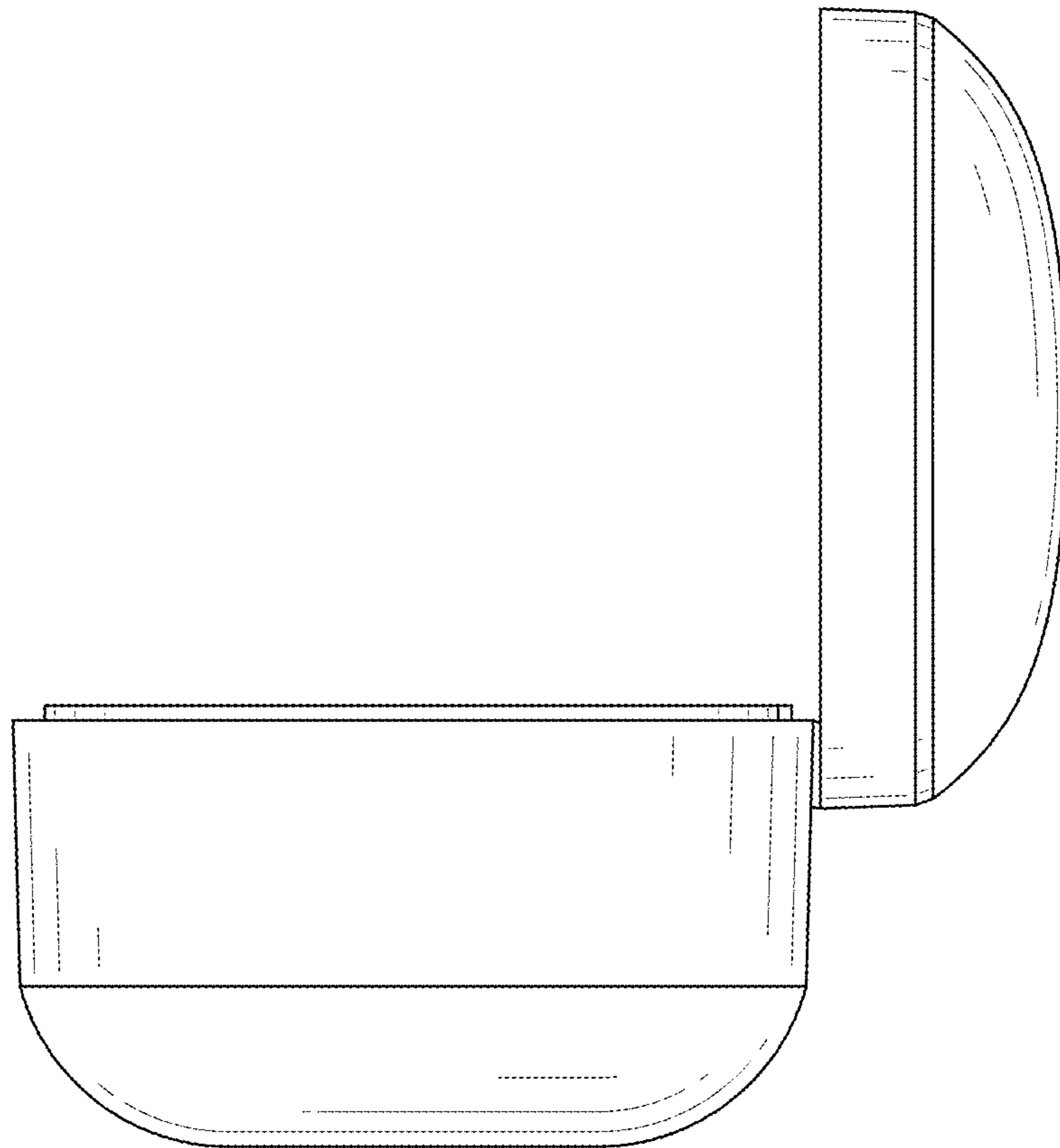


FIG. 6

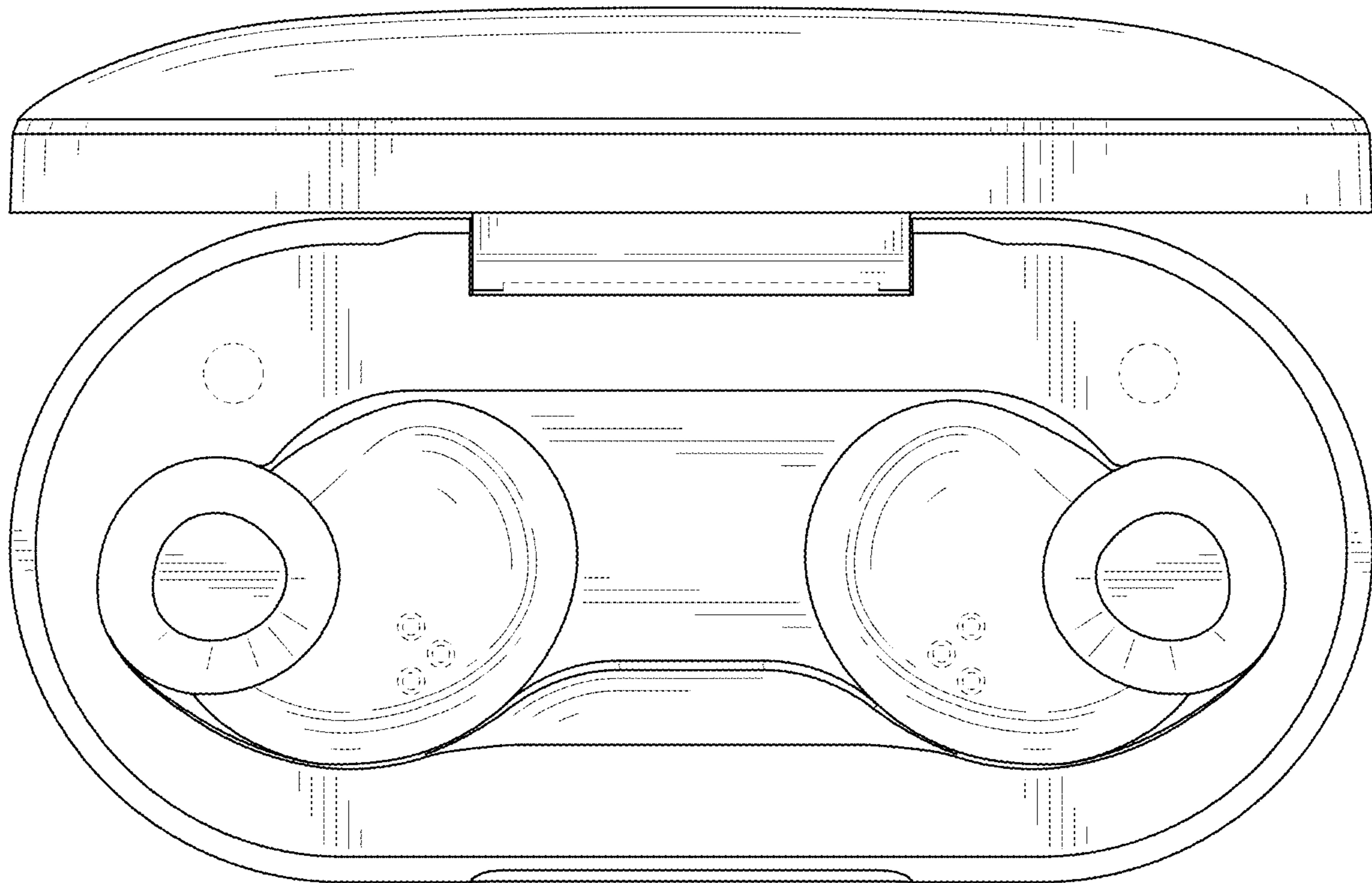


FIG. 7



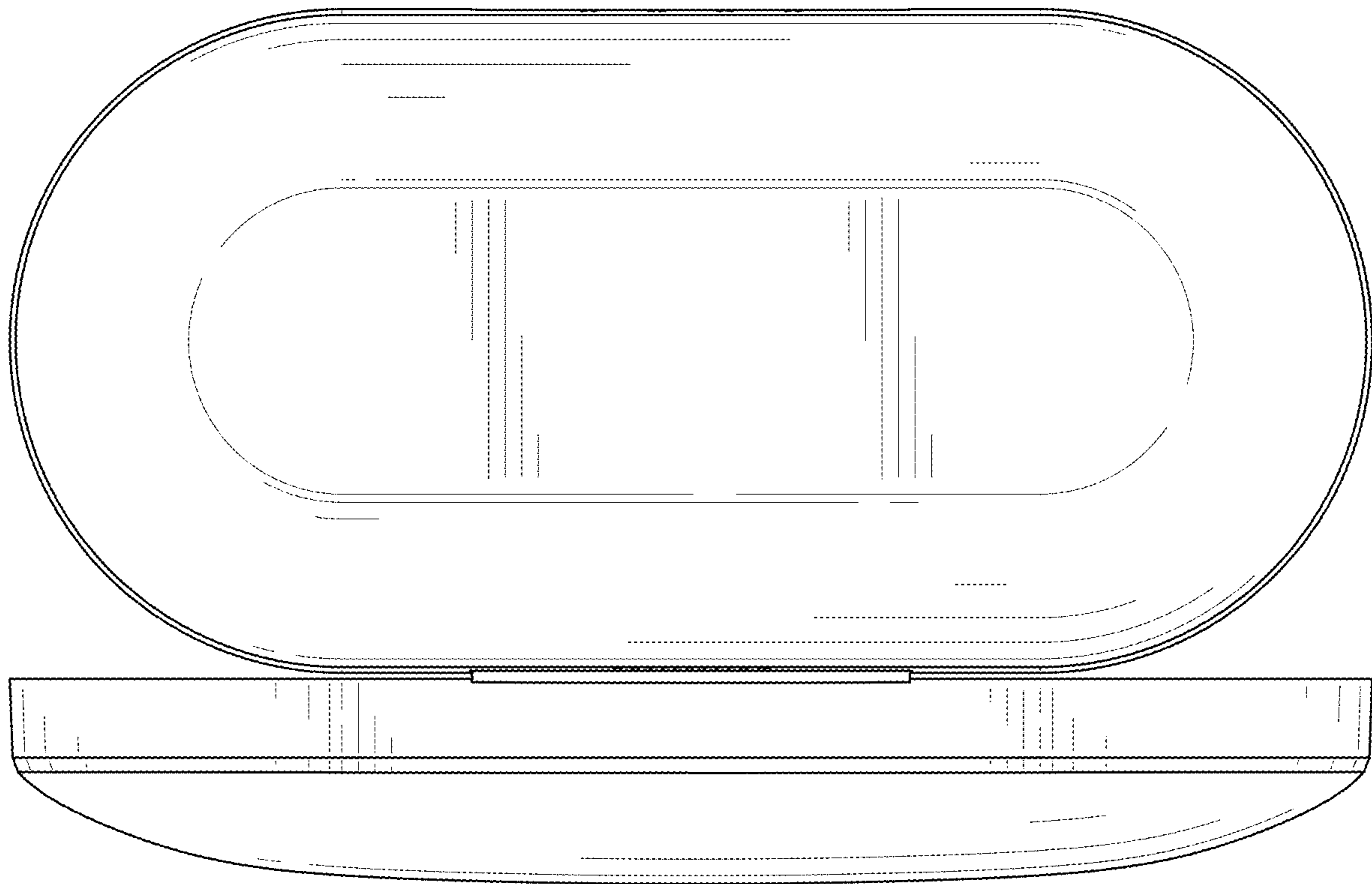


FIG. 8

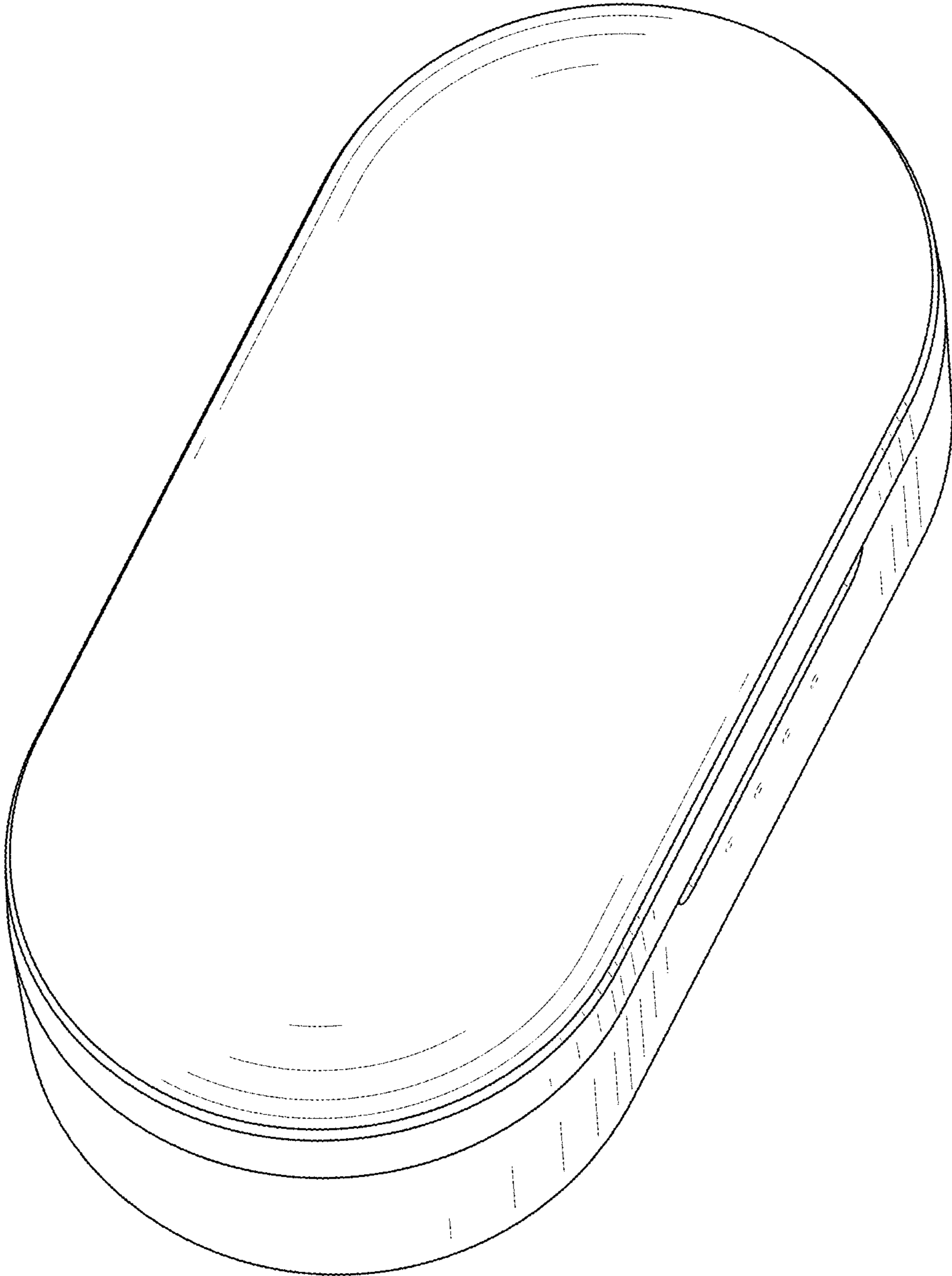


FIG. 9