



US00D878047S

(12) **United States Design Patent**
Shafir

(10) **Patent No.:** **US D878,047 S**
(45) **Date of Patent:** **** Mar. 17, 2020**

(54) **CONTAINER WITH LID**

DESCRIPTION

- (71) Applicant: **CURVER Luxembourg Sarl,**
Neidercom (LU)
- (72) Inventor: **Eran Shafir,** Tel Aviv (IL)
- (73) Assignee: **CURVER LUXEMBOURG SARL,**
Neidercorn (LU)
- (**) Term: **15 Years**
- (21) Appl. No.: **29/635,449**
- (22) Filed: **Jan. 31, 2018**
- (51) **LOC (12) Cl.** **03-01**
- (52) **U.S. Cl.**
USPC **D3/282; D3/294**
- (58) **Field of Classification Search**
USPC **D3/273, 274, 276, 279, 281, 282, 291,**
D3/294, 298, 905, 302, 272
(Continued)

FIG. 1 is a top perspective view of a first variant of a container with lid;
 FIG. 2 is a side view thereof; other side being a mirror image of FIG. 2;
 FIG. 3 is a front view thereof; rear side being a mirror image of FIG. 3;
 FIG. 4 is a top view thereof;
 FIG. 5 is a bottom view thereof;
 FIG. 6 is a bottom perspective view thereof;
 FIG. 7 is a top perspective view of a second variant of a container with lid;
 FIG. 8 is a side view thereof; other side being a mirror image of FIG. 8;
 FIG. 9 is a front view thereof; rear side being a mirror image of FIG. 9;
 FIG. 10 is a top view thereof;
 FIG. 11 is a bottom view thereof;
 FIG. 12 is a bottom perspective view thereof;
 FIG. 13 is a top perspective view of a third variant of a container with lid;
 FIG. 14 is a bottom perspective view thereof;
 FIG. 15 is a top view thereof;
 FIG. 16 is a side view thereof; other side being a mirror image of FIG. 16;
 FIG. 17 is a front view thereof; rear side being a mirror image of FIG. 17;
 FIG. 18 is a bottom view thereof;
 FIG. 19 is a top perspective view of a fourth variant of a container with lid;
 FIG. 20 is a bottom perspective view thereof;
 FIG. 21 is a top view thereof;
 FIG. 22 is a side view thereof; other side being a mirror image of FIG. 22;
 FIG. 23 is a front view thereof; rear side being a mirror image of FIG. 23; and,
 FIG. 24 is a bottom view thereof.
 The features shown in broken lines form no part of the claimed design.

(56) **References Cited**

U.S. PATENT DOCUMENTS

- D378,552 S * 3/1997 Lippisch D3/273
 - D406,463 S * 3/1999 Rutledge D3/302
- (Continued)

OTHER PUBLICATIONS

Walmart, "Your Zone Hinge Lid Bin", First reviewed Aug. 8, 2019. (<https://www.walmart.com/ip/Your-Zone-Hinge-Lid-Bin/902298848>) (Year: 2019).*

(Continued)

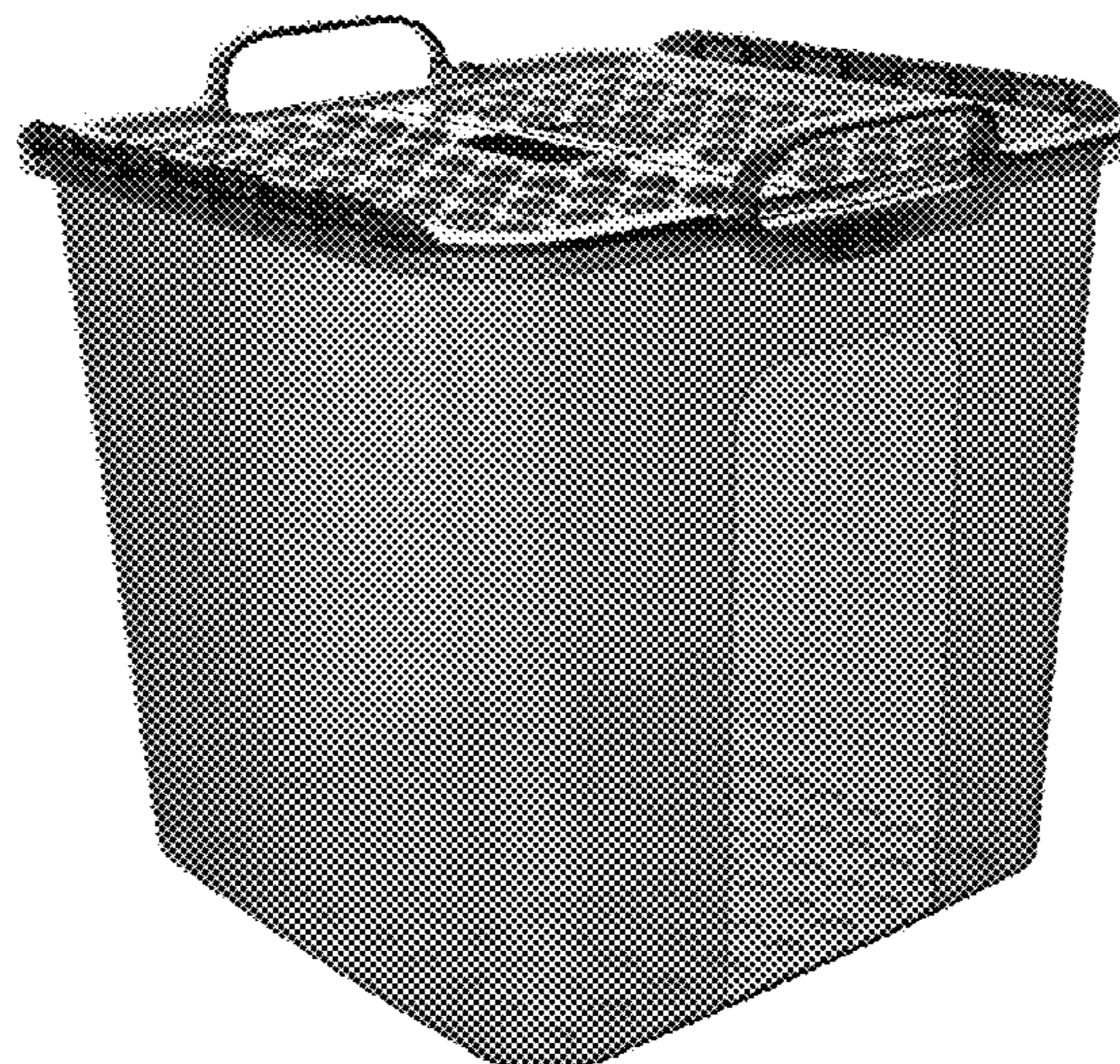
Primary Examiner — April Rivas

(74) *Attorney, Agent, or Firm* — Vorys, Sater, Seymour & Pease LLP

(57) **CLAIM**

The ornamental design for a container with lid, as shown and described.

1 Claim, 24 Drawing Sheets



(58) **Field of Classification Search**

CPC B65D 21/0233; B65D 21/0222; B25H
3/003; B25H 3/006; B25H 3/02; H02G
3/10; H02G 3/12

See application file for complete search history.

(56) **References Cited**

U.S. PATENT DOCUMENTS

D427,769 S * 7/2000 Zimmerman D3/273
6,095,333 A * 8/2000 Bertrand B65D 21/0233
206/505
D466,299 S * 12/2002 Zimmerman D3/273
D519,734 S * 5/2006 Richardson D3/273
D531,802 S * 11/2006 Zimmerman D3/302
D572,903 S * 7/2008 McNamara D3/282
D643,717 S * 8/2011 Reinhart D9/435
D826,557 S * 8/2018 Han D3/282
D853,118 S * 7/2019 Gasbarro D3/302
2006/0254946 A1 * 11/2006 Becklin B65D 21/0222
206/508
2018/0060623 A1 * 3/2018 Devine, Jr. B65D 25/30

OTHER PUBLICATIONS

Home Depot, "12 Gal. Flip Top Storage Tote with Black Lid",
Oldest review Apr. 11, 2018. (<https://www.homedepot.com/p/HDX-12-Gal-Flip-Top-Storage-Tote-with-Black-Lid-234711/302834924>)
(Year: 2018).*

* cited by examiner



FIG. 1



FIG. 2



FIG. 3

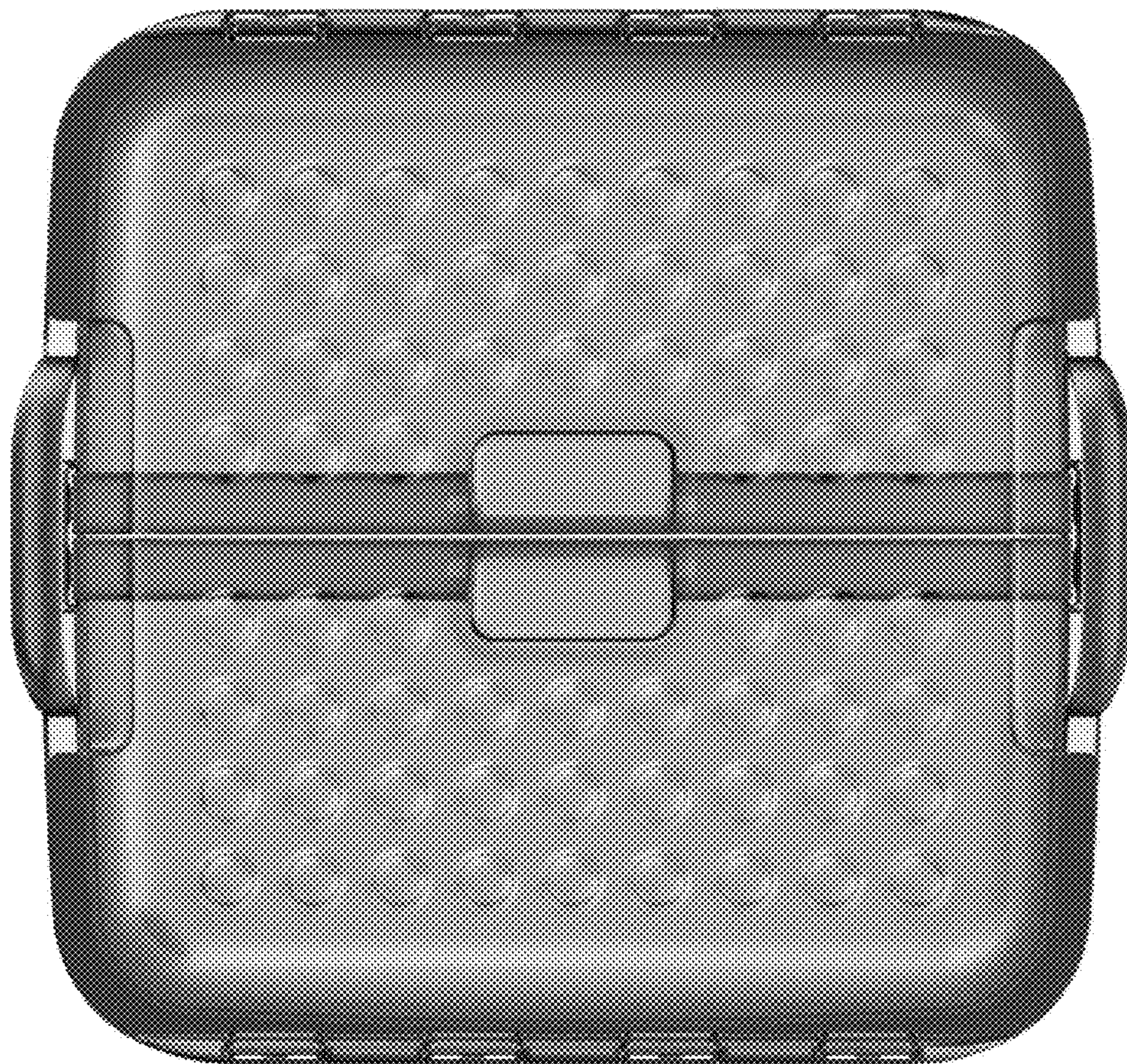


FIG. 4



FIG. 5



FIG. 6



FIG. 7



FIG. 8

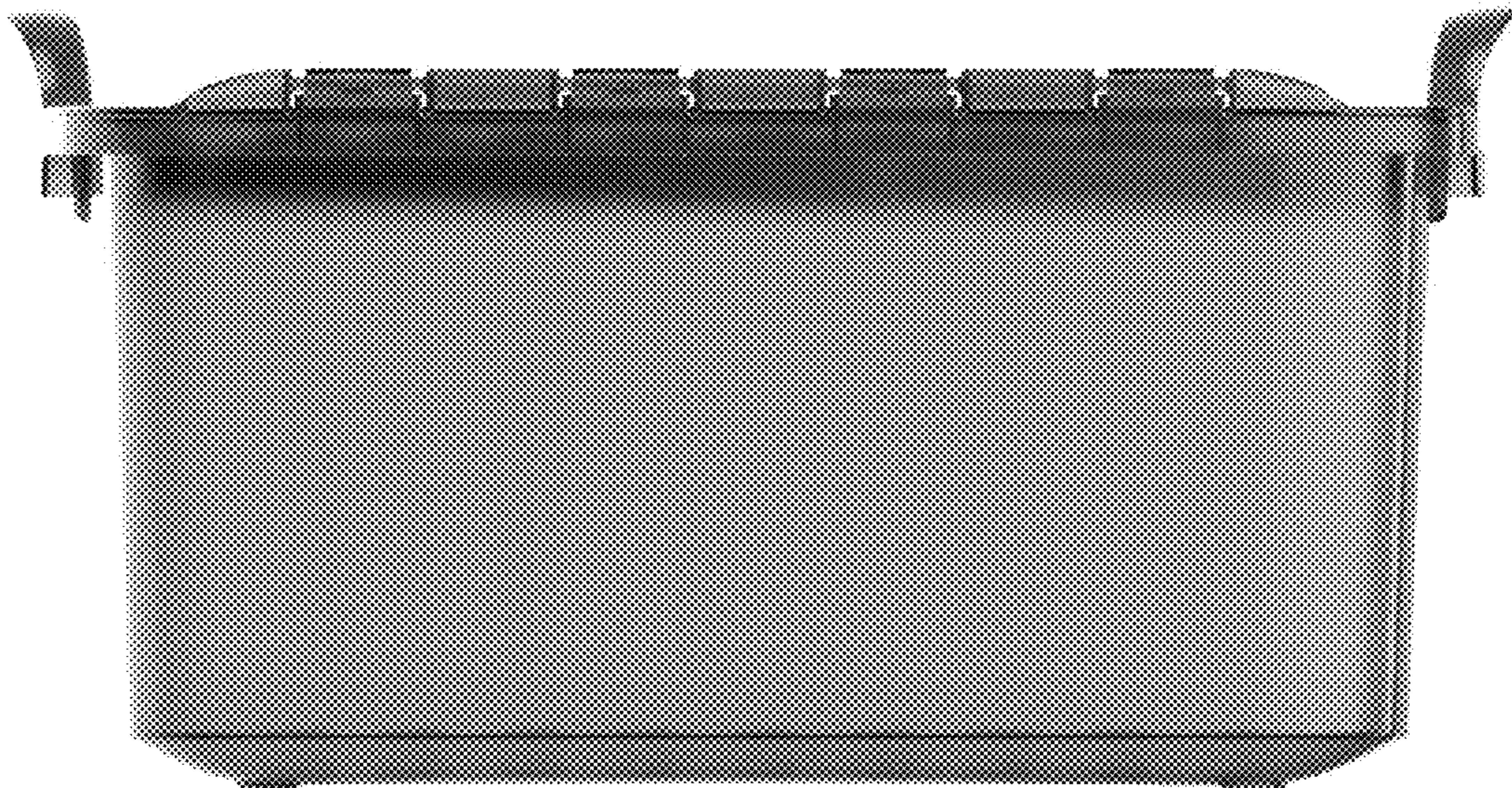


FIG. 9

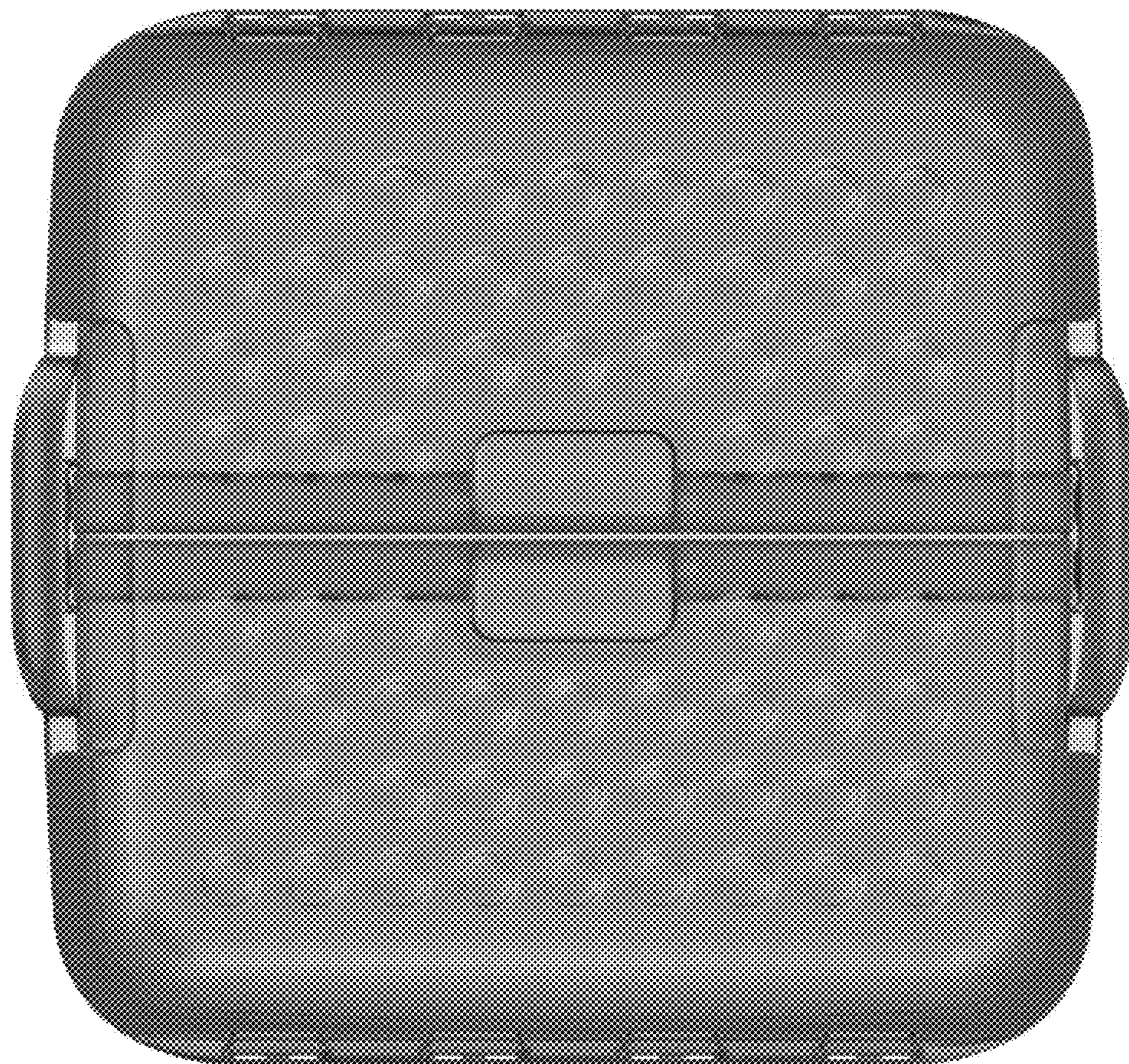


FIG. 10

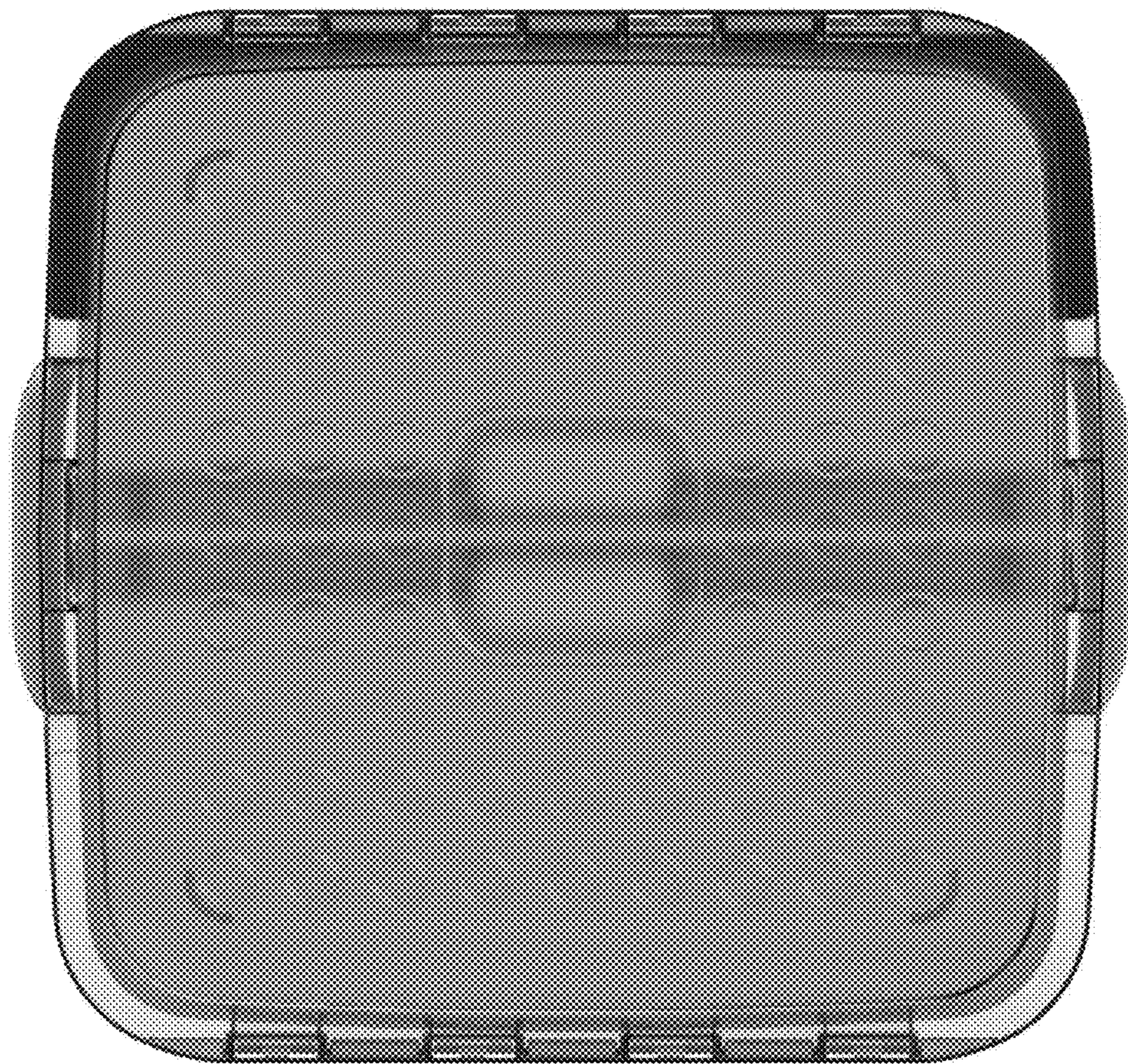


FIG. 11

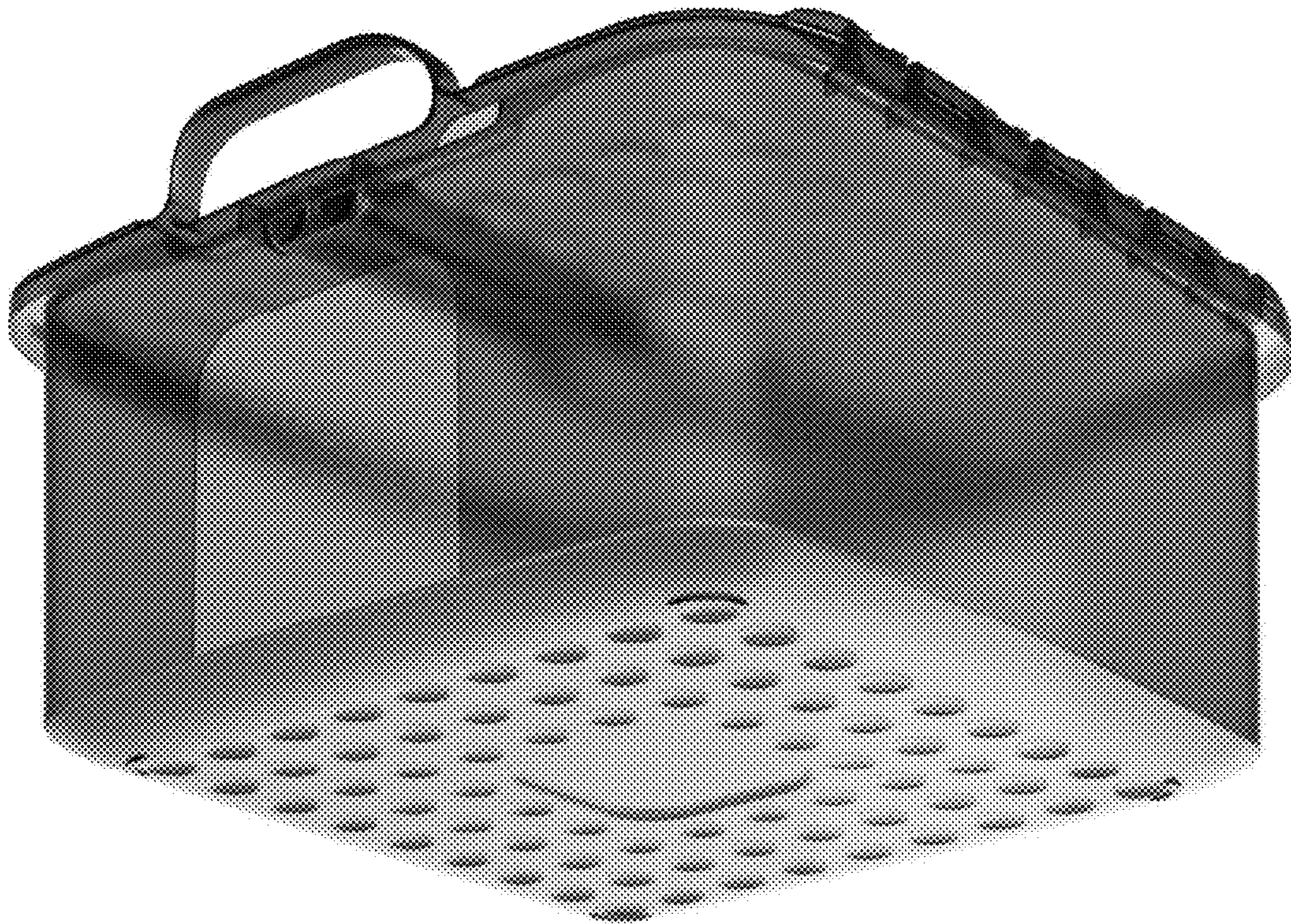


FIG. 12

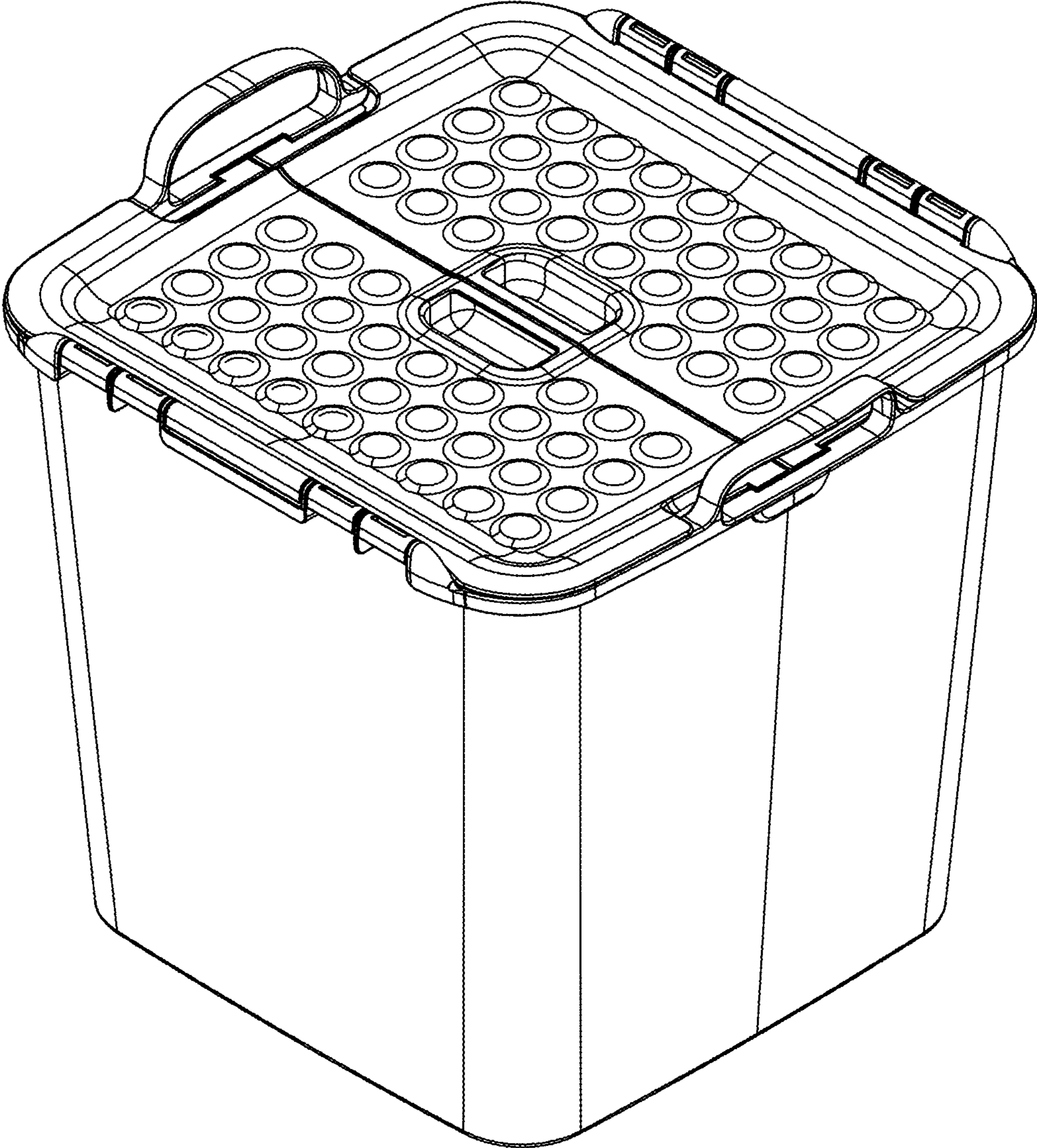


FIG. 13

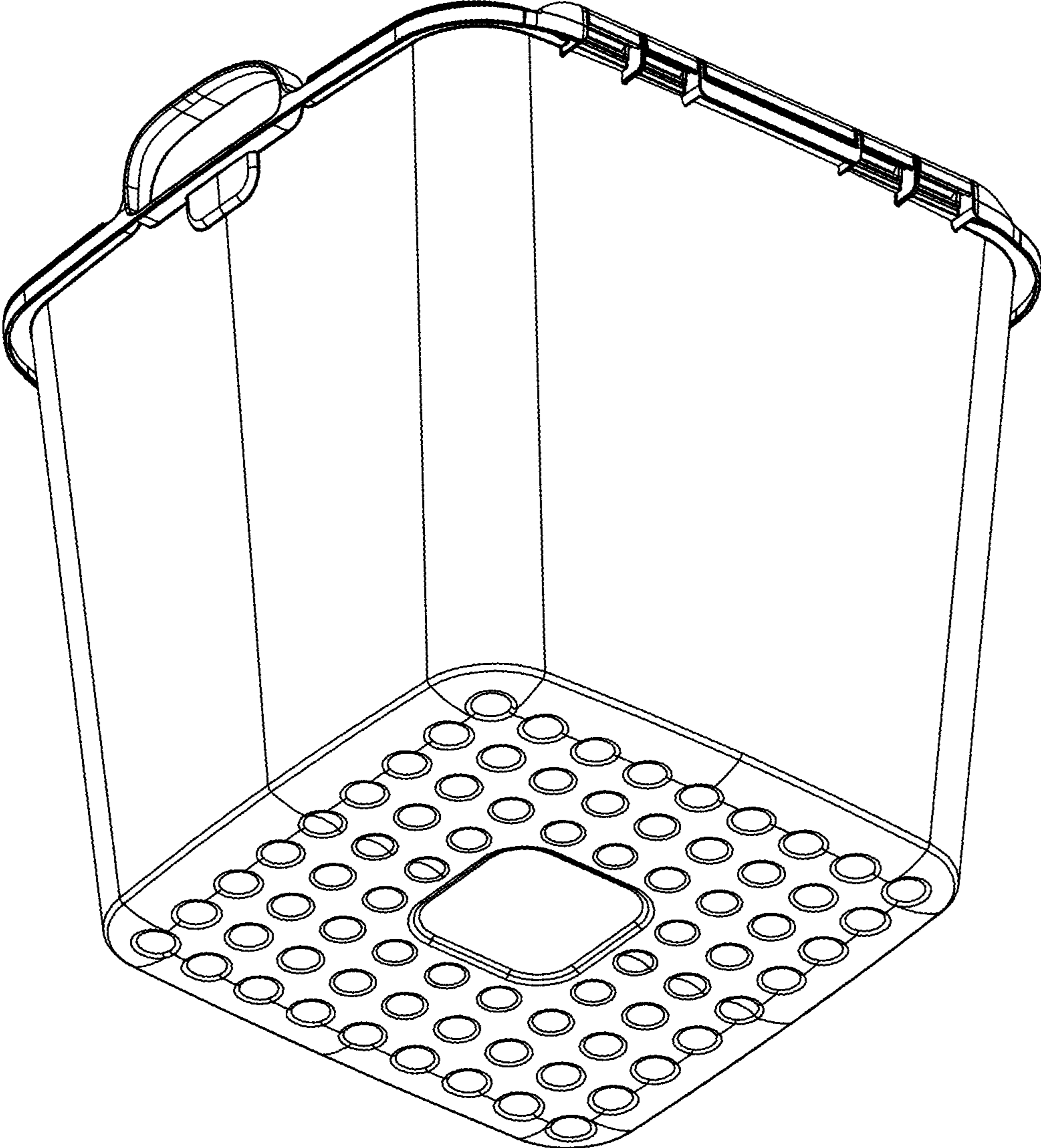


FIG. 14

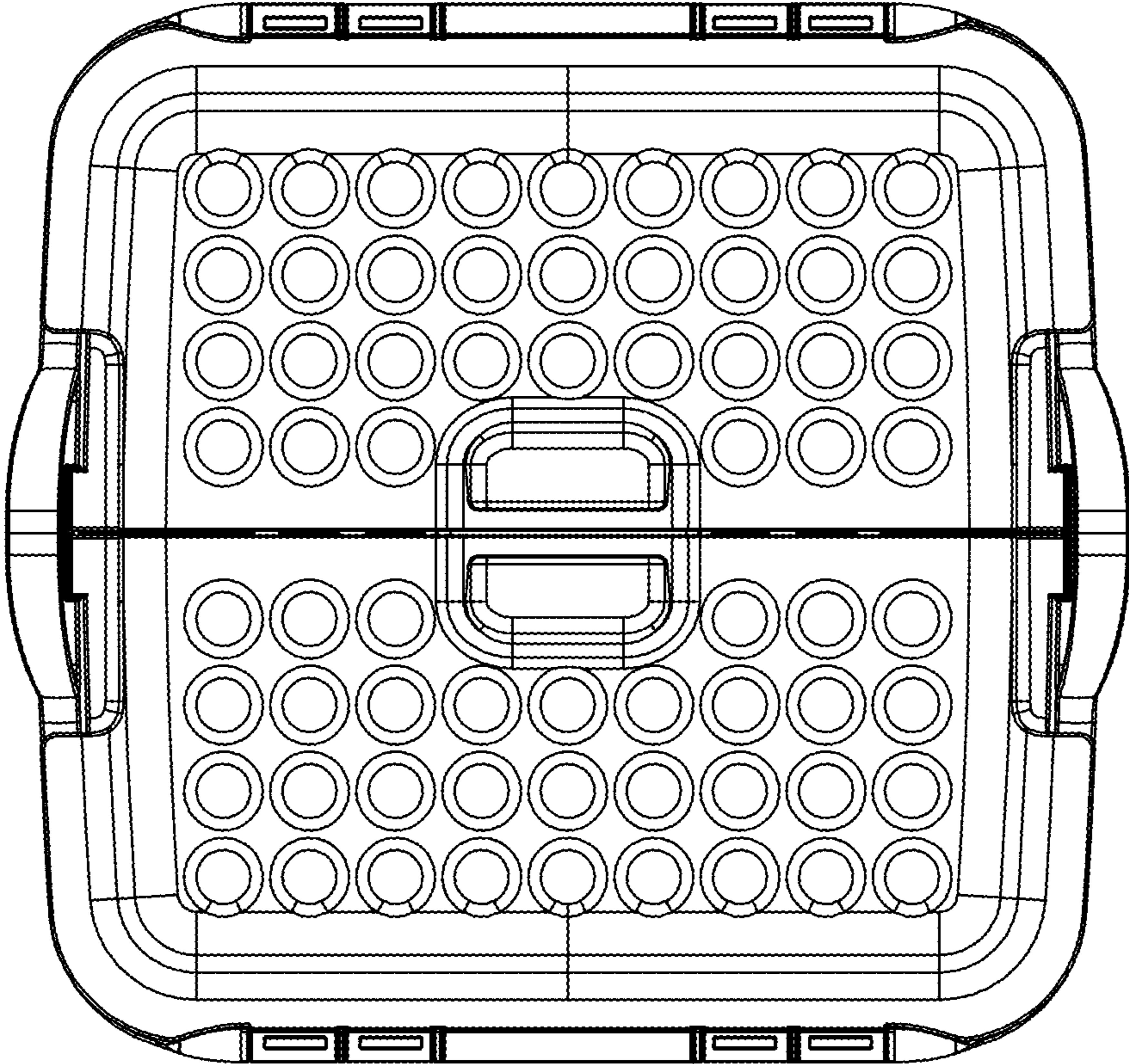


FIG. 15

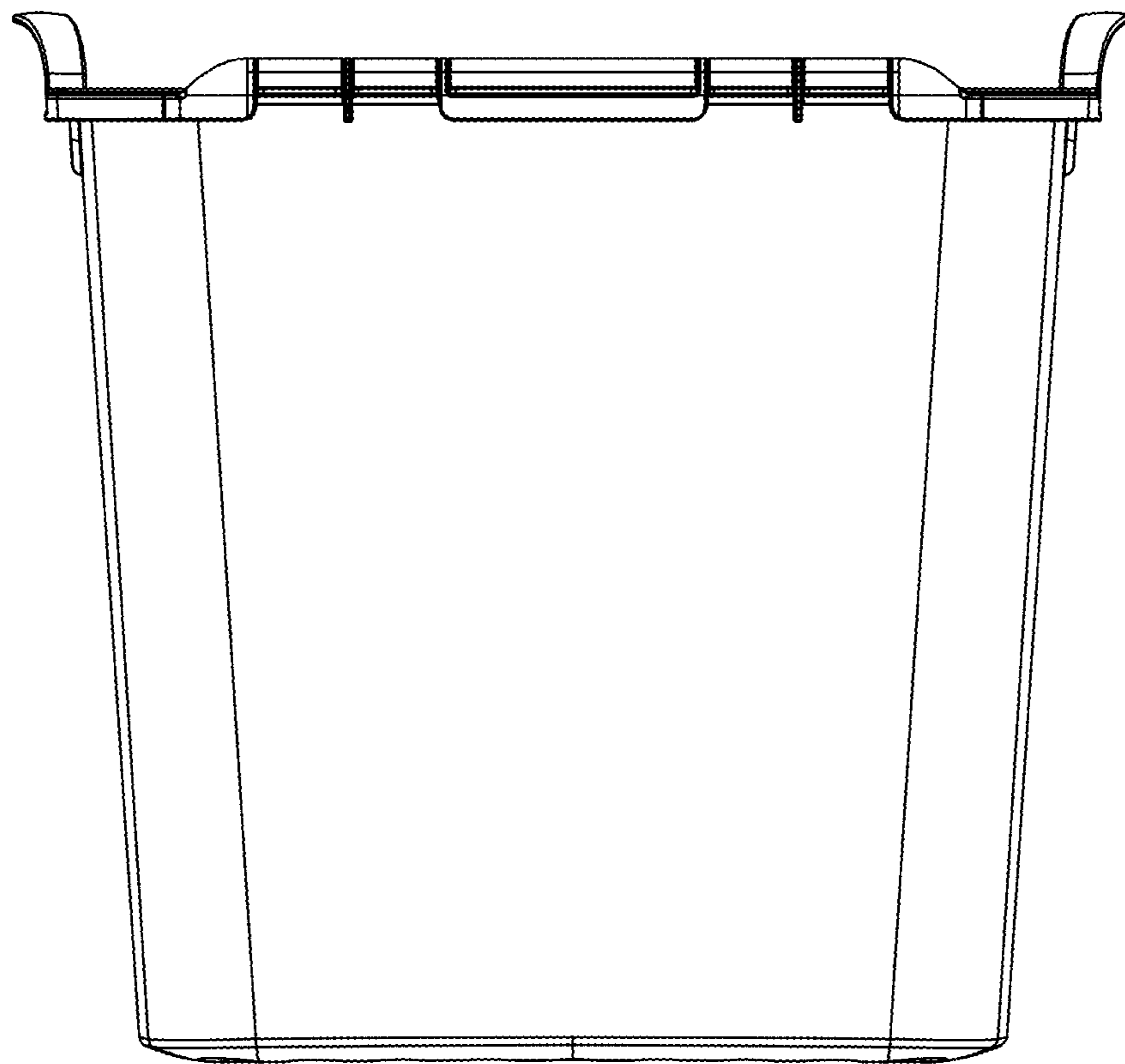


FIG. 16



FIG. 17

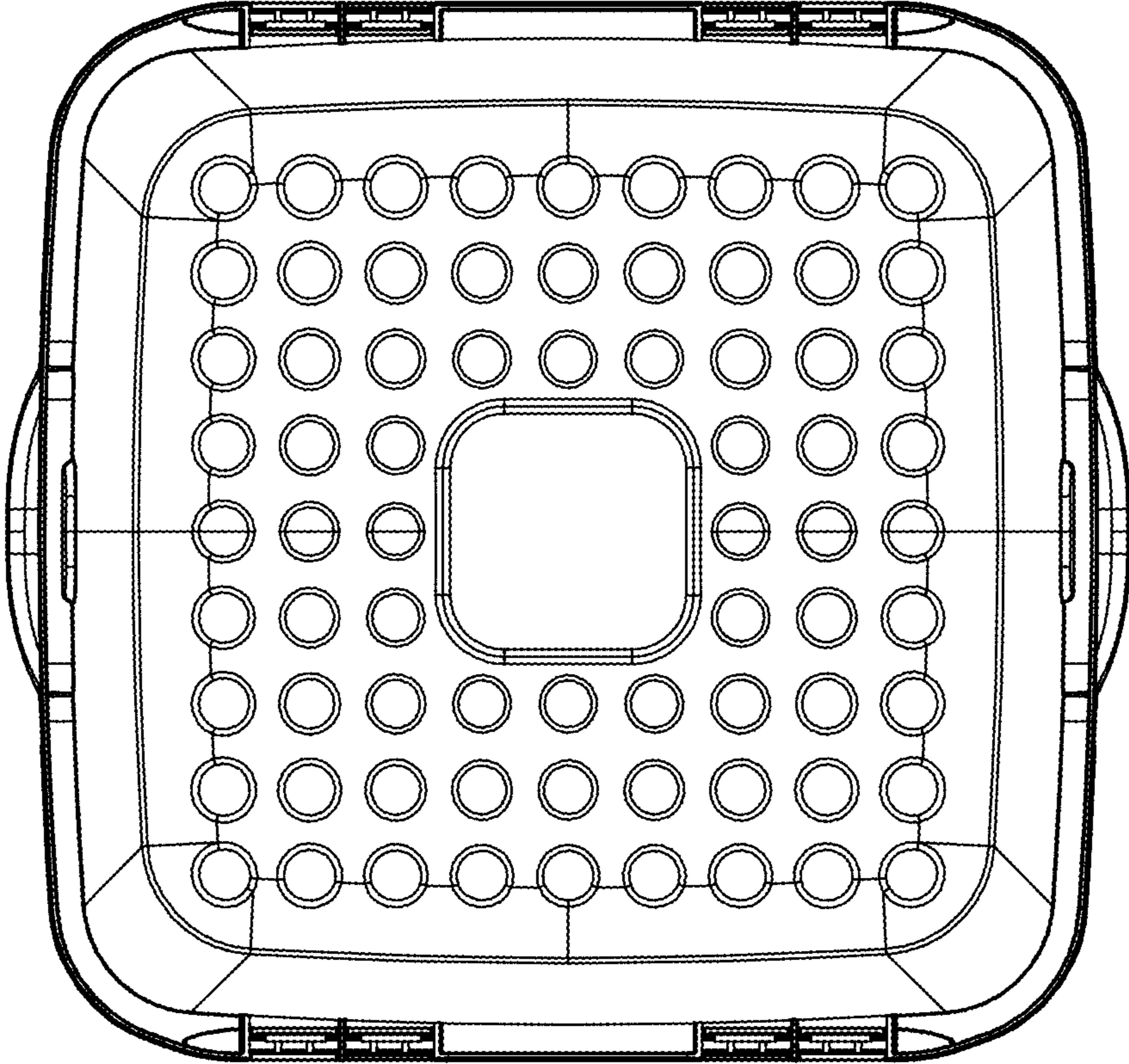


FIG. 18

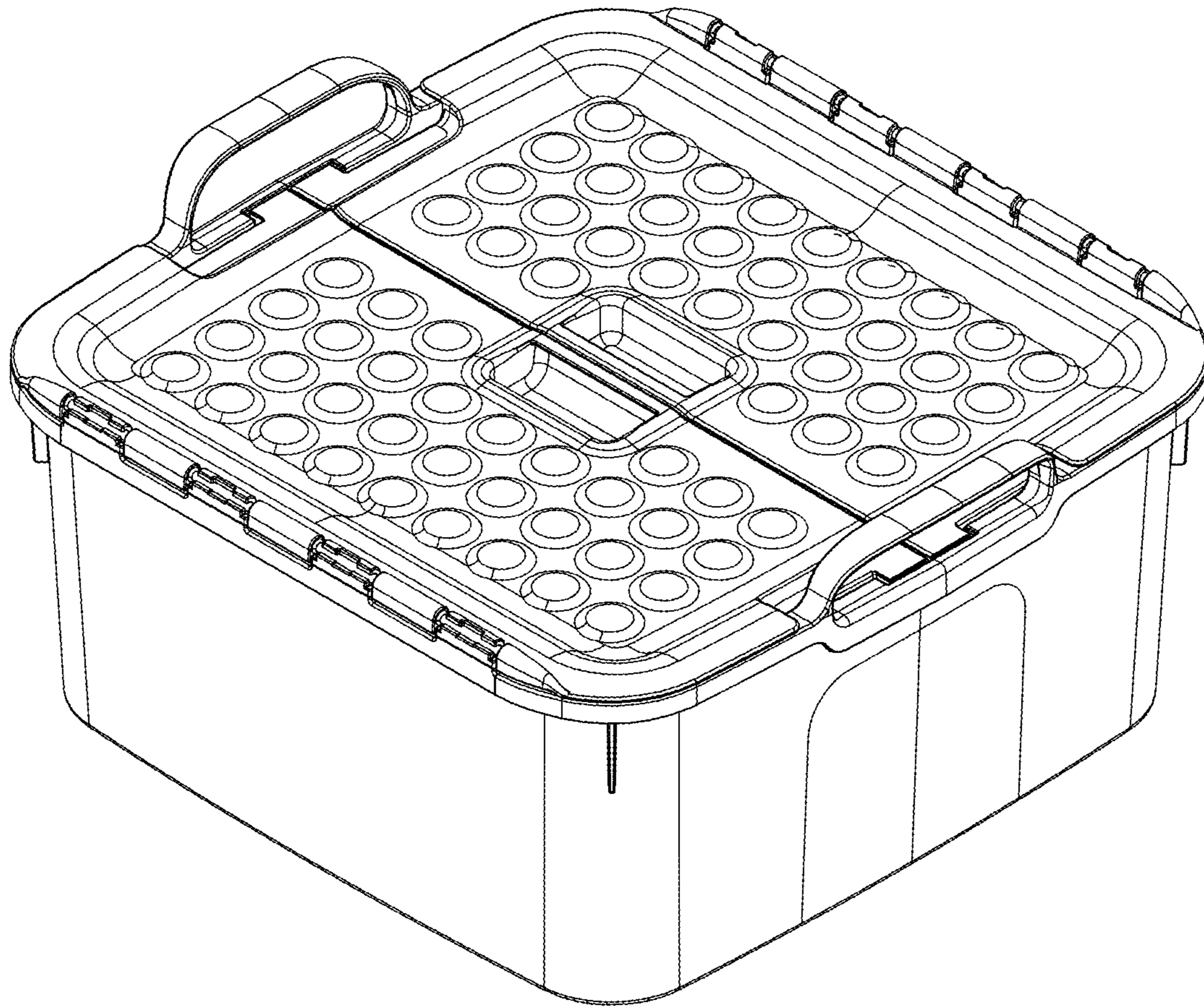


FIG. 19

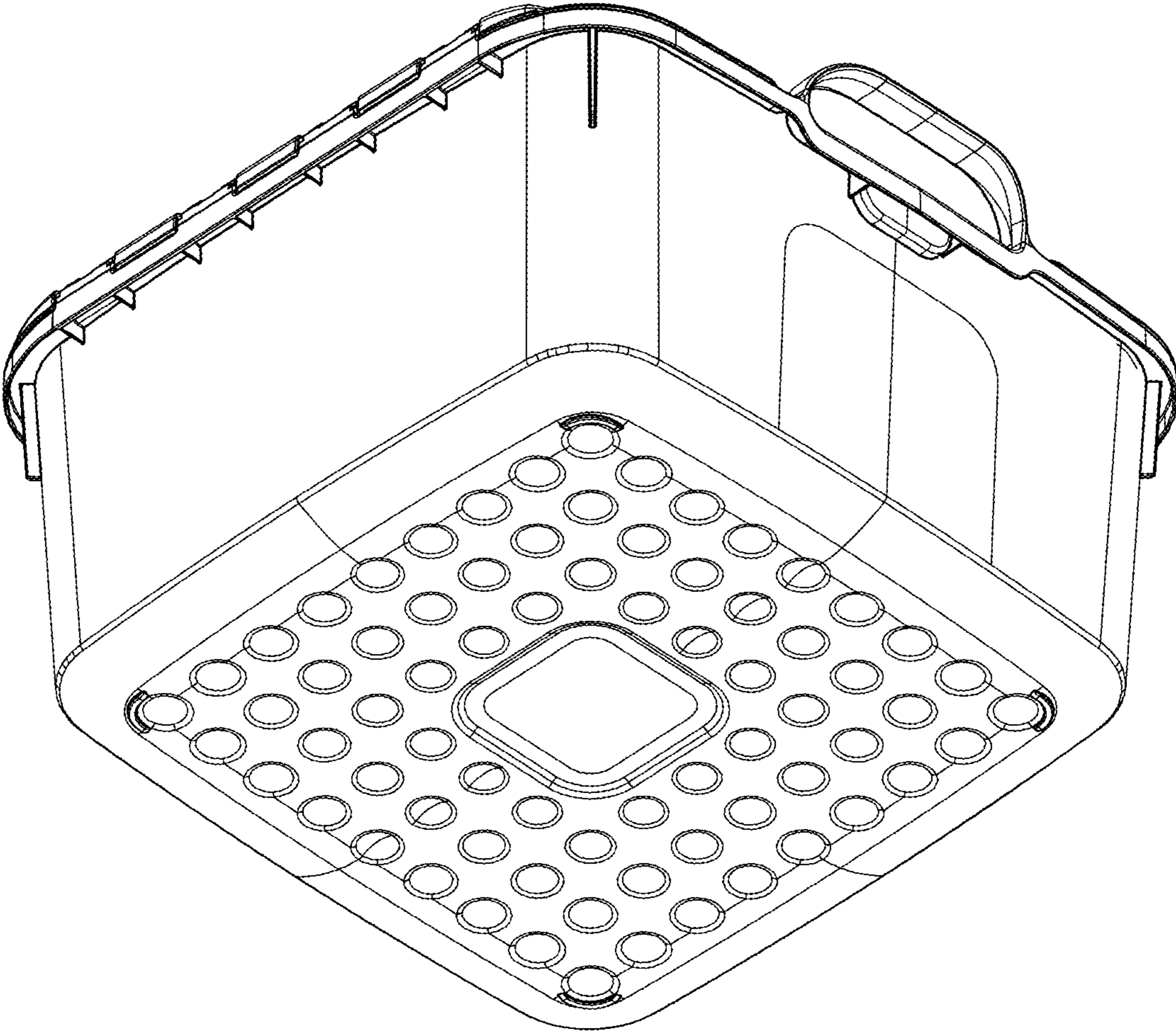


FIG. 20

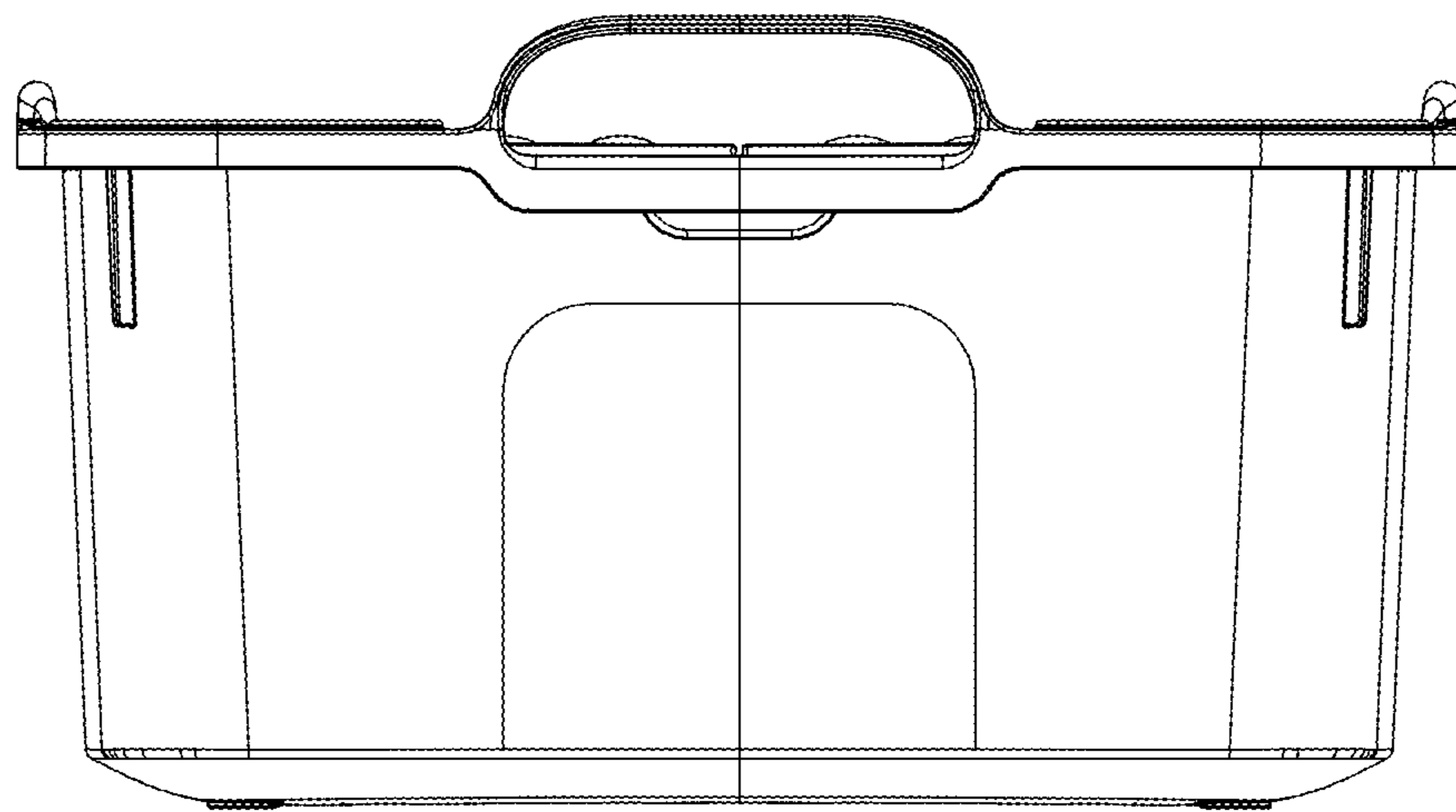


FIG. 21

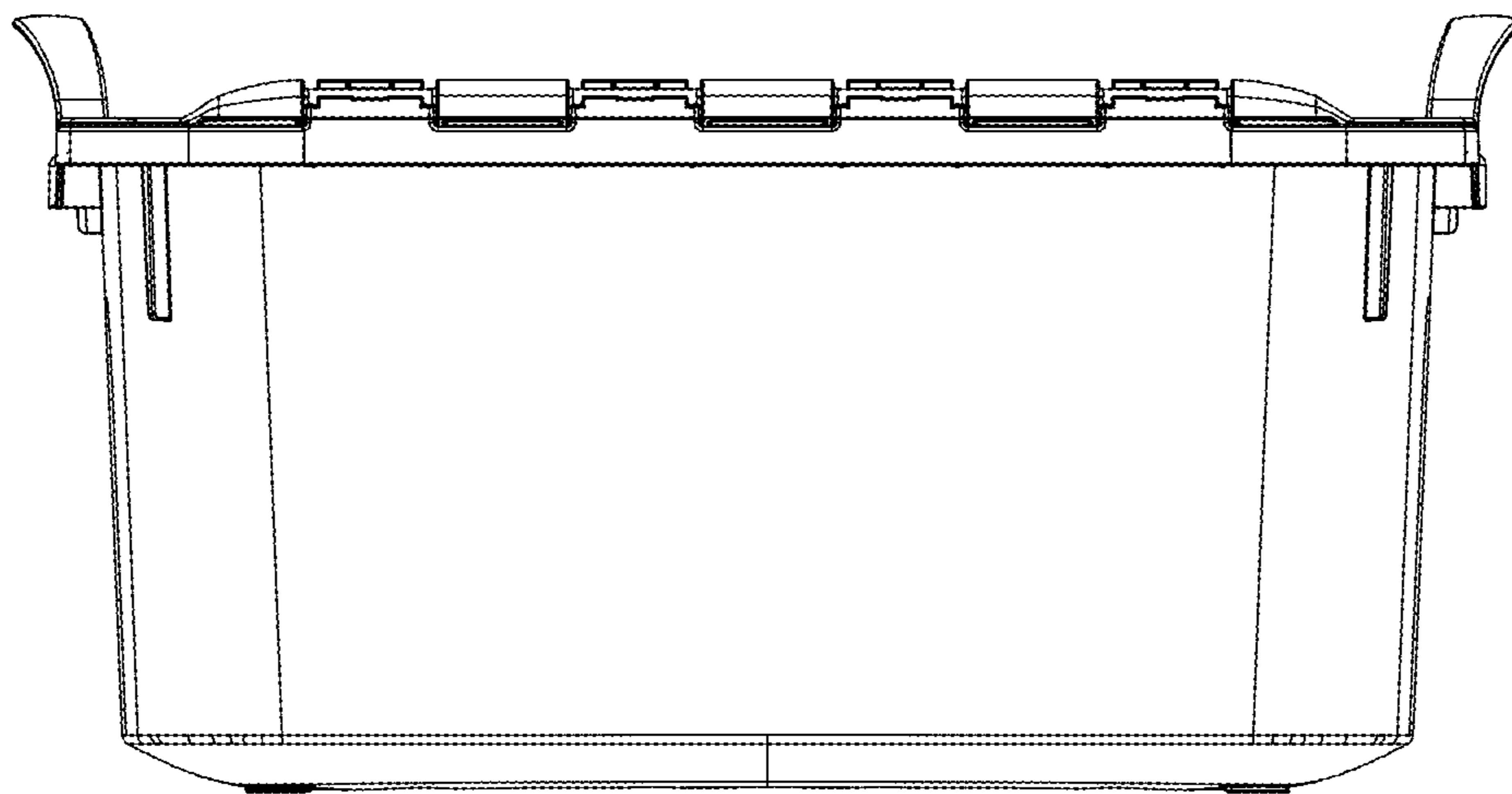


FIG. 22

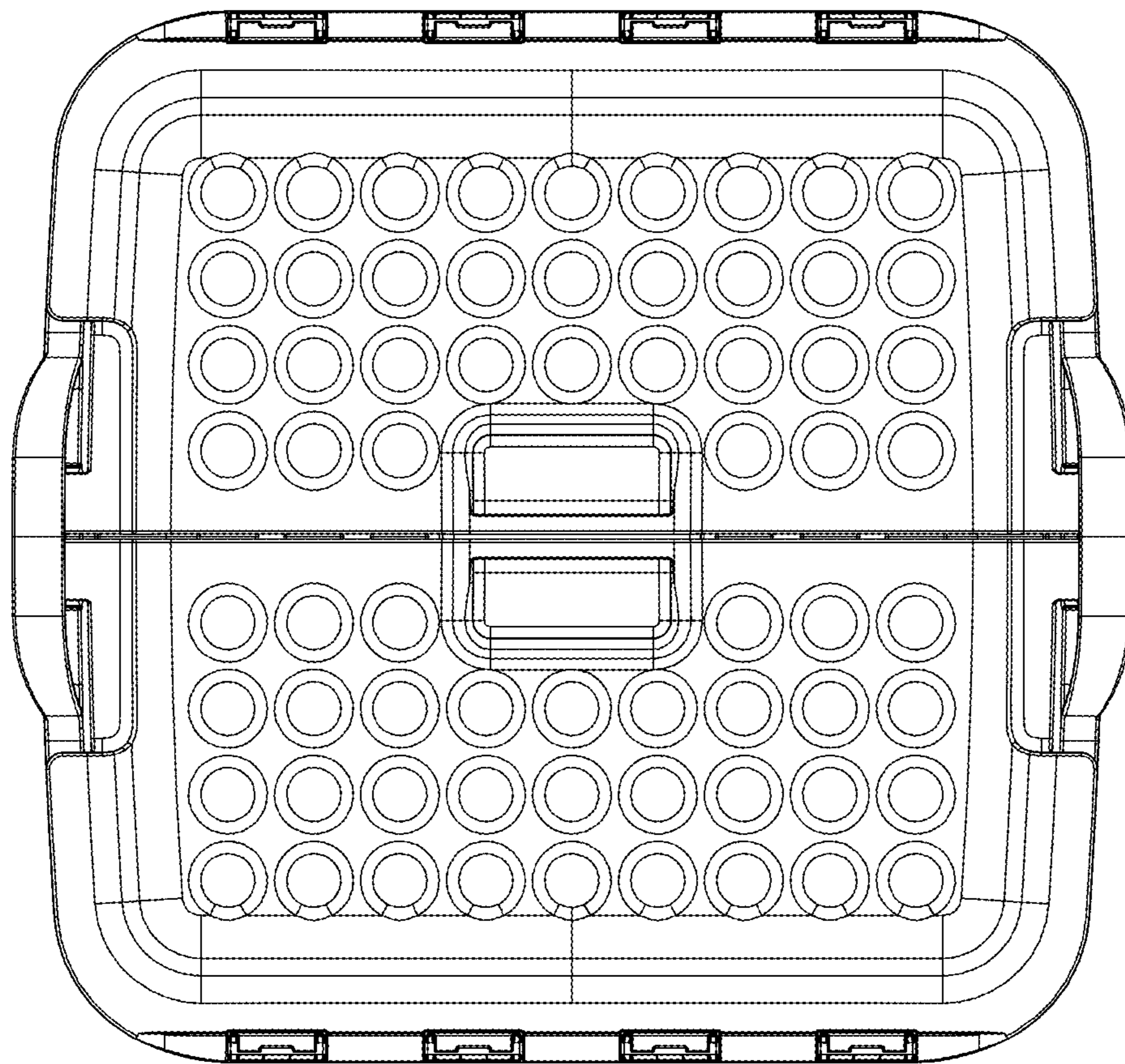


FIG. 23

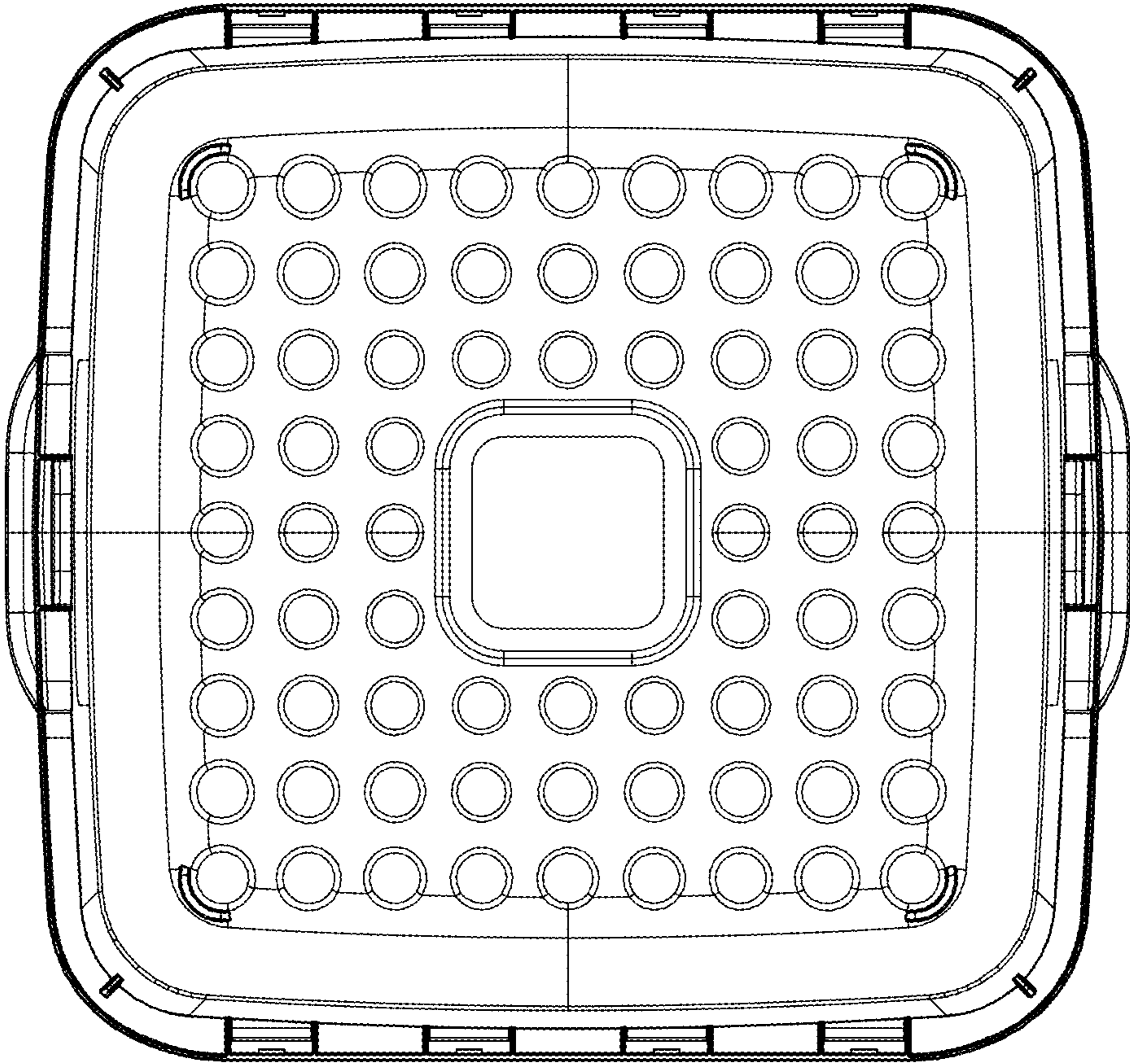


FIG. 24