



US00D878044S

(12) **United States Design Patent**
Peng

(10) **Patent No.:** **US D878,044 S**

(45) **Date of Patent:** **** Mar. 17, 2020**

(54) **TRAVEL PACKING BOTTLE**
(71) Applicant: **Shenzhen Kean Silicone Product Co., Ltd**, Shenzhen, Guangdong (CN)

D416,481 S * 11/1999 Densmore D9/608
D693,228 S * 11/2013 Kelley D9/608
D741,172 S * 10/2015 Almonte D7/516
D772,720 S * 11/2016 Chelvaratnam D9/608
D809,876 S * 2/2018 Delgado Carmona D7/628

(72) Inventor: **Eric Peng**, Guangdong (CN)
(73) Assignee: **SHENZHEN KEAN SILICONE PRODUCT CO., LTD**, Shenzhen (CN)

OTHER PUBLICATIONS

Travel Bottles! posted at Amazon.co.uk, posted on May 28, © 1996-2019 Amazon.com, [online], [site visited Oct. 18, 2019]. Available from Internet, <URL: https://www.amazon.co.uk/Bottles-Cosmetics-Nozdom-Silicone-Toiletries/dp/B07DCPR9XZ/> (Year: 2019).*

(**) Term: **15 Years**

* cited by examiner

(21) Appl. No.: **29/645,515**

Primary Examiner — Derrick E Holland

(22) Filed: **Apr. 26, 2018**

Assistant Examiner — Andrew Kerr

(30) **Foreign Application Priority Data**

(57) **CLAIM**

Nov. 7, 2017 (CN) 2017 3 0542746

The ornamental design for a travel packing bottle, as shown and described.

(51) **LOC (12) Cl.** **03-01**

DESCRIPTION

(52) **U.S. Cl.**

USPC **D3/271.3**; D9/502; D9/521; D7/628

(58) **Field of Classification Search**

USPC D7/628, 590, 594, 387, 397, 213;
D9/434, 435, 436, 439, 440, 441, 444,
D9/445, 447, 451, 521, 601, 608, 611,
D9/602, 614; D3/201, 202, 221, 270,
D3/271.1, 271.2; D11/157, 158, 160, 164
CPC B65D 41/04; B65D 43/02; B65D 81/36;
B65D 81/365; A47G 19/2227; A47G
19/2266

See application file for complete search history.

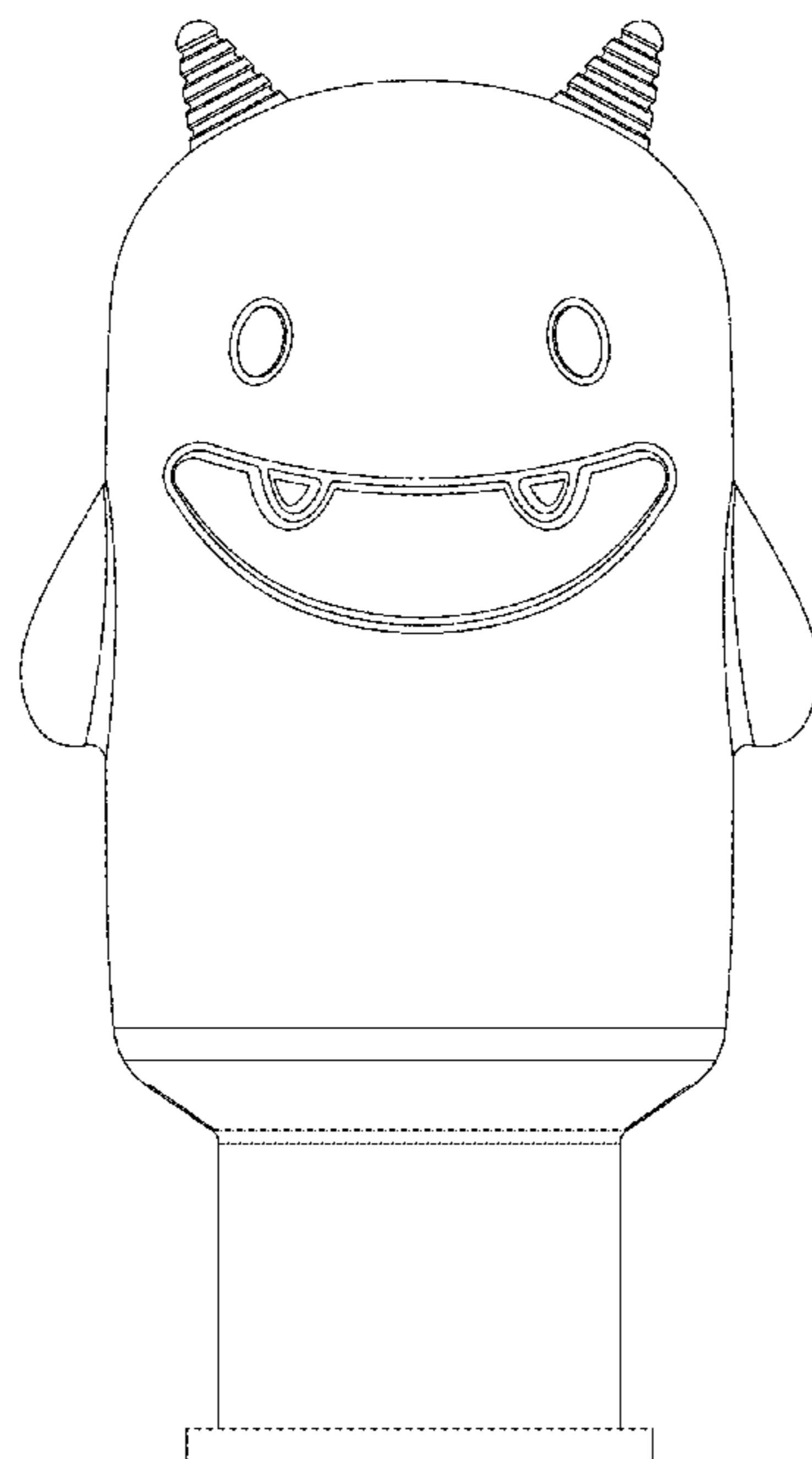
FIG. 1 is a front elevational view of a travel packing bottle showing my new design;
FIG. 2 is a rear elevational view thereof;
FIG. 3 is a left side elevational view thereof;
FIG. 4 is a right side elevational view thereof;
FIG. 5 is a top plan view thereof;
FIG. 6 is a bottom plan view thereof;
FIG. 7 is a bottom, front and left side perspective view thereof;
FIG. 8 is a top, rear and left side perspective view thereof;
and,
FIG. 9 is a top, front and right side perspective view thereof.
The broken lines in the drawings depict portions of the travel packing bottle that form no part of the claimed design.

(56) **References Cited**

U.S. PATENT DOCUMENTS

D371,201 S * 6/1996 Gipson D24/195
D401,141 S * 11/1998 Carroll D9/608

1 Claim, 9 Drawing Sheets



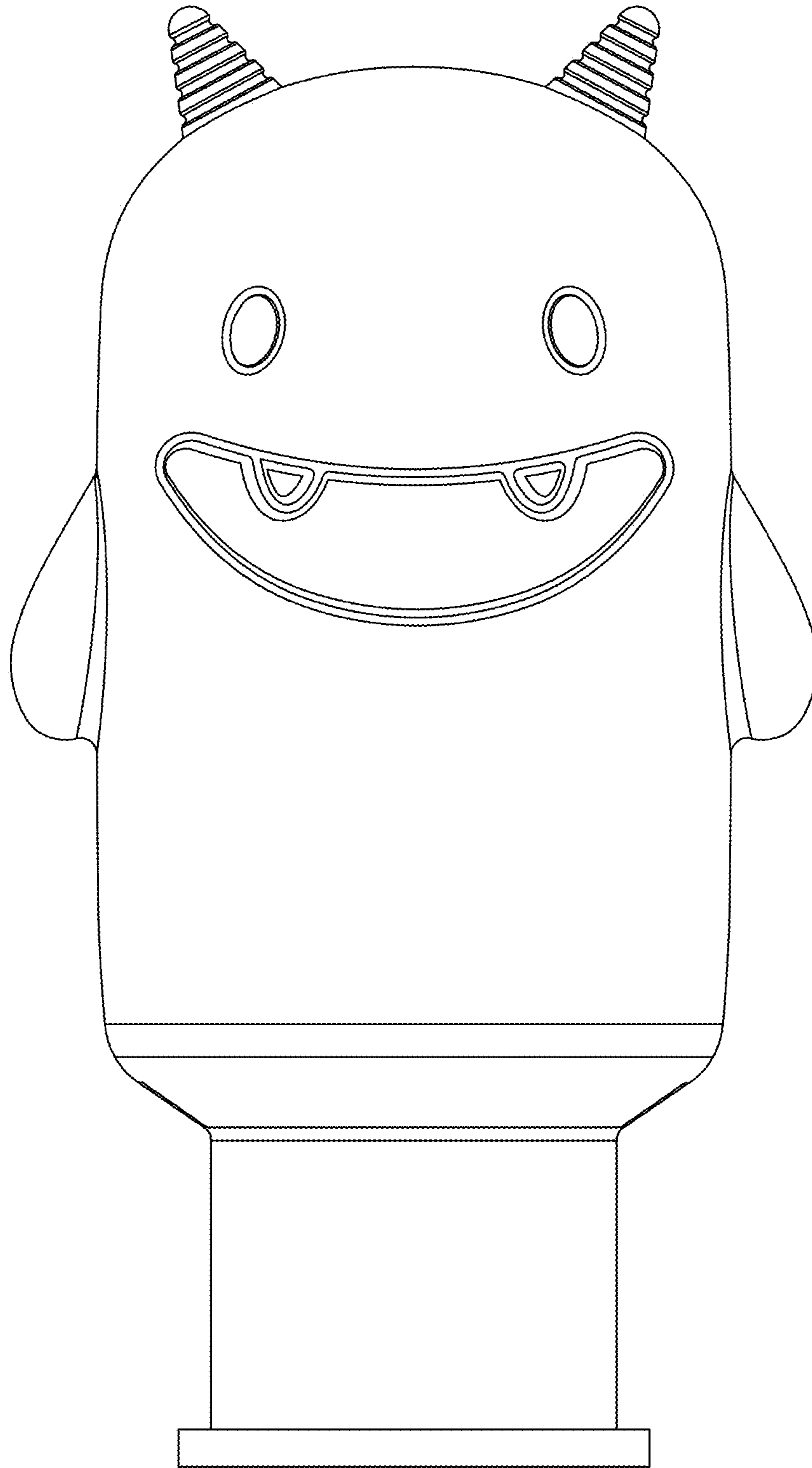


FIG. 1

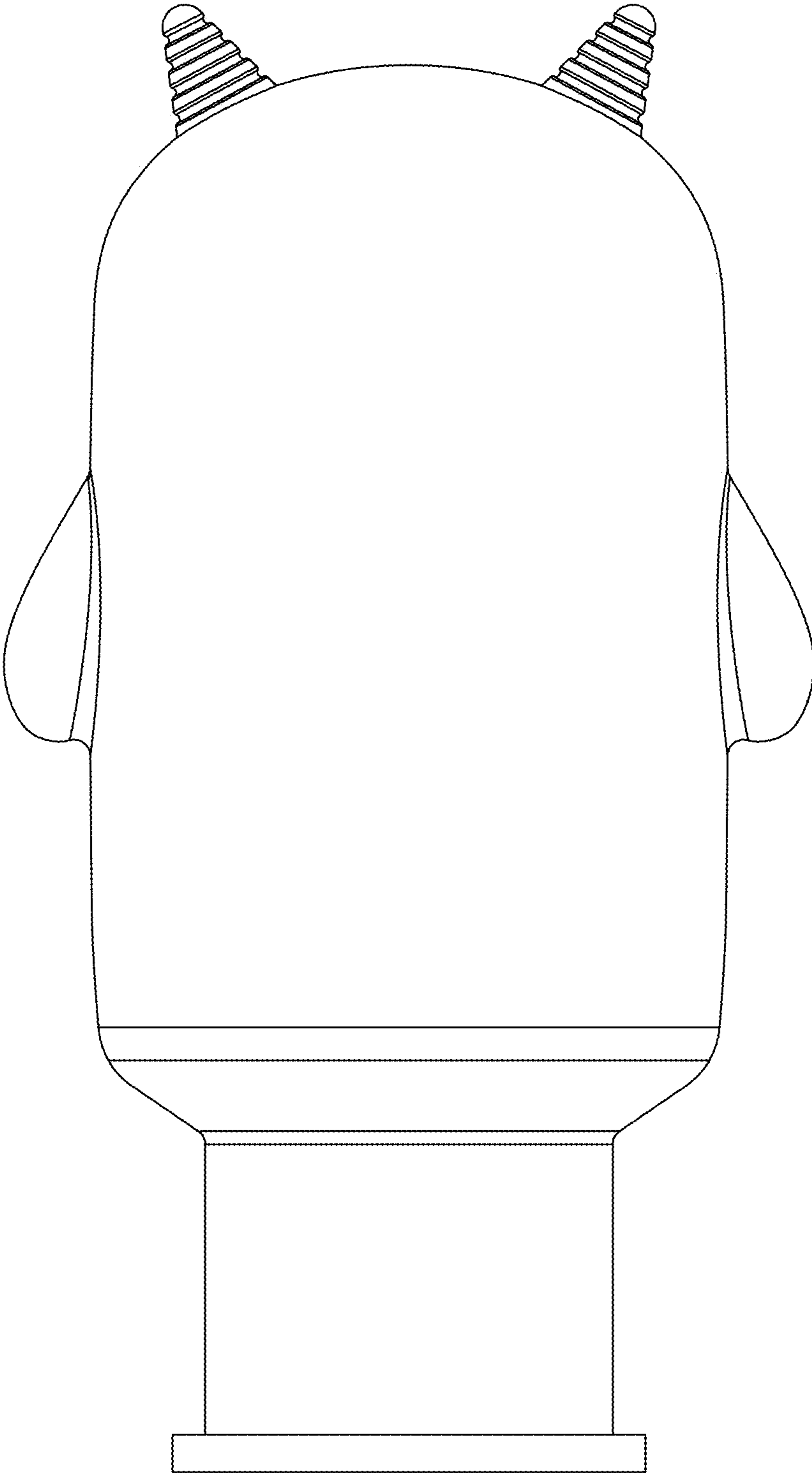


FIG. 2

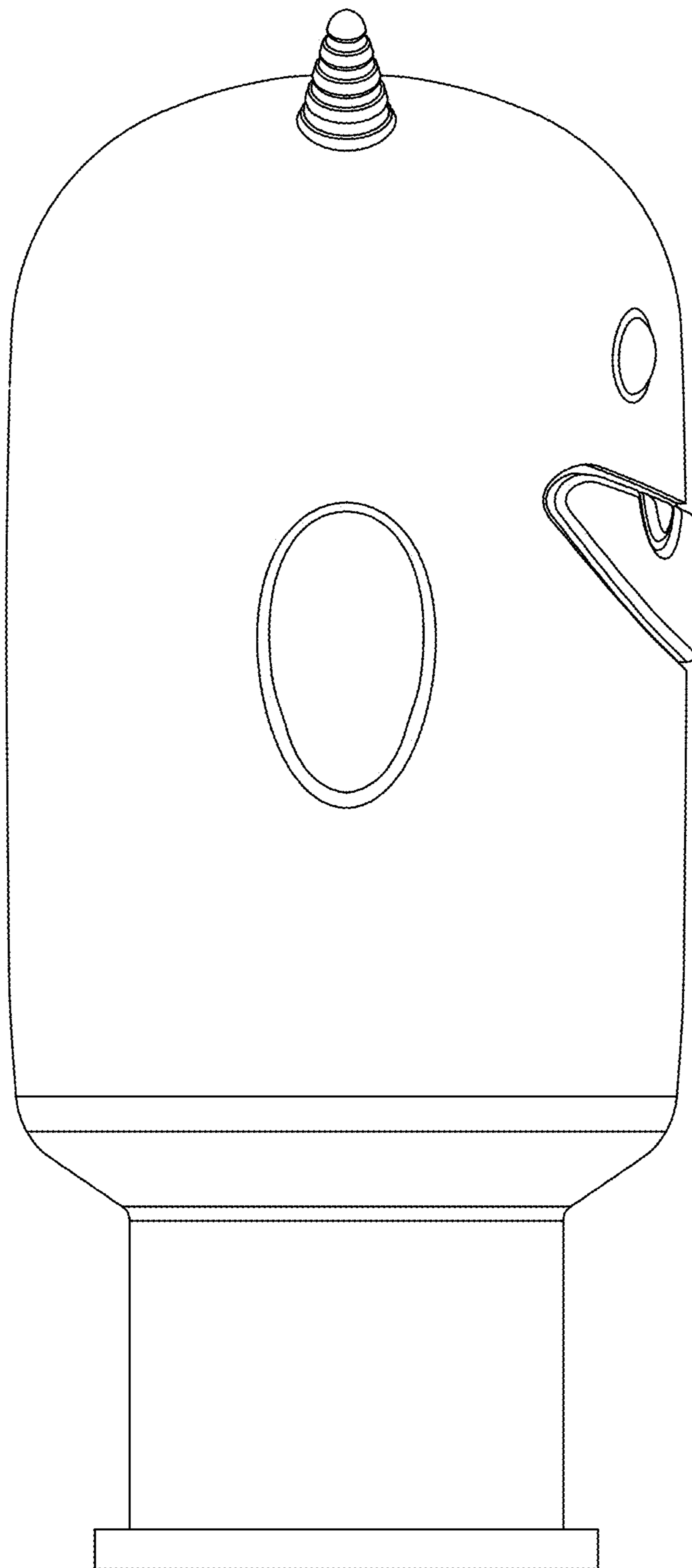


FIG. 3

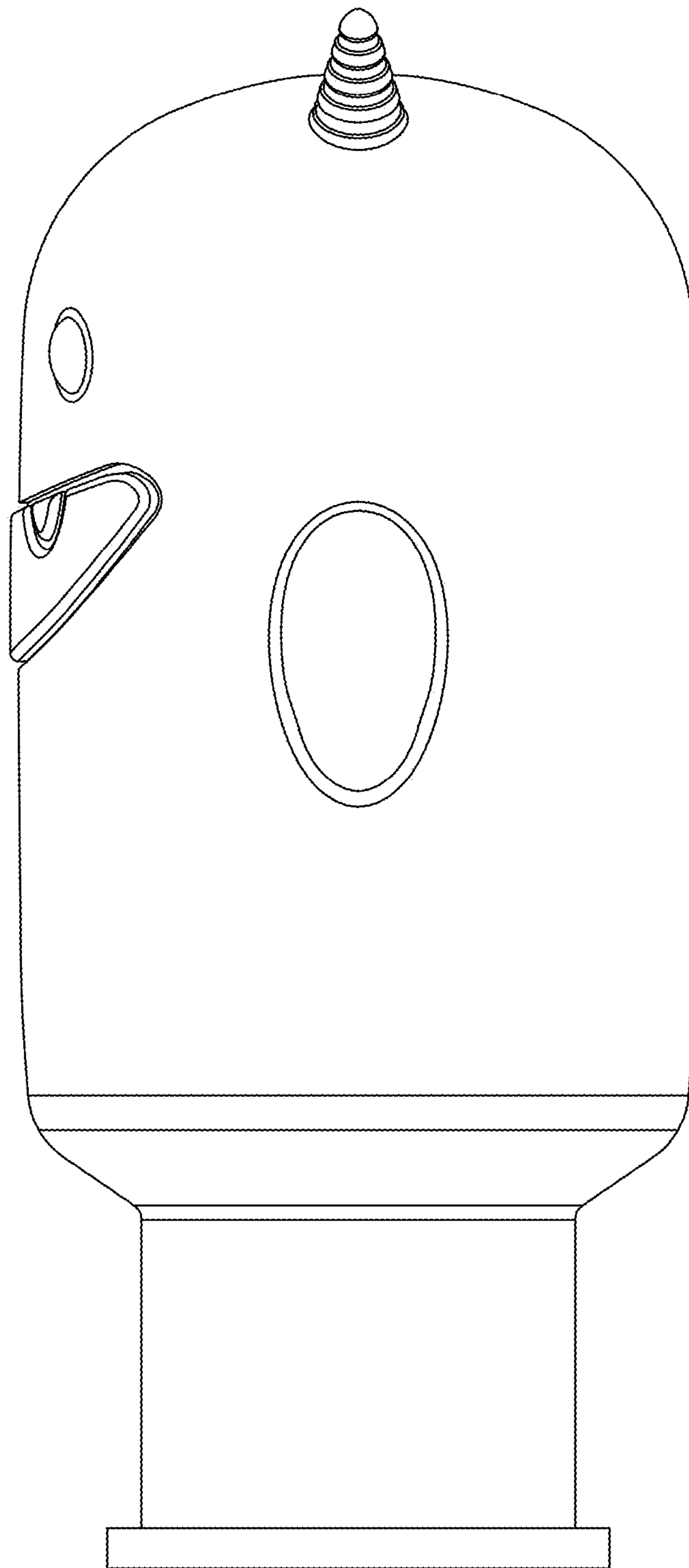


FIG. 4

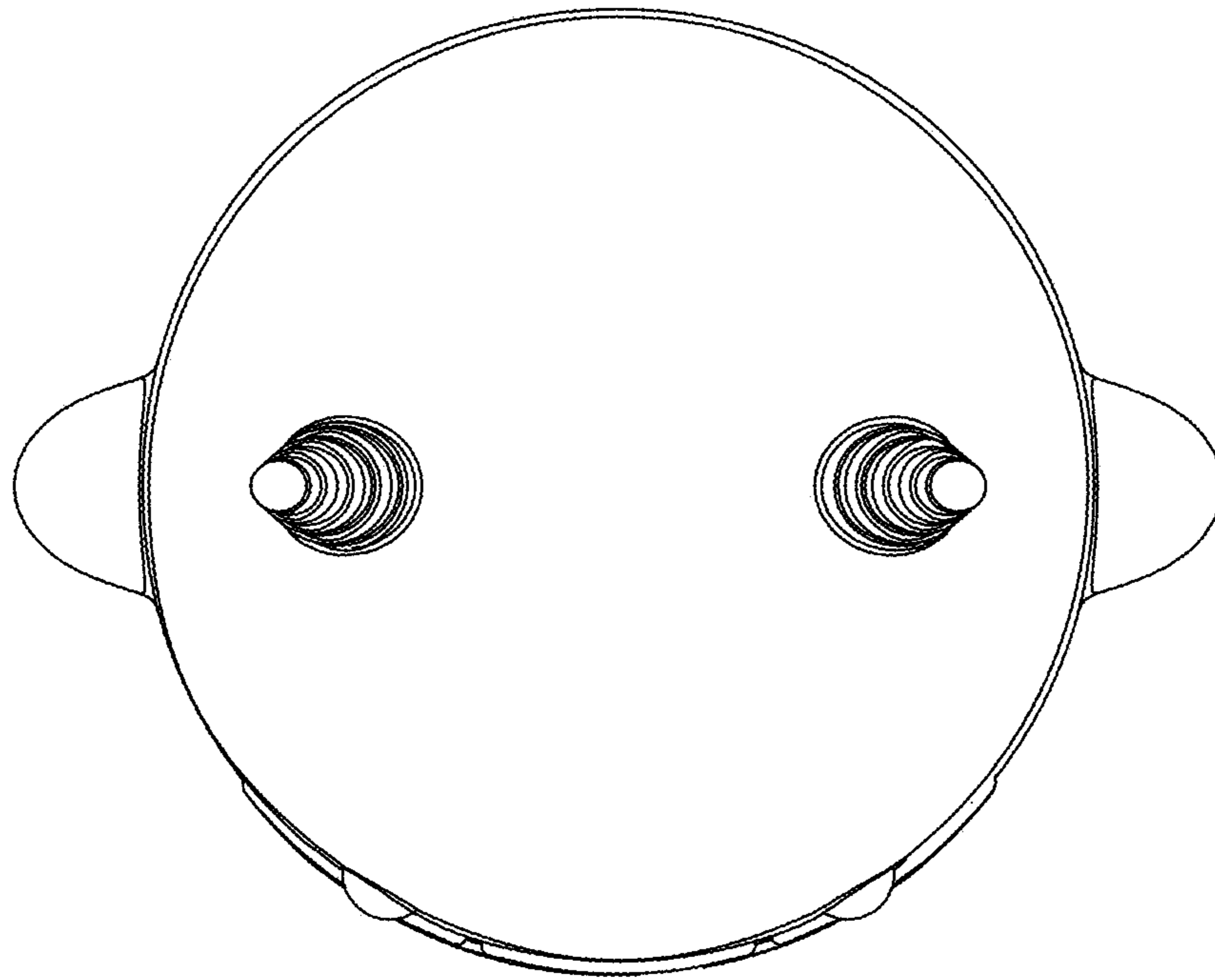


FIG. 5

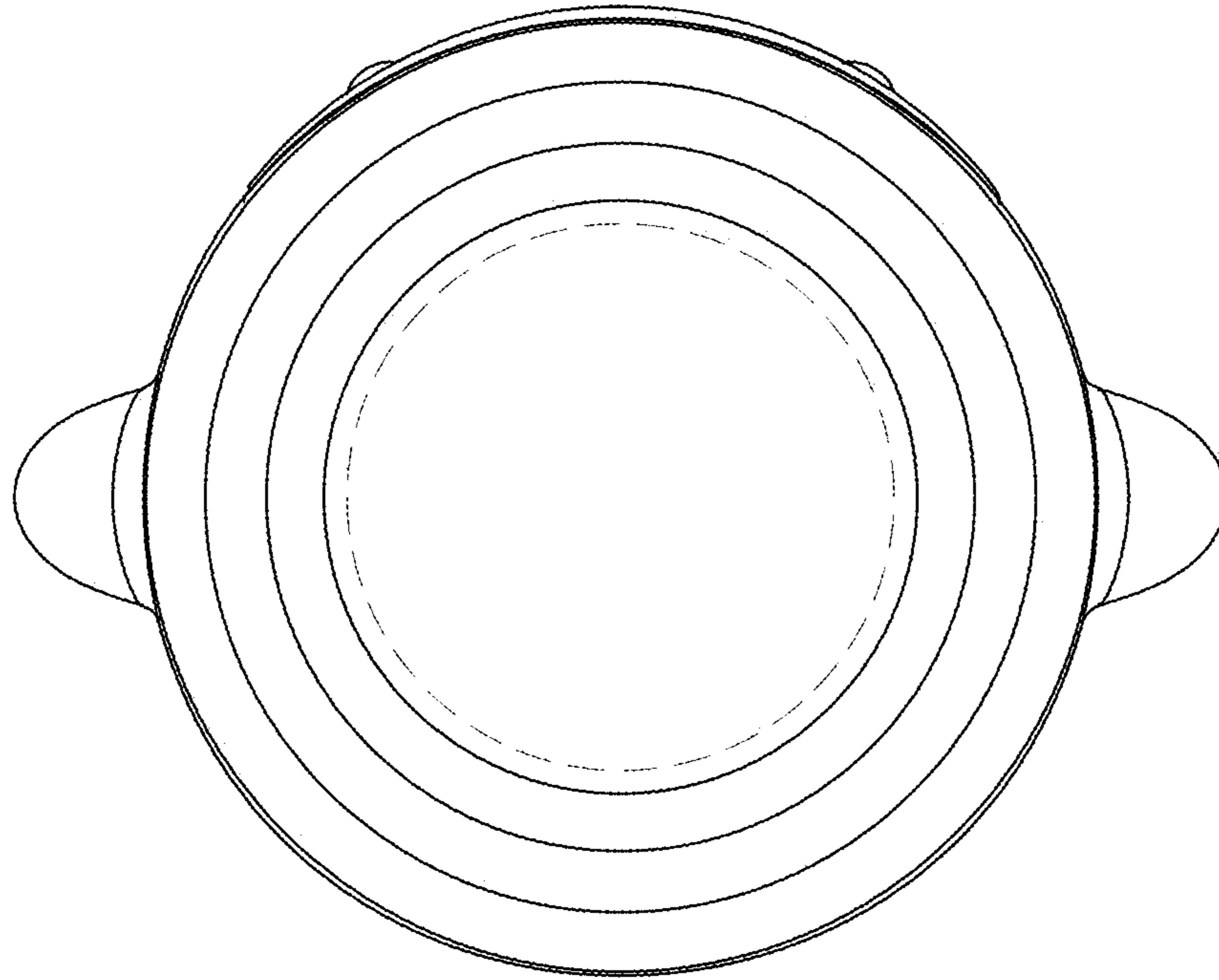


FIG. 6

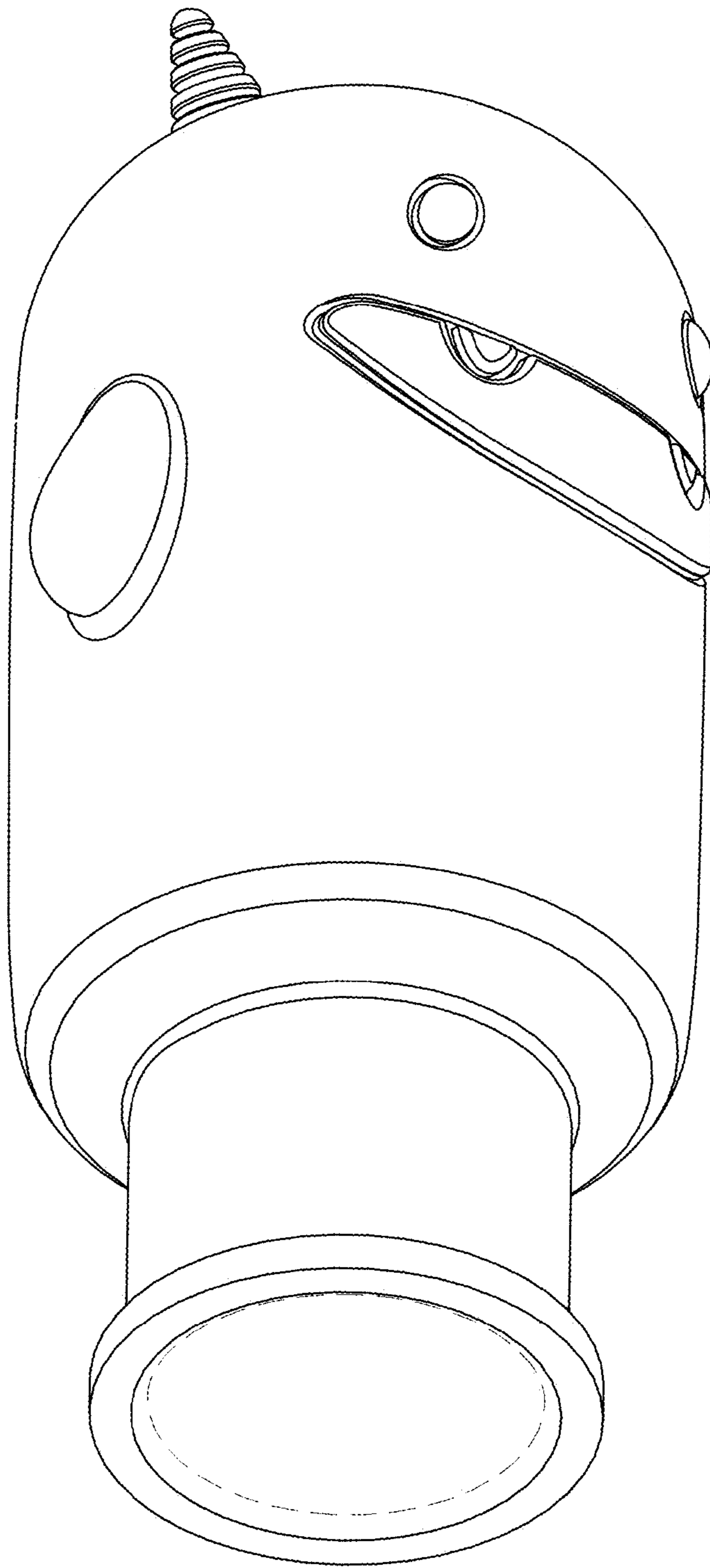


FIG. 7

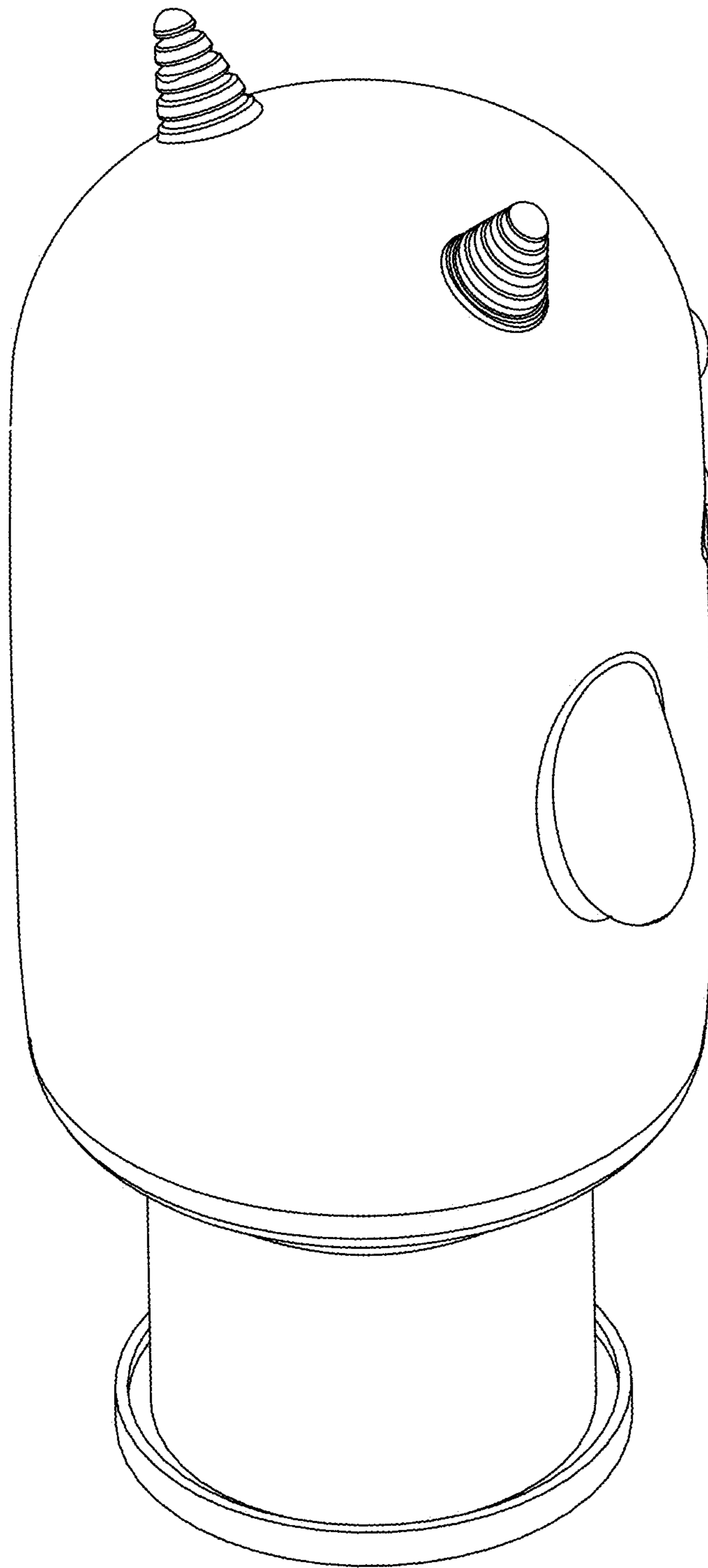


FIG. 8

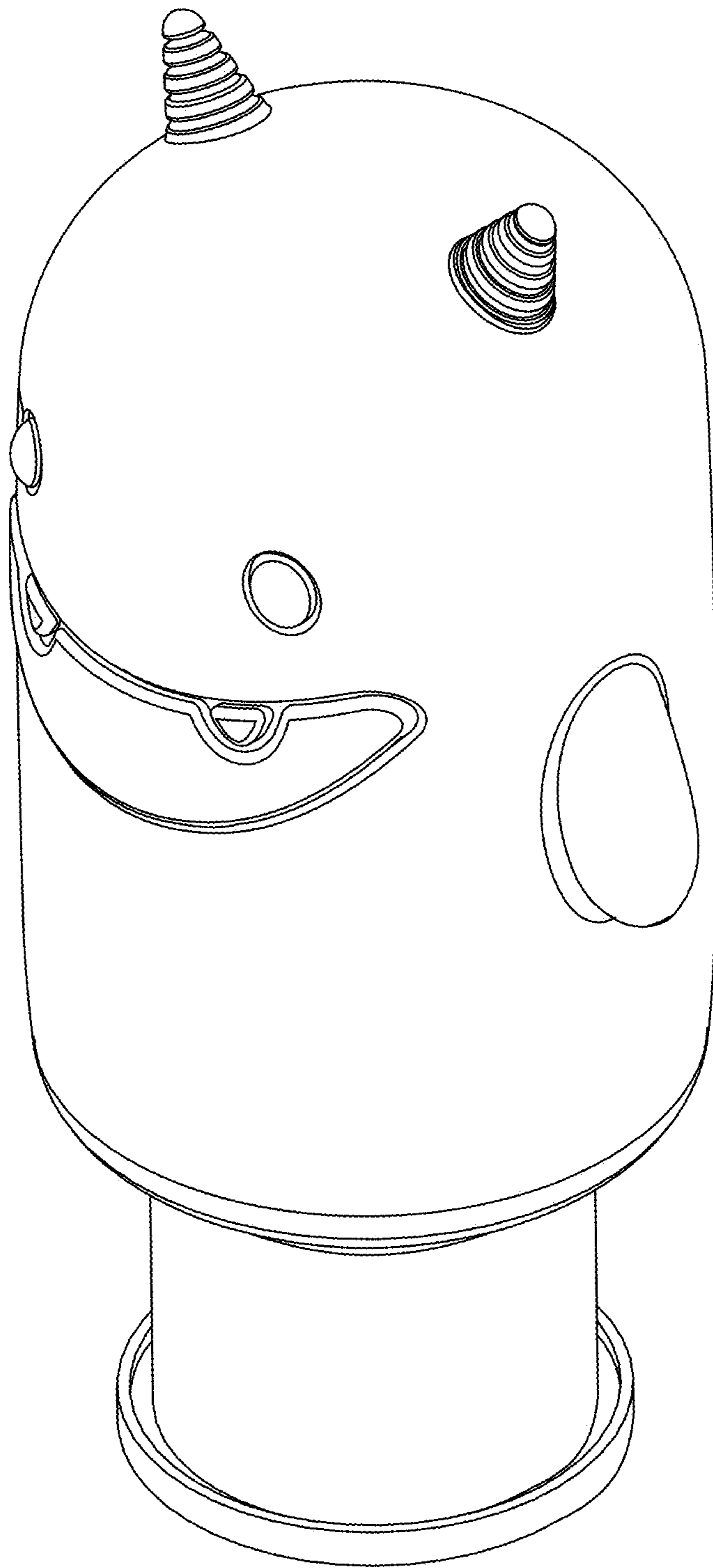


FIG. 9