



US00D878041S

(12) **United States Design Patent** (10) **Patent No.:** **US D878,041 S**
Min (45) **Date of Patent:** **** Mar. 17, 2020**

(54) **CASE FOR MOBILE DEVICE**
(71) Applicant: **Sang Kyu Min**, Seoul (KR)
(72) Inventor: **Sang Kyu Min**, Seoul (KR)
(**) Term: **15 Years**
(21) Appl. No.: **35/506,583**
(22) Filed: **Jul. 27, 2018**
(80) **Hague Agreement Data**
Int. Filing Date: **Jul. 27, 2018**
Int. Reg. No.: **DM/200054**
Int. Reg. Date: **Jul. 27, 2018**
Int. Reg. Pub. Date: **Feb. 1, 2019**

(30) **Foreign Application Priority Data**
Jan. 29, 2018 (KR) 30-2018-0004822
(51) **LOC (12) Cl.** **03-01**
(52) **U.S. Cl.**
USPC **D3/269; D14/250**
(58) **Field of Classification Search**
USPC D3/228, 224, 215, 221, 226, 247, 269,
D3/299, 273, 276, 289, 293, 290, 301,
D3/303, 318, 319; D14/250, 440, 447,
D14/334, 439, 432, 300
CPC A47C 7/62; A47C 1/14
See application file for complete search history.

(56) **References Cited**
U.S. PATENT DOCUMENTS
D334,837 S * 4/1993 Bradley D12/402
D387,199 S * 12/1997 Nagele D3/218

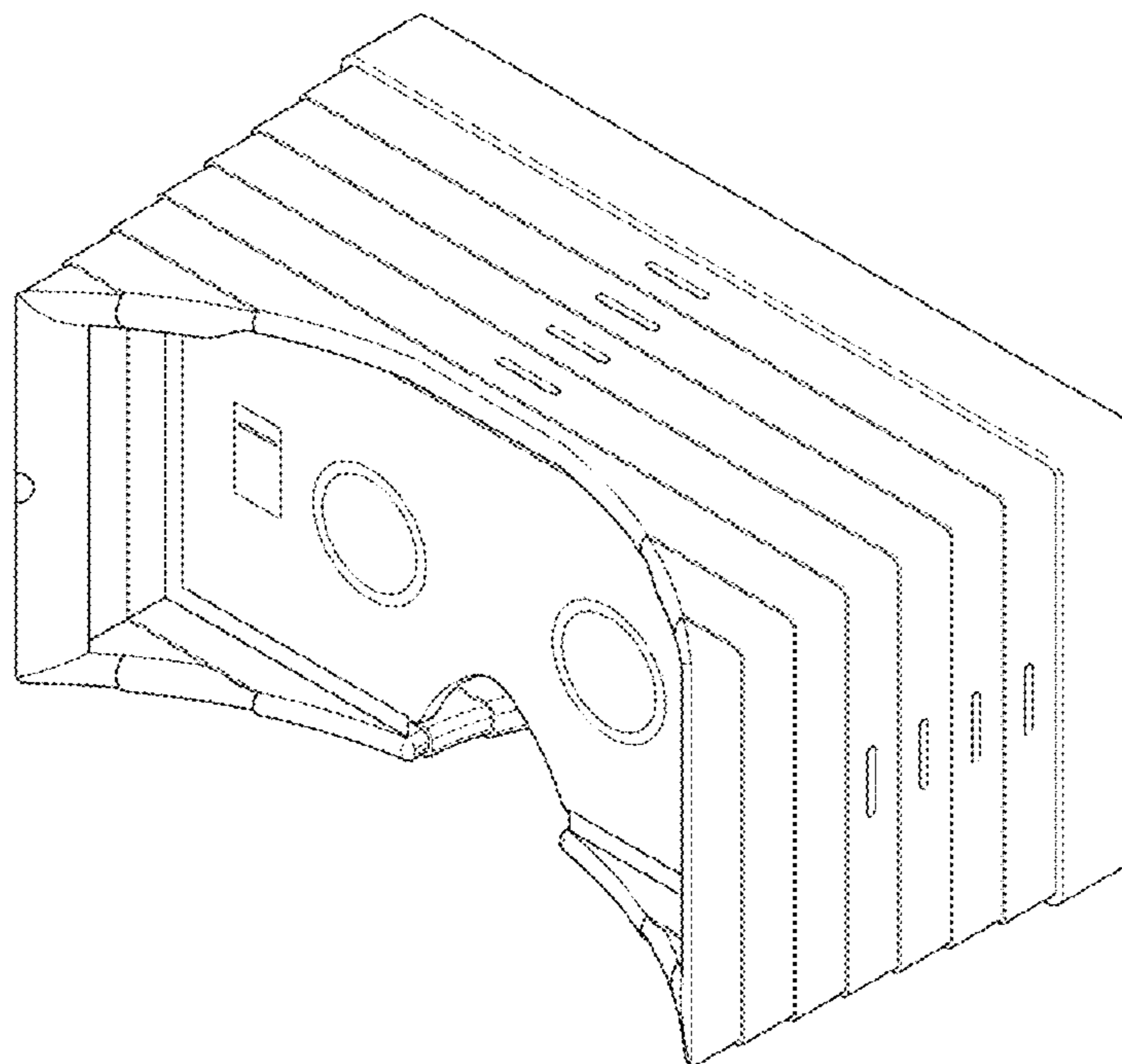
D455,898 S * 4/2002 Fitzsimmons, Jr. D3/218
D462,072 S * 8/2002 Kunz D14/250
D563,431 S * 3/2008 Entner D14/217
D570,593 S * 6/2008 Justiss D3/201
D577,194 S * 9/2008 Kovalik D3/269
D669,587 S * 10/2012 Mayer D14/250
D704,183 S * 5/2014 Guzman D14/250
D733,099 S * 6/2015 Pupecki D14/217
D739,381 S * 9/2015 Workman D14/215
D765,757 S * 9/2016 Katopis D16/309
D823,292 S * 7/2018 Li D14/250
D850,365 S * 6/2019 Loermann D13/107
D851,069 S * 6/2019 Fortin D14/217
D858,607 S * 9/2019 Henry D16/208
D860,166 S * 9/2019 Young D14/206
D862,442 S * 10/2019 Wei D14/250
D863,762 S * 10/2019 Urrutia D3/269

* cited by examiner
Primary Examiner — Holly E Thurman
(74) *Attorney, Agent, or Firm* — Maschoff Brennan

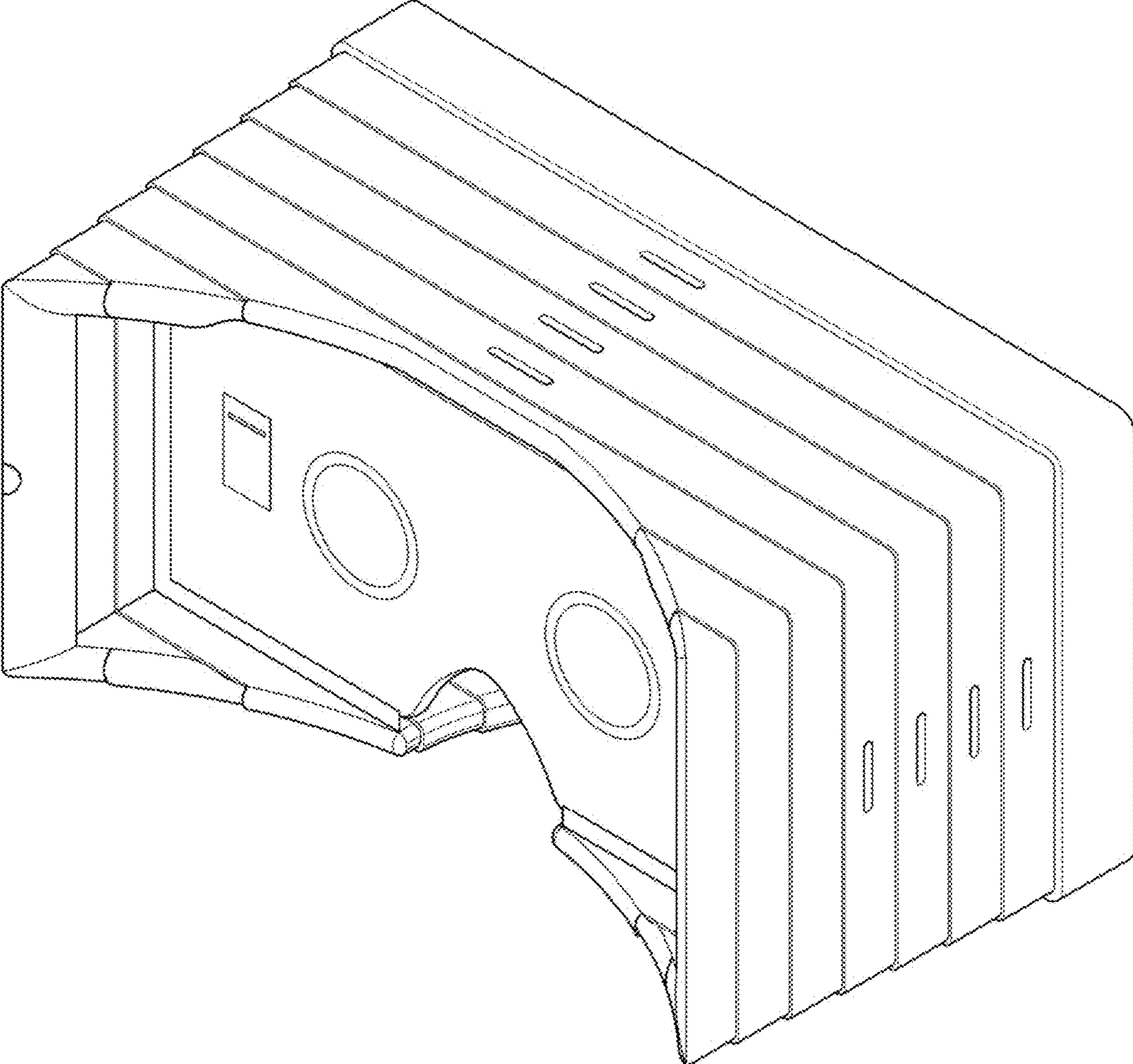
(57) **CLAIM**
The ornamental design for a case for mobile device, as shown and described.

DESCRIPTION
1. Case for mobile device
FIG. 1.1 is a perspective view of a case for mobile device showing my new design;
FIG. 1.2 is a front view thereof;
FIG. 1.3 is a rear view thereof;
FIG. 1.4 is a left side view thereof;
FIG. 1.5 is a right side view thereof;
FIG. 1.6 is top plan view thereof; and
FIG. 1.7 is bottom plan view thereof.

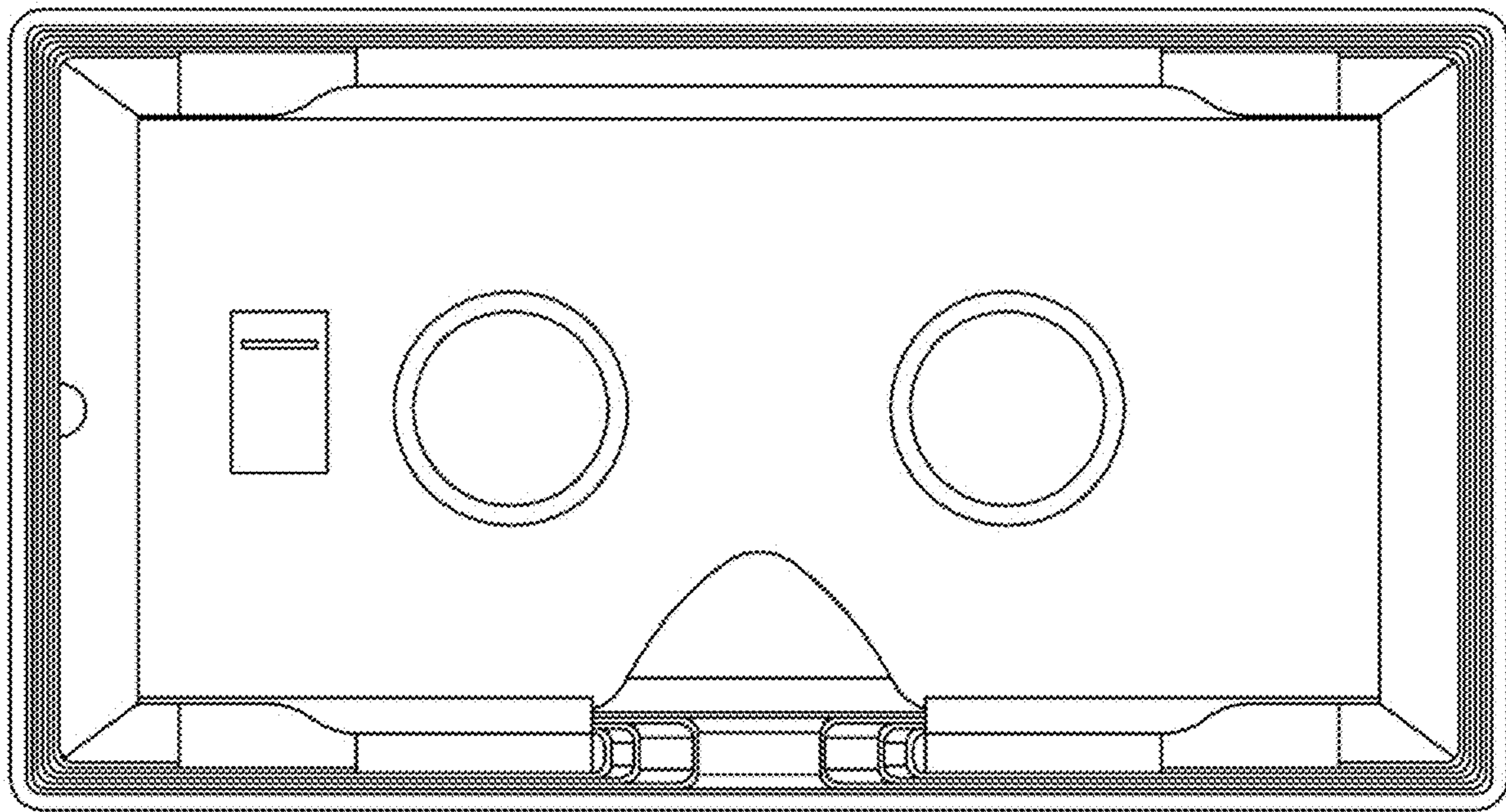
1 Claim, 7 Drawing Sheets



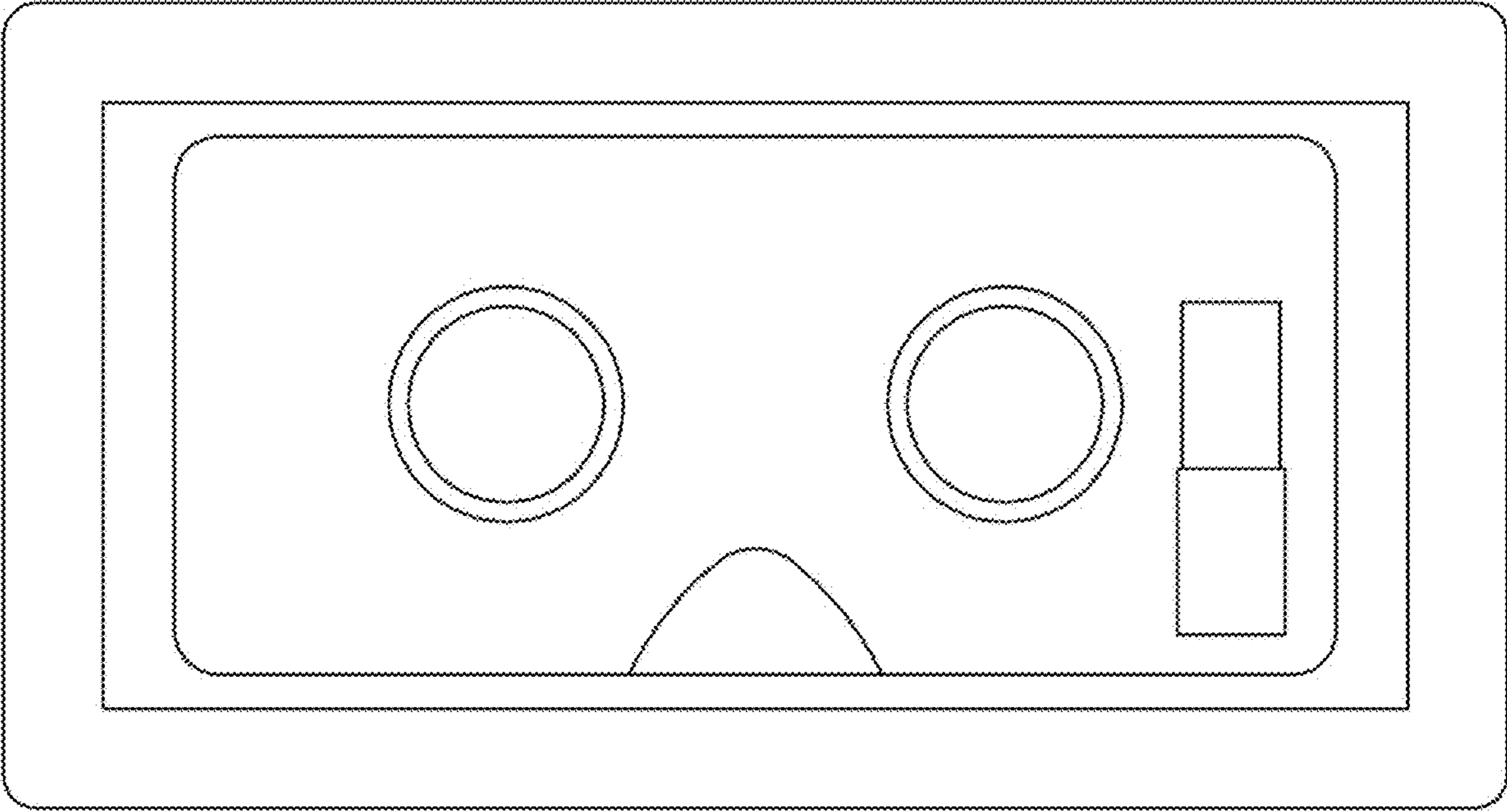
1.1



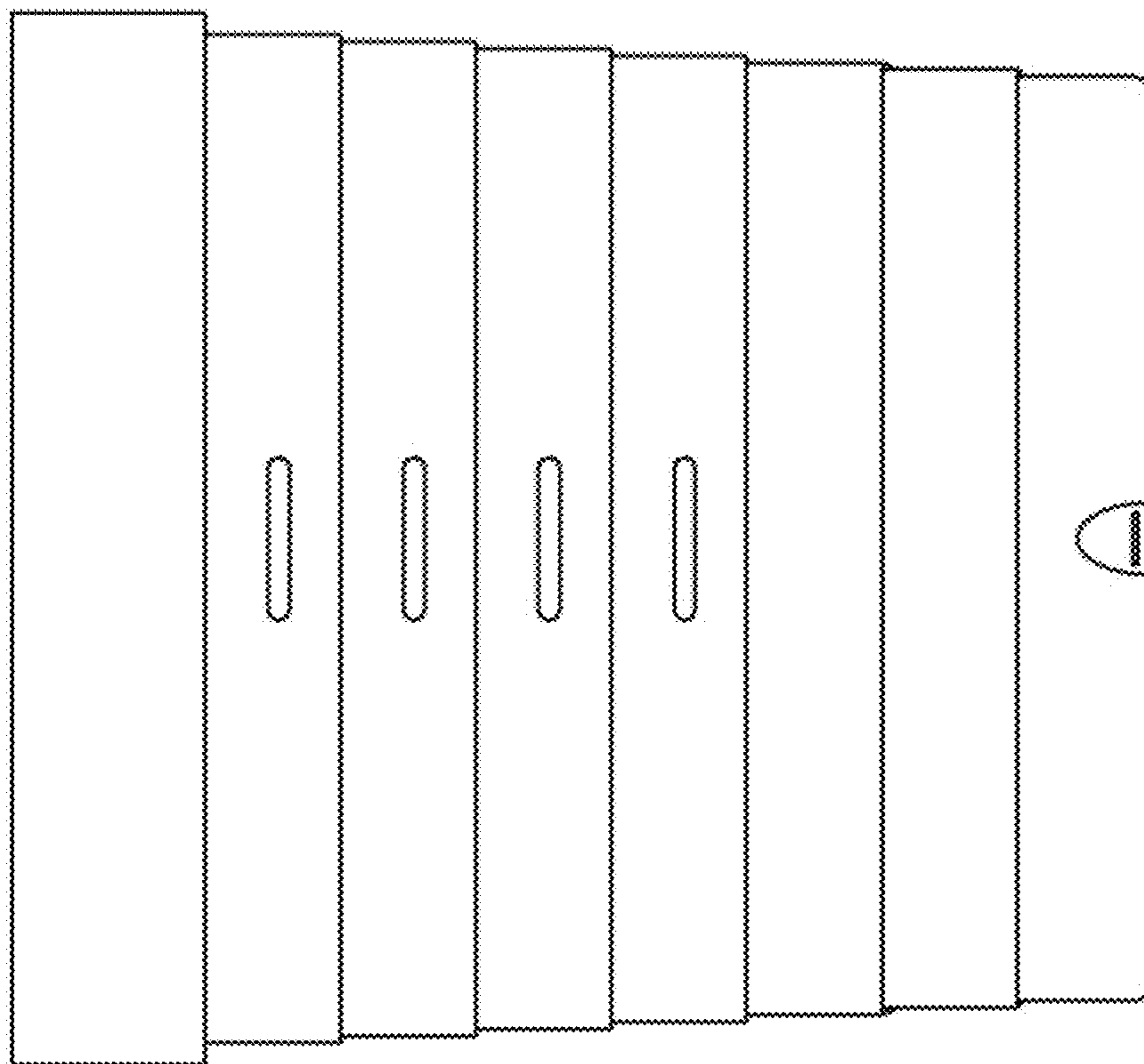
1.2



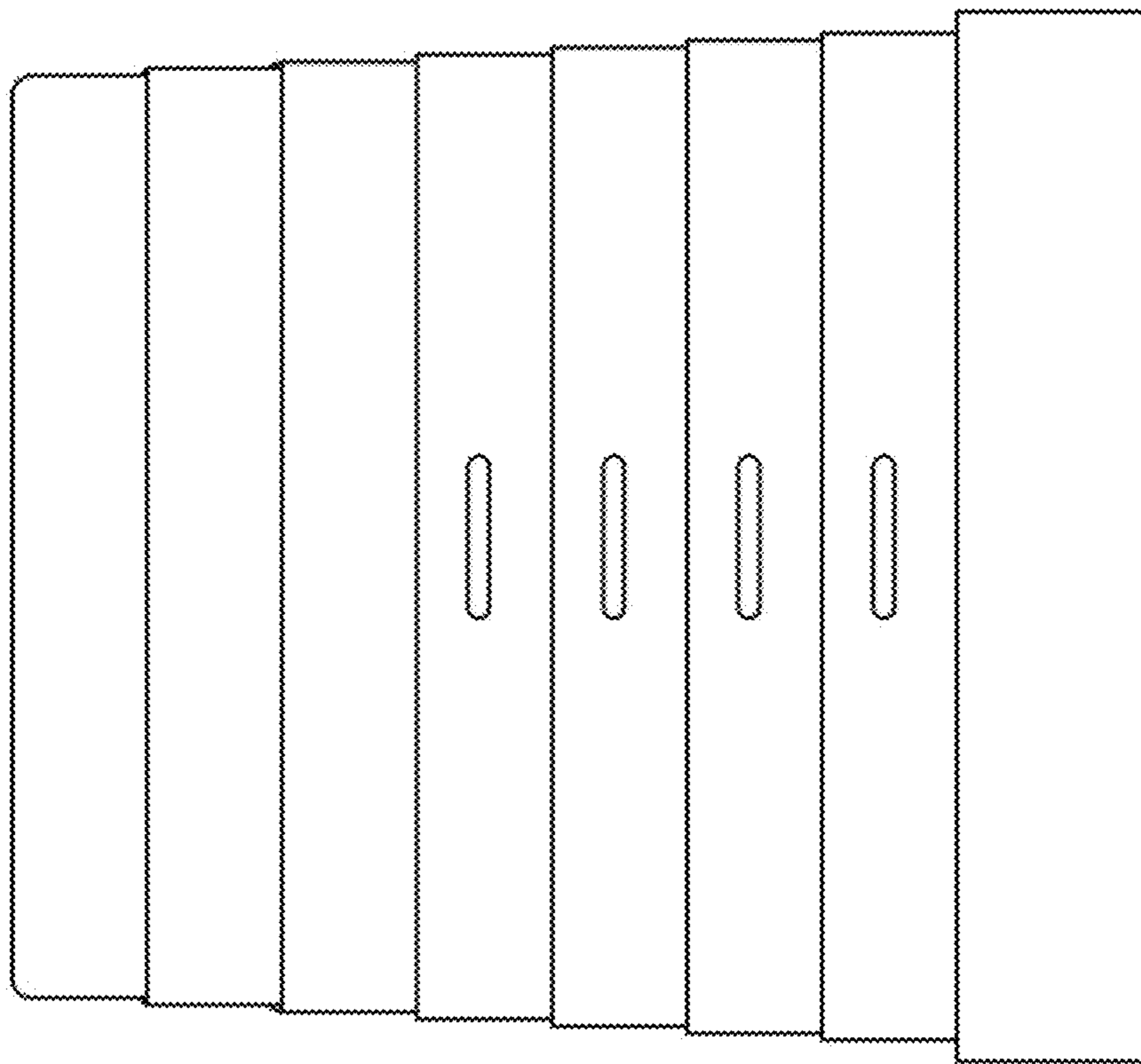
1.3



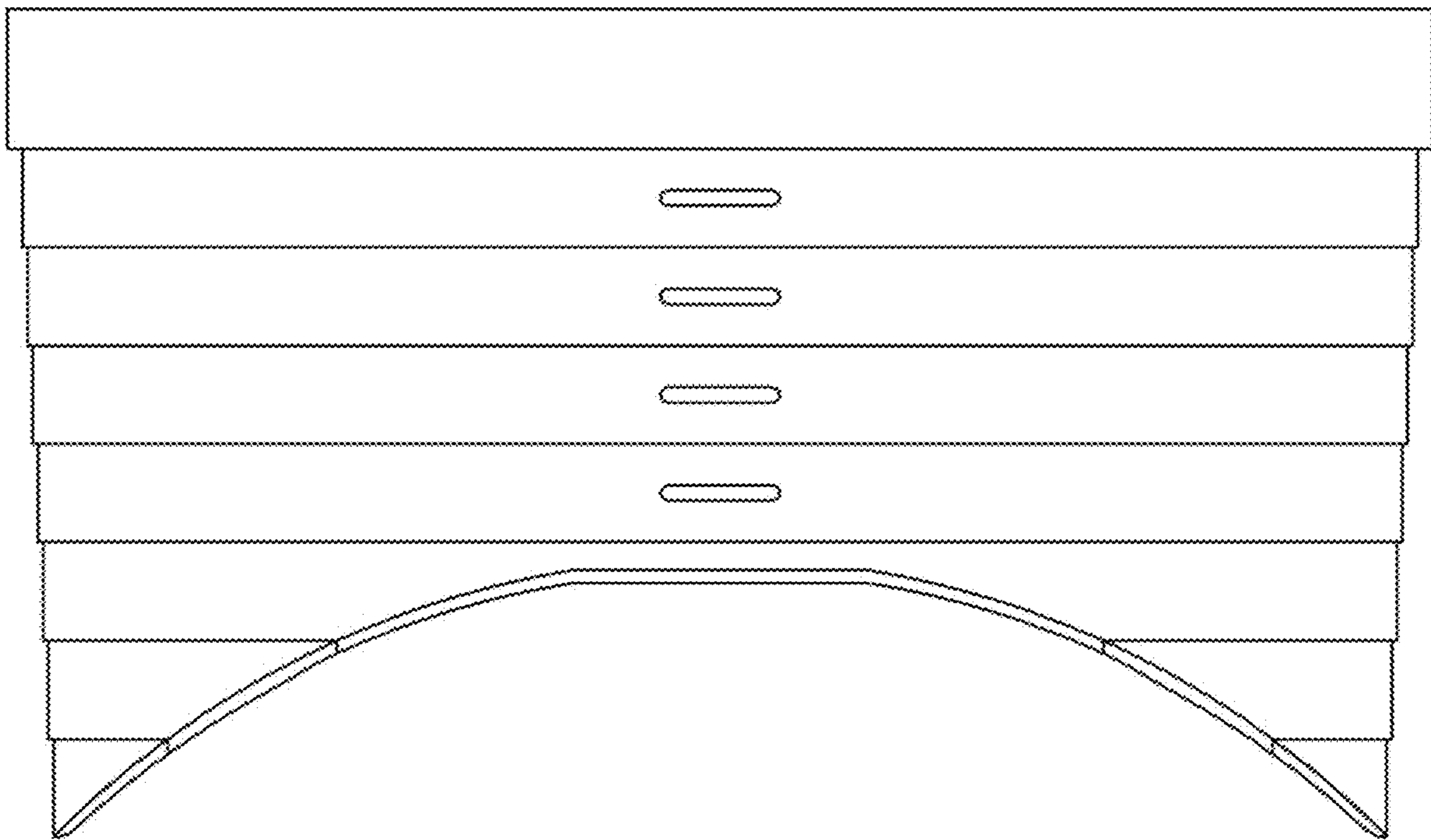
1.4



1.5



1.6



1.7

