

US00D878038S

(12) **United States Design Patent**
Hong

(10) **Patent No.:** **US D878,038 S**

(45) **Date of Patent:** **** Mar. 17, 2020**

(54) **COIN BAG**

D388,250 S * 12/1997 Robinson D3/232
D744,748 S * 12/2015 Zech D3/245

(71) Applicant: **Chung Cheng Hong**, Kaohsiung (TW)

* cited by examiner

(72) Inventor: **Chung Cheng Hong**, Kaohsiung (TW)

Primary Examiner — Holly H Baynham

(**) Term: **15 Years**

(74) *Attorney, Agent, or Firm* — Muncy, Geissler, Olds & Lowe, P.C.

(21) Appl. No.: **29/670,663**

(57) **CLAIM**

(22) Filed: **Nov. 19, 2018**

The ornamental design for a coin bag, as shown and described.

(51) **LOC (12) Cl.** **03-01**

(52) **U.S. Cl.**
USPC **D3/232**

DESCRIPTION

(58) **Field of Classification Search**
USPC D3/232–233, 240–243, 245–247,
D3/249–253
CPC .. A45C 1/024; A45C 1/06; A45C 3/06; A45C
3/08

FIG. 1 is a perspective view of a coin bag showing my new design;
FIG. 2 is a front elevational view thereof;
FIG. 3 is a rear elevational view thereof;
FIG. 4 is a left side elevational view thereof;
FIG. 5 is a right side elevational view thereof;
FIG. 6 is a top plan view thereof; and,
FIG. 7 is a bottom plan view thereof.

See application file for complete search history.

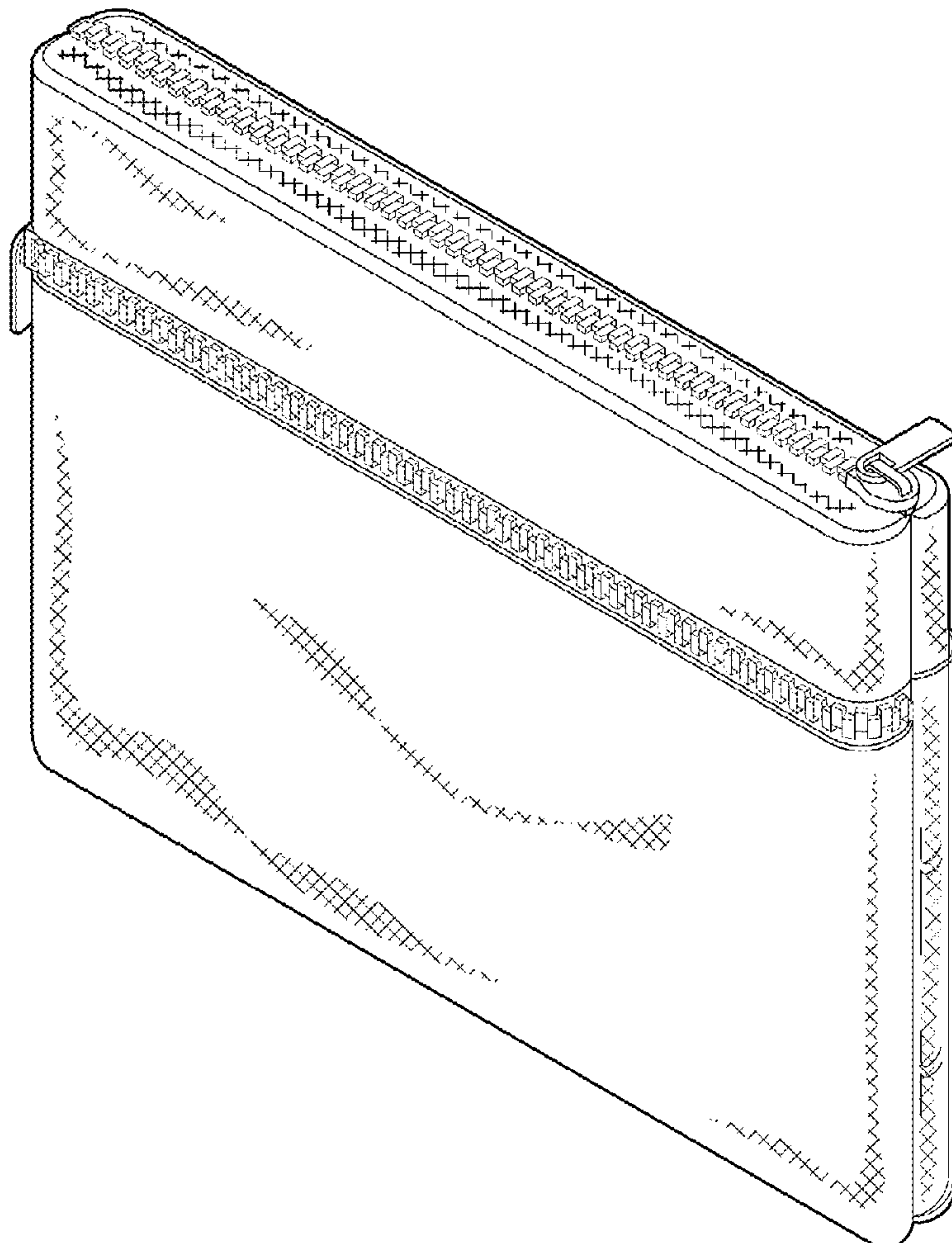
The broken lines depict portions of the article that form no part of the claimed design.

(56) **References Cited**

U.S. PATENT DOCUMENTS

1 Claim, 6 Drawing Sheets

D247,930 S * 5/1978 Glaser D3/245



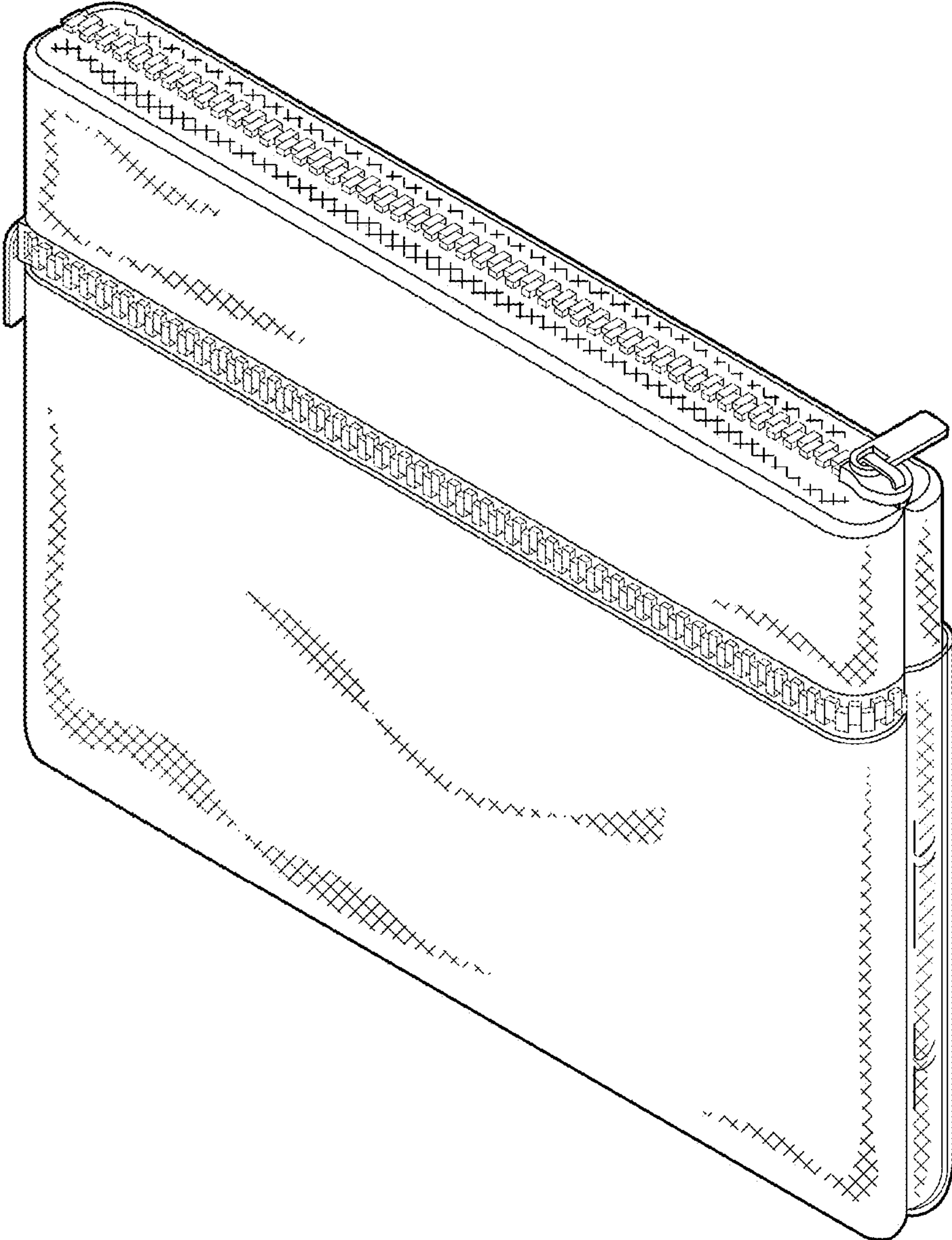


FIG. 1

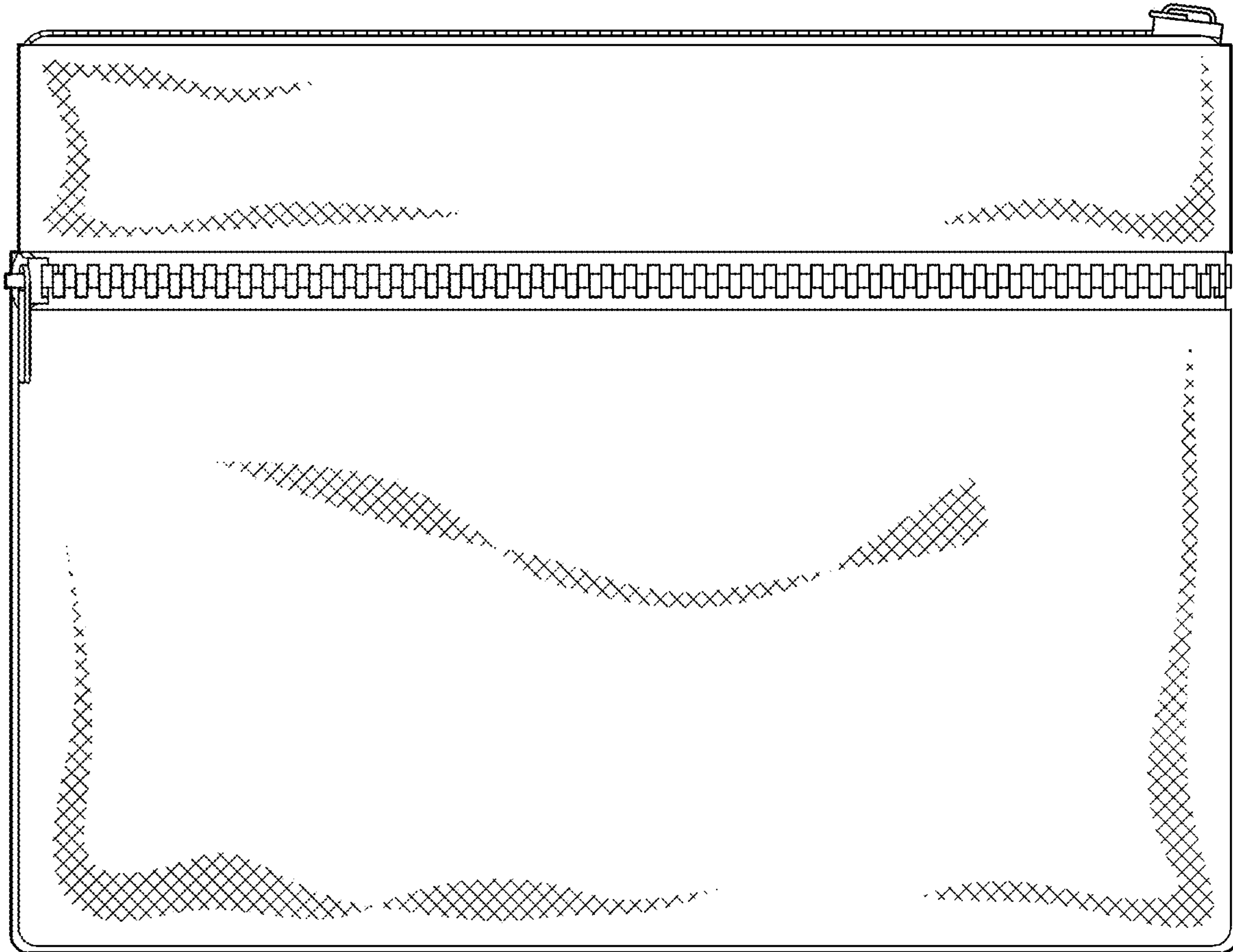


FIG. 2

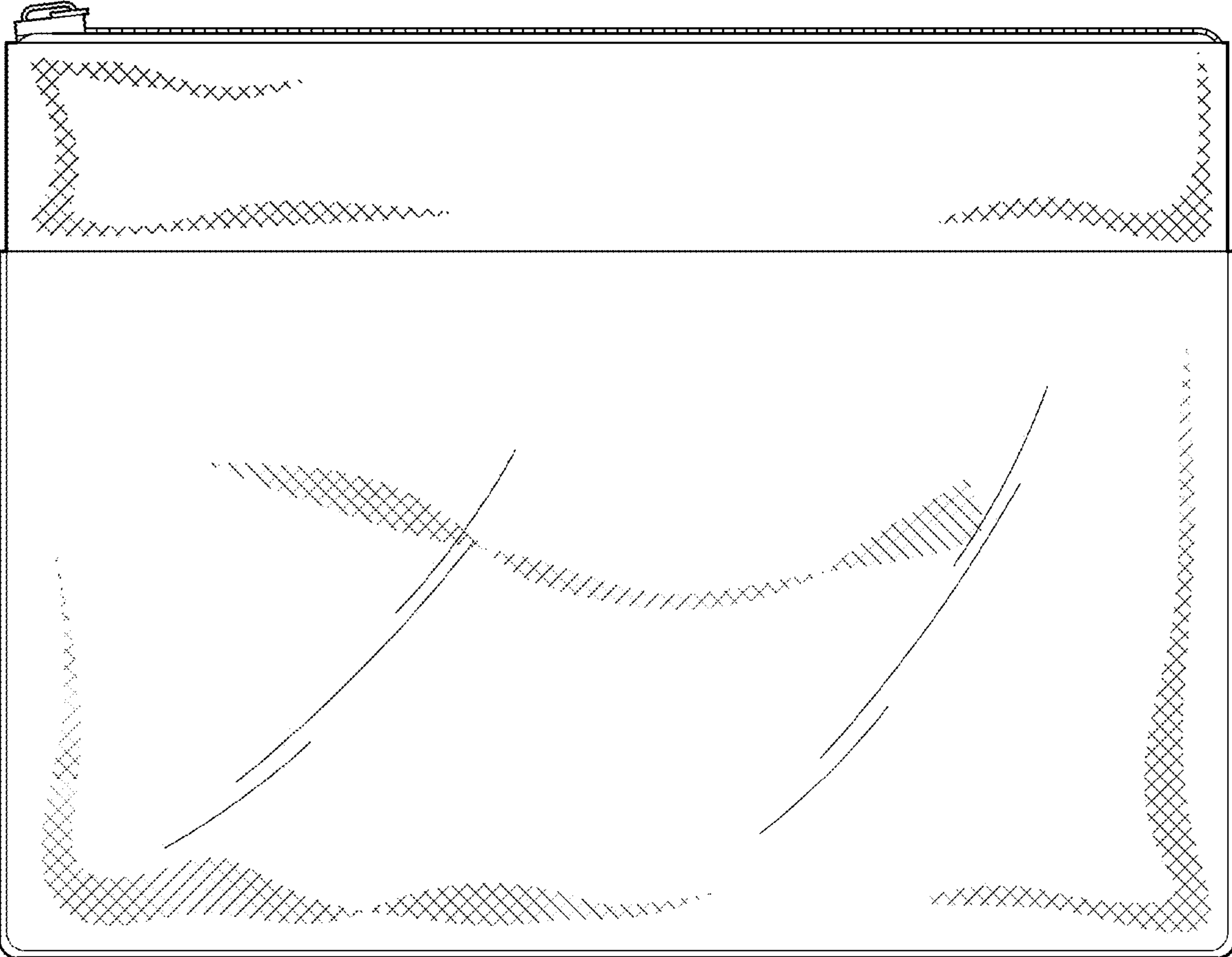


FIG. 3

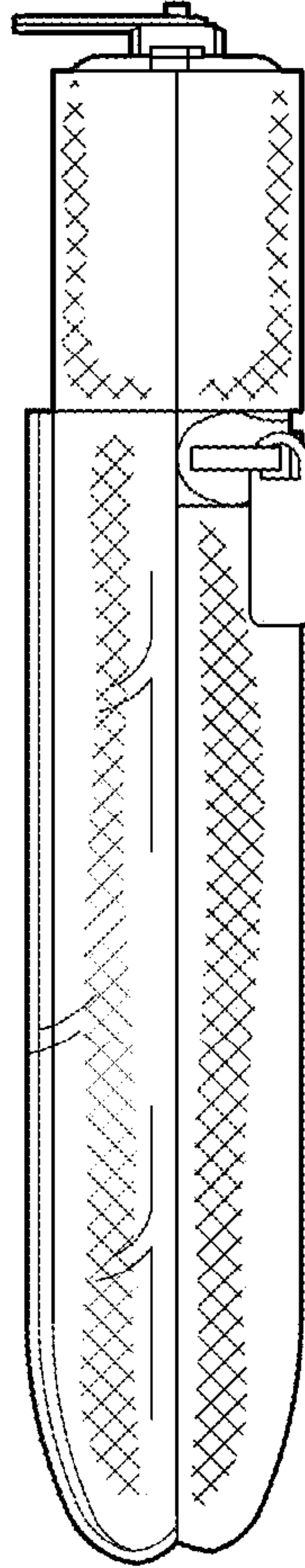


FIG. 4

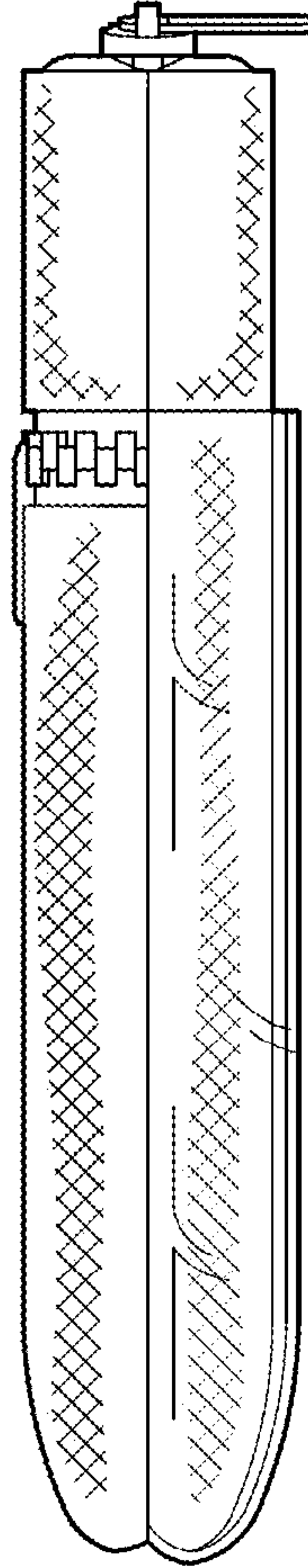


FIG. 5

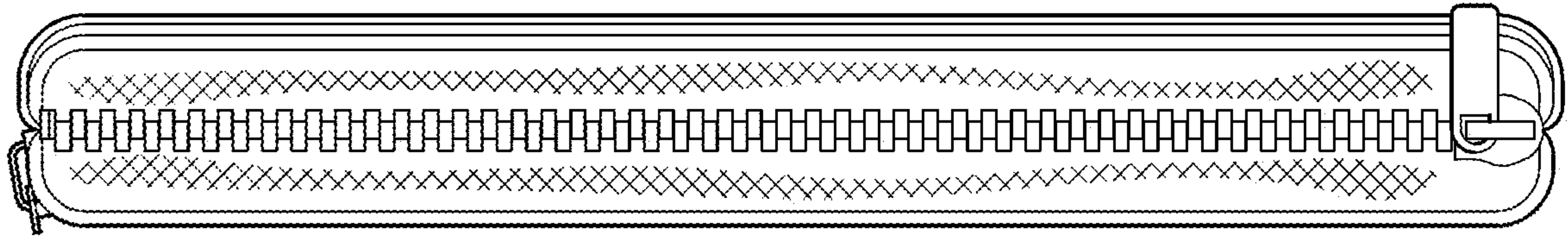


FIG. 6

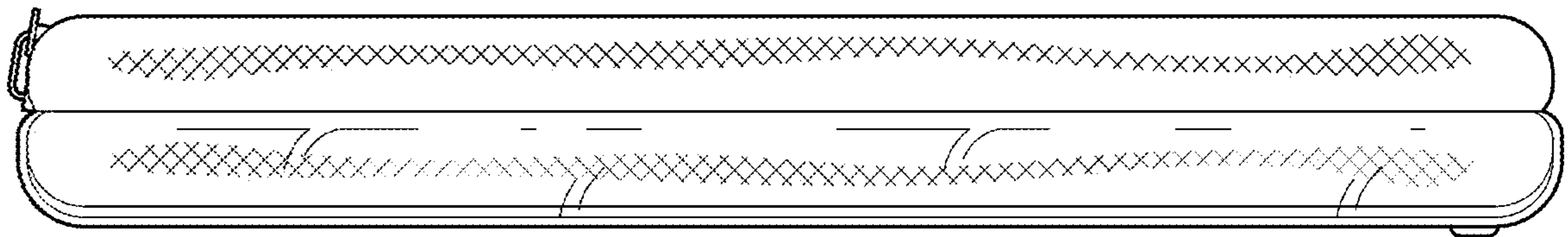


FIG. 7