



US00D878037S

(12) **United States Design Patent** (10) **Patent No.:** **US D878,037 S**
Sasaki-Whalen et al. (45) **Date of Patent:** **** Mar. 17, 2020**

(54) **PURSE**

(71) Applicant: **Wholesale Boutique, LLC**, Myrtle Beach, SC (US)

(72) Inventors: **Naomi Sasaki-Whalen**, Murrells Inlet, SC (US); **Harmony Kensinger**, Myrtle Beach, SC (US); **Lauren Elizabeth Baker**, Bishopville, SC (US); **Denise Dunman Thigpen**, Murrells Inlet, SC (US); **Hayley Stewart**, Myrtle Beach, SC (US); **Taylor Borum**, Myrtle Beach, SC (US); **Jennifer G. Summers**, Myrtle Beach, SC (US); **Jocelyne Barchet**, Nashville, TN (US); **Tiffany Rembert**, Sumter, SC (US)

(73) Assignee: **WHOLESALE BOUTIQUE, LLC**, Myrtle Beach, SC (US)

(**) Term: **15 Years**

(21) Appl. No.: **29/605,684**

(22) Filed: **May 30, 2017**

(51) **LOC (12) Cl.** **03-01**

(52) **U.S. Cl.**
USPC **D3/226; D3/232; D3/245**

(58) **Field of Classification Search**
 USPC D3/226, 227, 229, 230, 232, 233, 234, D3/235, 238, 239, 240, 241, 242, 243, D3/244, 245, 246, 247, 248, 249, 250, D3/251, 252, 253, 270, 271.2, 271.3, D3/271.9, 205; D19/26
 CPC .. A45C 1/024; A45C 3/04; A45C 3/06; A45C 3/08; A45C 3/10; A45C 7/0059; A45C 7/0077; A45C 13/08; A45C 13/26; A45C 2001/083

See application file for complete search history.

(56) **References Cited**

U.S. PATENT DOCUMENTS

1,718,276	A	*	6/1929	Child	A45C 3/06 206/260
D89,545	S	*	3/1933	Jahncke	150/117
D392,844	S	*	3/1998	Todorya	D7/606
D394,348	S	*	5/1998	Aliff	D3/234
D398,445	S	*	9/1998	Smith	D3/226
D468,094	S	*	1/2003	Bomann	D3/226
D490,238	S	*	5/2004	Bristel	D3/226
D550,451	S	*	9/2007	Burlington	D3/226
D582,665	S	*	12/2008	Gonzalez	D3/232
D629,204	S	*	12/2010	Spira	150/112
D663,117	S	*	7/2012	Schiffman	D3/232
D669,267	S	*	10/2012	Mecchella	D3/289
D671,738	S	*	12/2012	Hargens	D3/226
D713,644	S	*	9/2014	Johnson	D3/303
D719,346	S	*	12/2014	Thomson	D3/206
D719,347	S	*	12/2014	Newton	D3/218

(Continued)

Primary Examiner — Cathron C Brooks

(74) *Attorney, Agent, or Firm* — Burr & Forman LLP; Douglas L. Lineberry

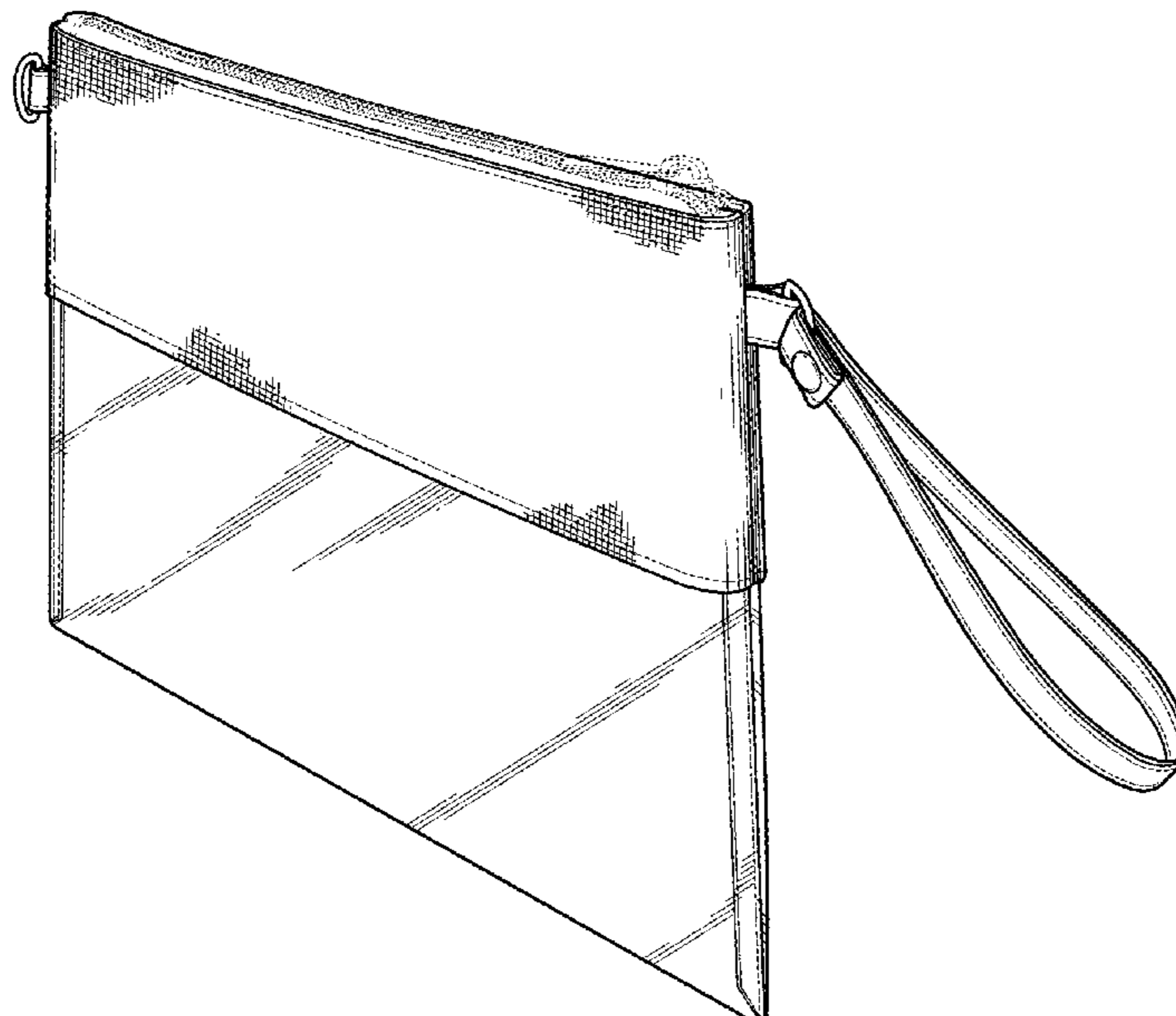
(57) **CLAIM**

The ornamental design for a purse, as shown and described.

DESCRIPTION

FIG. 1 is a front perspective view showing the purse;
 FIG. 2 is a back view showing the purse;
 FIG. 3 is a front view showing the purse;
 FIG. 4 is a side view of the purse;
 FIG. 5 is an opposing side view of the purse;
 FIG. 6 is a top down view of the purse;
 FIG. 7 is a bottom view of the purse;
 FIG. 8 is another front perspective view of the purse, but showing a strap attachment in broken lines; and,
 FIG. 9 is a back view thereof.
 The broken lines in the figures illustrate portions of the purse that form no part of the claimed design.

1 Claim, 5 Drawing Sheets



(56)

References Cited

U.S. PATENT DOCUMENTS

D742,635	S	*	11/2015	Coleman	D3/232
D764,164	S	*	8/2016	Louboutin	D3/245
D770,174	S	*	11/2016	Smith, Sr.	D3/232
D782,187	S	*	3/2017	Lucas	D3/232
D795,572	S	*	8/2017	Hance	D3/245
D807,033	S	*	1/2018	Lucas	D3/246
D811,733	S	*	3/2018	Barclay	D3/232
D816,988	S	*	5/2018	McLauchlin	D3/232
D851,923	S	*	6/2019	Dumas	D3/232
D855,974	S	*	8/2019	Vickery	D3/232
2001/0043762	A1	*	11/2001	Cappel	B65D 33/065 383/5
2002/0090489	A1	*	7/2002	Dobreski	B65D 33/2591 428/99
2005/0025392	A1	*	2/2005	Stolmeier	B65D 33/2591 383/5
2007/0294885	A1	*	12/2007	Patel	B29C 66/1122 29/767
2009/0265898	A1	*	10/2009	Ackerman	B65D 33/2591 24/400

* cited by examiner

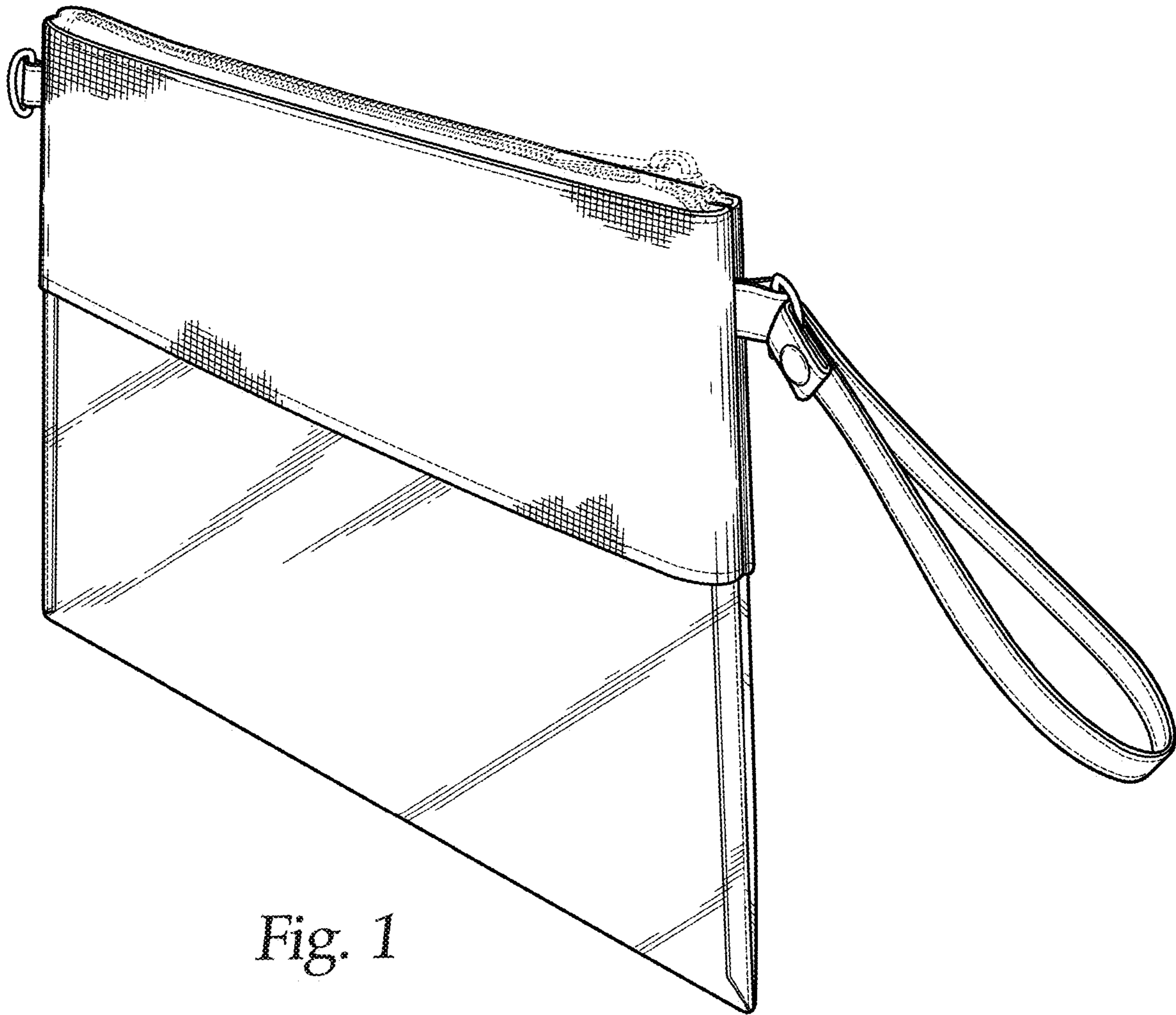


Fig. 1

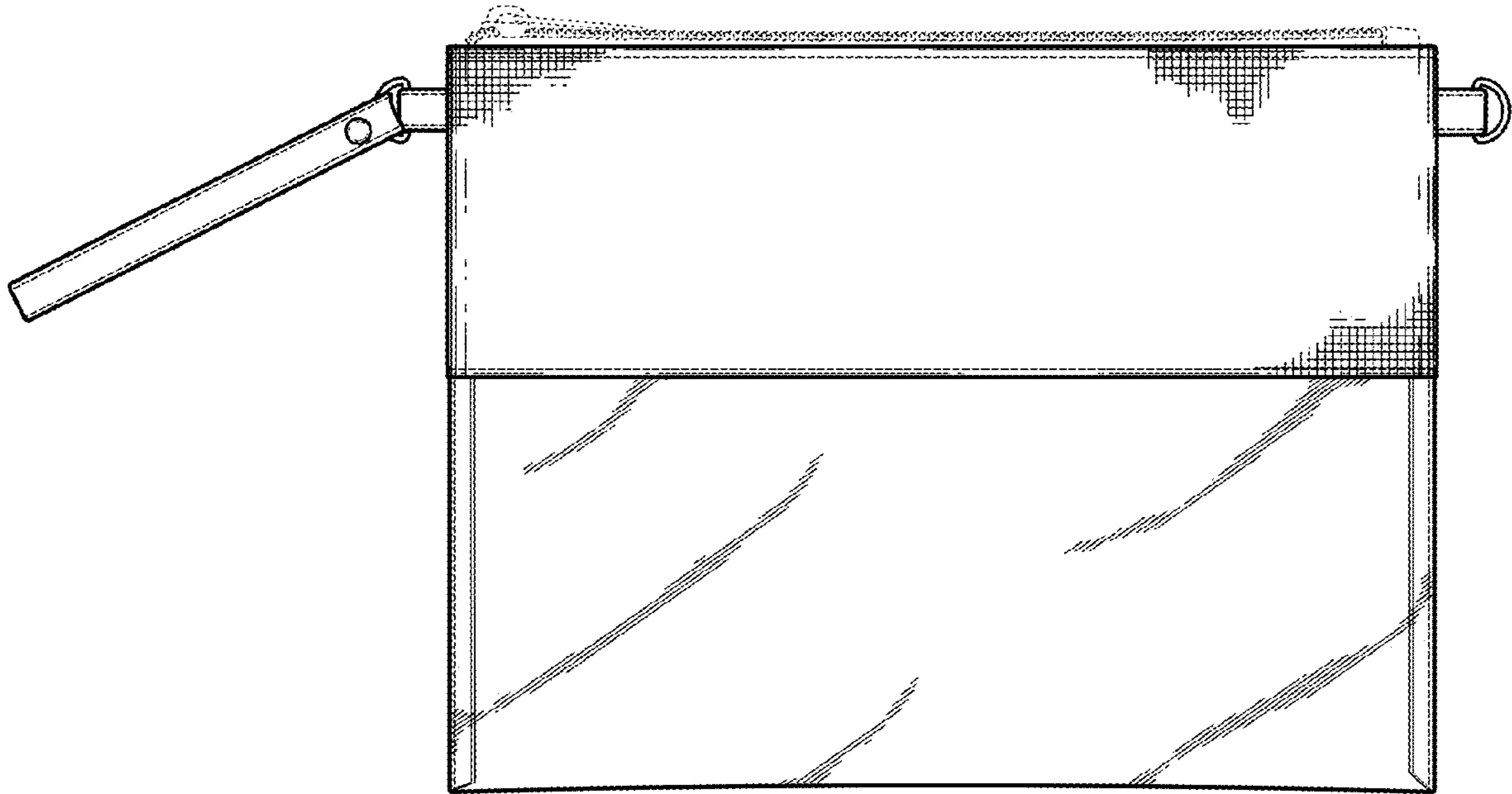


Fig. 2

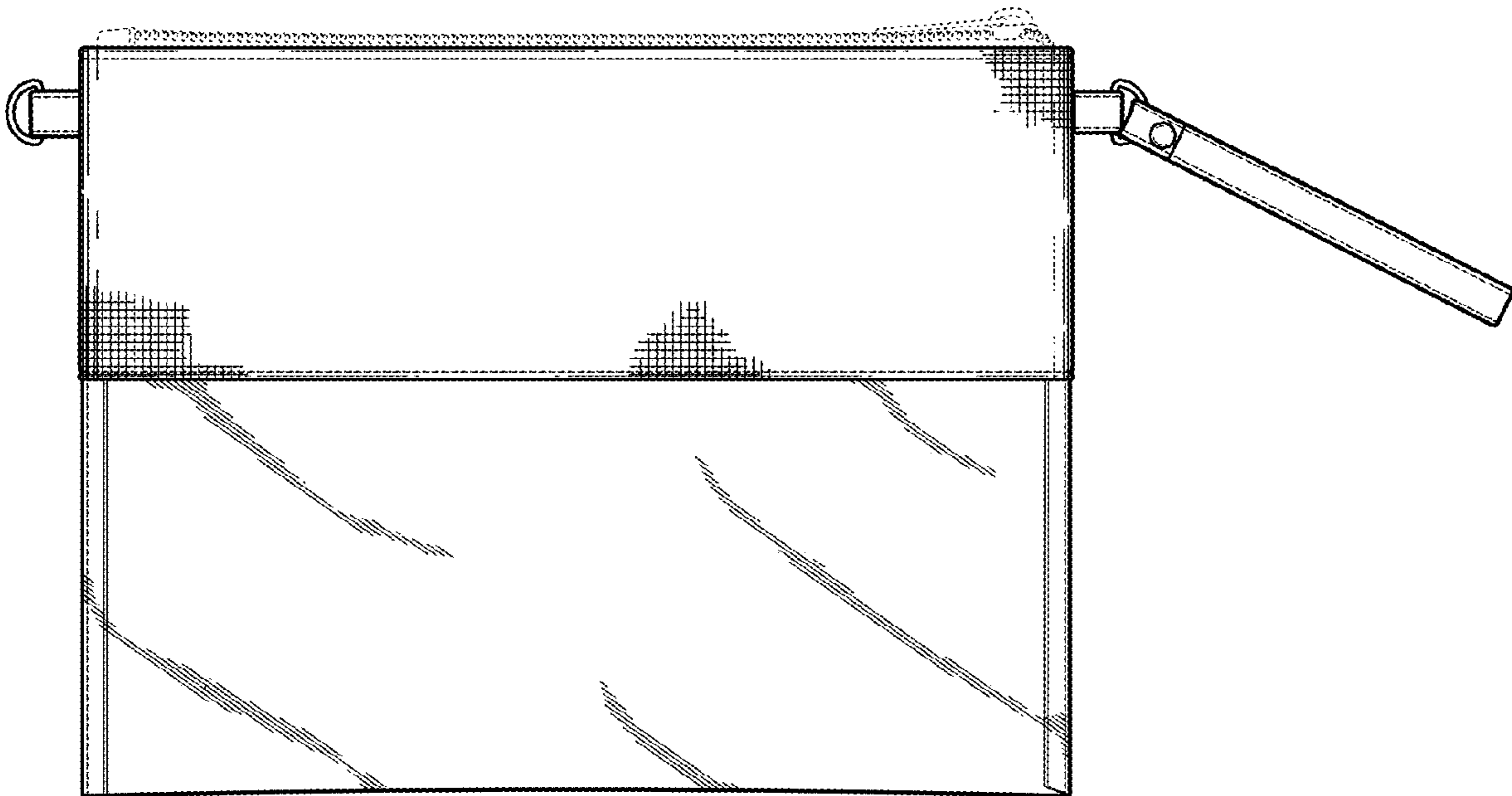


Fig. 3

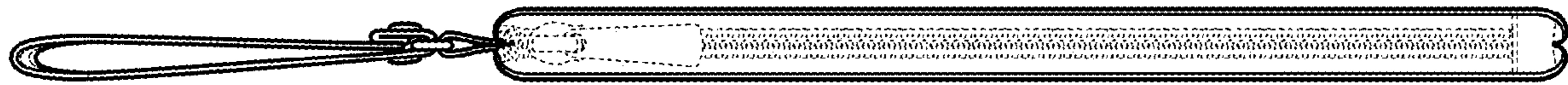
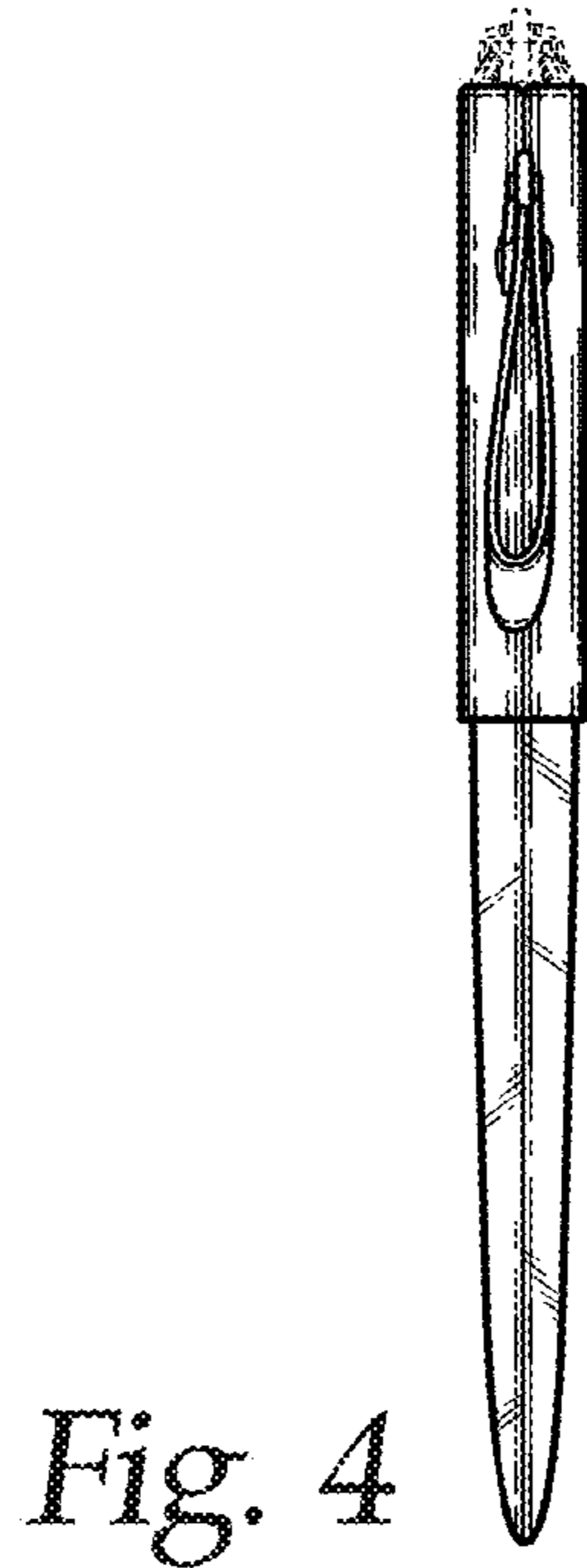


Fig. 6



Fig. 7



Fig. 8

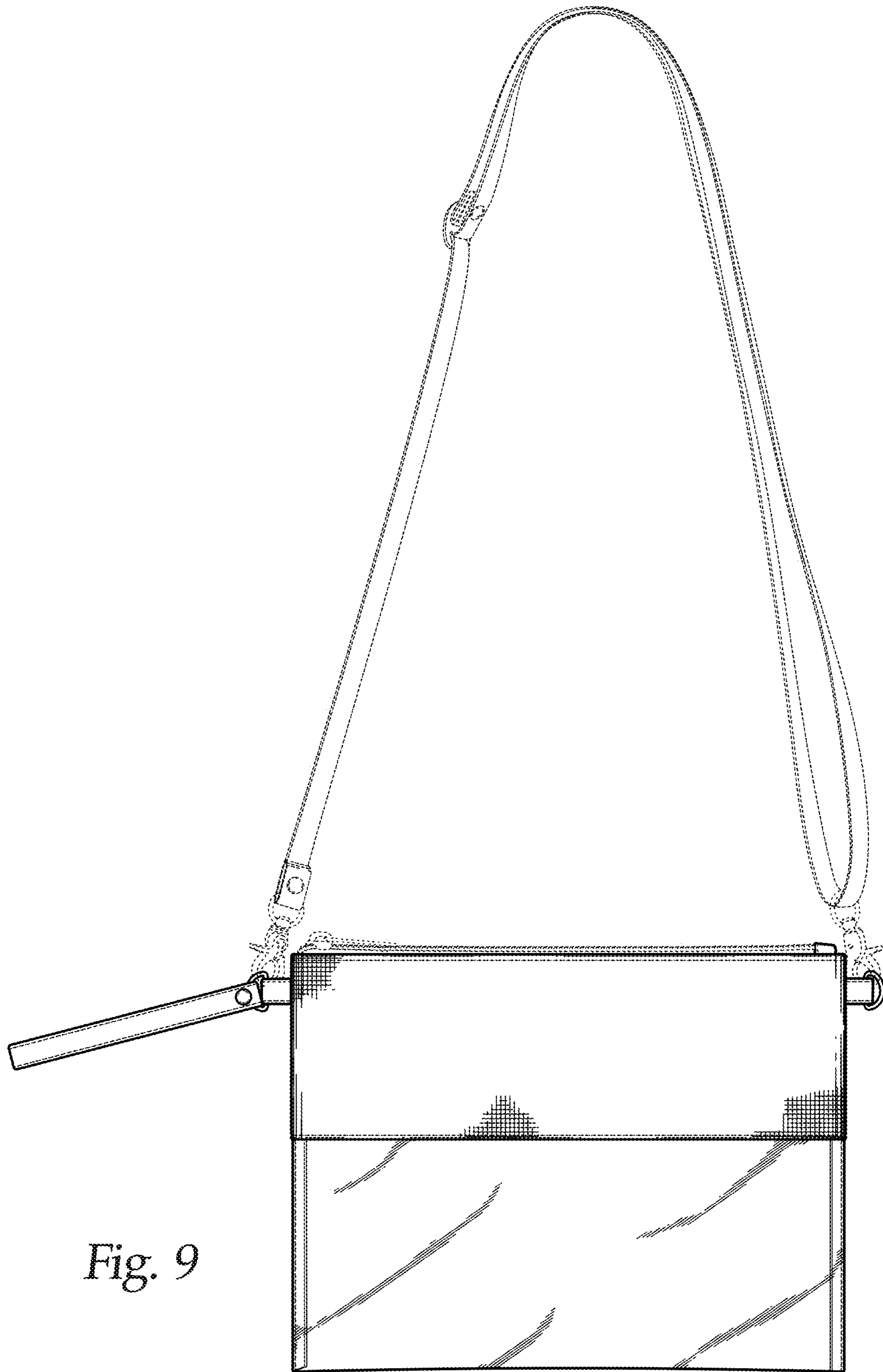


Fig. 9