



US00D878035S

(12) **United States Design Patent**
Peng

(10) **Patent No.:** **US D878,035 S**

(45) **Date of Patent:** **** Mar. 17, 2020**

(54) **TOILETRY BAG**

(71) Applicant: **Shenzhen YiZhiMei Bag Co. Ltd.,**
Shenzhen (CN)

(72) Inventor: **Dan Peng,** Qianjiang (CN)

(73) Assignee: **Shenzhen YiZhiMei Bag Co. Ltd.,**
Shenzhen (CN)

(**) Term: **15 Years**

(21) Appl. No.: **29/616,921**

(22) Filed: **Sep. 10, 2017**

(51) **LOC (12) Cl.** **03-03**

(52) **U.S. Cl.**
USPC **D3/205**

(58) **Field of Classification Search**
USPC D3/205, 206
CPC A47K 17/00
See application file for complete search history.

(56) **References Cited**

U.S. PATENT DOCUMENTS

D106,132 S * 9/1937 Doppelt D3/301
D377,861 S * 2/1997 Jacober D3/203.1

D453,416 S * 2/2002 Terry D3/205
D494,360 S * 8/2004 Ostermann D3/205
D816,984 S * 5/2018 Jusic D3/205
D819,956 S * 6/2018 Woodard D3/203.6

* cited by examiner

Primary Examiner — Charles D Hanson

(74) *Attorney, Agent, or Firm* — Yong Chen

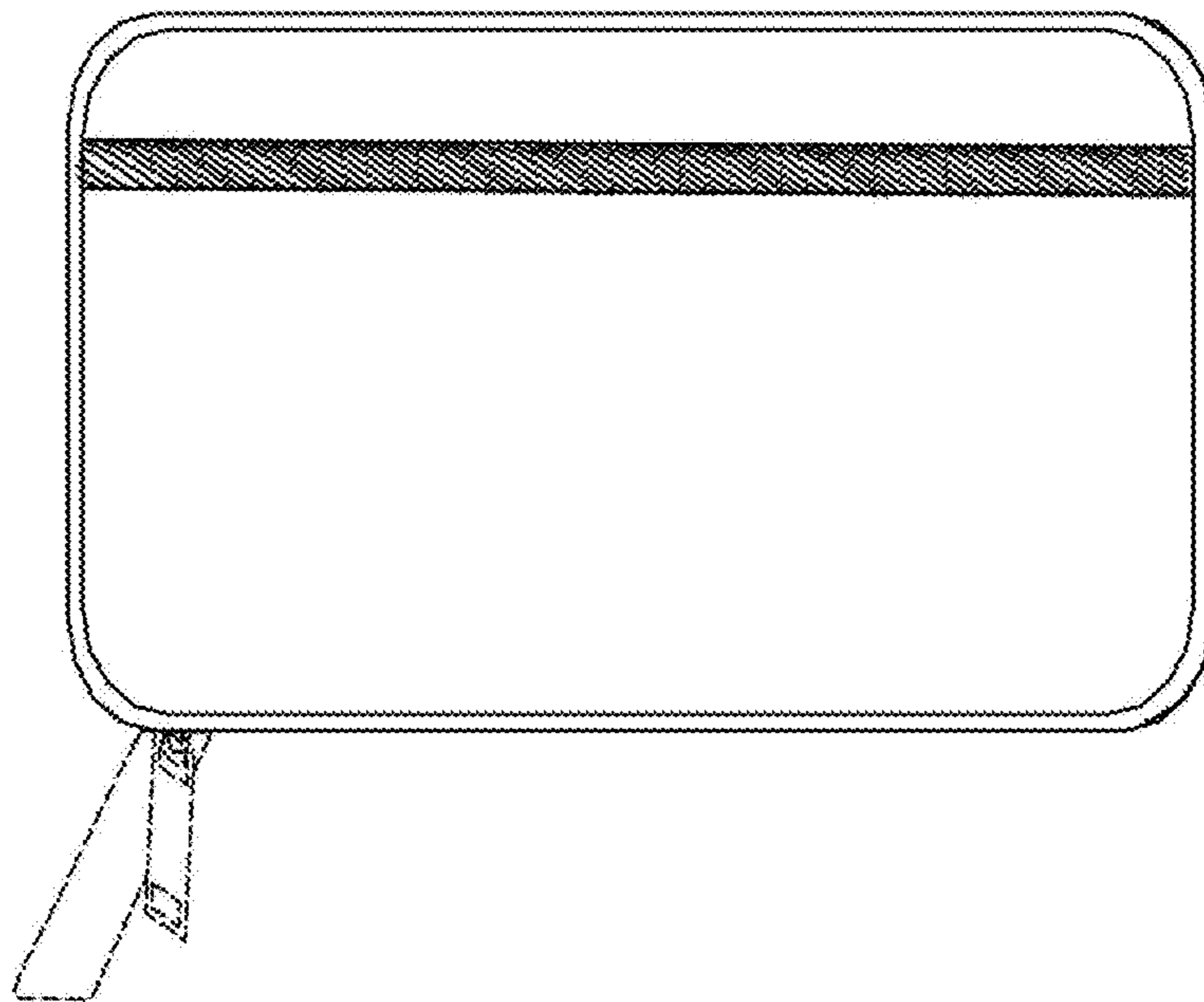
(57) **CLAIM**

The ornamental design for a toiletry bag, as shown and described.

DESCRIPTION

FIG. 1 is a front view of a toiletry bag of the present invention when the bag is in a closed configuration. FIG. 2 is a back view of the toiletry bag shown in FIG. 1. FIG. 3 is a left view of the toiletry bag shown in FIG. 1. FIG. 4 is a right view of the toiletry bag shown in FIG. 1. FIG. 5 is a top view of the toiletry bag shown in FIG. 1; and, FIG. 6 is a bottom view of the toiletry bag shown in FIG. 1. The broken line showing is included for the purpose of illustrating unclaimed subject matter and forms no part of the claimed design.

1 Claim, 5 Drawing Sheets



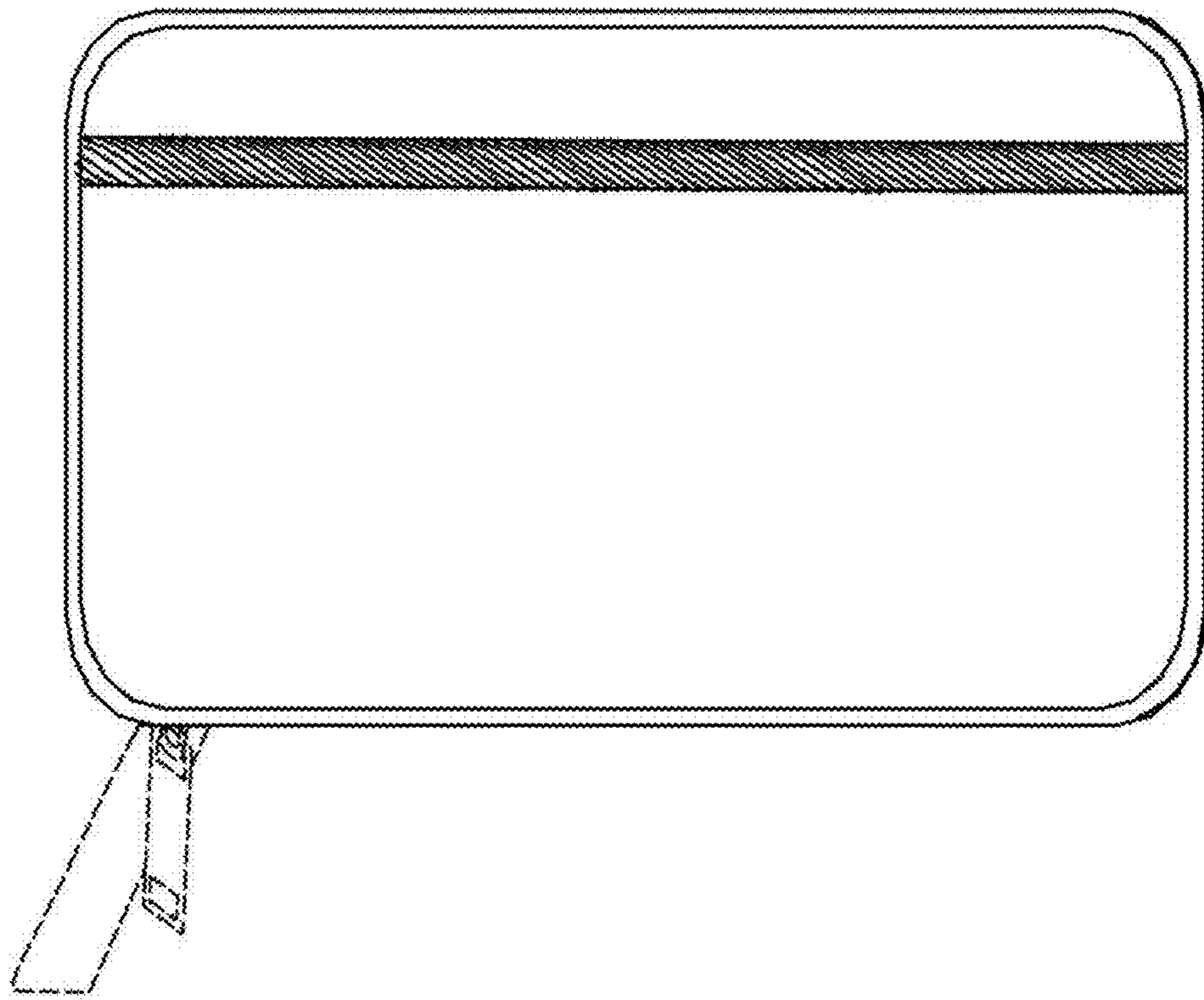


FIG. 1

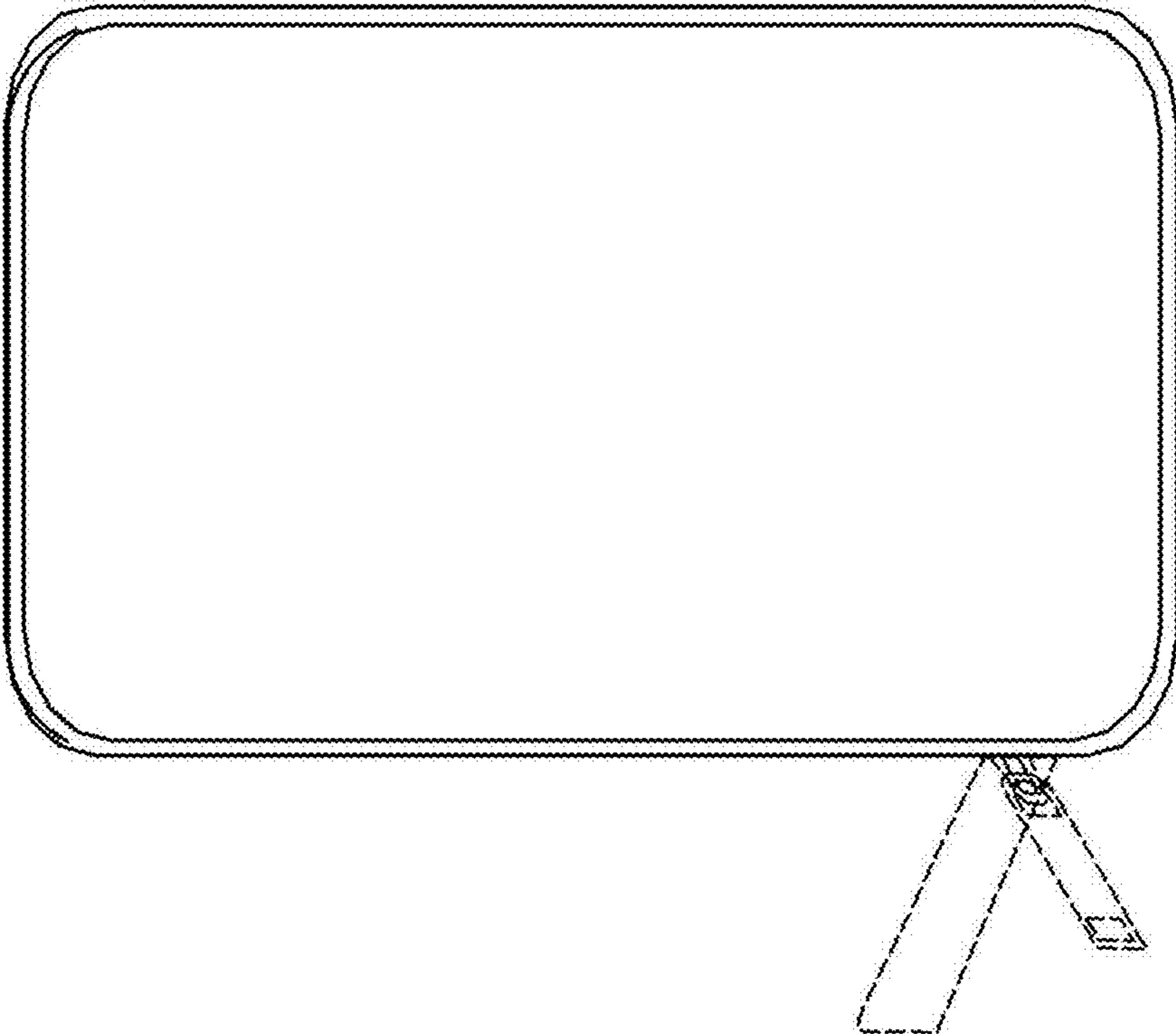


FIG. 2

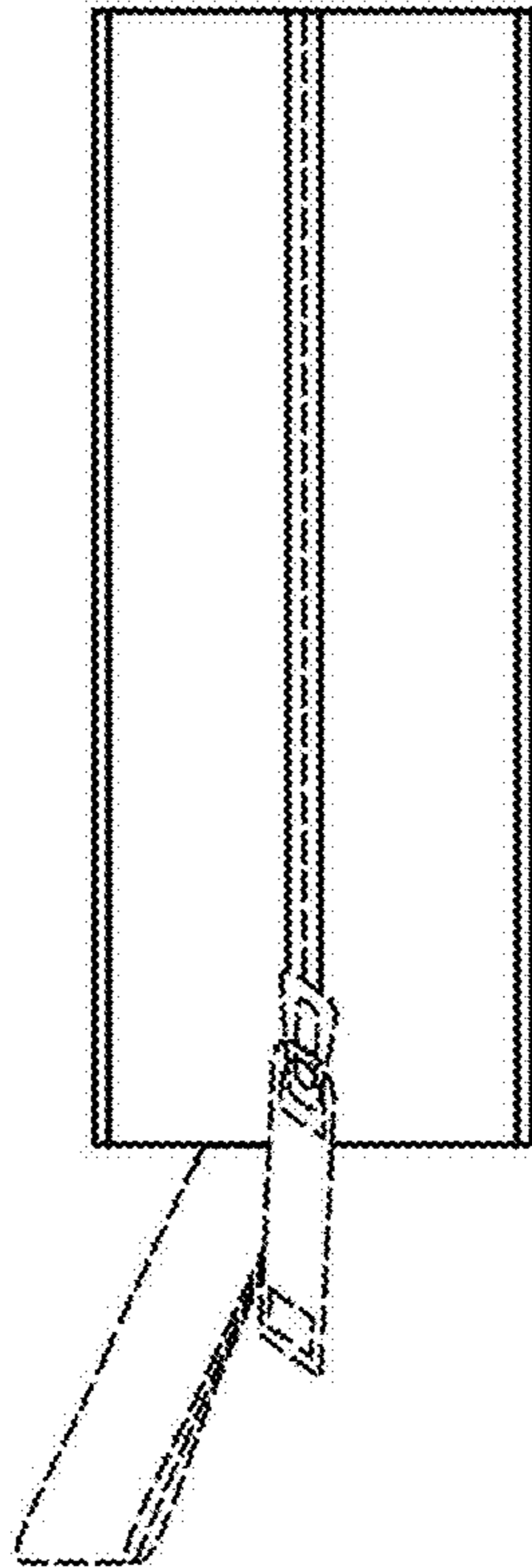


FIG. 3

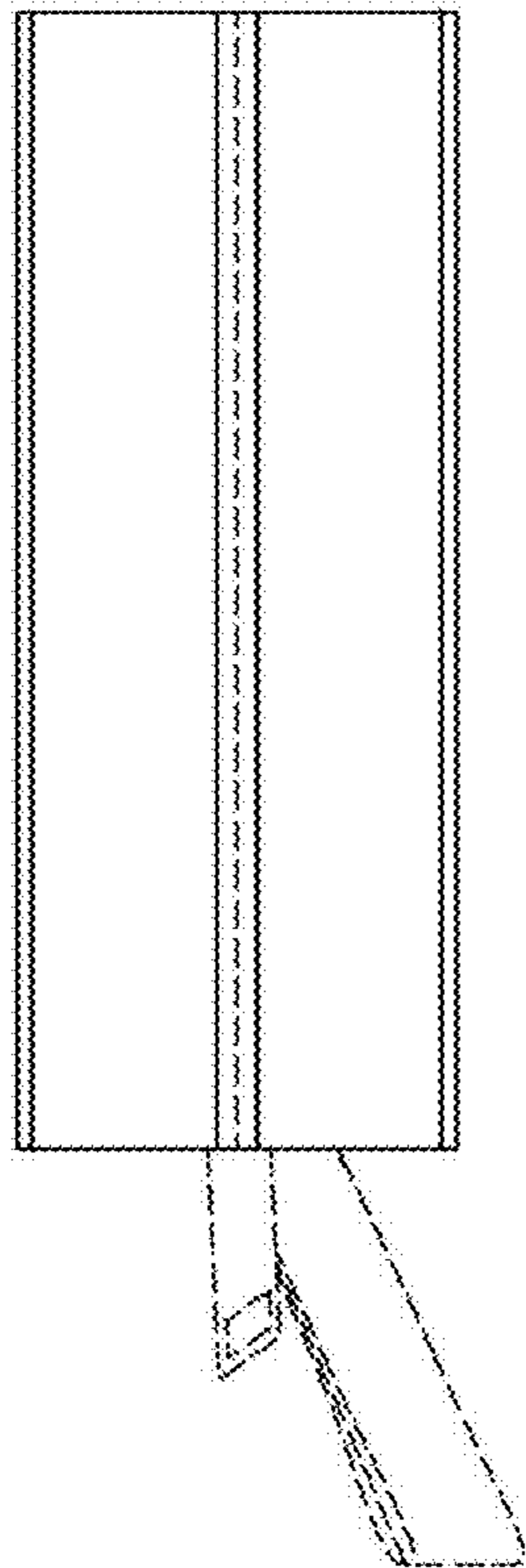


FIG. 4

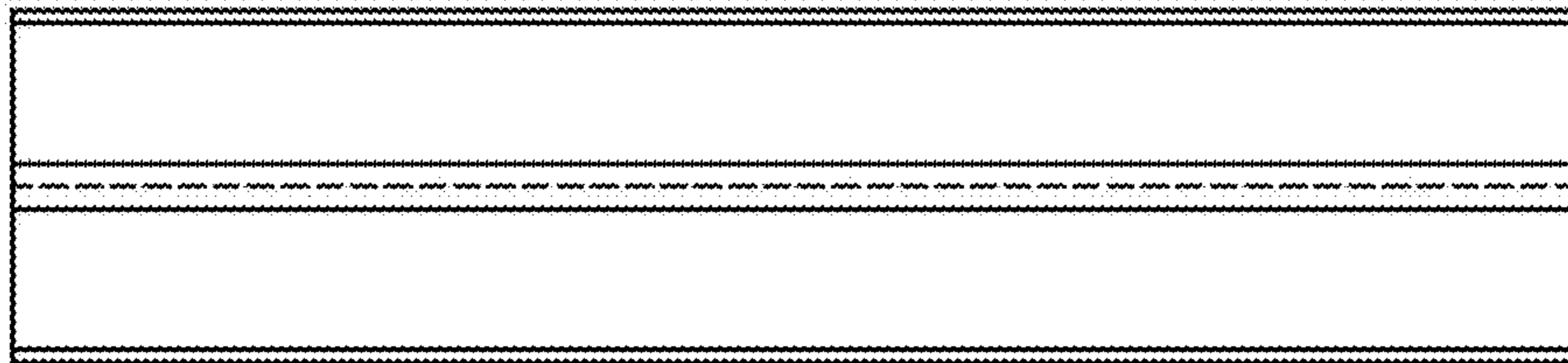


FIG. 5

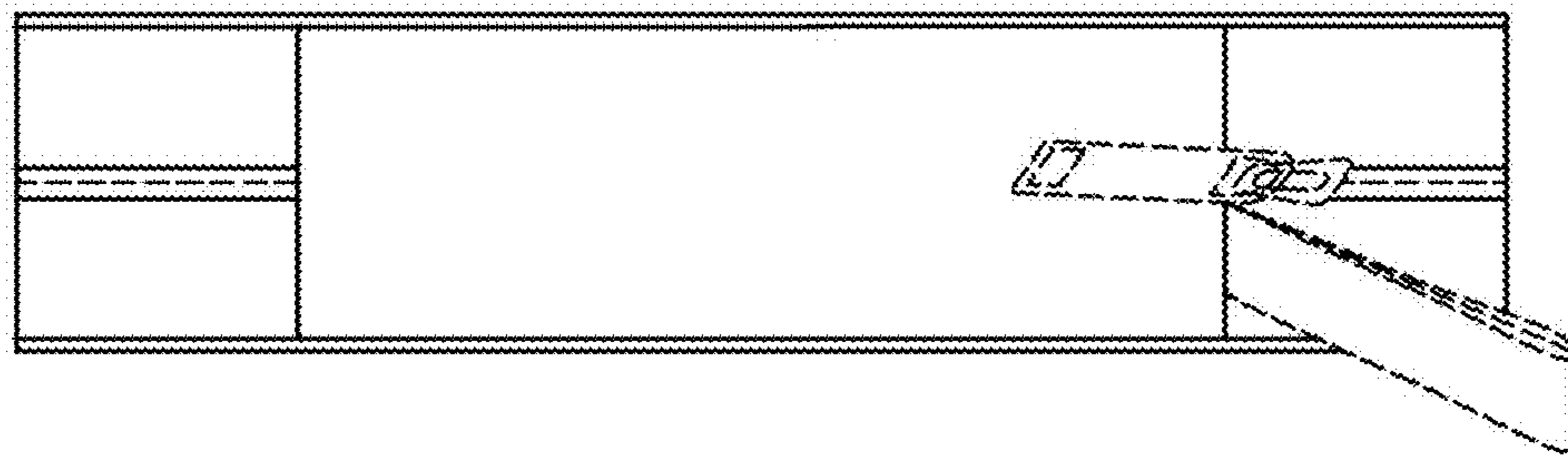


FIG. 6