



US00D878034S

(12) **United States Design Patent**
Zieman et al.

(10) **Patent No.:** **US D878,034 S**
(45) **Date of Patent:** **** Mar. 17, 2020**

- (54) **MAGNETIC NEEDLE HOLDER**
- (71) Applicant: **CLOVER MFG. CO., LTD.**,
Osaka-shi, Osaka (JP)
- (72) Inventors: **Nancy L. Zieman**, Beaver Dam, WI
(US); **Yuji Kawasaki**, Osaka (JP)
- (73) Assignee: **CLOVER MFG. CO., LTD.**, Osaka
(JP)
- (**) Term: **15 Years**
- (21) Appl. No.: **29/618,686**
- (22) Filed: **Sep. 22, 2017**
- (51) **LOC (12) Cl.** **03-01**
- (52) **U.S. Cl.**
USPC **D3/21**
- (58) **Field of Classification Search**
USPC D3/18, 20, 21, 22, 27, 203.1, 270, 271.1;
D9/629, 414; D28/79
CPC B65D 85/24; B65D 81/365; B65D
2583/0463; D05D 2207/05; D05B 55/00;
D05B 91/00; D05B 91/12; D05B 91/14
See application file for complete search history.

(56) **References Cited**

U.S. PATENT DOCUMENTS

- D143,554 S * 1/1946 Schick et al. D28/79
- D177,365 S * 4/1956 Cuthbertson et al. D28/79
- D210,689 S * 4/1968 Rhoades et al. D10/92
- D266,934 S * 11/1982 King D19/75
- D275,080 S * 8/1984 Sun D11/103

(Continued)

Primary Examiner — Steven J Czyz

(74) *Attorney, Agent, or Firm* — Hamre, Schumann,
Mueller & Larson, P.C.

(57) **CLAIM**

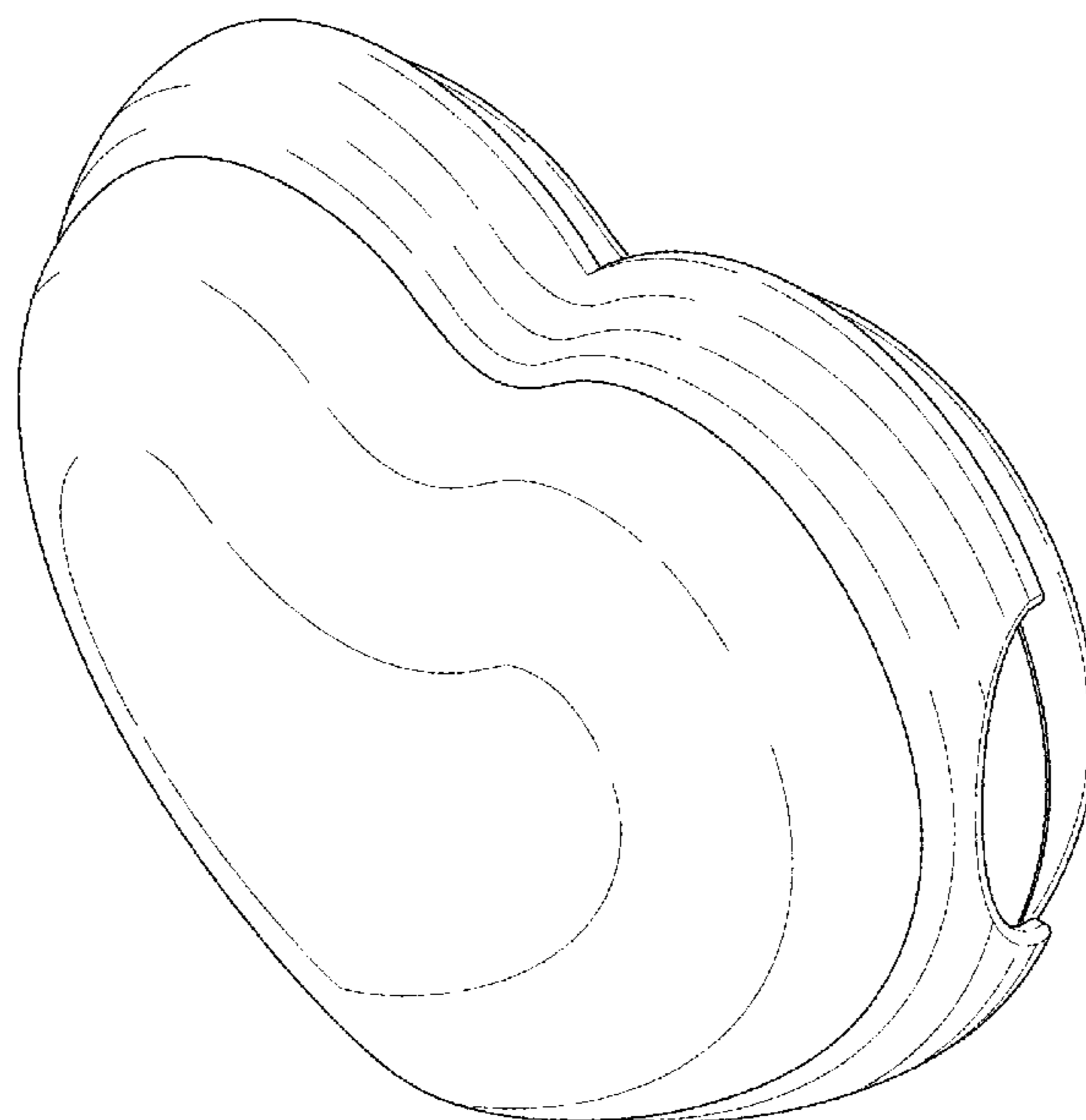
The ornamental design for a magnetic needle holder, as shown and described.

DESCRIPTION

FIG. 1 is a perspective view of a magnetic needle holder shown with the cap attached;
 FIG. 2 is a front elevation view thereof;
 FIG. 3 is a rear elevation view thereof;
 FIG. 4 is a top plan view thereof;
 FIG. 5 is a bottom plan view thereof;
 FIG. 6 is a left side elevation view thereof;
 FIG. 7 is a right side elevation view thereof;
 FIG. 8 is a cross-sectional view taken along the lines 8-8 in FIG. 2;
 FIG. 9 is a cross-sectional view taken along the lines 9-9 in FIG. 2;
 FIG. 10 is a perspective view of the magnetic needle holder shown with the cap removed;
 FIG. 11 is a front elevation view thereof;
 FIG. 12 is a rear elevation view thereof;
 FIG. 13 is a top plan view thereof;
 FIG. 14 is a bottom plan view thereof;
 FIG. 15 is a left side elevation view thereof;
 FIG. 16 is a right side elevation view thereof;
 FIG. 17 is a cross-sectional view taken along the lines 17-17 in FIG. 11; and,
 FIG. 18 is a cross-sectional view taken along the lines 18-18 in FIG. 11.

The magnetic needle holder is usable as an alternative for a pincushion. In use, the cap appearing in the front view of FIG. 1 is removed, and the holder body accommodating a permanent magnet is placed on a horizontal support in a manner such that the front surface seen in FIG. 11 is oriented upward as a pin or needle holding upper surface. Pins or needles are placed on the upper surface of the holder body across a groove formed centrally therein and magnetically held by the magnet inside the holder body. The broken lines showing the inside configuration of the holder body in FIGS. 8, 9, 17 and 18 depict portions that form no part of the claimed design.

1 Claim, 16 Drawing Sheets



(56)

References Cited

U.S. PATENT DOCUMENTS

D276,214 S * 11/1984 Fry D28/77
 D282,380 S * 1/1986 King D19/75
 D296,871 S * 7/1988 Sato D9/629
 4,836,823 A * 6/1989 Laven A63H 33/00
 362/806
 D322,515 S * 12/1991 Her D3/221
 D363,303 S * 10/1995 Winston D18/18
 D370,165 S * 5/1996 Willette D8/305
 D433,797 S * 11/2000 Weinstock D3/215
 D460,687 S * 7/2002 Weinstock D9/629
 D461,619 S * 8/2002 Garson D1/112
 D476,865 S * 7/2003 Zudal D21/386
 6,758,338 B2 * 7/2004 Lien B65D 25/10
 206/534
 D496,454 S * 9/2004 Beck D24/102
 D498,668 S * 11/2004 Counts D9/624
 D500,202 S * 12/2004 Nova A61N 1/3968
 D3/203.1
 D508,166 S * 8/2005 Liu D3/271.1
 D509,637 S * 9/2005 Wozniak D99/5
 D515,267 S * 2/2006 Wozniak D99/5
 D526,571 S * 8/2006 Terrasi D7/539

D528,036 S * 9/2006 Pang D11/103
 D529,746 S * 10/2006 Soleymani D6/601
 D538,175 S * 3/2007 Davies D9/418
 D539,179 S * 3/2007 Oas D10/70
 D540,691 S * 4/2007 Davies D9/417
 D551,978 S * 10/2007 Daniels D9/456
 D556,631 S * 12/2007 Smyth D11/211
 D558,762 S * 1/2008 Heath D14/480.2
 D588,057 S * 3/2009 Soler My D13/100
 D611,441 S * 3/2010 Johansson D14/138 AB
 7,813,116 B2 * 10/2010 Hsu H04R 1/028
 219/438
 D648,504 S * 11/2011 Khan D99/5
 D663,365 S * 7/2012 Vinther D21/350
 D670,763 S * 11/2012 Kugimiya D19/69
 D676,836 S * 2/2013 Wossner D14/240
 D678,002 S * 3/2013 Facey D7/675
 D731,738 S * 6/2015 Jackson D99/3
 D741,722 S * 10/2015 Oaknin D9/629
 D772,423 S * 11/2016 de Oliveira D24/215
 D805,134 S * 12/2017 Tsai D21/385
 D809,145 S * 1/2018 Wigal D24/180
 D817,588 S * 5/2018 Fraser D99/5
 10,273,616 B1 * 4/2019 Kawasaki D05B 91/14

* cited by examiner

Fig. 1

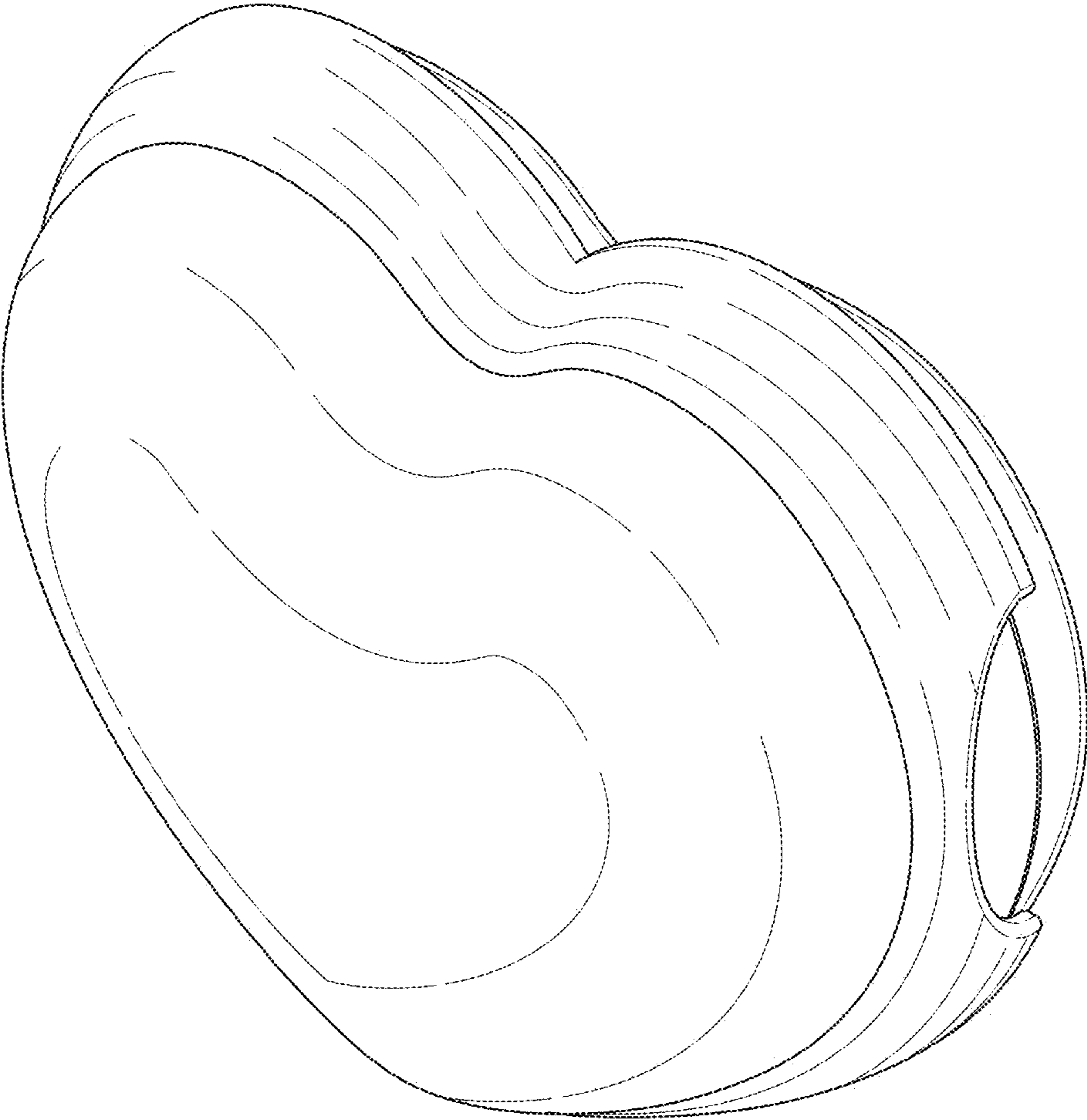


Fig. 2

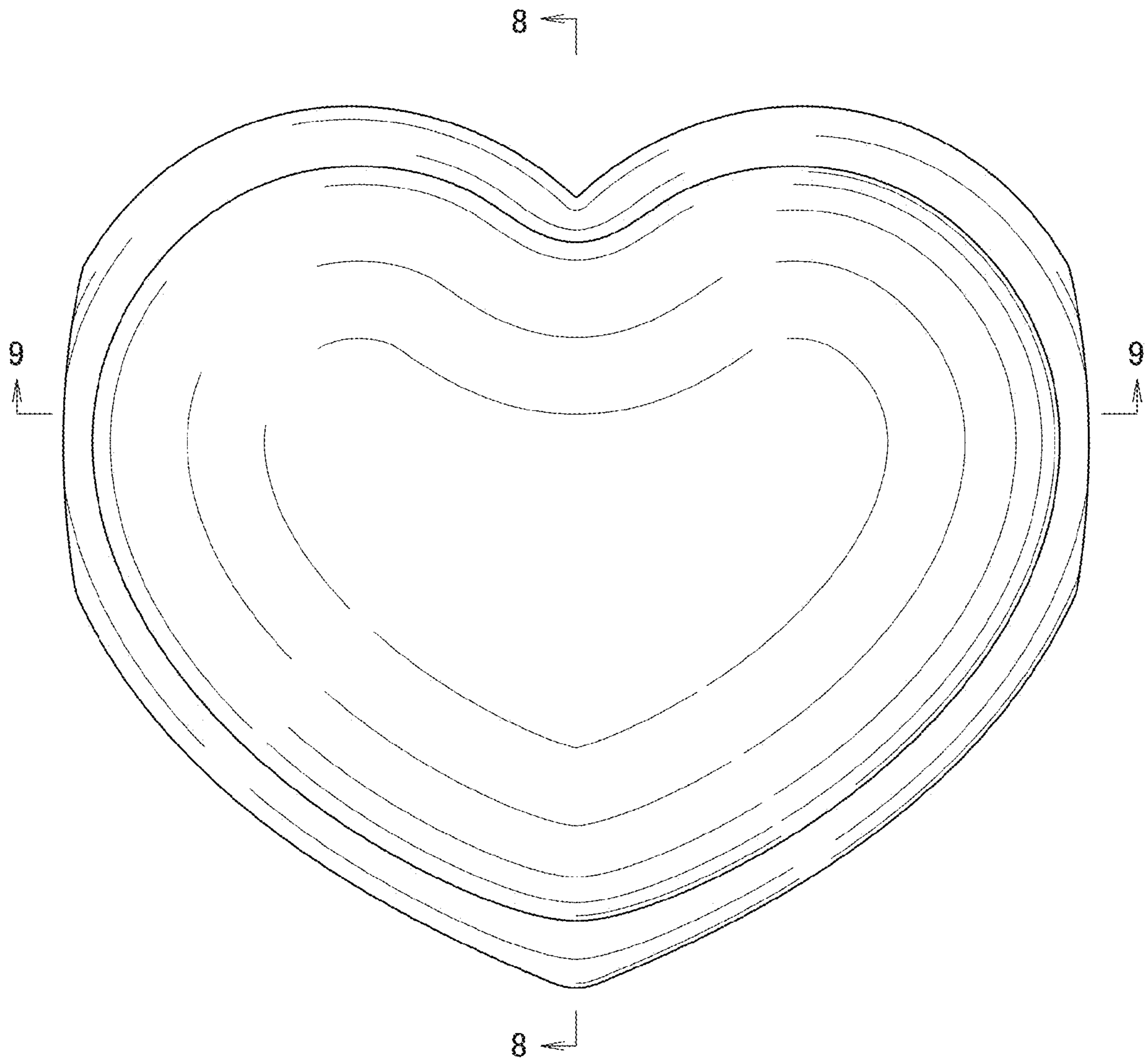


Fig. 3

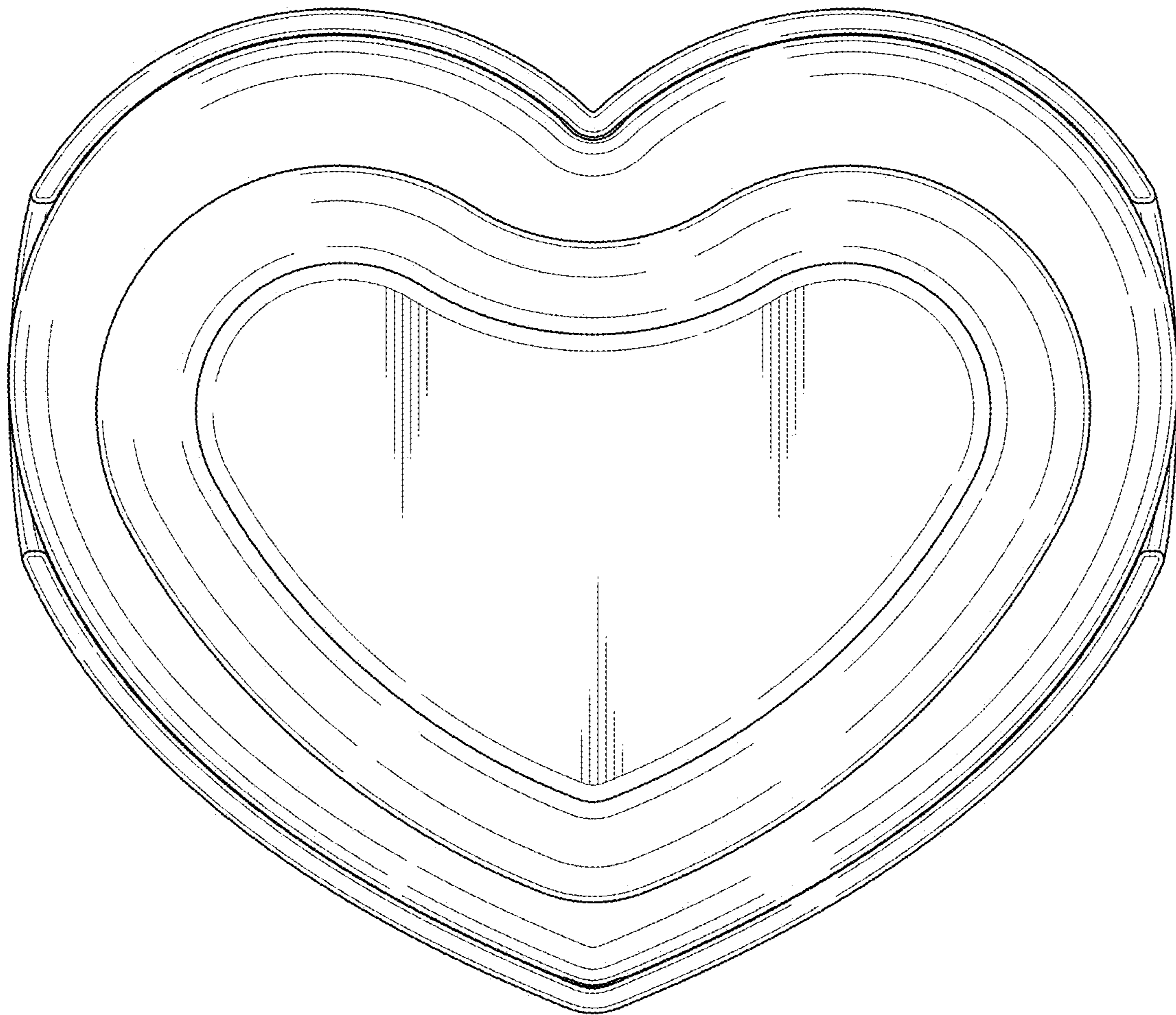


Fig. 4

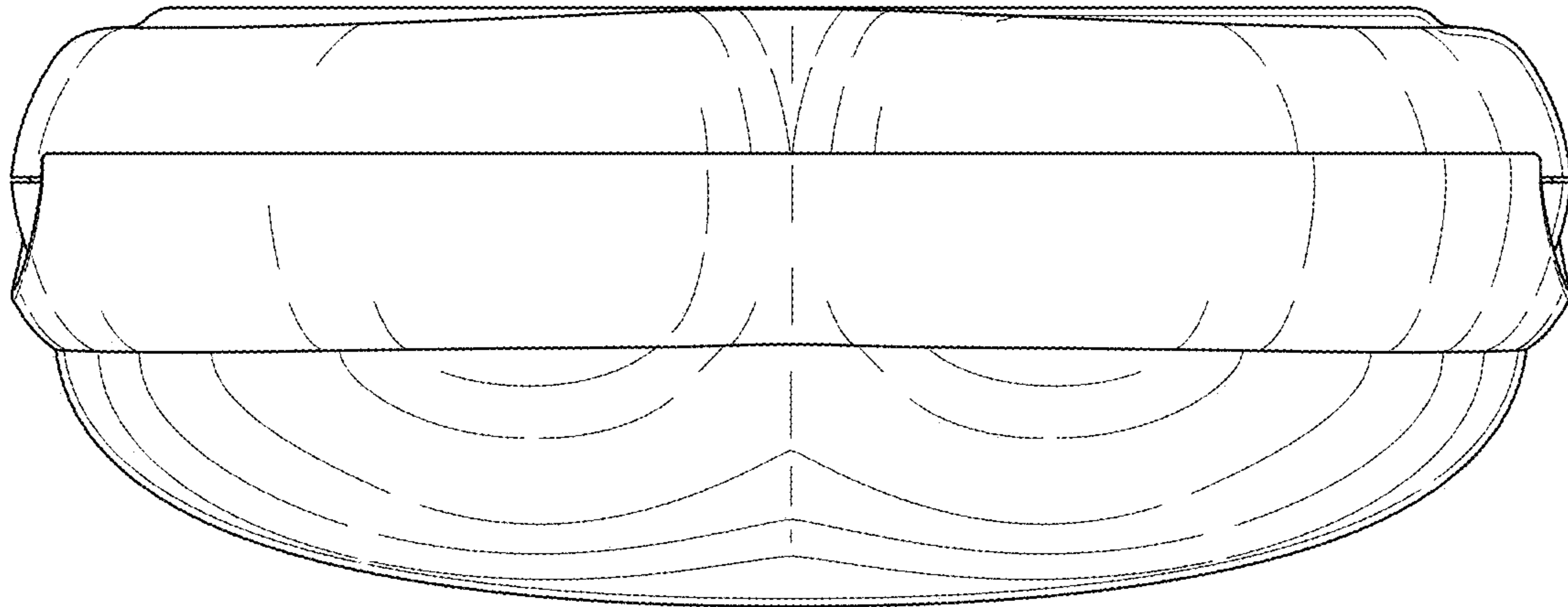


Fig. 5

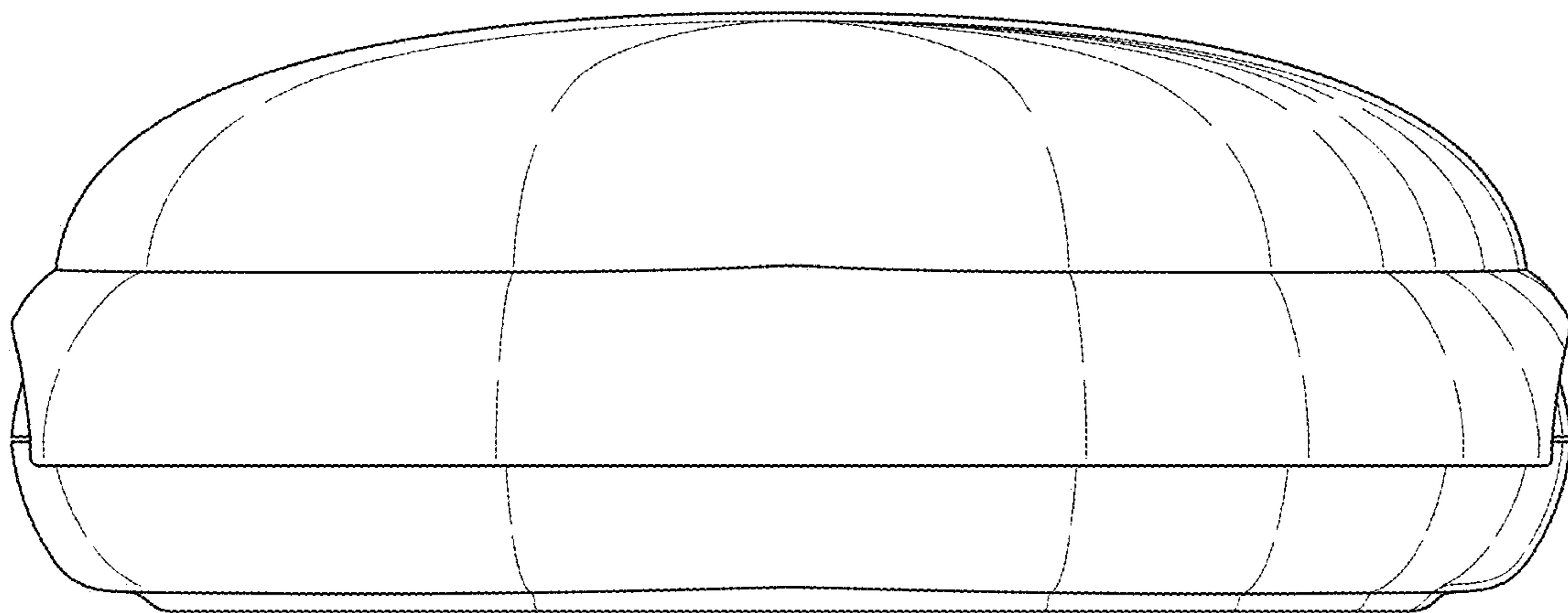


Fig. 6

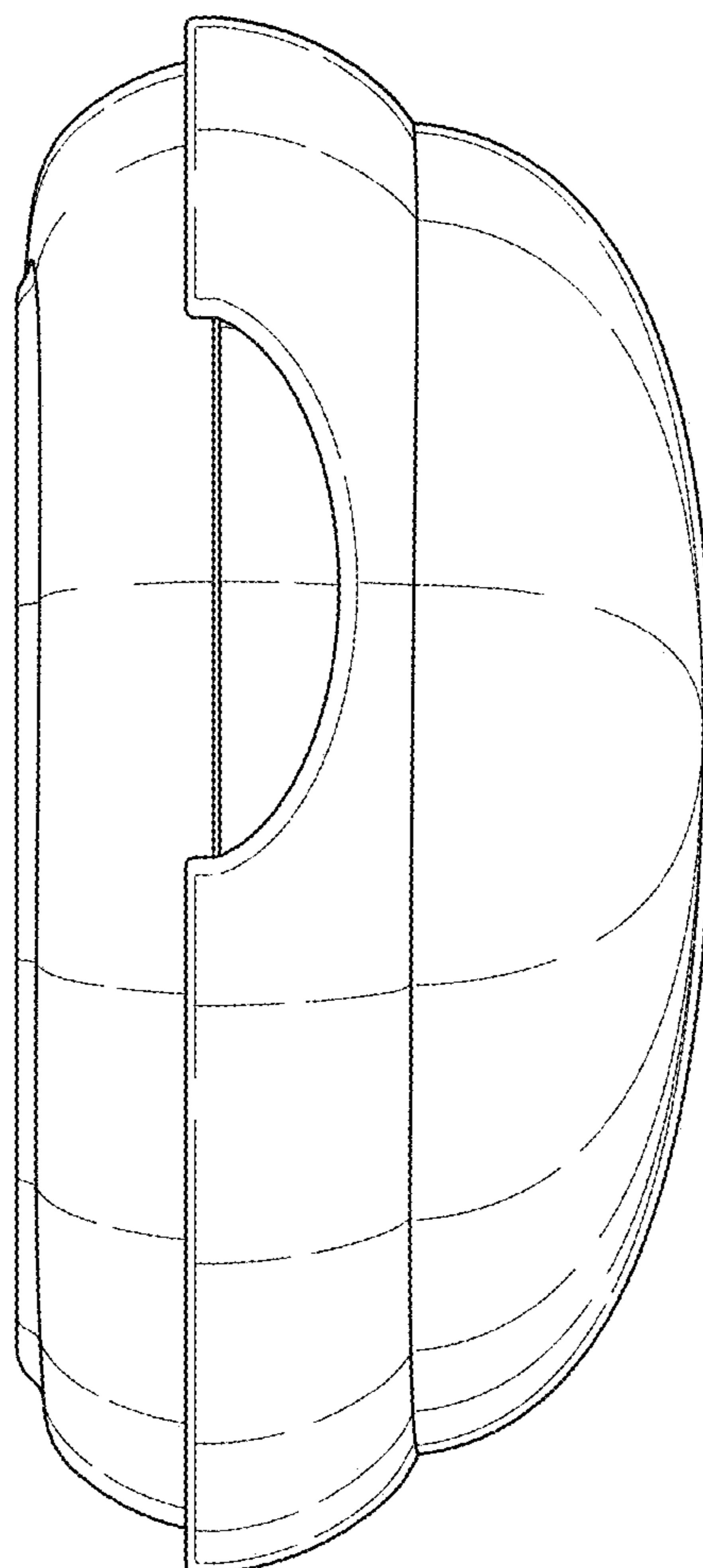


Fig. 7

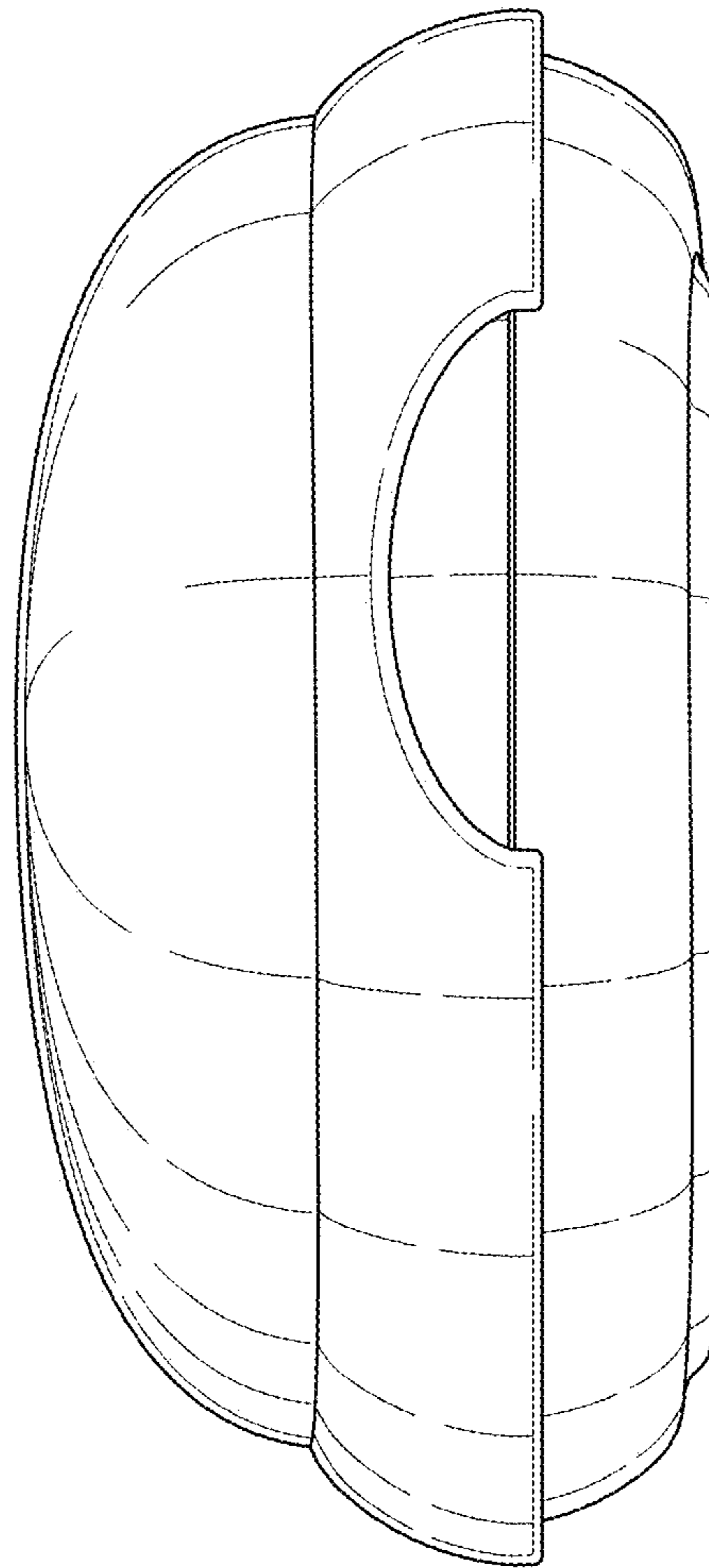


Fig. 8

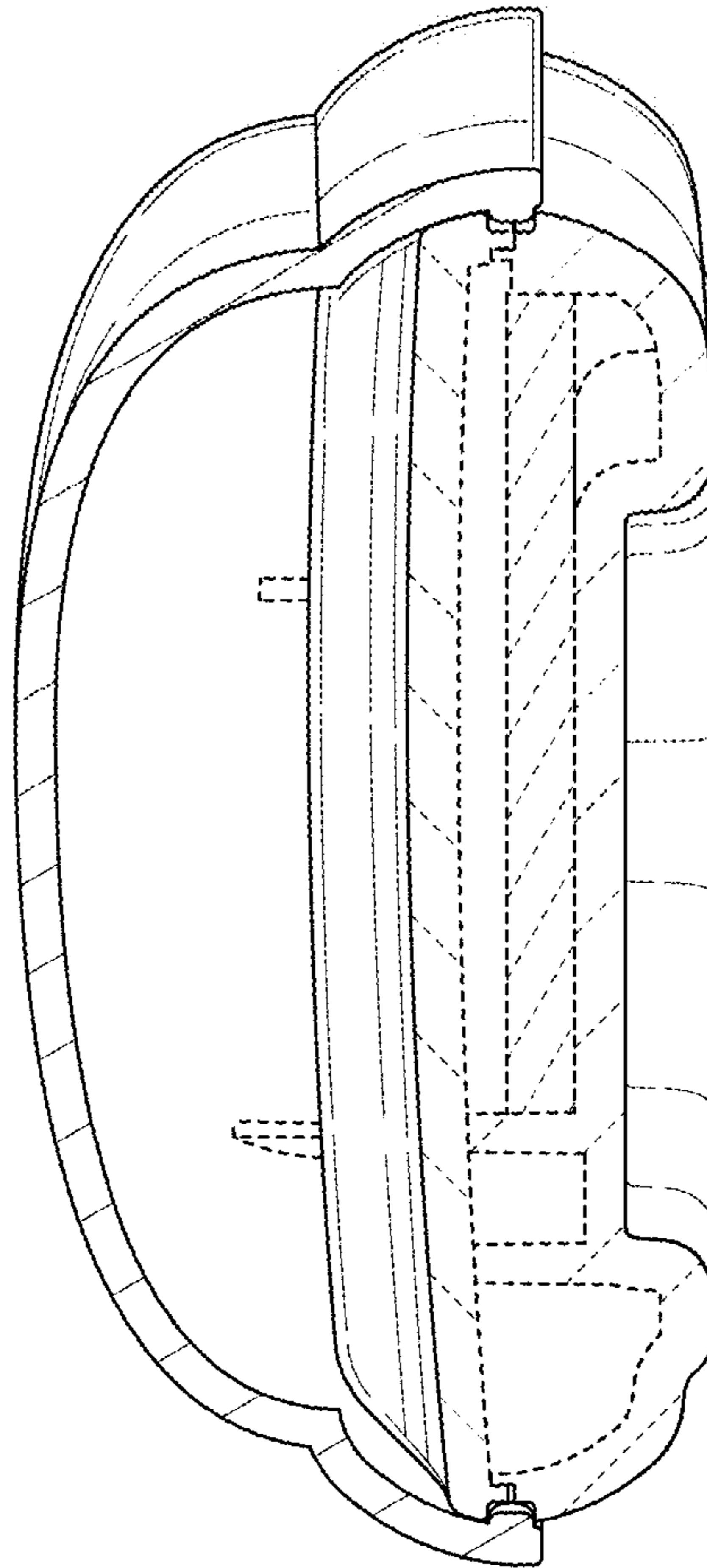


Fig. 9

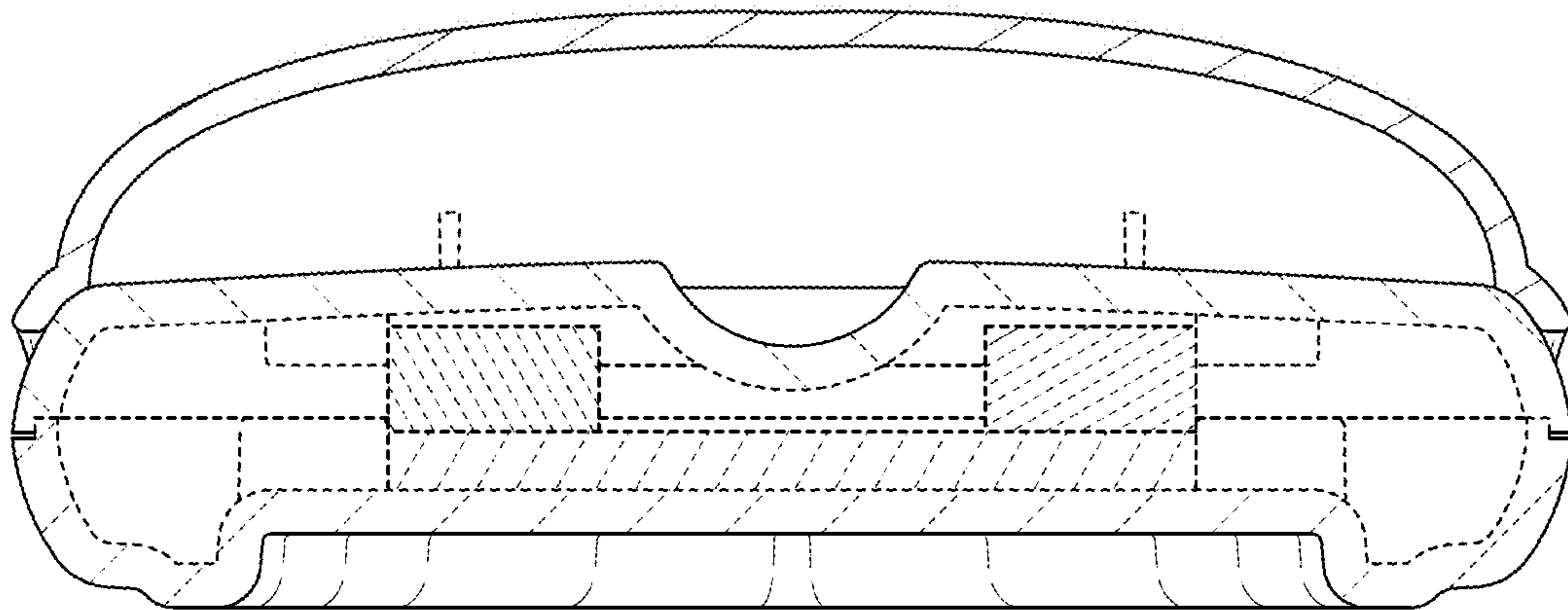


Fig. 10

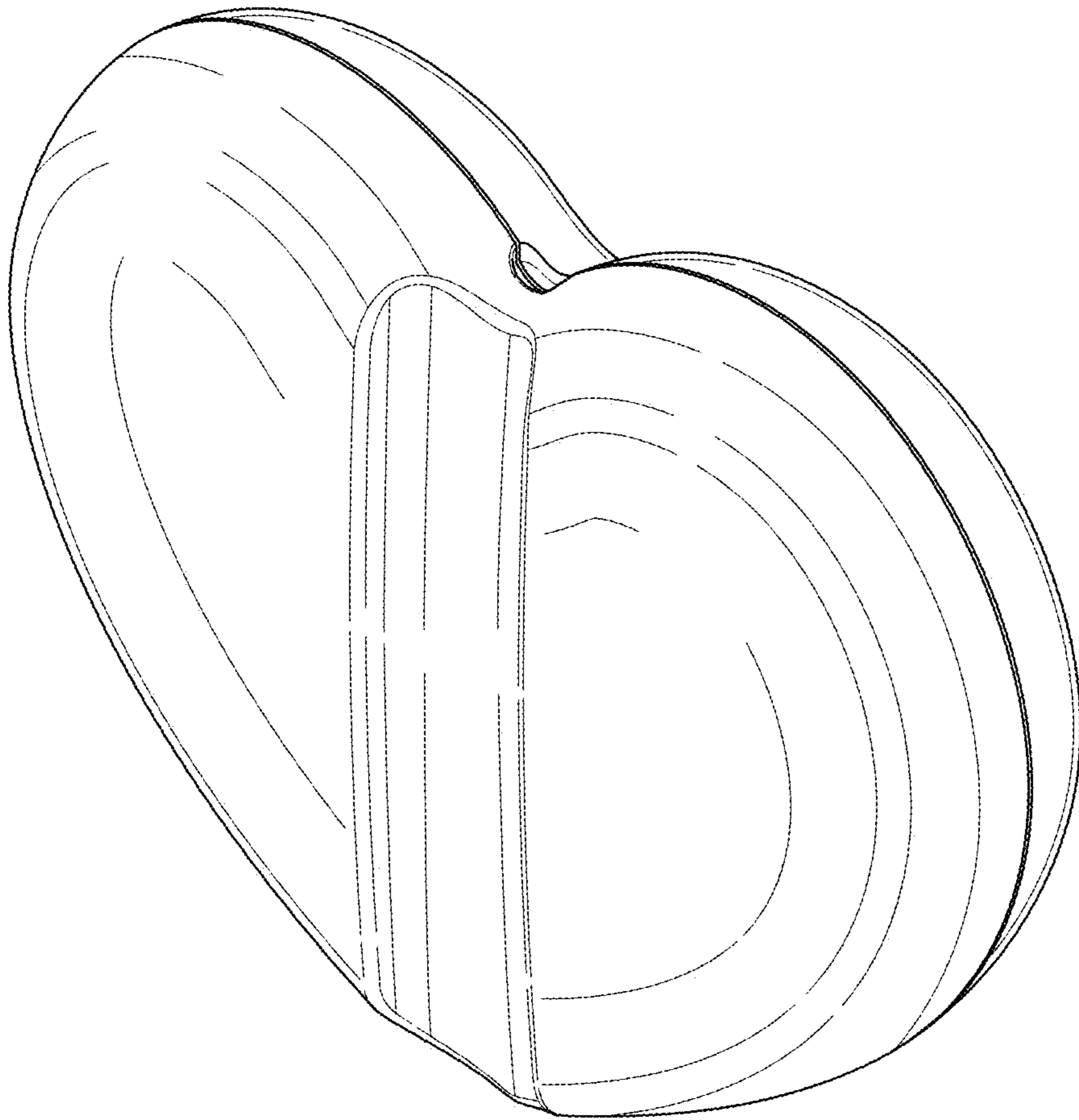


Fig. 11

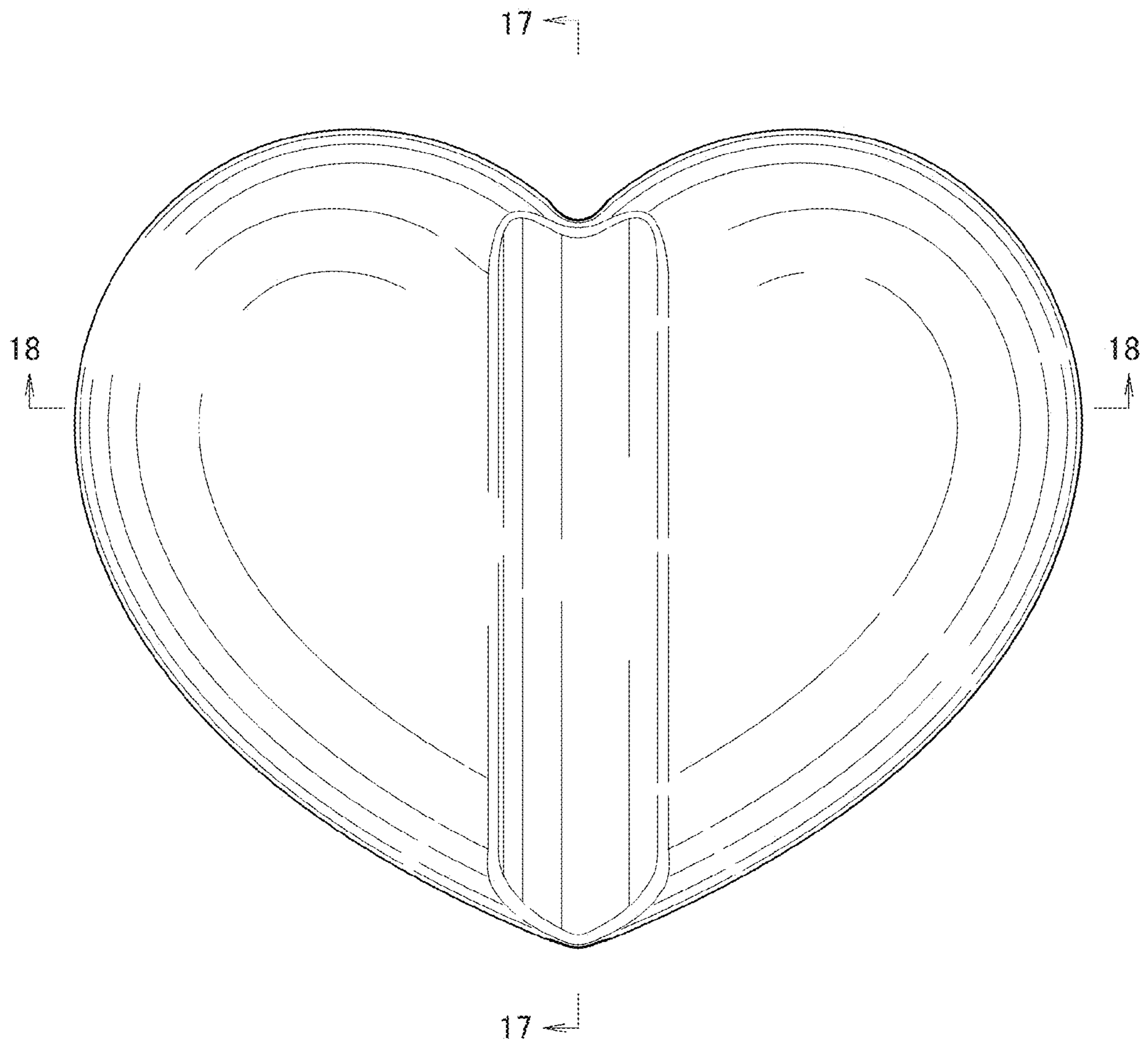


Fig. 12

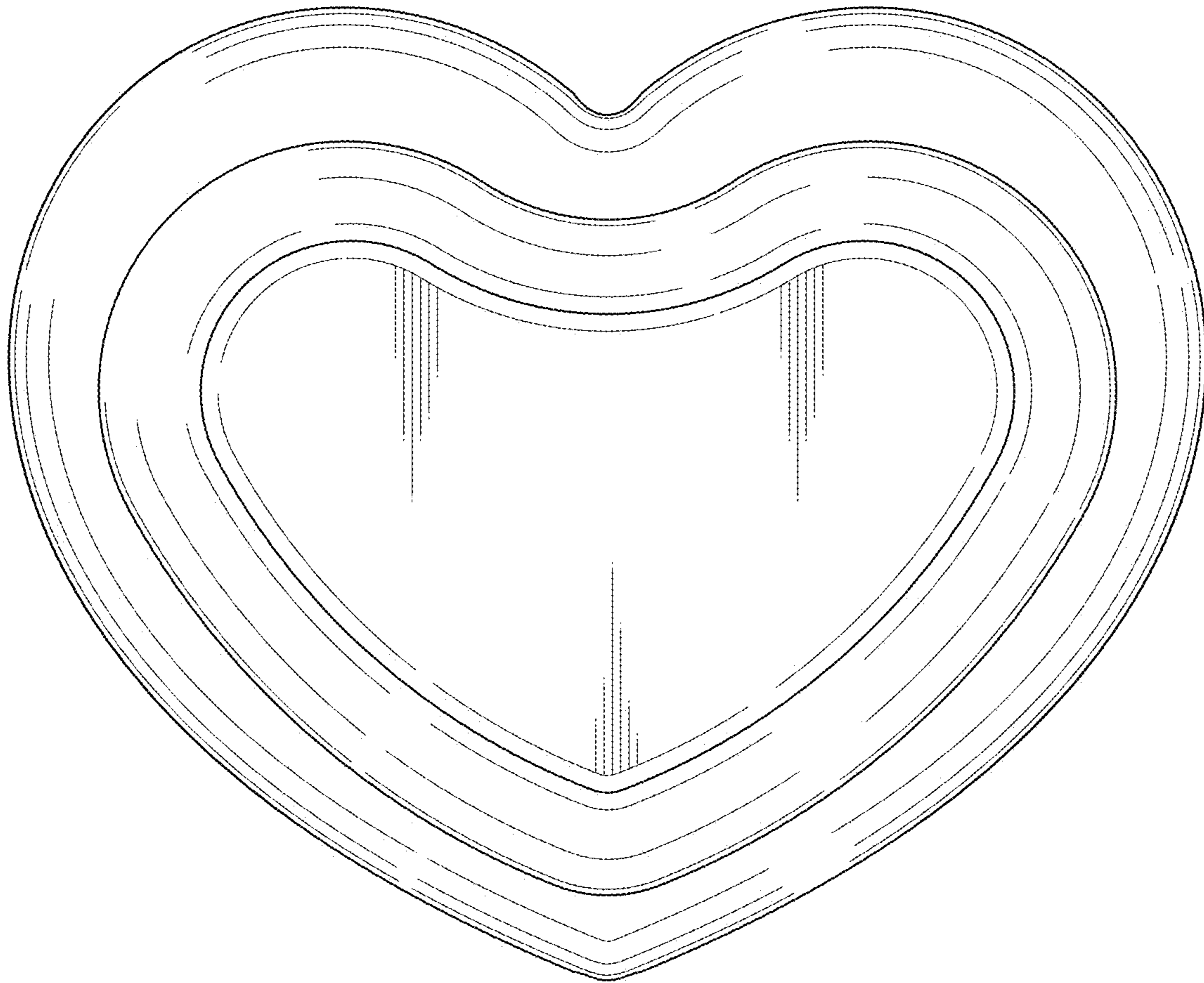


Fig. 13

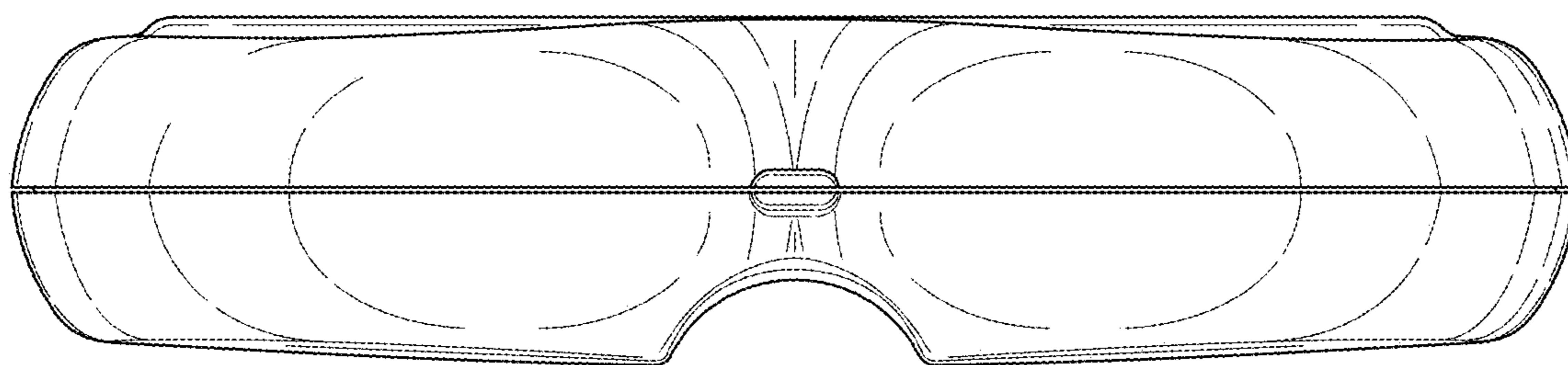


Fig. 14

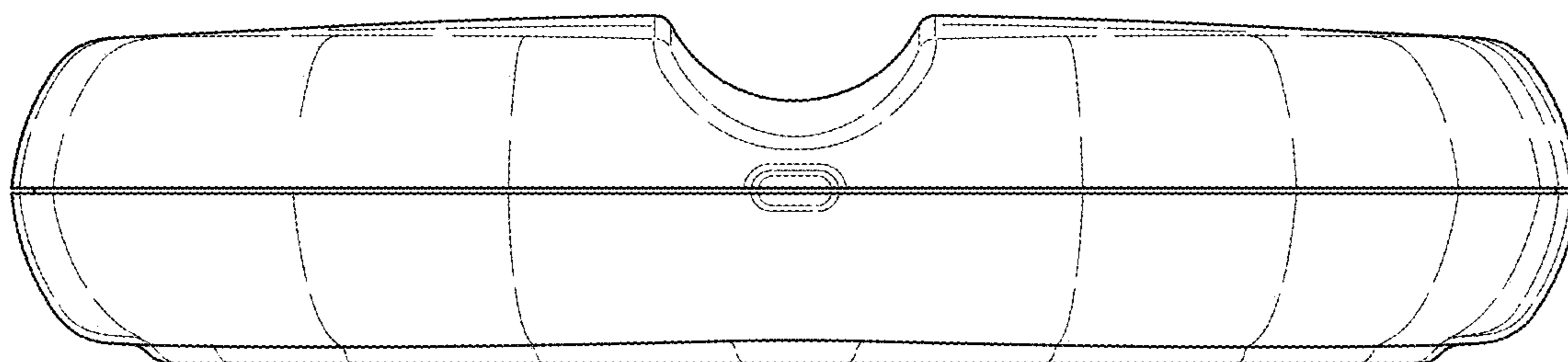


Fig. 15

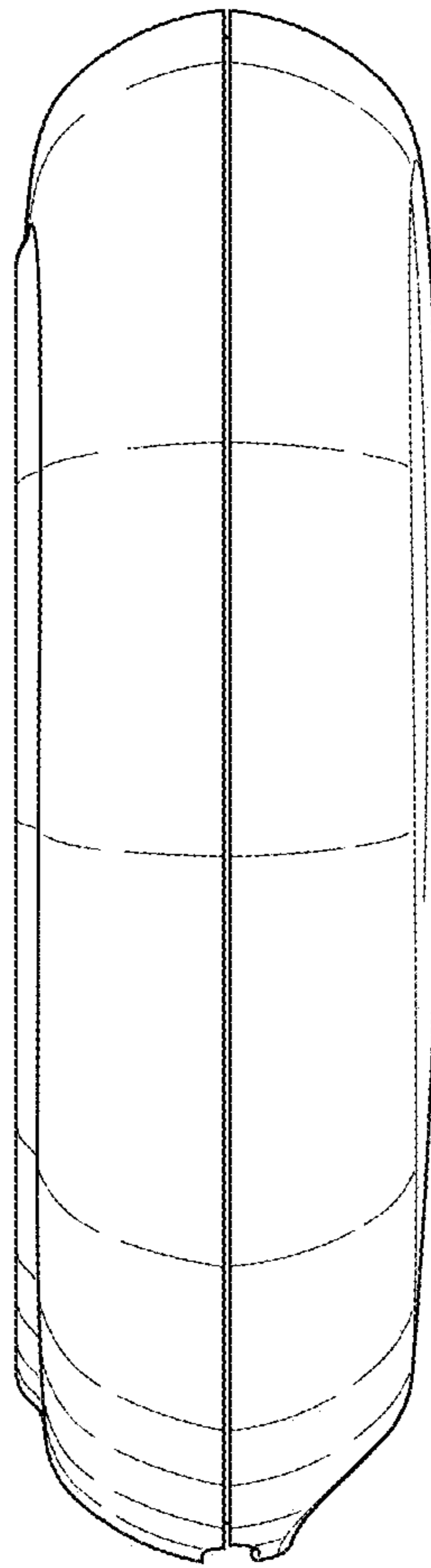


Fig. 16

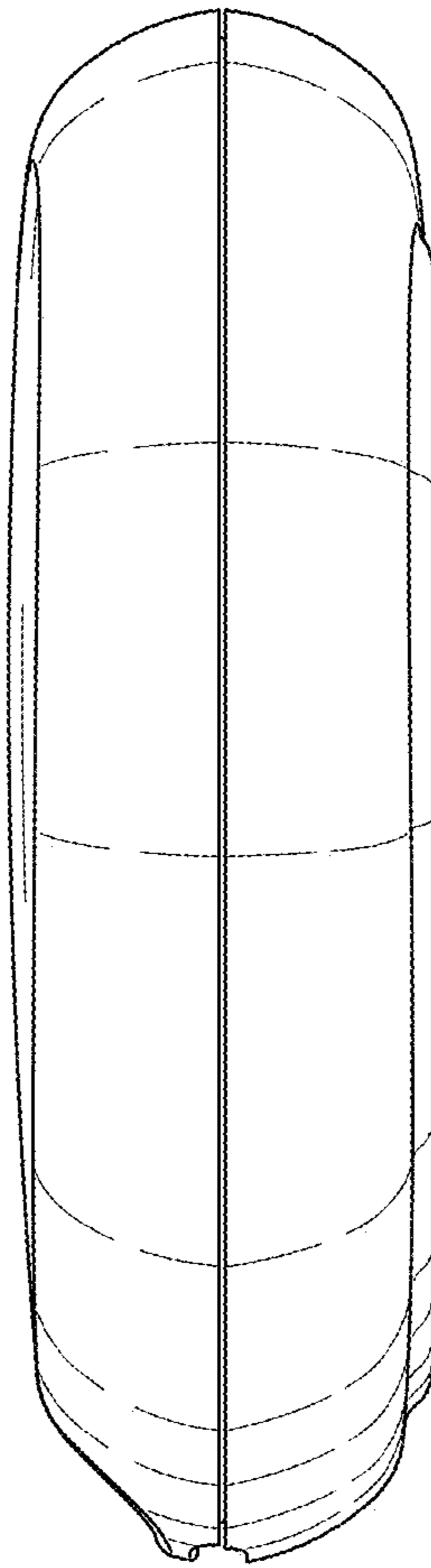


Fig. 17

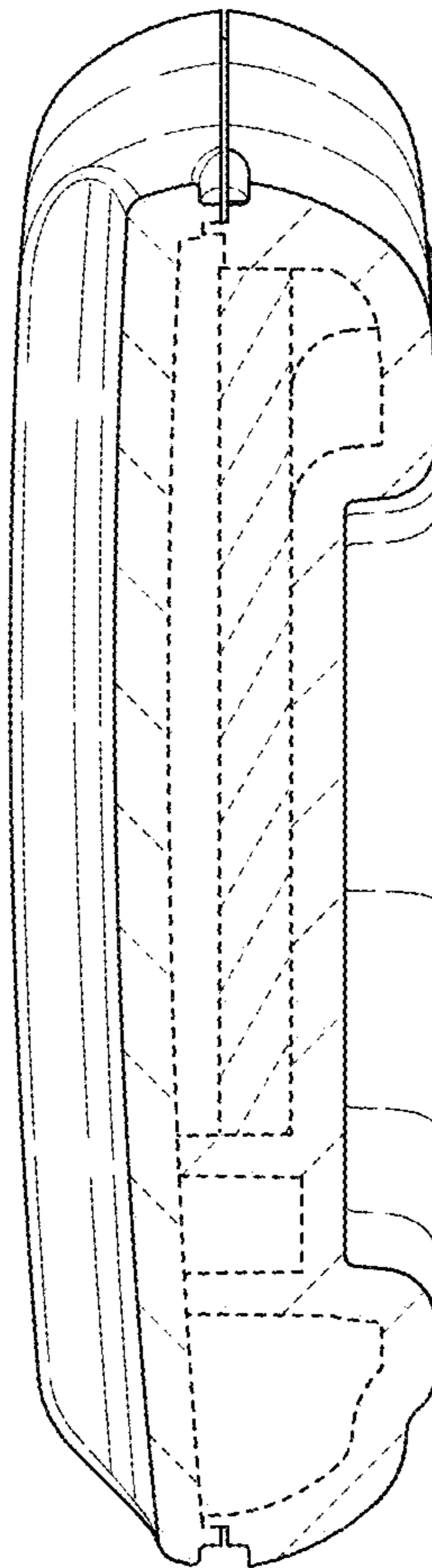


Fig. 18

