



US00D878029S

(12) **United States Design Patent**
Young

(10) **Patent No.:** **US D878,029 S**
(45) **Date of Patent:** **** Mar. 17, 2020**

- (54) **SHOE**
- (71) Applicant: **NIKE, Inc.**, Beaverton, OR (US)
- (72) Inventor: **William D. Young**, Beaverton, OR (US)
- (73) Assignee: **NIKE, Inc.**, Beaverton, OR (US)
- (**) Term: **15 Years**
- (21) Appl. No.: **29/637,609**
- (22) Filed: **Feb. 20, 2018**
- (51) **LOC (12) Cl.** **02-99**
- (52) **U.S. Cl.**
USPC **D2/972**
- (58) **Field of Classification Search**
USPC D2/896, 902, 904, 906-908, 946, 969,
D2/972-974; D5/47, 49, 50, 53, 54, 56,
D5/60
CPC ... A43B 13/181; A43B 13/141; A43B 13/186;
A43B 13/188; A43B 23/00; A43B 23/02;
A43B 5/00; A43B 23/26; A43B 1/04;
A43B 11/14; A43B 7/00; A43B 3/12;
A43C 3/00; A43C 5/00; A43C 7/00;
A43C 11/004
See application file for complete search history.

gdH2X1QvCk5Ohhzz6GBOAHaHa&mediaurl=http%3a%2f%2fi.ebayimg.com%2f00%2fs%2fNTAwWDUwMA%3D%3D%2fz%2fLBYAAMXQVT9S-rWV%2f%24_3.JPG%3fset_ID%3D2&expw=500&expw+500&q=cheerleading+shoes&simid+608009982149657892&select edindex=318ajaxhist=0 (Year: 2019).*

Omni Cheerleading Shoe S149LG, omnicheer.com, accessed Feb. 9, 2018 <https://products.omnicheer.com/S149LG>.

Omni Cheerleading Shoe S1702LG, omnicheer.com, accessed Feb. 9, 2018 <https://products.omnicheer.com/S1702LG.jpg>.

Omni Cheerleading Shoe S1701LG, omnicheer.com, accessed Feb. 9, 2018 <https://products.omnicheer.com/S1701LG.jpg>.

Nfinity Women's Evolution Cheerleading Shoes, academy.com, accessed Feb. 9, 2018 https://www.bing.com/images/search?view=detailV2&ccid=WbXbn8nO&id=9BB4B49341E2E2E258BA05280F2180673FC58D4C&thid=OIP.WbXbn8nOL0gp-q_NvUQcegHaHa&mediaurl=http%3a%2f%2fassets.academy.com%2fmgen%2f16%2f10154816.jpg&expw=500&expw=500&q=cheerleading+shoes&simid=608024769713668346&selectedIndex=36.

Payless Cheer Shoes, Black Sandals.blogspot.com, Mar. 15, 2015 <http://blacksandalsa.blogspot.com/2015/03/payless-cheer-shoes.html>.

* cited by examiner

Primary Examiner — Dominic V Simone
(74) *Attorney, Agent, or Firm* — Shook, Hardy & Bacon L.L.P.

(56) **References Cited**

U.S. PATENT DOCUMENTS

D433,220 S	*	11/2000	Fogg	D2/972
D622,055 S	*	8/2010	Bosomworth	D2/972
D692,223 S	*	10/2013	Hui	D2/973
D711,639 S	*	8/2014	Fuhrer	D2/972
D717,530 S	*	11/2014	Leleu	D2/972
D725,893 S	*	4/2015	Grenet	D2/972
D732,268 S	*	6/2015	Grenet	D2/902
D789,671 S	*	6/2017	Chung	D2/972
D828,004 S	*	9/2018	Hui	D2/972
D835,392 S	*	12/2018	Durflinger	D2/972

OTHER PUBLICATIONS

<https://www.bing.com/images/search?view-detailV2&ccid=%2bgdH2X1Q&id=-5A37A45FC00w810E7EE8F1BFE4510FE58F4C77A&this-OIP->

(57) **CLAIM**

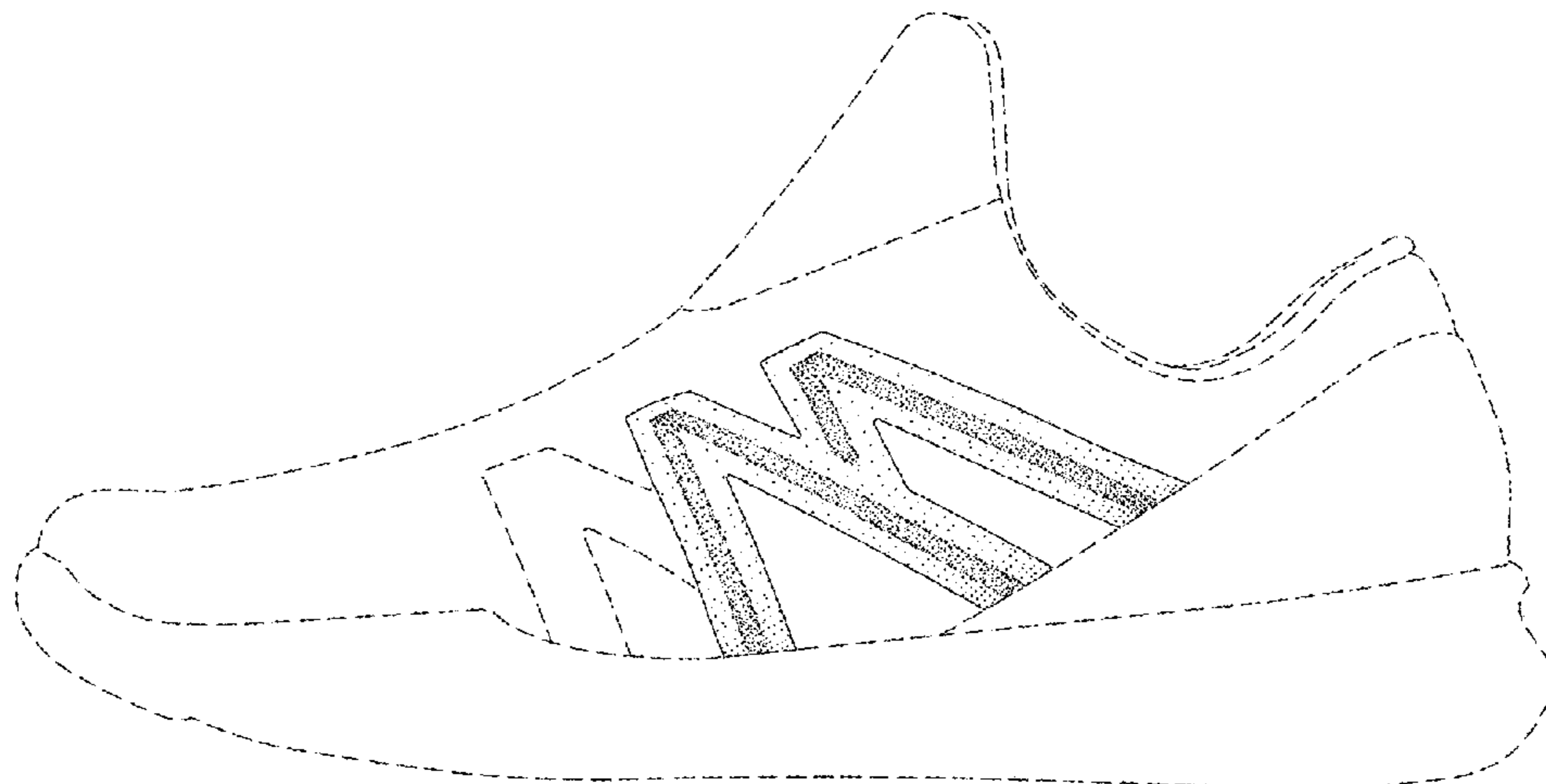
The ornamental design for a shoe, as shown and described.

DESCRIPTION

FIG. 1 is a front perspective view of a shoe showing my design;
 FIG. 2 is a side view thereof;
 FIG. 3 is a rear perspective view thereof; and,
 FIG. 4 is a top plan view thereof.

The even-length broken lines are directed to environment, represent unclaimed subject matter, and form no part of the claimed design. The long and short broken lines immediately adjacent to the shaded areas form an unclaimed bound-

(Continued)



ary around at least a portion of the claimed subject matter,
and form no part of the claim.

1 Claim, 4 Drawing Sheets

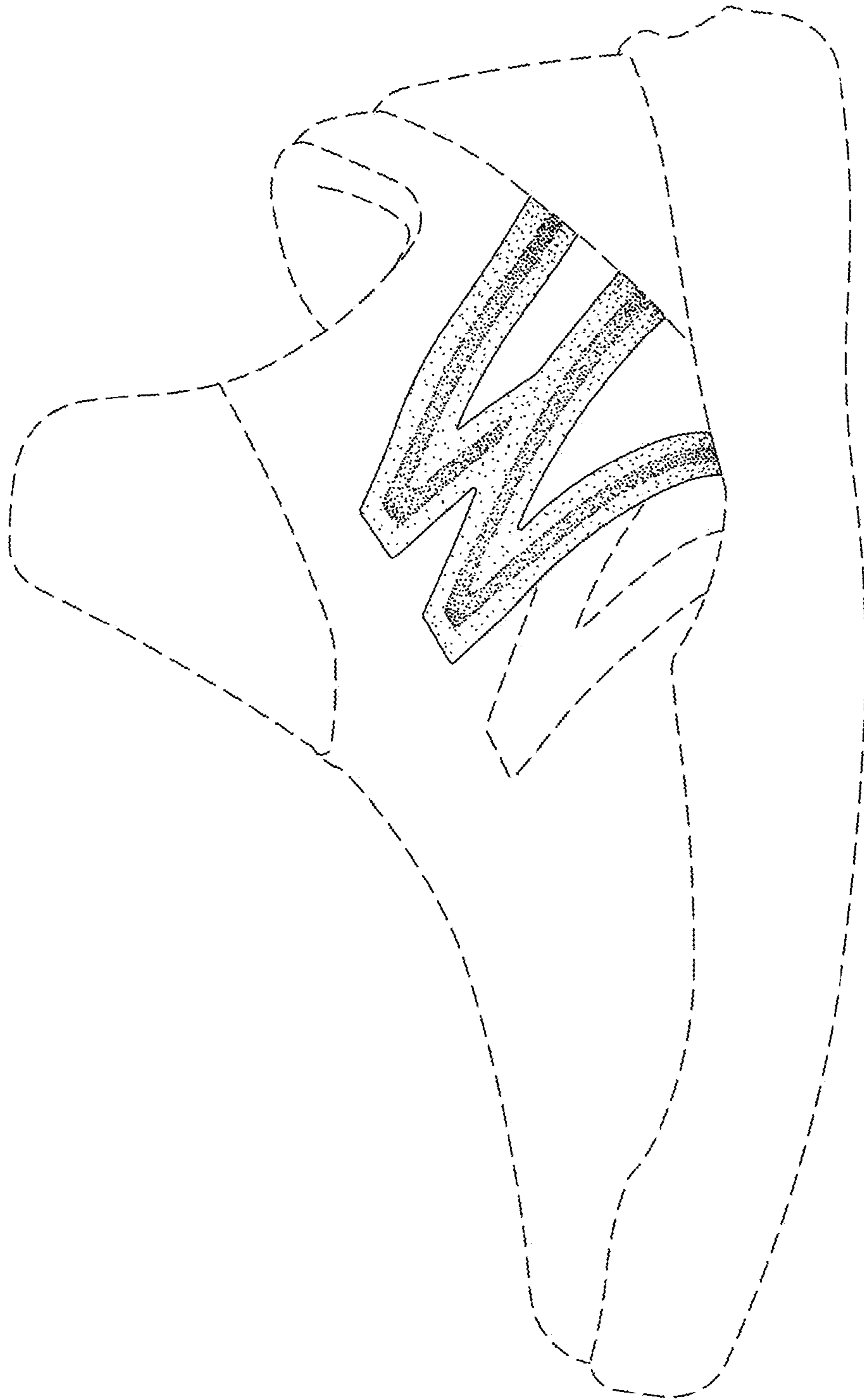


FIG. 1

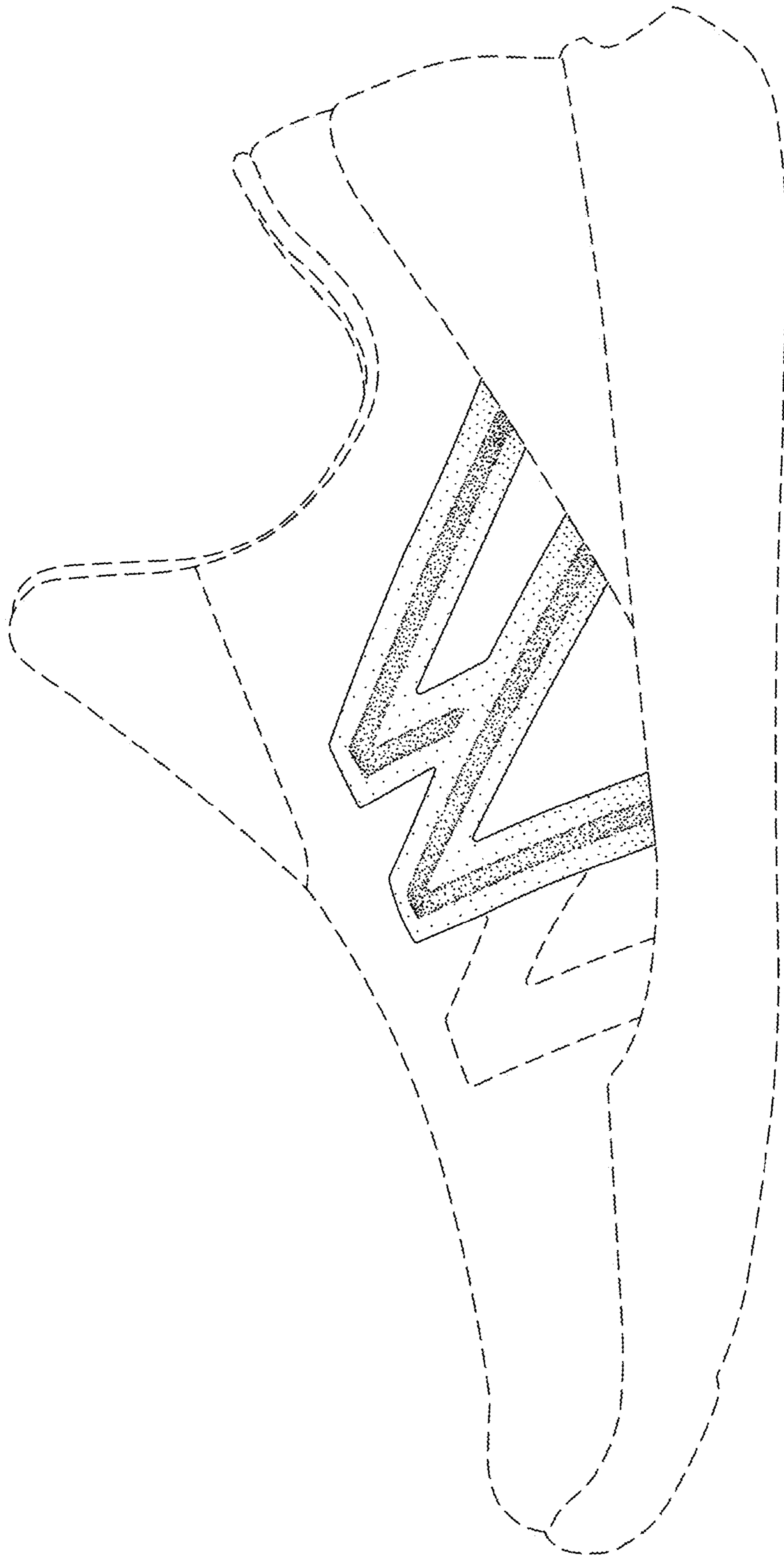


FIG. 2

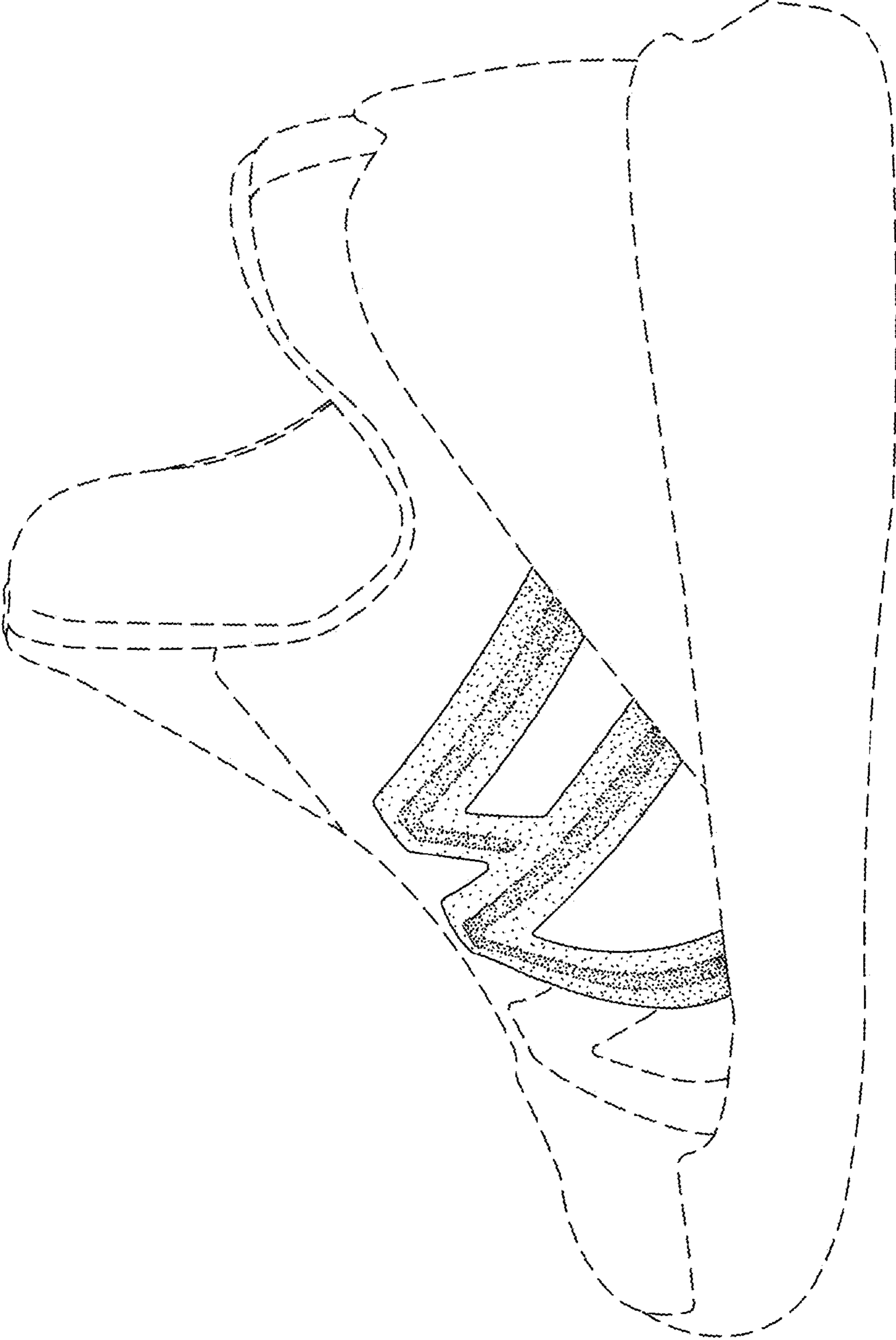


FIG. 3

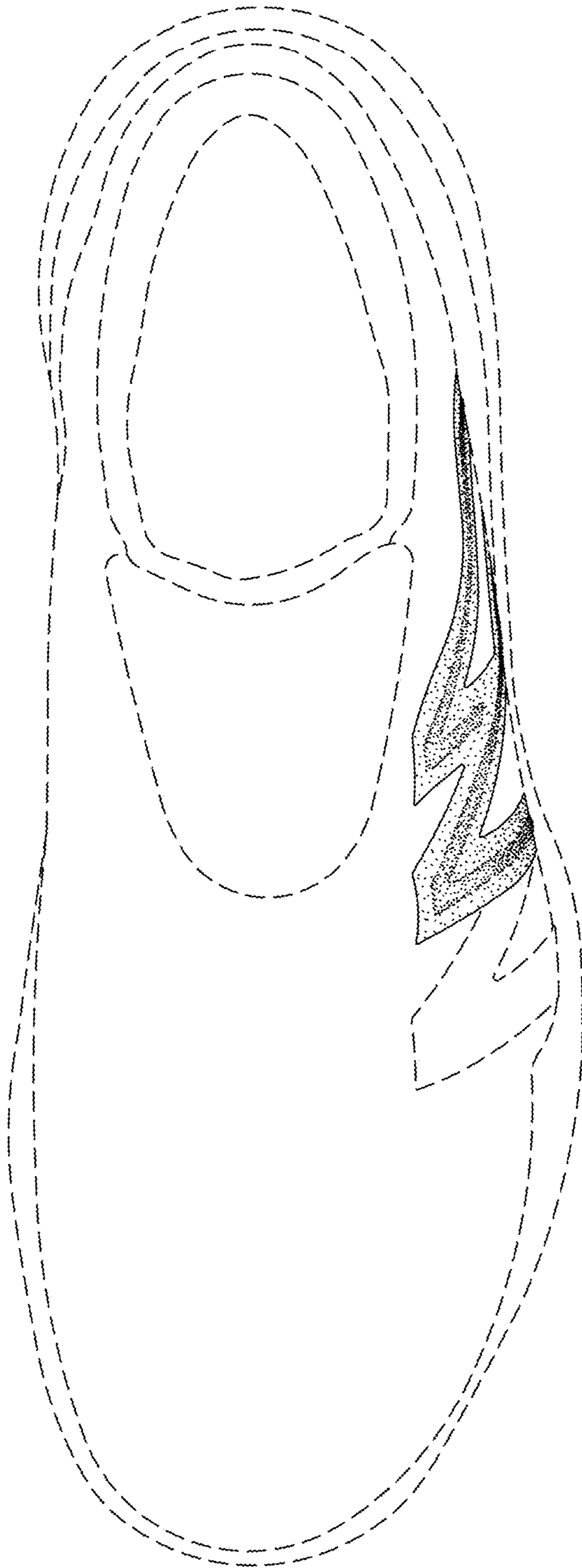


FIG. 4