



US00D878026S

(12) **United States Design Patent**  
**Nikolic**

(10) **Patent No.:** **US D878,026 S**

(45) **Date of Patent:** **\*\* Mar. 17, 2020**

- (54) **SHOE**
- (71) Applicant: **Reebok International Limited**, London (GB)
- (72) Inventor: **Ilija Nikolic**, Stoughton, MA (US)
- (73) Assignee: **Reebok International Limited**, London (GB)
- (\*\*) Term: **15 Years**
- (21) Appl. No.: **29/641,009**
- (22) Filed: **Mar. 19, 2018**
- (51) **LOC (12) Cl.** ..... **02-04**
- (52) **U.S. Cl.**  
USPC ..... **D2/960; D2/947; D2/951**
- (58) **Field of Classification Search**  
USPC ..... D2/902, 906, 908, 916, 918, 925, D2/946-962, 977; 36/3 B, 22 R, 24.5, 36/25 R, 28, 32 R, 34 R, 59 C, 67 A, 103  
CPC ..... A43B 13/00; A43B 13/02; A43B 13/023; A43B 13/026; A43B 13/04; A43B 13/08; A43B 13/10; A43B 13/12; A43B 13/14; A43B 13/141; A43B 13/143; A43B 13/16; A43B 13/18; A43B 13/181; A43B 13/187; A43B 13/189; A43B 13/20; A43B 13/22; A43B 13/223; A43B 13/24; A43B 13/28; A43B 13/30; A43B 13/32; A43B 13/34; A43B 13/36  
See application file for complete search history.

(56) **References Cited**

**U.S. PATENT DOCUMENTS**

- 1,523,956 A \* 1/1925 Grosjean ..... A43B 13/12 36/59 B
- D229,252 S \* 11/1973 Edmonds ..... D2/957
- D339,456 S \* 9/1993 Kayano ..... D2/959
- D395,743 S \* 7/1998 Ryan ..... D2/953

- D397,544 S \* 9/1998 Egelja ..... A43B 13/122 D2/902
- D398,144 S \* 9/1998 Egelja ..... A43B 3/0042 D2/960
- D401,740 S \* 12/1998 Davis ..... D2/947
- 6,076,284 A 6/2000 Terlizzi
- D554,840 S \* 11/2007 McClaskie ..... D2/953
- D571,988 S \* 7/2008 Dillenbeck ..... D2/953
- D584,887 S \* 1/2009 Earle ..... D2/951
- D609,439 S \* 2/2010 Walton ..... D2/951
- D609,894 S \* 2/2010 Andersen ..... D2/951
- D635,755 S \* 4/2011 McMillan ..... D2/951
- D649,756 S \* 12/2011 Thornhill ..... D2/951
- D738,077 S \* 9/2015 Montross ..... D2/951
- D756,619 S \* 5/2016 Monroy ..... D2/951
- D798,037 S \* 9/2017 Montross ..... D2/951
- D821,721 S \* 7/2018 Durflinger ..... D2/960
- D821,722 S \* 7/2018 Chang ..... D2/960
- D826,526 S \* 8/2018 Small ..... D2/957
- D839,576 S \* 2/2019 Small ..... D2/960

(Continued)

*Primary Examiner* — T Chase Nelson

(74) *Attorney, Agent, or Firm* — Sterne, Kessler, Goldstein & Fox P.L.L.C.

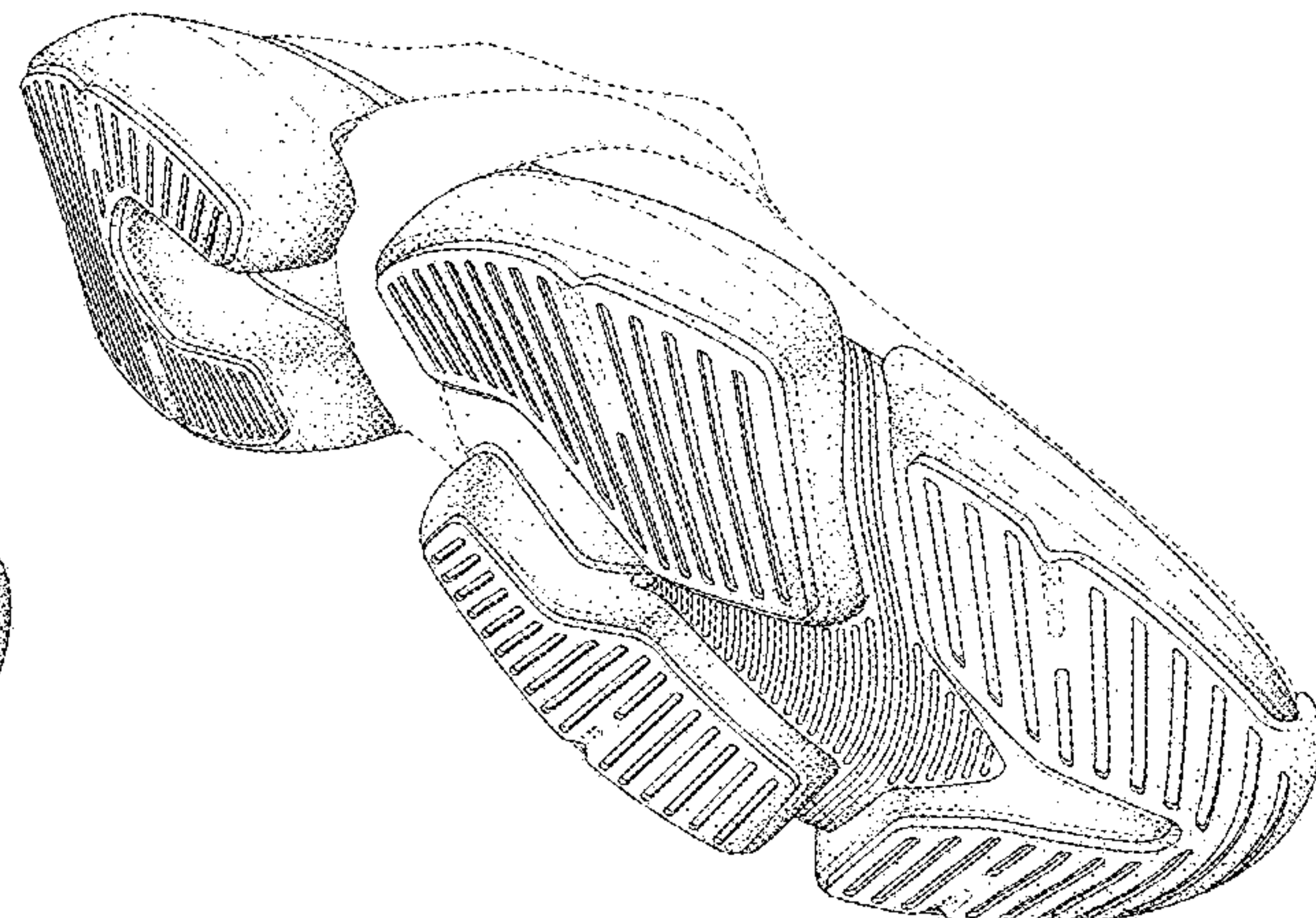
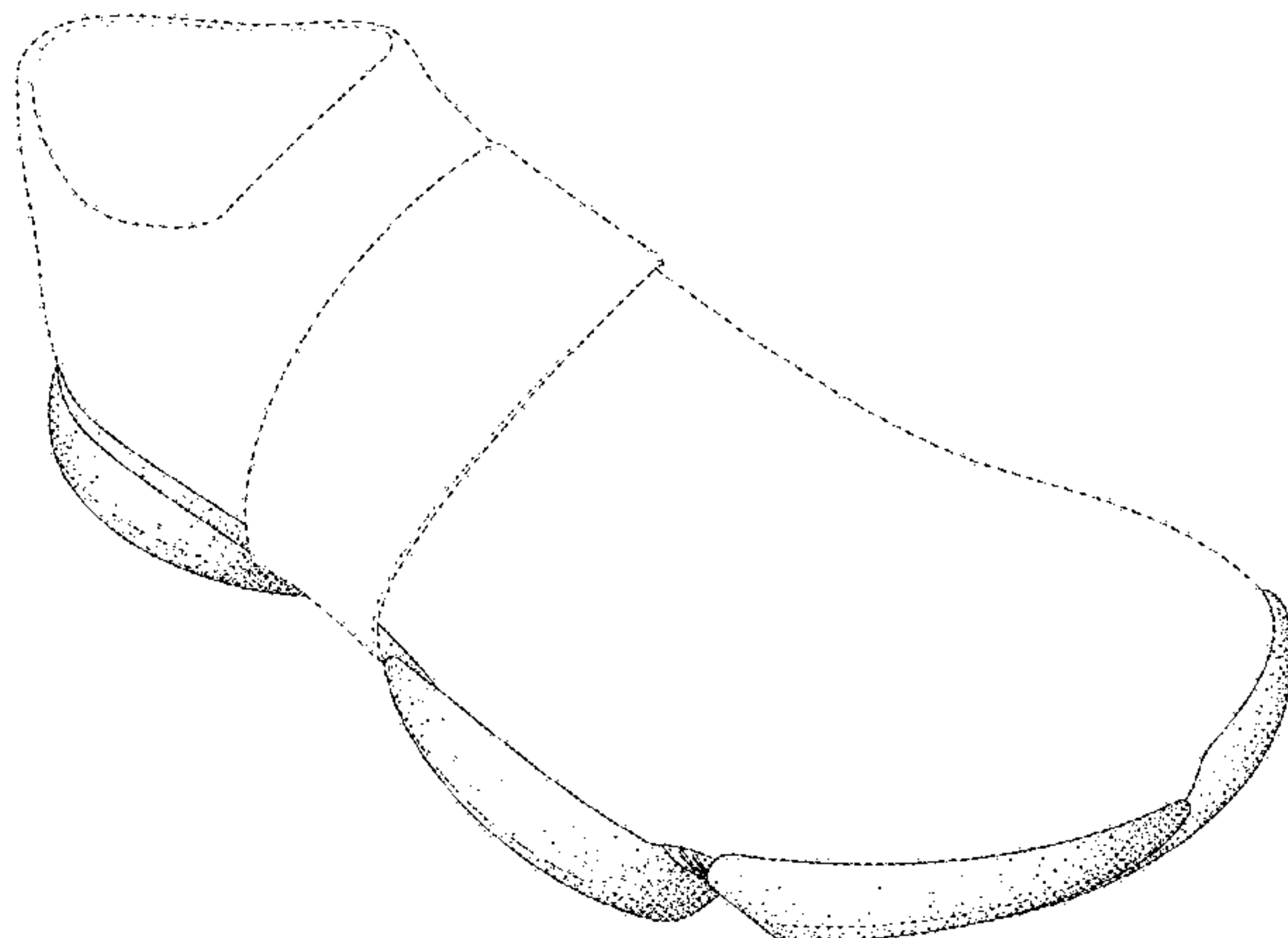
(57) **CLAIM**

The ornamental design for a shoe, as shown and described.

**DESCRIPTION**

FIG. 1 is a top front perspective view of a shoe showing the claimed design;  
 FIG. 2 is a bottom front perspective view thereof;  
 FIG. 3 is a front view thereof;  
 FIG. 4 is a rear view thereof;  
 FIG. 5 is a left side view thereof;  
 FIG. 6 is a right side view thereof;  
 FIG. 7 is a top view thereof; and,  
 FIG. 8 is a bottom view thereof.  
 The broken lines in the figures show portions of the shoe that form no part of the claimed design.

**1 Claim, 8 Drawing Sheets**



(56)

**References Cited**

U.S. PATENT DOCUMENTS

D841,954 S \* 3/2019 Petrenka ..... D2/953  
D843,704 S \* 3/2019 Hong ..... D2/960  
D844,944 S \* 4/2019 Theodorus van Oudvors .....  
D2/910  
D851,875 S \* 6/2019 Jacobs ..... D2/947  
D851,885 S \* 6/2019 Sebastian ..... D2/960  
D862,859 S \* 10/2019 Gerig ..... D2/960  
D862,860 S \* 10/2019 Sokol ..... D2/960  
2010/0293815 A1 \* 11/2010 Ferrigan ..... A43B 3/0042  
36/25 R  
2012/0023781 A1 \* 2/2012 Dojan ..... A43B 13/122  
36/103  
2019/0246738 A1 \* 8/2019 Connell ..... A43B 13/026

\* cited by examiner

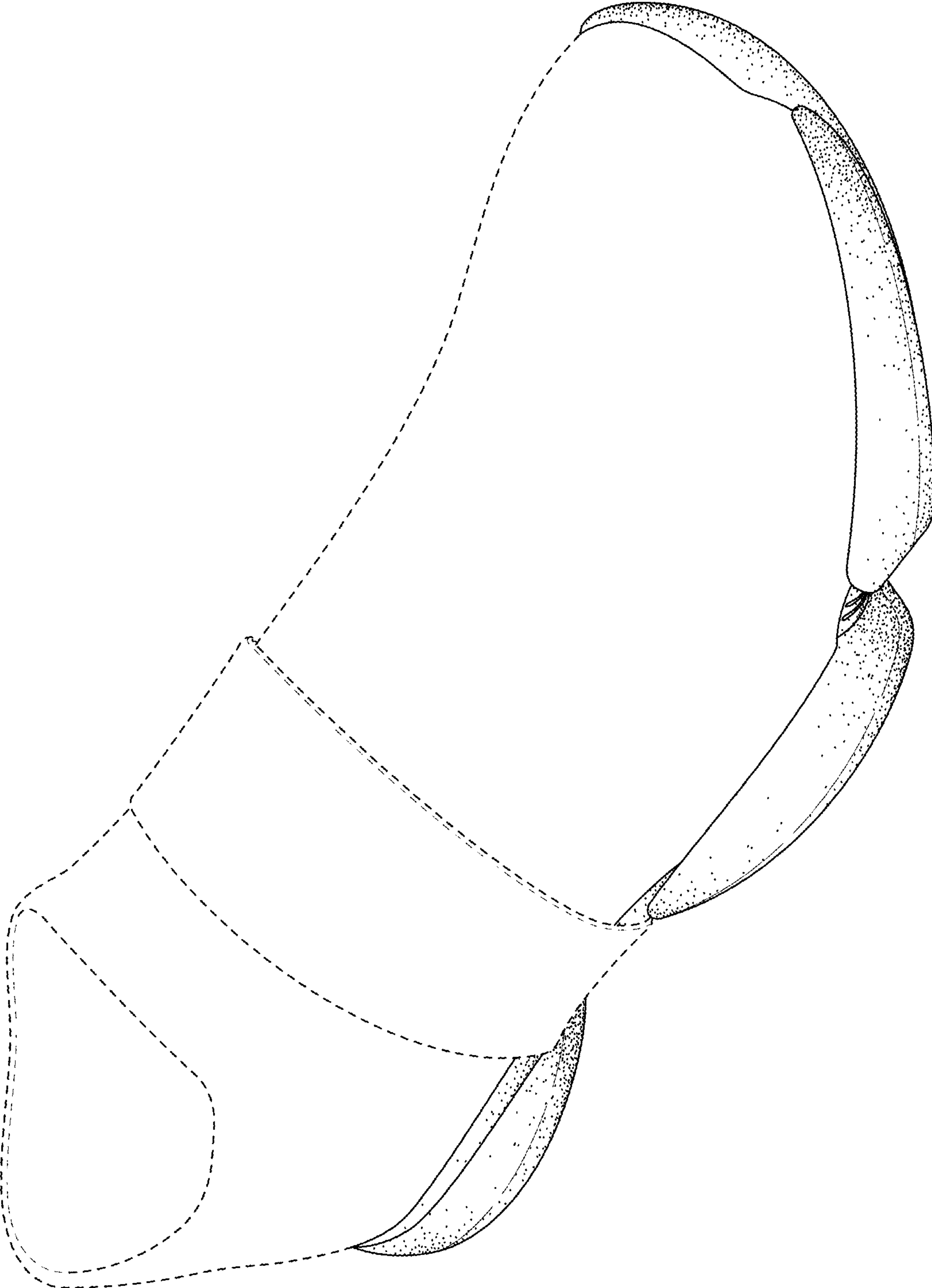


FIG. 1



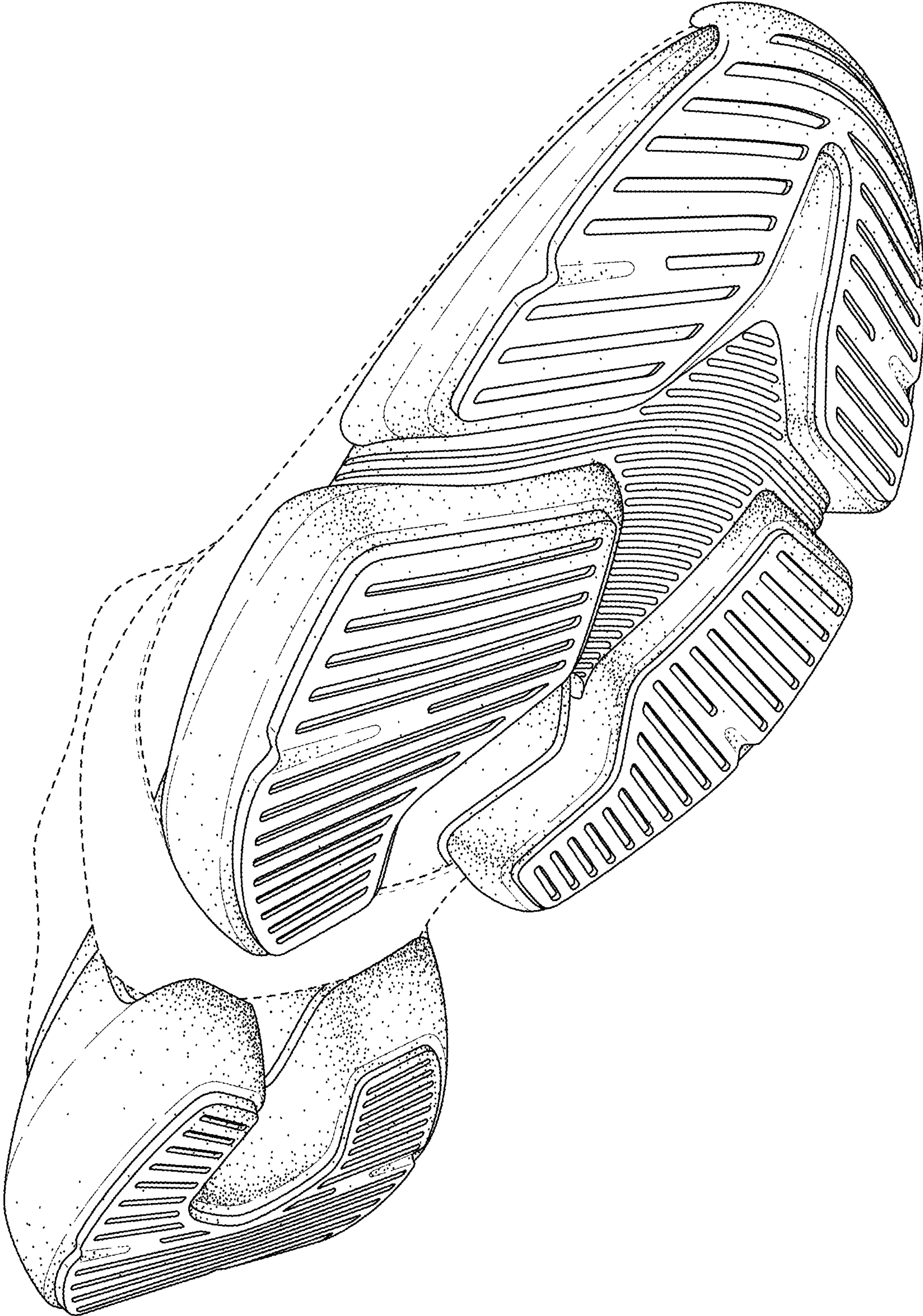


FIG. 2

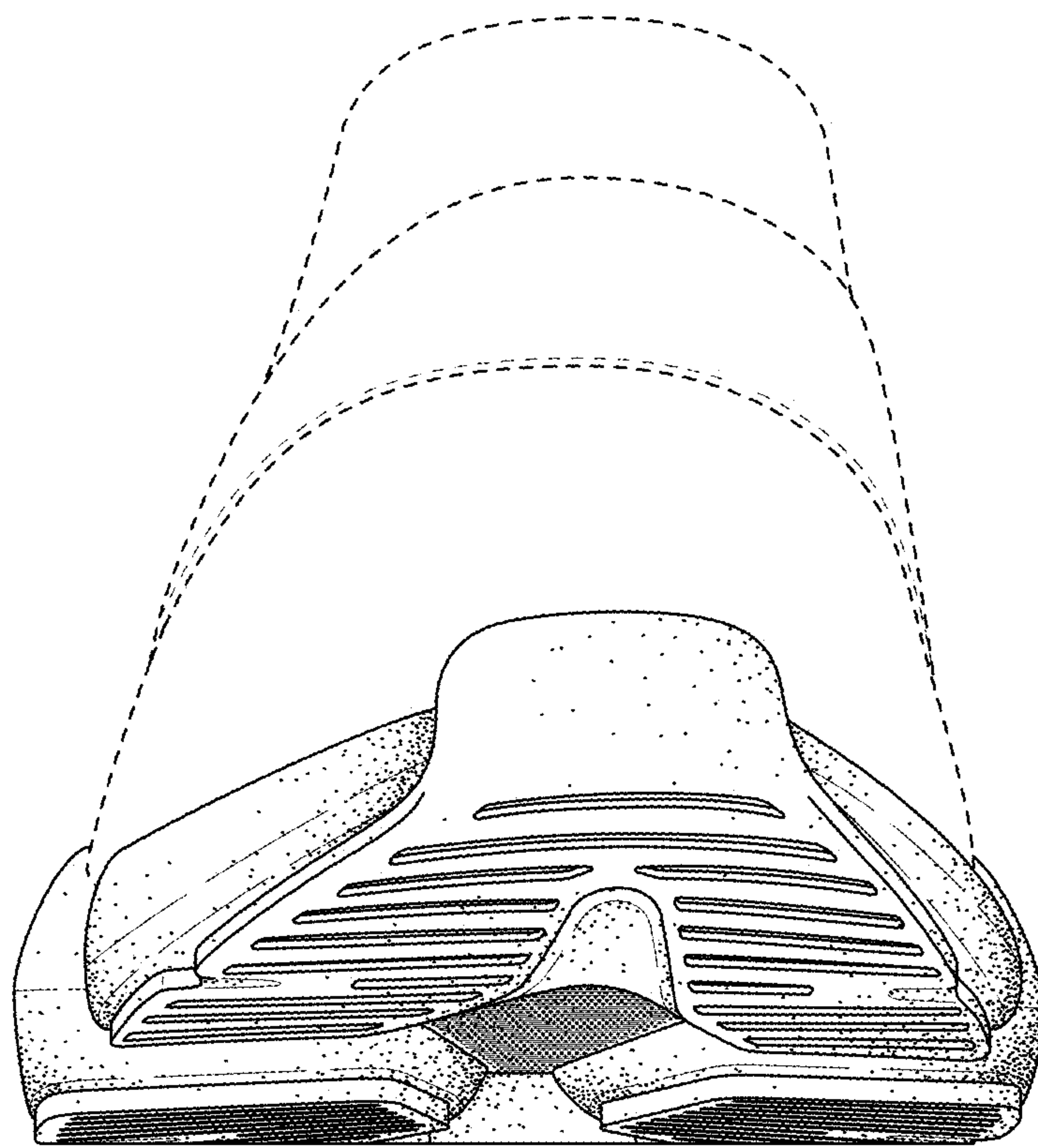


FIG. 3

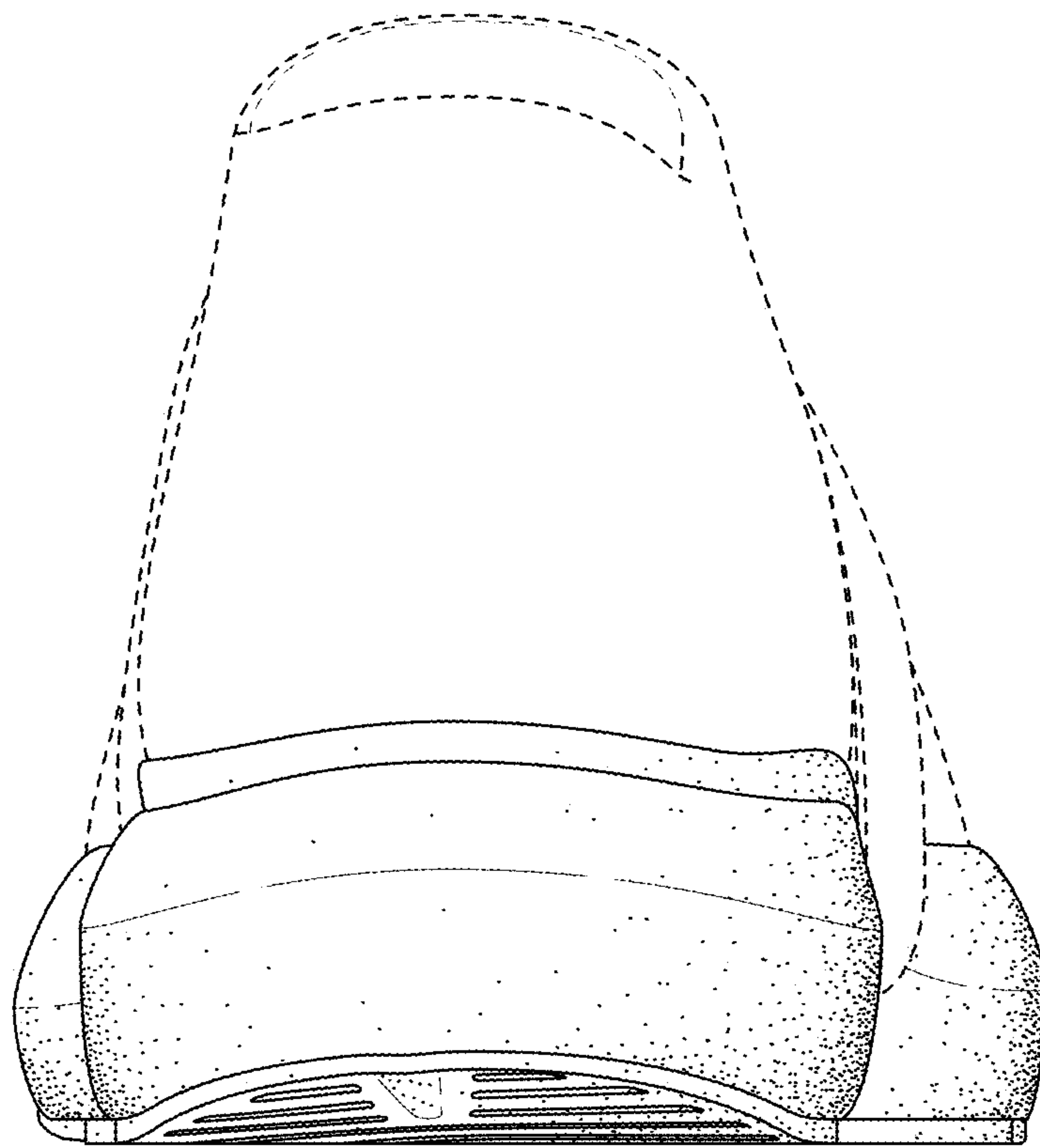


FIG. 4

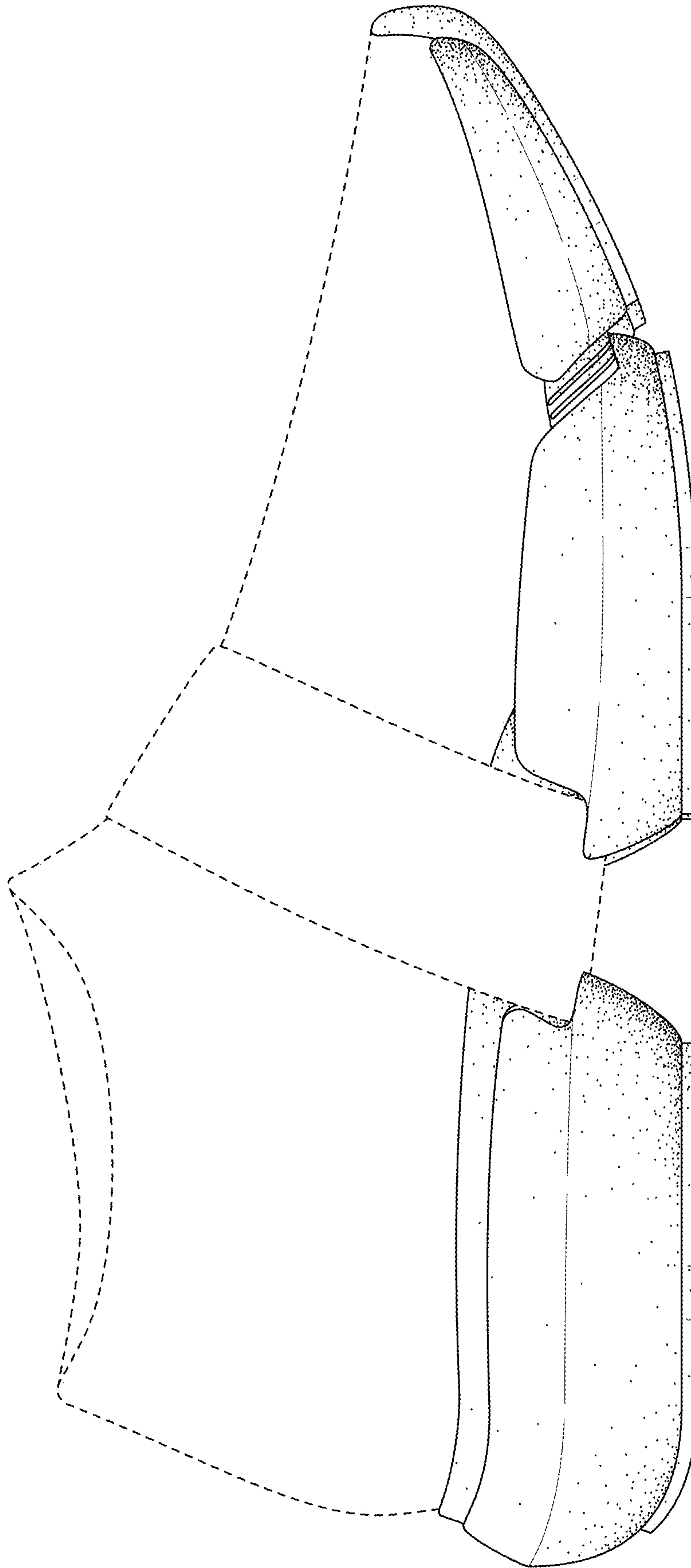


FIG. 5



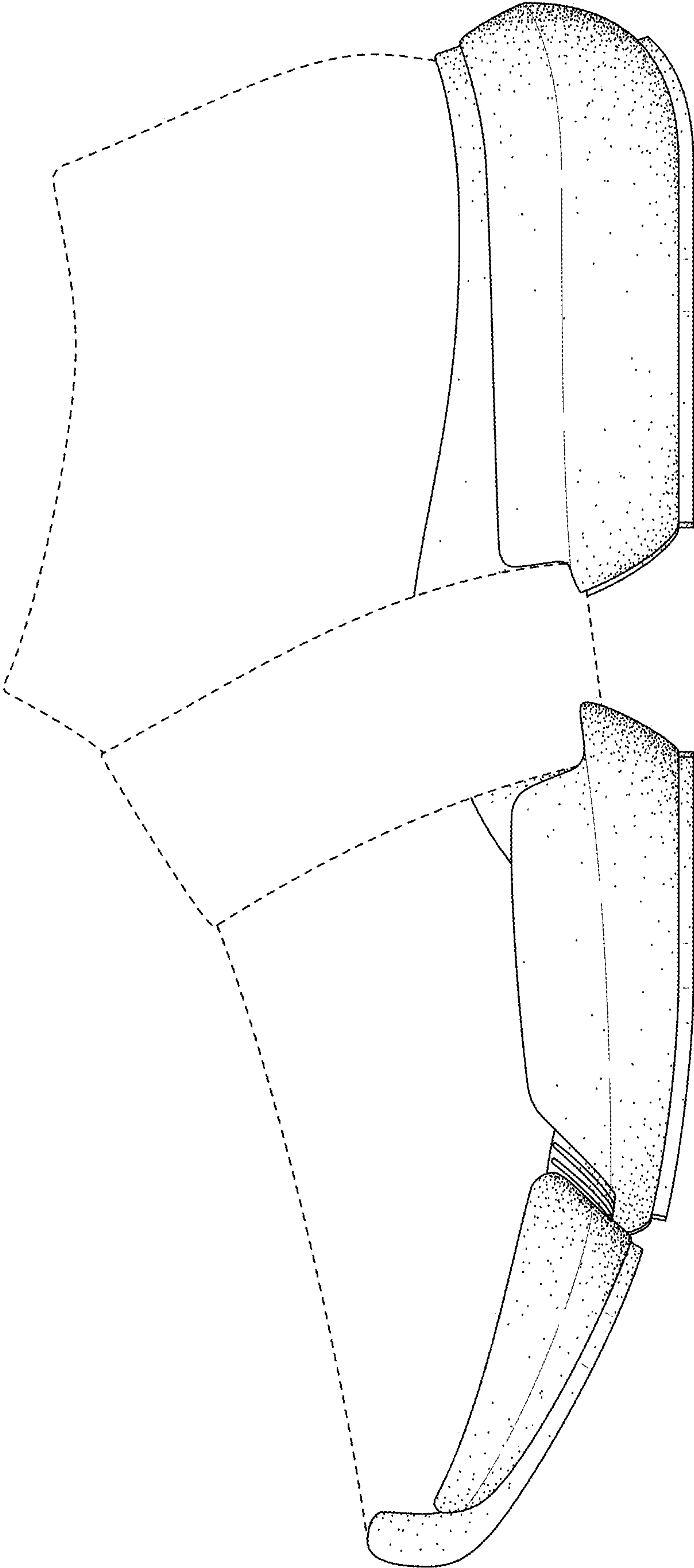


FIG. 6



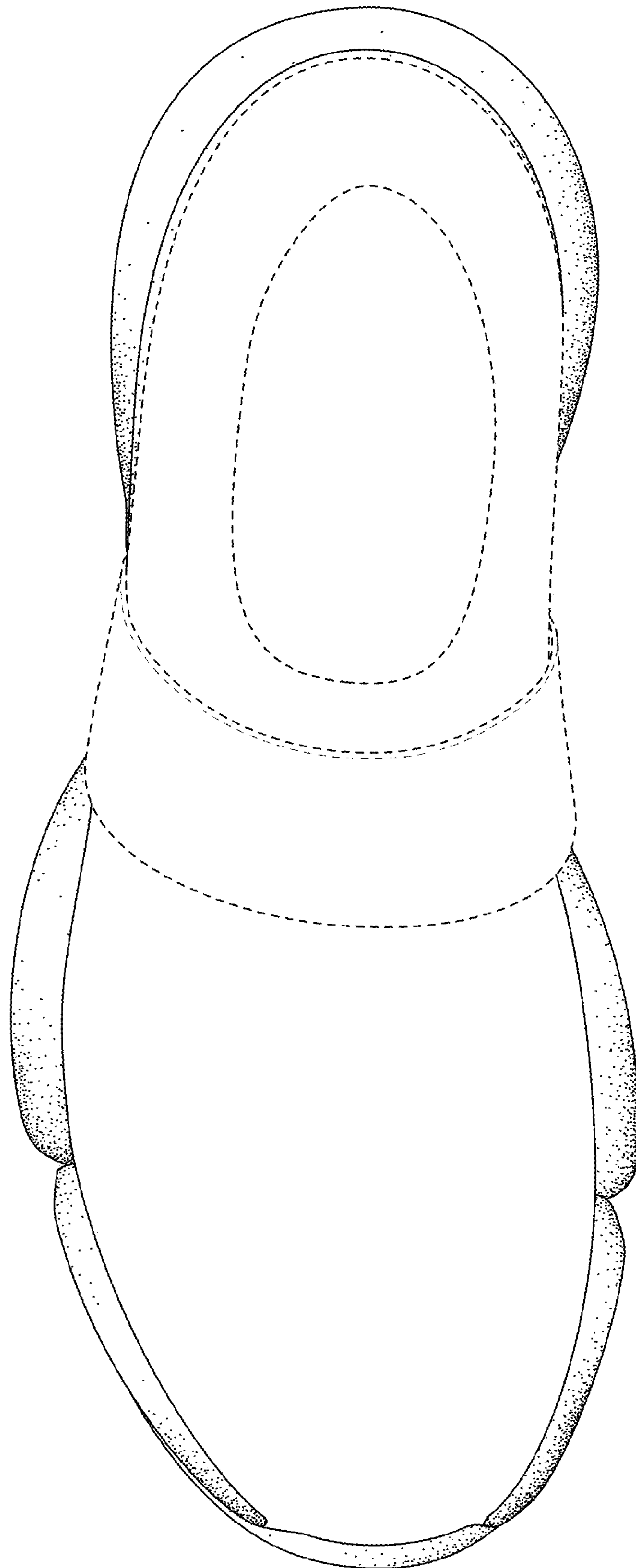


FIG. 7

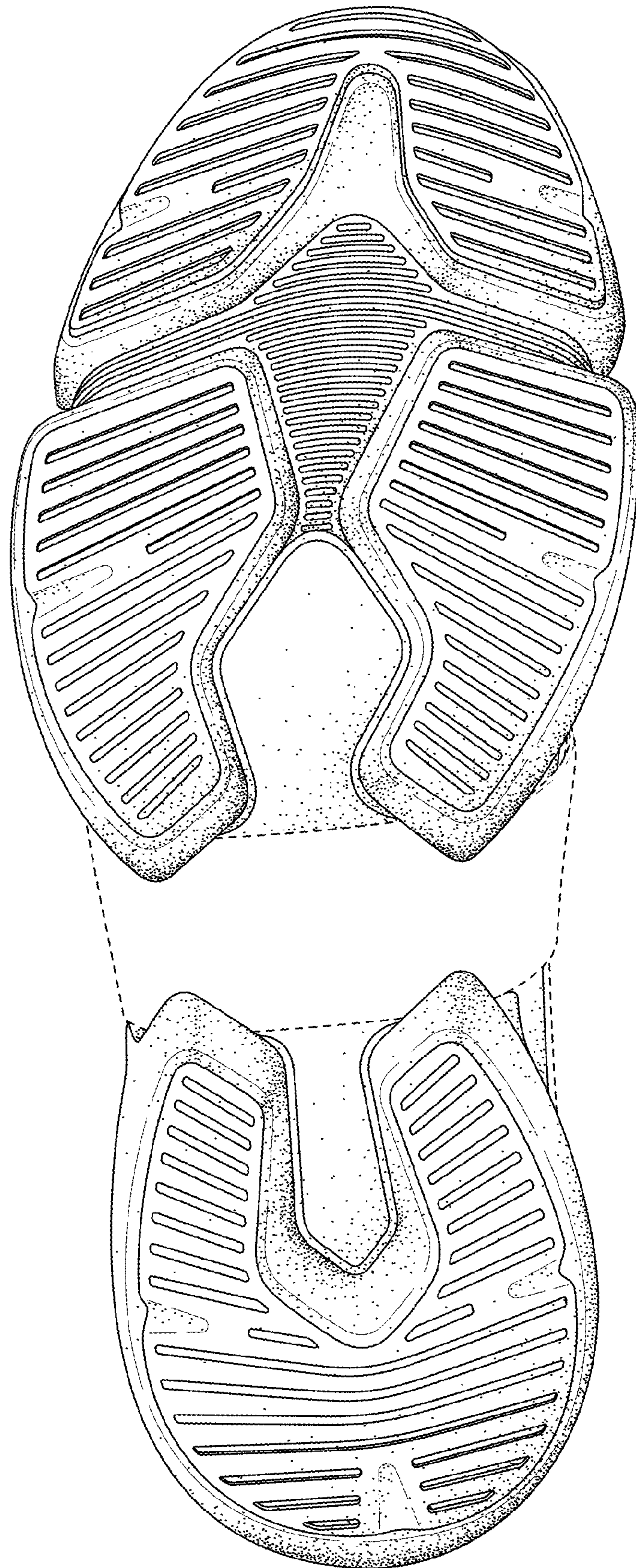


FIG. 8