



US00D878008S

(12) **United States Design Patent**  
**Mosley**

(10) **Patent No.:** **US D878,008 S**  
(45) **Date of Patent:** **\*\* Mar. 17, 2020**

- (54) **SHIRT**
- (71) Applicant: **Flecia Mosley**, Cedar Hill, TX (US)
- (72) Inventor: **Flecia Mosley**, Cedar Hill, TX (US)
- (\*\*) Term: **15 Years**
- (21) Appl. No.: **29/663,716**
- (22) Filed: **Sep. 18, 2018**
- (51) **LOC (12) Cl.** ..... **02-02**
- (52) **U.S. Cl.**  
USPC ..... **D2/720; D2/847**
- (58) **Field of Classification Search**  
USPC ..... D2/840, 828, 750, 847, 731, 717, 720,  
D2/830, 839, 860, 861, 849  
CPC ..... A41D 13/1245; A41D 13/1263; A41D  
13/1236; A41D 27/28; A41D 31/14;  
A41D 3/005; A41B 1/00; A41B 9/06  
See application file for complete search history.

- D635,739 S \* 4/2011 Toms ..... D2/720
- D647,688 S \* 11/2011 Hilgart ..... D2/720
- 8,332,967 B2 \* 12/2012 Echikson ..... A41B 1/00  
2/115
- D680,709 S \* 4/2013 Blood ..... D2/720
- D733,400 S \* 7/2015 Cunningham ..... D2/720
- D739,120 S 9/2015 Young
- D759,351 S \* 6/2016 Hancock ..... D2/847
- 9,901,129 B2 \* 2/2018 Quiroga ..... A41D 13/1245
- D814,144 S \* 4/2018 Meng ..... D2/750
- D834,787 S \* 12/2018 Picot ..... D2/840
- D855,287 S \* 8/2019 Smith Corby ..... D2/720
- D856,633 S \* 8/2019 Morrison ..... D2/720
- 10,433,600 B2 \* 10/2019 Emoff ..... A41B 9/06
- 2003/0126668 A1 \* 7/2003 Scroggins ..... A41D 13/1236  
2/114
- 2012/0151658 A1 \* 6/2012 Von Furstenberg .....  
A41D 13/1236  
2/114

(Continued)

**FOREIGN PATENT DOCUMENTS**

WO WO2015089057 6/2015  
*Primary Examiner* — Susan E Krakower  
*Assistant Examiner* — Jerry Shiuan-Hua Hsu

(56) **References Cited**

**U.S. PATENT DOCUMENTS**

- 4,422,186 A 12/1983 Loney
- 4,570,268 A 2/1986 Freeman
- 5,799,330 A \* 9/1998 O'Donoghue-Kitt .....  
A41D 13/129  
2/105
- 6,115,840 A 9/2000 Hastings
- 6,216,271 B1 4/2001 Chen
- 6,792,622 B2 \* 9/2004 Graves ..... A41D 13/1245  
2/114
- D534,336 S \* 1/2007 Flick ..... D2/840
- 7,305,716 B1 12/2007 Richards
- D560,879 S \* 2/2008 Hines ..... D2/840
- D564,730 S 3/2008 Farrell
- D565,279 S 4/2008 Farrell
- D584,483 S \* 1/2009 Glynn ..... D2/720
- D584,882 S \* 1/2009 Trouillot ..... D2/720
- D612,126 S \* 3/2010 Milgrom ..... D2/720
- D635,335 S \* 4/2011 Eckman ..... D2/849

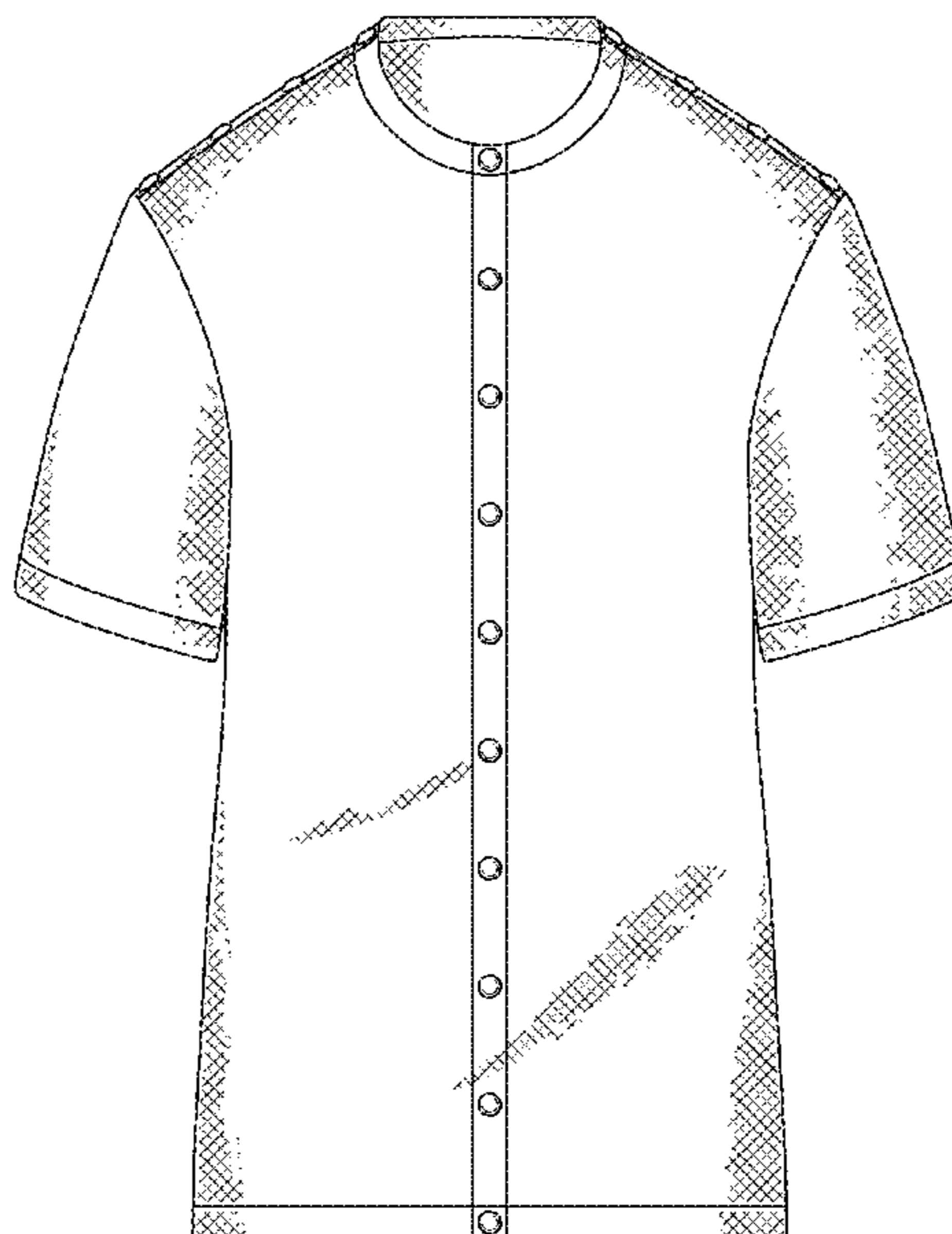
(57) **CLAIM**

The ornamental design for a shirt, as shown and described.

**DESCRIPTION**

FIG. 1 is a front view of a shirt showing my new design;  
 FIG. 2 is a rear view of the shirt;  
 FIG. 3 is a right side view of the shirt;  
 FIG. 4 is a left side view of the shirt;  
 FIG. 5 is a top view of the shirt;  
 FIG. 6 is a bottom view of the shirt;  
 FIG. 7 is a top front side perspective view of the shirt; and,  
 FIG. 8 is a top front side perspective view of the shirt in an  
 alternative position.

**1 Claim, 6 Drawing Sheets**



(56)

**References Cited**

U.S. PATENT DOCUMENTS

2013/0067633 A1\* 3/2013 Salem ..... A41D 13/1245  
2/102  
2013/0276202 A1\* 10/2013 Forbes ..... A41D 13/1236  
2/114  
2014/0026289 A1\* 1/2014 Schulties ..... A41D 13/1245  
2/114  
2014/0189931 A1\* 7/2014 Fredrickson ..... A41D 13/1236  
2/114  
2015/0101102 A1 4/2015 Theodossiou  
2016/0088886 A1\* 3/2016 Kirwan ..... A41D 13/1236  
2/114  
2017/0273372 A1\* 9/2017 Deng ..... A41D 13/129  
2019/0159533 A1\* 5/2019 James ..... A41D 13/1245

\* cited by examiner

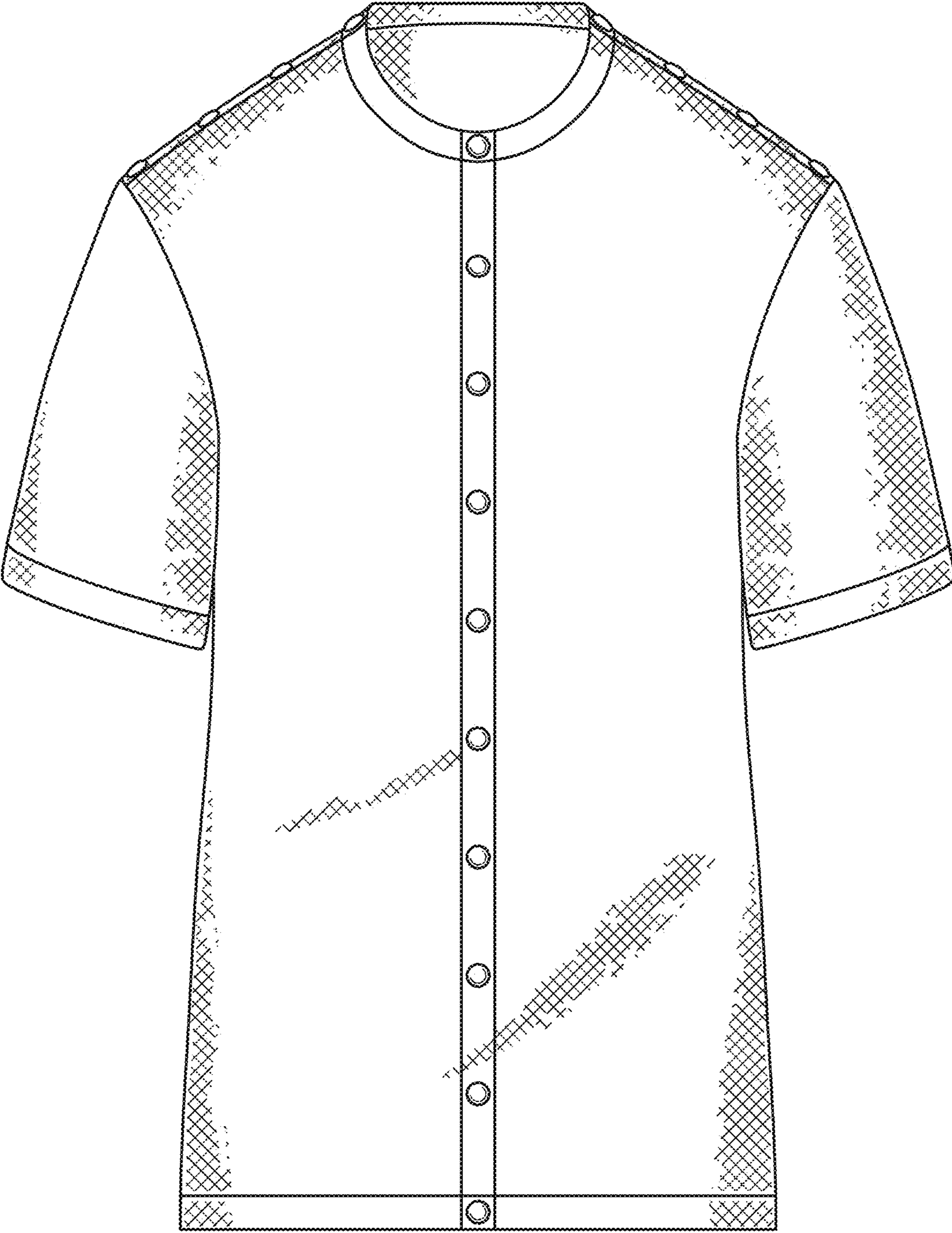


FIG. 1

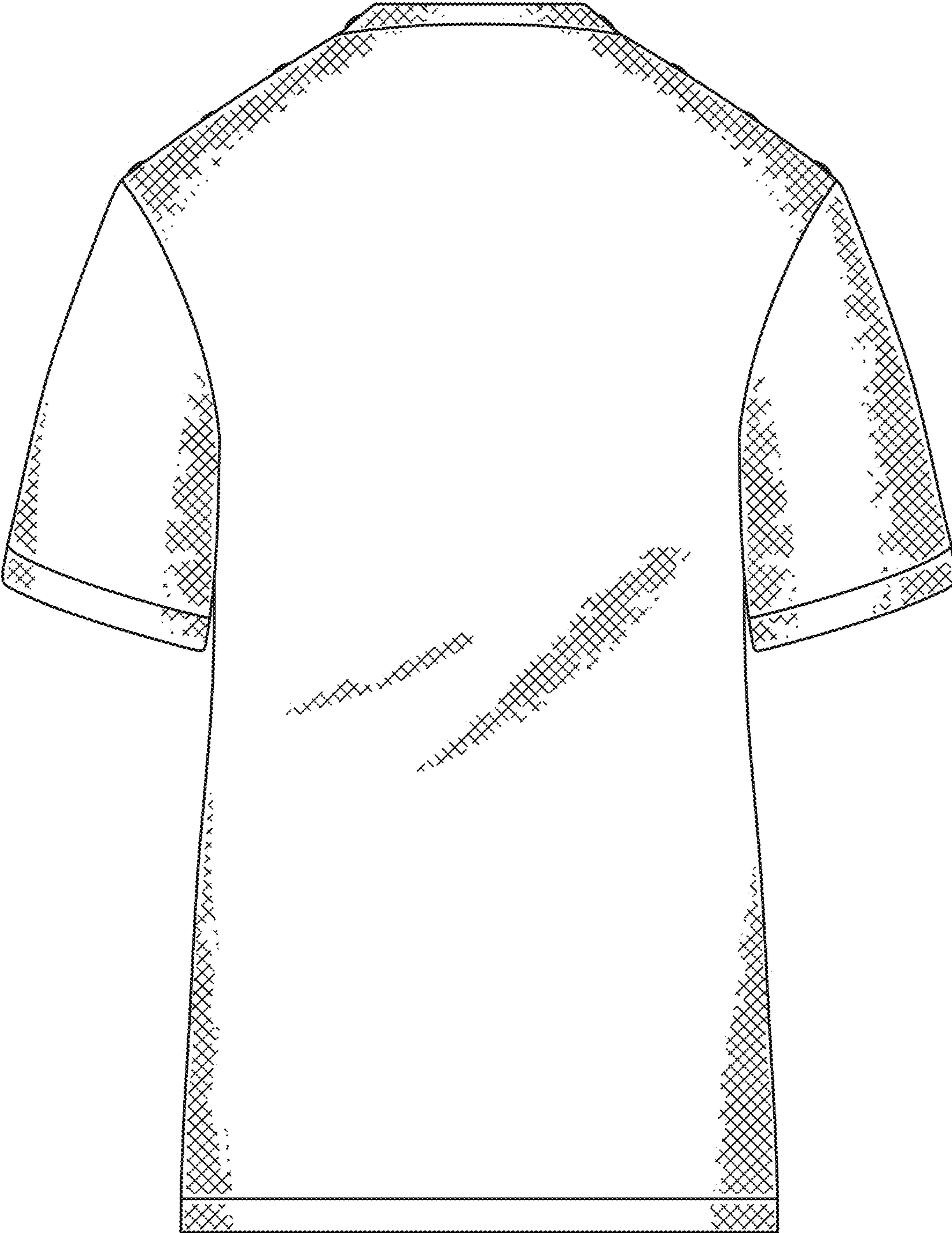


FIG. 2

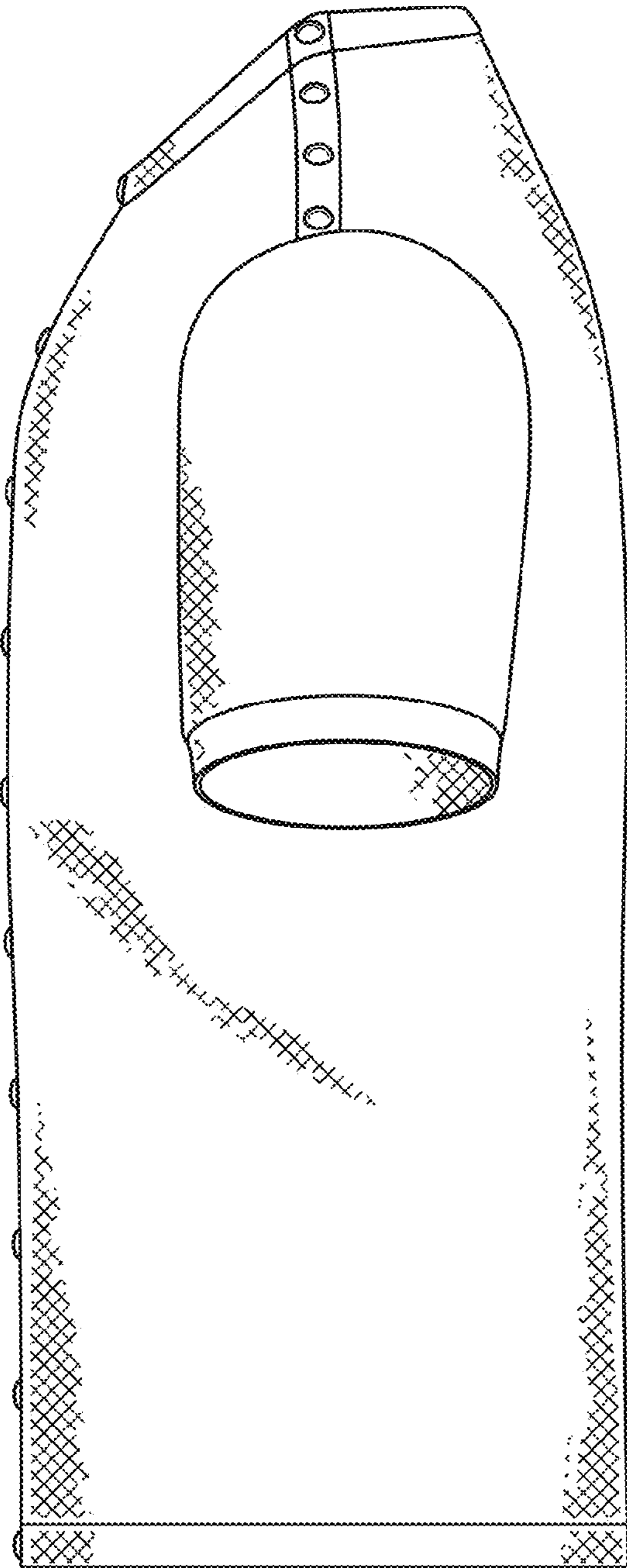


FIG. 3

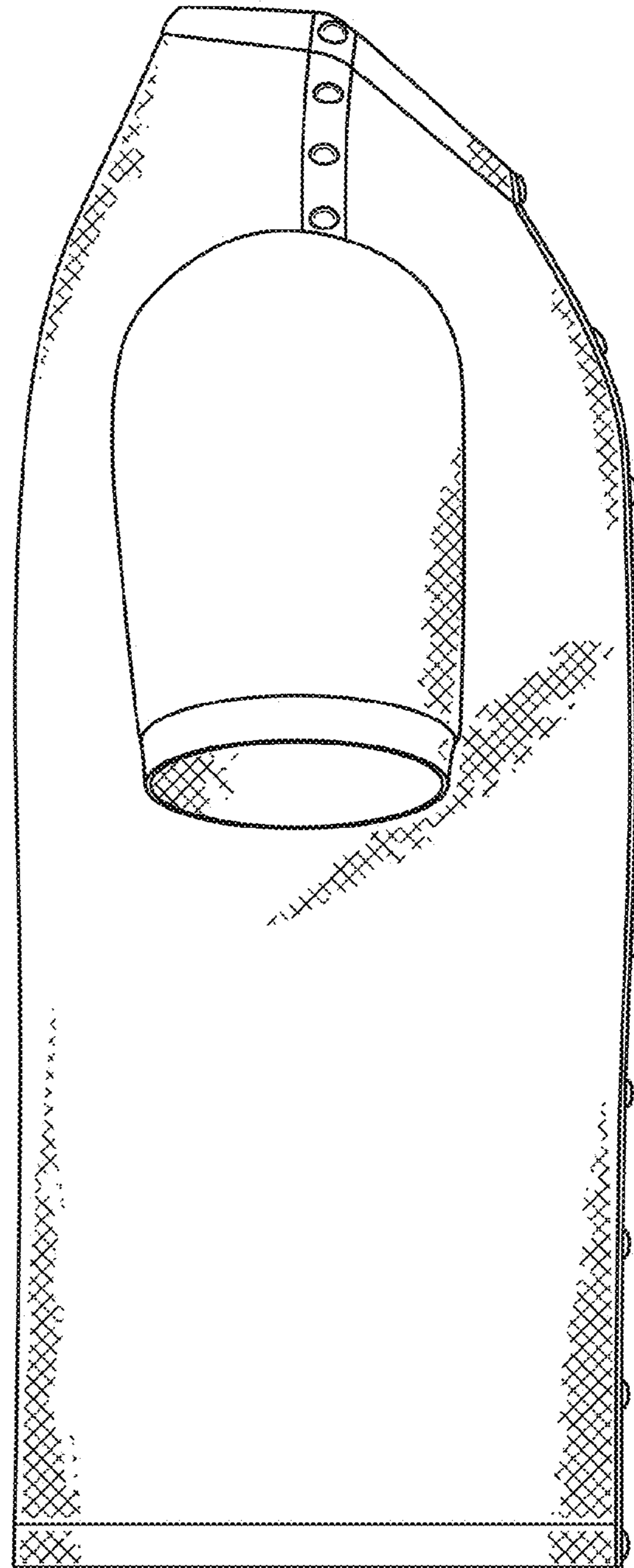


FIG. 4

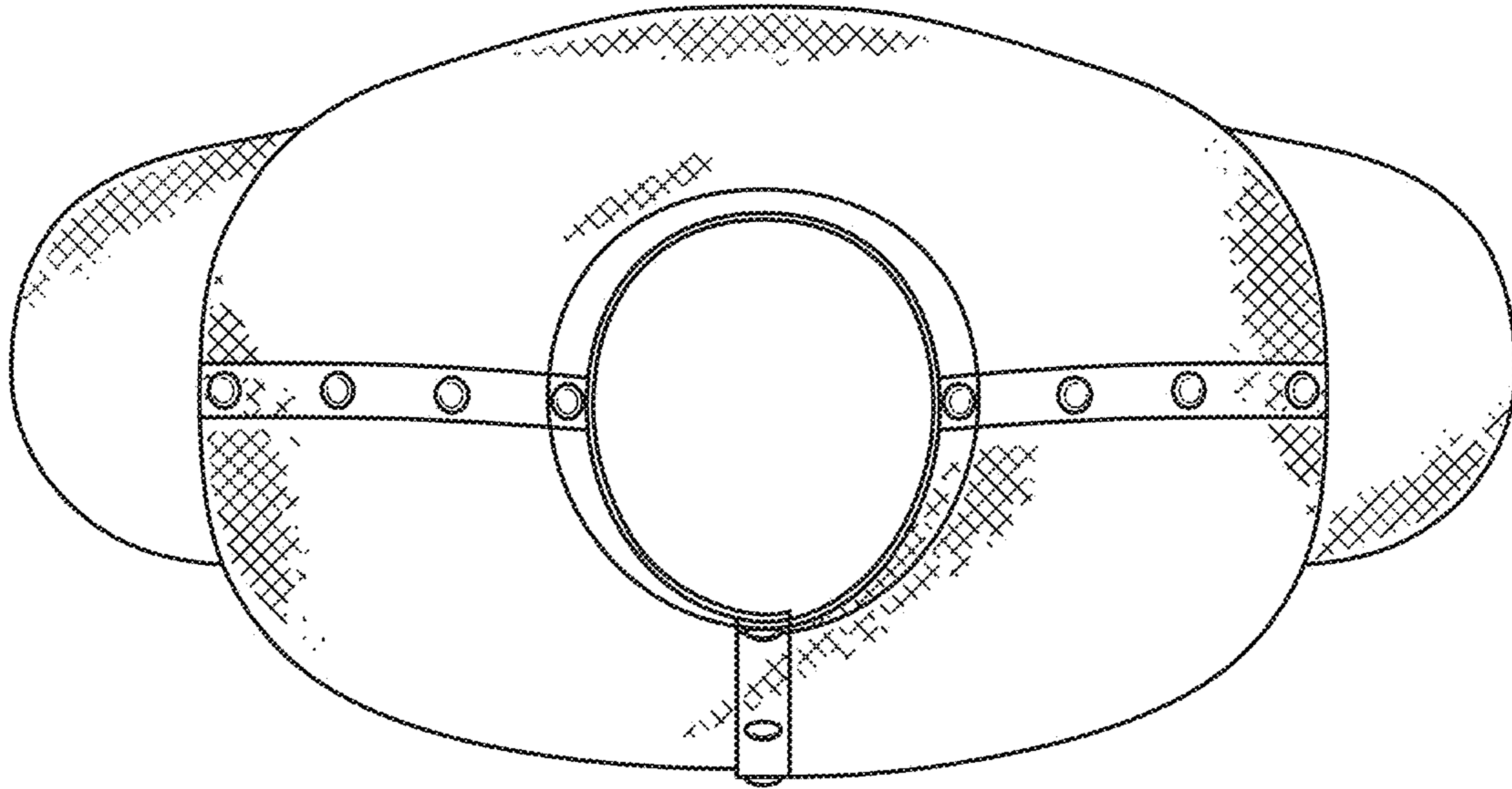


FIG. 5

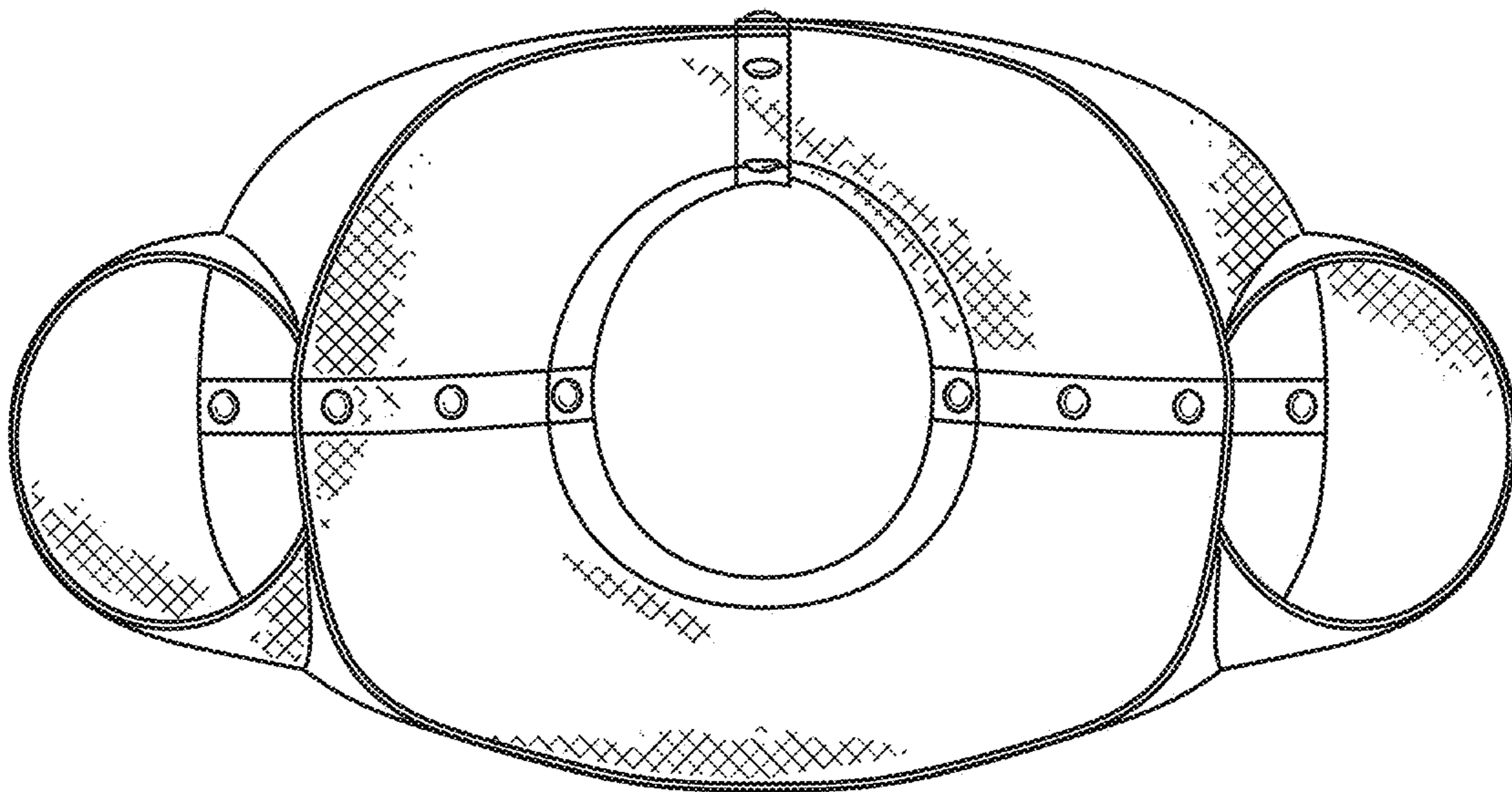


FIG. 6

FIG. 7

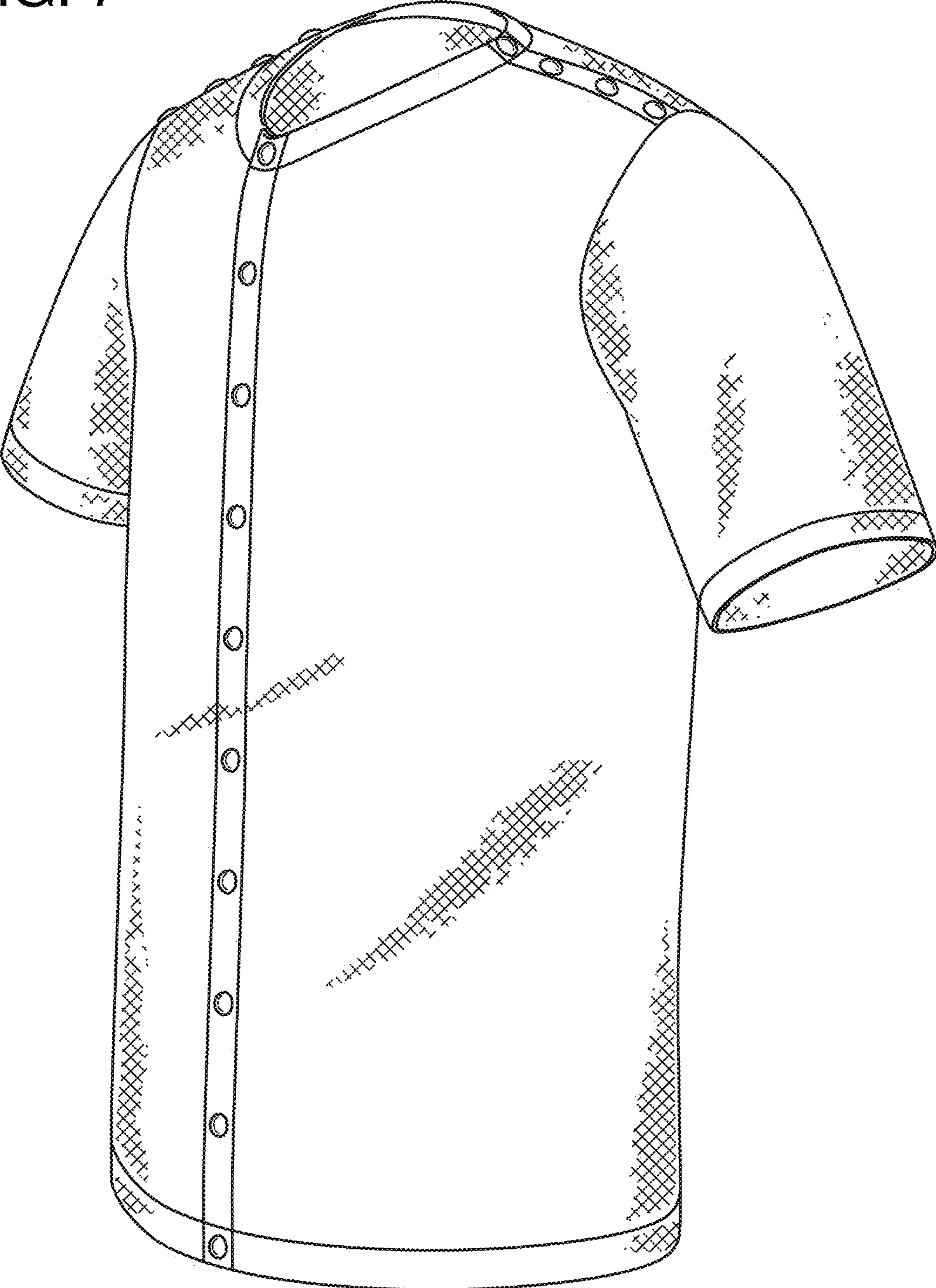


FIG. 8

