



US00D878003S

(12) **United States Design Patent**  
**Garcia**

(10) **Patent No.:** **US D878,003 S**

(45) **Date of Patent:** **\*\* Mar. 10, 2020**

(54) **IN-GROUND NICHE**

(71) Applicant: **Gerardo G. Garcia**, Santa Fe, NM (US)

(72) Inventor: **Gerardo G. Garcia**, Santa Fe, NM (US)

(73) Assignee: **COLUMBARIUM BY DESIGN, LLC**, Santa Fe, NM (US)

(\*\*) Term: **15 Years**

(21) Appl. No.: **29/650,069**

(22) Filed: **Jun. 4, 2018**

(51) **LOC (12) Cl.** ..... **99-00**

(52) **U.S. Cl.**  
USPC ..... **D99/17**

(58) **Field of Classification Search**  
USPC ..... D99/17, 18, 5; 27/1, 2, 10, 35;  
D25/112, 113; 52/134, 136, 139, 142,  
52/132, 133, 128, 511, 483.1, 489.1;  
206/37, 537, 496, 503; 220/8, 4.27, 23,  
220/83; 211/84, 85.27  
CPC ..... A61G 17/00; A61G 17/08; E04H 13/00  
See application file for complete search history.

(56) **References Cited**

**U.S. PATENT DOCUMENTS**

1,924,149	A *	8/1933	Britton	.....	A47G 7/06 40/124.5
2,062,684	A *	12/1936	Thomas	.....	A47G 7/06 27/1
2,326,414	A *	8/1943	Thompson	.....	B65D 7/00 206/503
2,610,443	A *	9/1952	Carlson	.....	E04H 13/003 220/301
2,747,763	A *	5/1956	Edward	.....	B60K 15/0409 220/210

(Continued)

**OTHER PUBLICATIONS**

U.S. Appl. No. 15/919,446, Inventor Gerardo G. Garcia, filed Mar. 13, 2018.

(Continued)

*Primary Examiner* — Paula Allen Greene

(74) *Attorney, Agent, or Firm* — Amin, Turocy & Watson, LLP

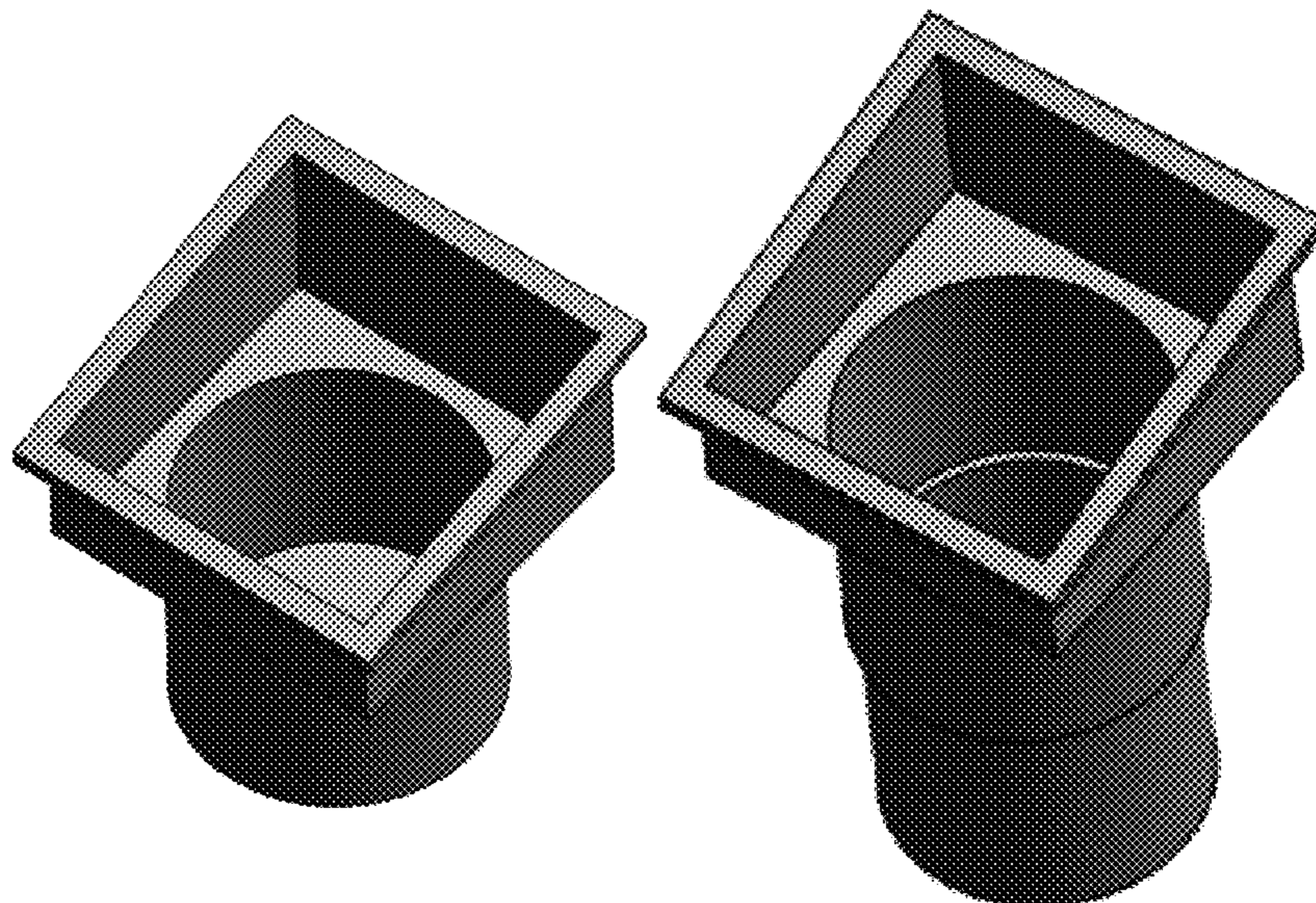
(57) **CLAIM**

The ornamental design for an in-ground niche, as shown and described.

**DESCRIPTION**

FIG. 1 is a perspective view of a single-deep in-ground niche showing my new design;  
 FIG. 2 is a front elevation view of the single-deep in-ground niche;  
 FIG. 3 is a rear elevation view of the single-deep in-ground niche;  
 FIG. 4 is a right side elevation view of the single-deep in-ground niche, the left side being a mirror image;  
 FIG. 5 is a top plan view of the single-deep in-ground niche;  
 FIG. 6 is a bottom plan view of the single-deep in-ground niche;  
 FIG. 7 is a perspective view of a double-deep in-ground niche showing my new design;  
 FIG. 8 is a front elevation view of the double-deep in-ground niche;  
 FIG. 9 is a rear elevation view of the double-deep in-ground niche;  
 FIG. 10 is a right side elevation view of the double-deep in-ground niche, the left side being a mirror image;  
 FIG. 11 is a top plan view of the double-deep in-ground niche; and,  
 FIG. 12 is a bottom plan view of the double-deep in-ground niche.

**1 Claim, 4 Drawing Sheets**



(56)

References Cited

U.S. PATENT DOCUMENTS

2,893,167 A \* 7/1959 Davidson ..... A01G 9/02  
220/8  
3,001,326 A \* 9/1961 O'Brien ..... E04H 13/003  
47/41.1  
3,183,574 A \* 5/1965 Diem ..... E04H 13/006  
211/84  
3,323,706 A \* 6/1967 Gereke ..... A47G 19/065  
206/217  
3,581,452 A \* 6/1971 Jalbert ..... E04H 13/00  
52/133  
3,596,419 A \* 8/1971 Jalbert ..... E04H 13/00  
52/137  
3,815,281 A \* 6/1974 Kander ..... A63H 33/04  
446/77  
3,898,718 A \* 8/1975 Eubank ..... A61G 17/00  
27/35  
3,925,944 A \* 12/1975 Pickel ..... E04H 13/006  
52/134  
4,170,082 A \* 10/1979 Freedman ..... A63H 33/101  
206/504  
4,328,606 A \* 5/1982 Nunes ..... A61G 17/00  
27/35  
4,607,417 A \* 8/1986 Hancovsky ..... A61G 17/08  
206/486  
4,760,802 A \* 8/1988 Leong ..... A47B 3/06  
108/150  
5,208,957 A \* 5/1993 Hereford ..... A44C 25/00  
206/37  
5,287,603 A \* 2/1994 Schorman ..... A61G 17/08  
27/1  
5,647,108 A \* 7/1997 Crook ..... A61G 17/08  
27/1

5,815,897 A \* 10/1998 Longstreth ..... A61G 17/08  
27/1  
D408,611 S \* 4/1999 Vuocolo ..... D99/17  
6,161,268 A \* 12/2000 Joseph ..... E04H 13/006  
27/1  
6,167,600 B1 \* 1/2001 Williams ..... E04H 13/006  
27/1  
6,279,212 B1 \* 8/2001 Balch ..... A61G 17/08  
27/1  
6,421,890 B1 \* 7/2002 Biggar ..... A61G 17/08  
220/23.83  
D477,448 S \* 7/2003 Cuccaro ..... D6/556  
6,904,721 B1 \* 6/2005 Forbes ..... E04H 13/008  
52/103  
7,287,306 B1 \* 10/2007 Green ..... A61G 17/08  
27/1  
D620,674 S \* 7/2010 Biegel ..... D99/5  
D622,023 S \* 8/2010 Molitor ..... D99/5  
8,556,099 B2 \* 10/2013 Perlman ..... A45F 3/20  
206/217  
8,943,762 B2 \* 2/2015 Carlson ..... E04H 13/008  
52/137  
9,414,985 B2 8/2016 Ugartechea  
2002/0144383 A1 \* 10/2002 Spence ..... A61G 17/00  
27/35  
2012/0248106 A1 \* 10/2012 Marta ..... B65D 21/086  
220/8

OTHER PUBLICATIONS

Design U.S. Appl. No. 29/646,099, Inventor Gerardo G. Garcia,  
filed May 1, 2018.  
Columbarium by Design, Product Catalog, May 2017.

\* cited by examiner



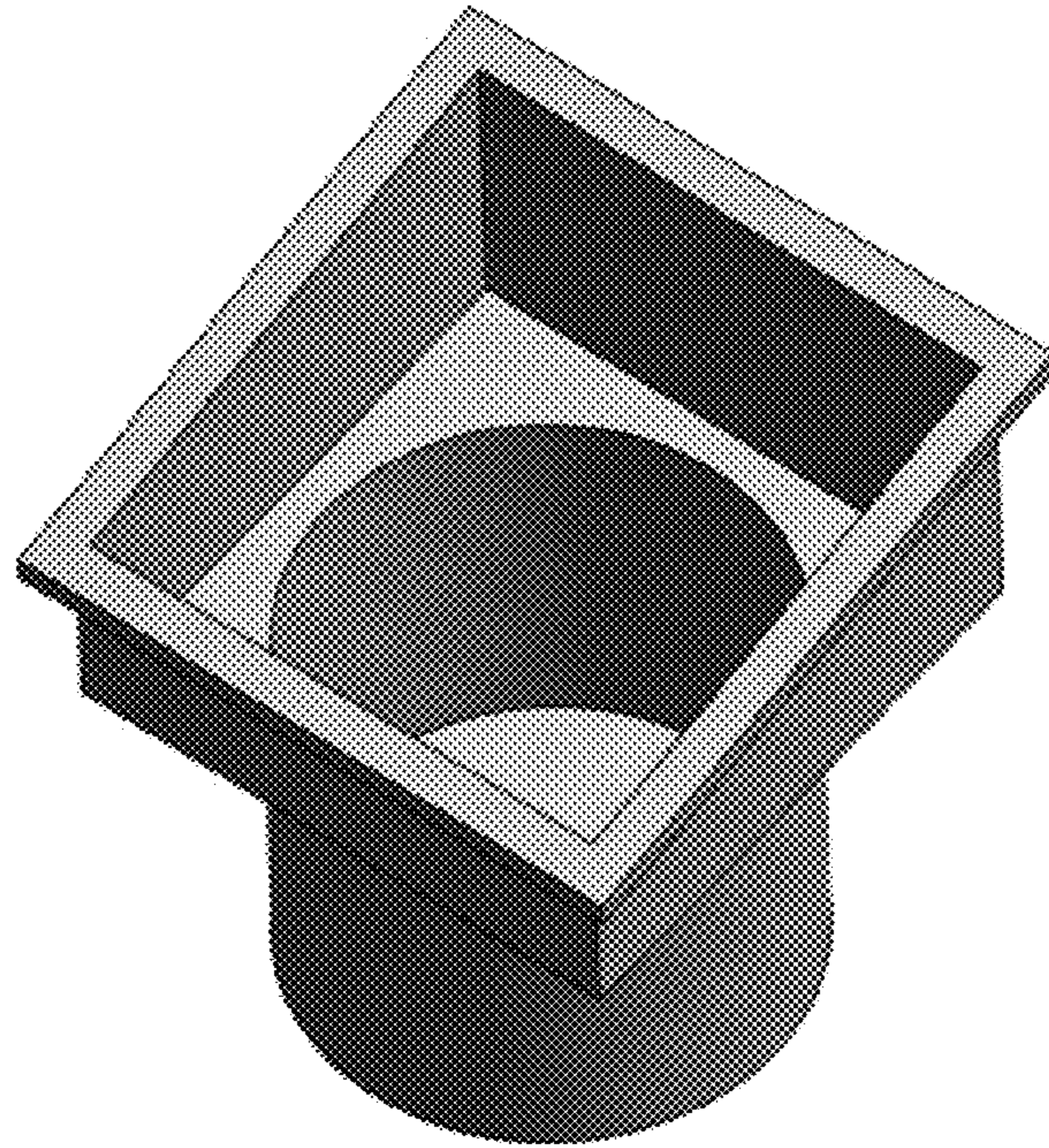


FIG. 1

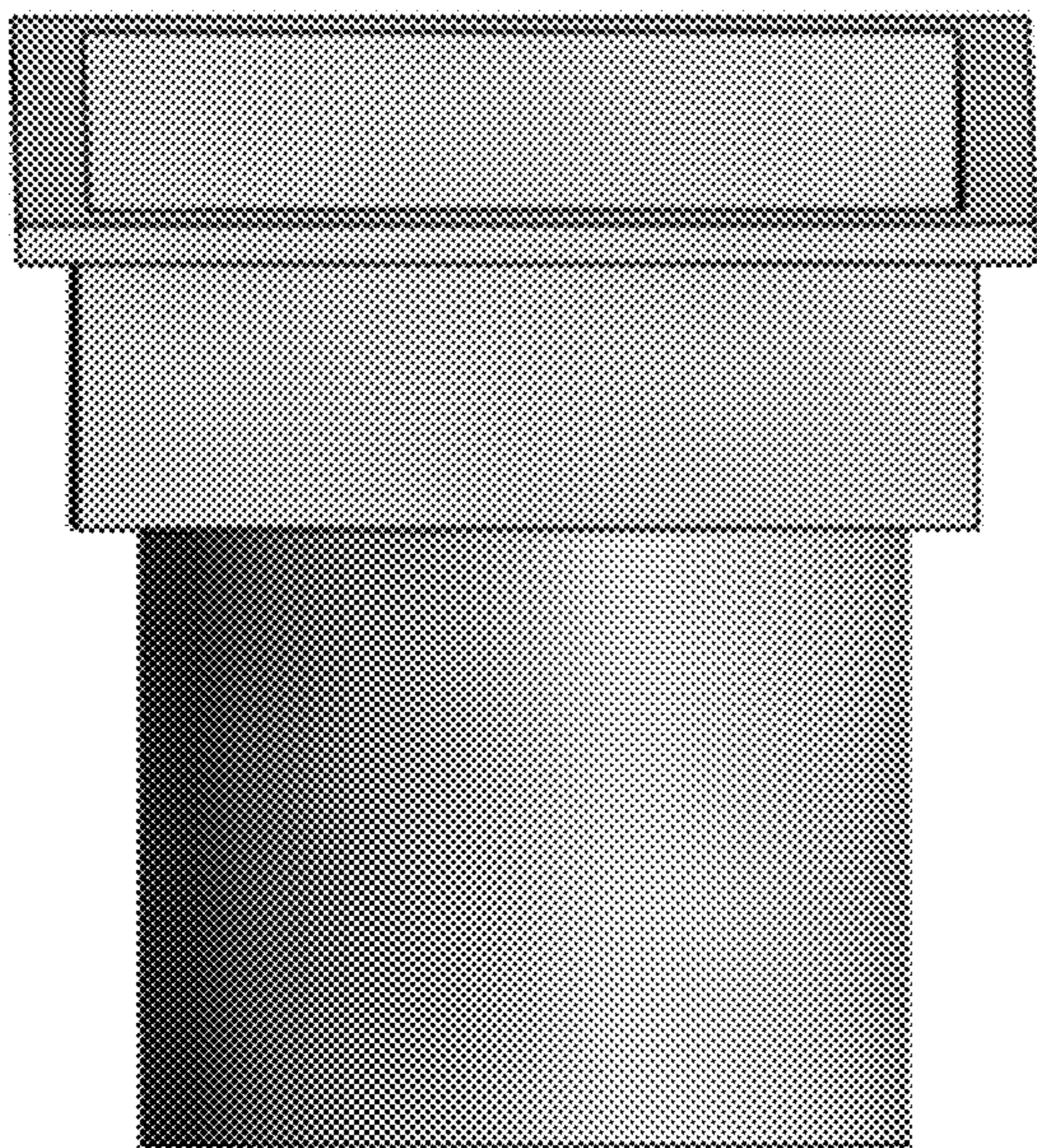


FIG. 2

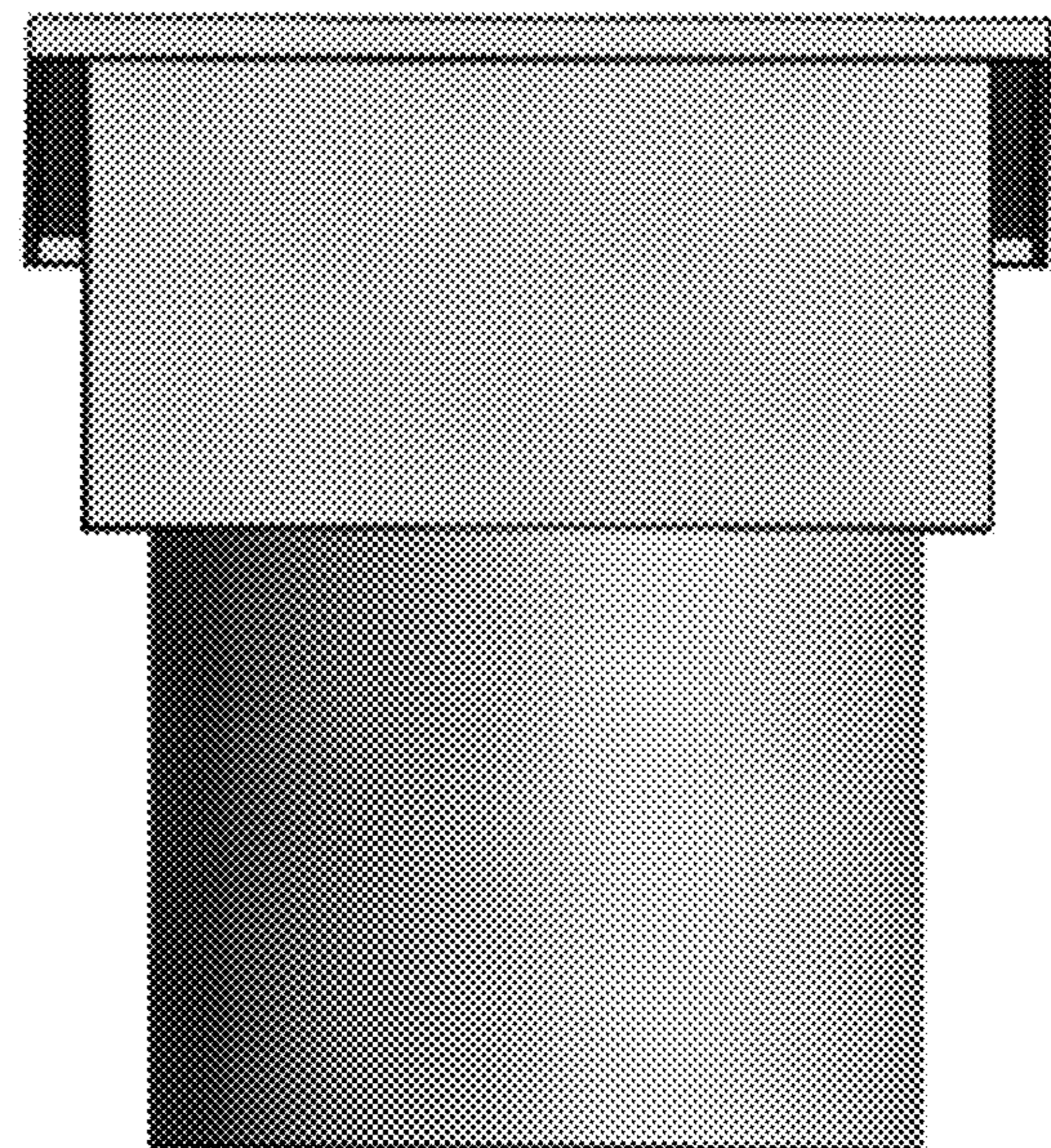
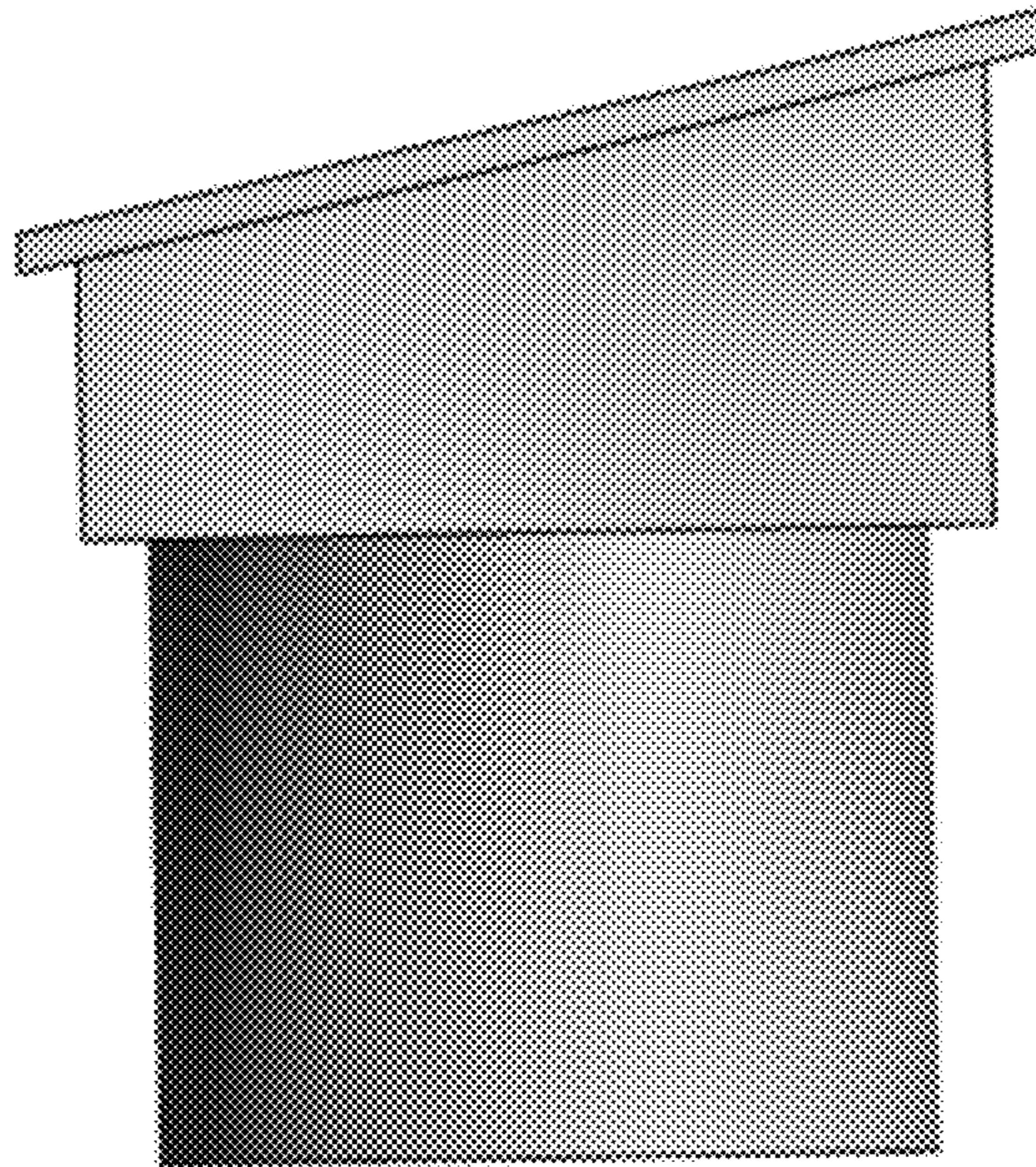
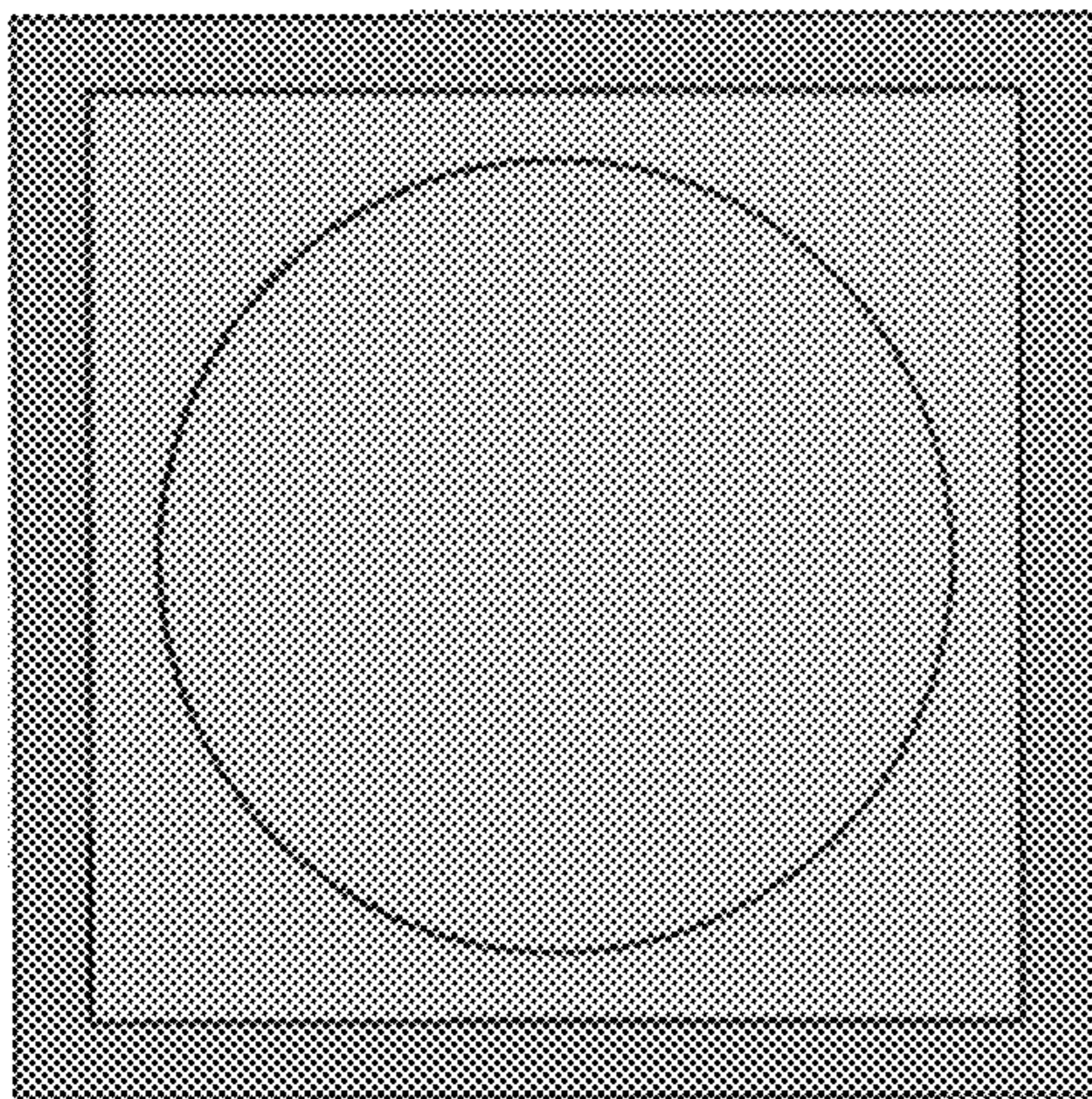


FIG. 3

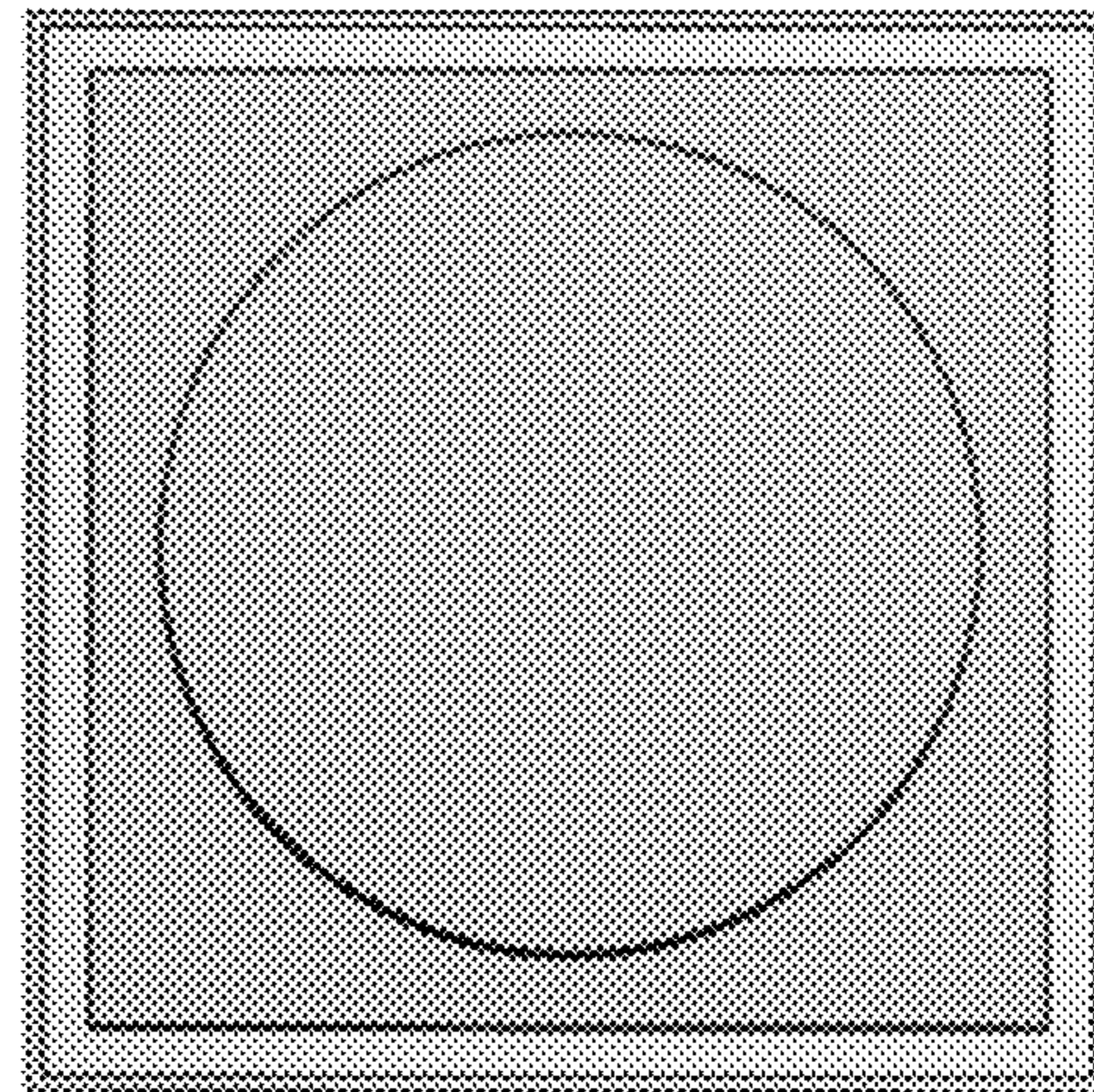




**FIG. 4**

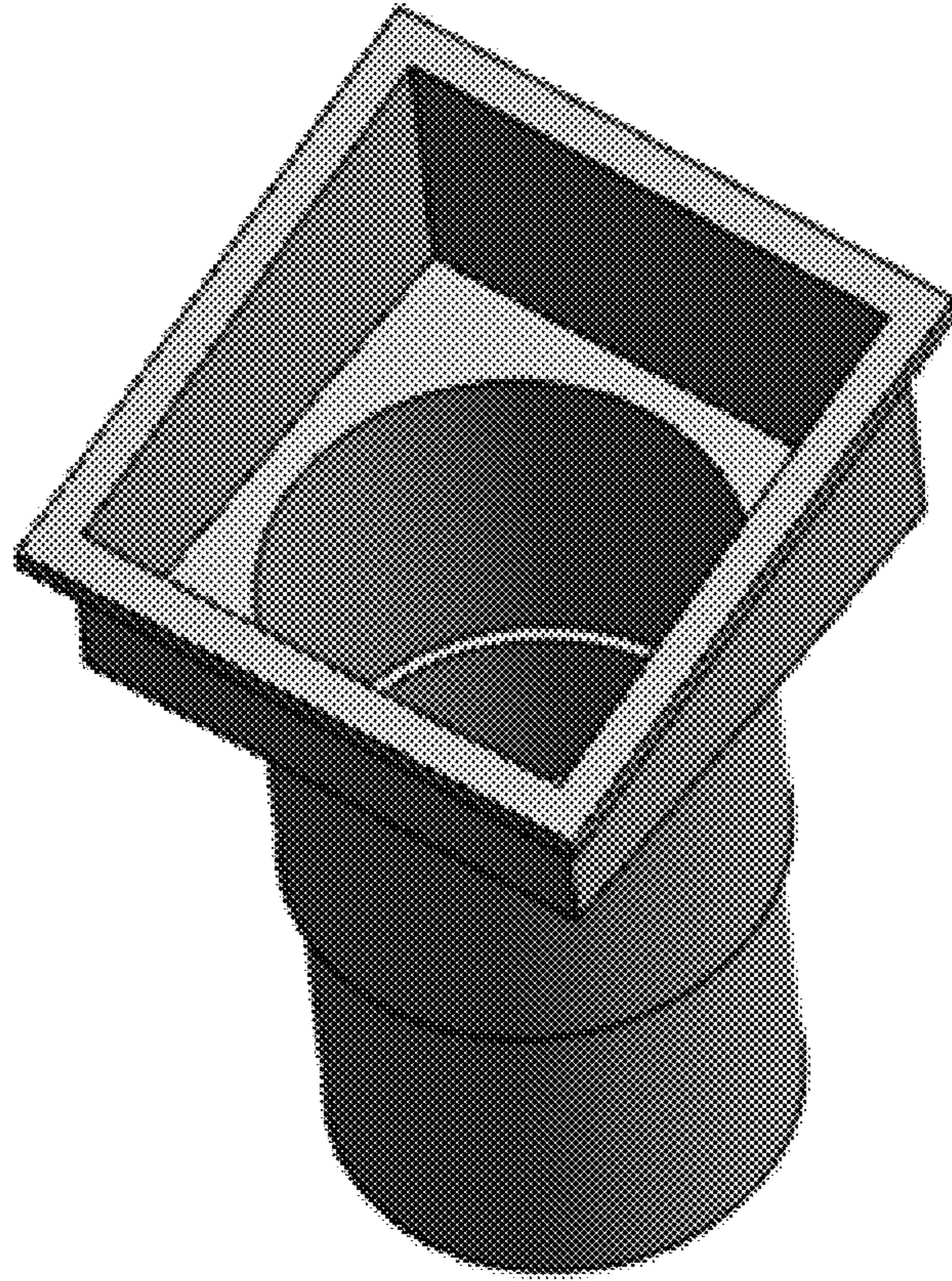


**FIG. 5**

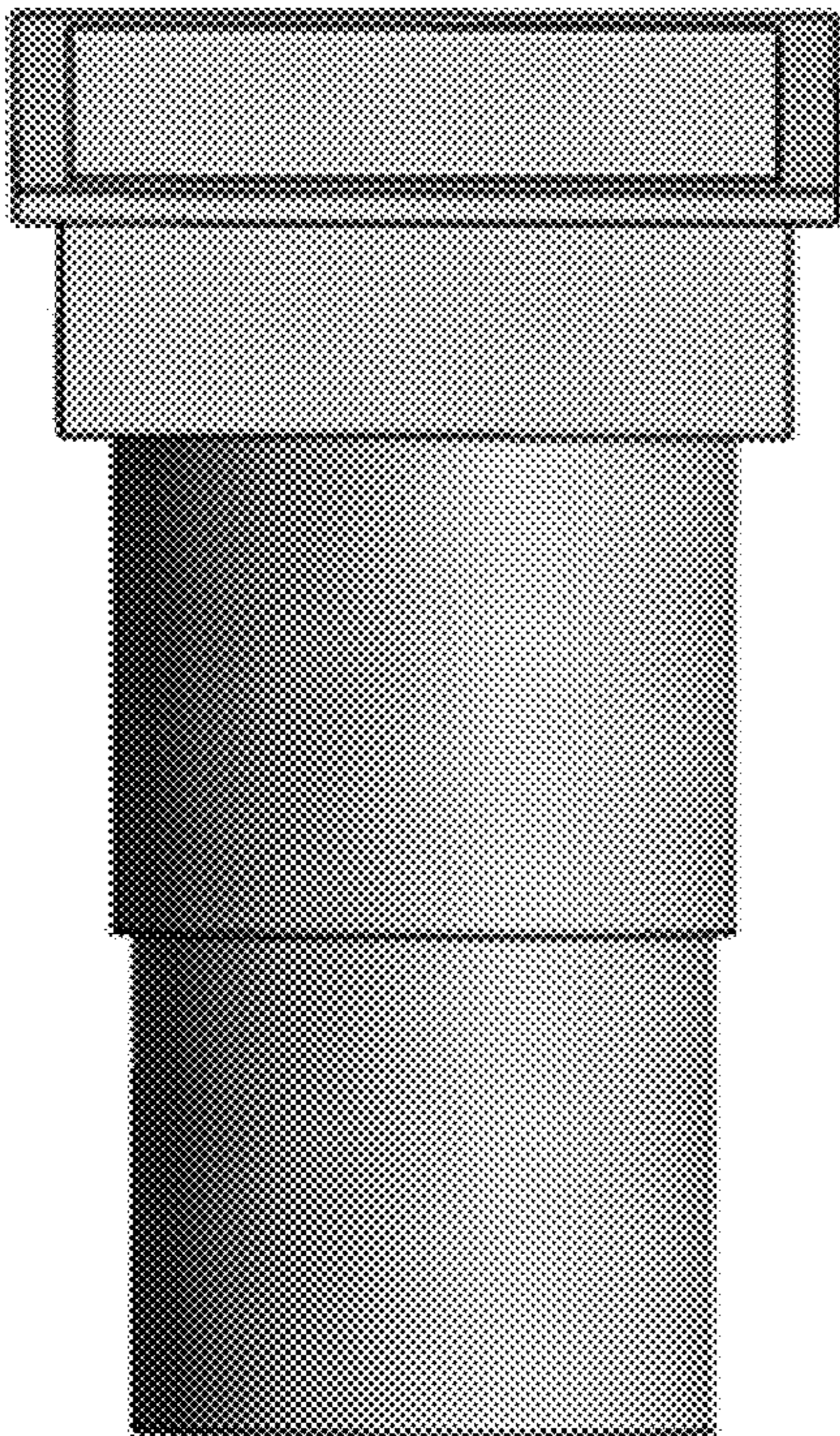


**FIG. 6**

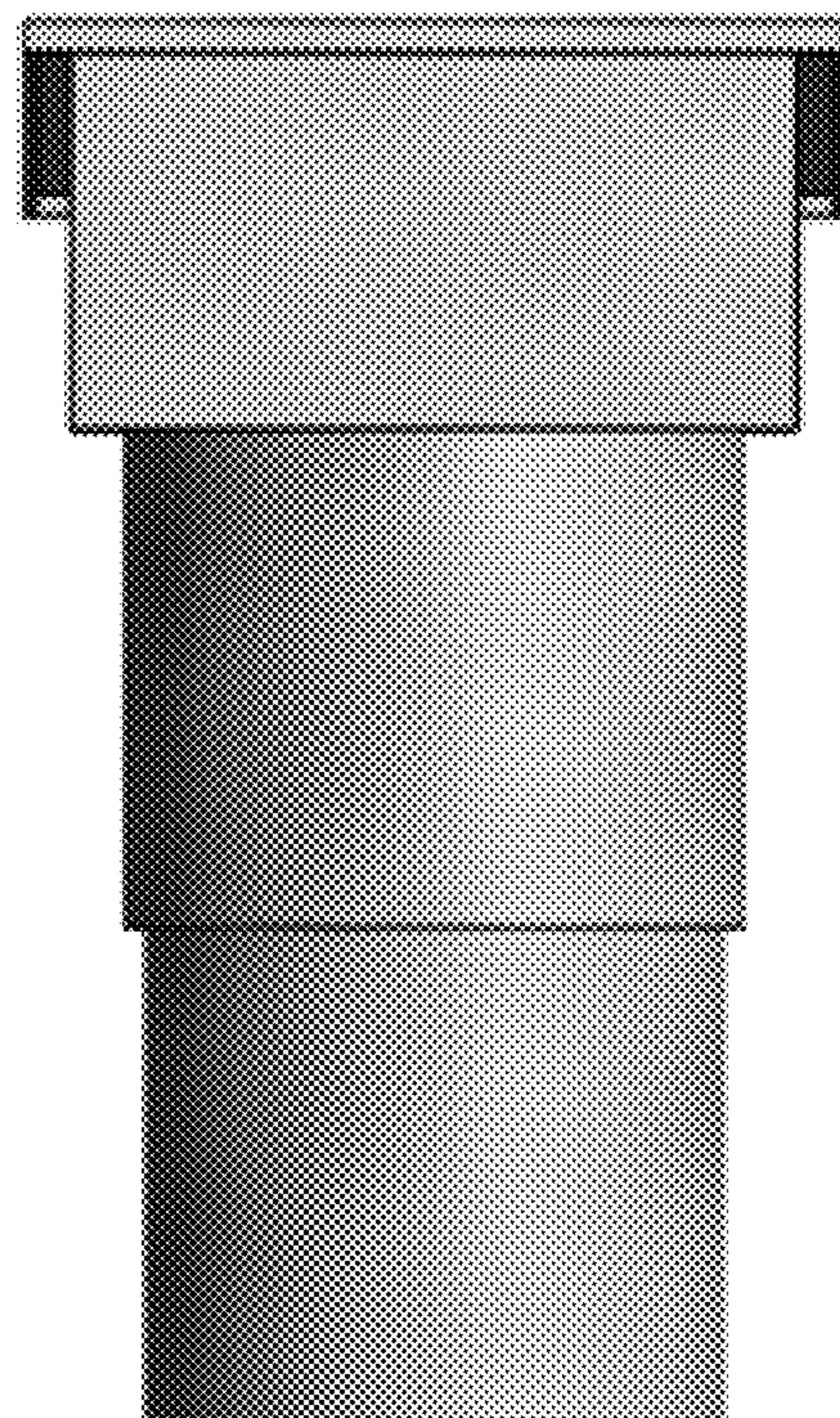




**FIG. 7**

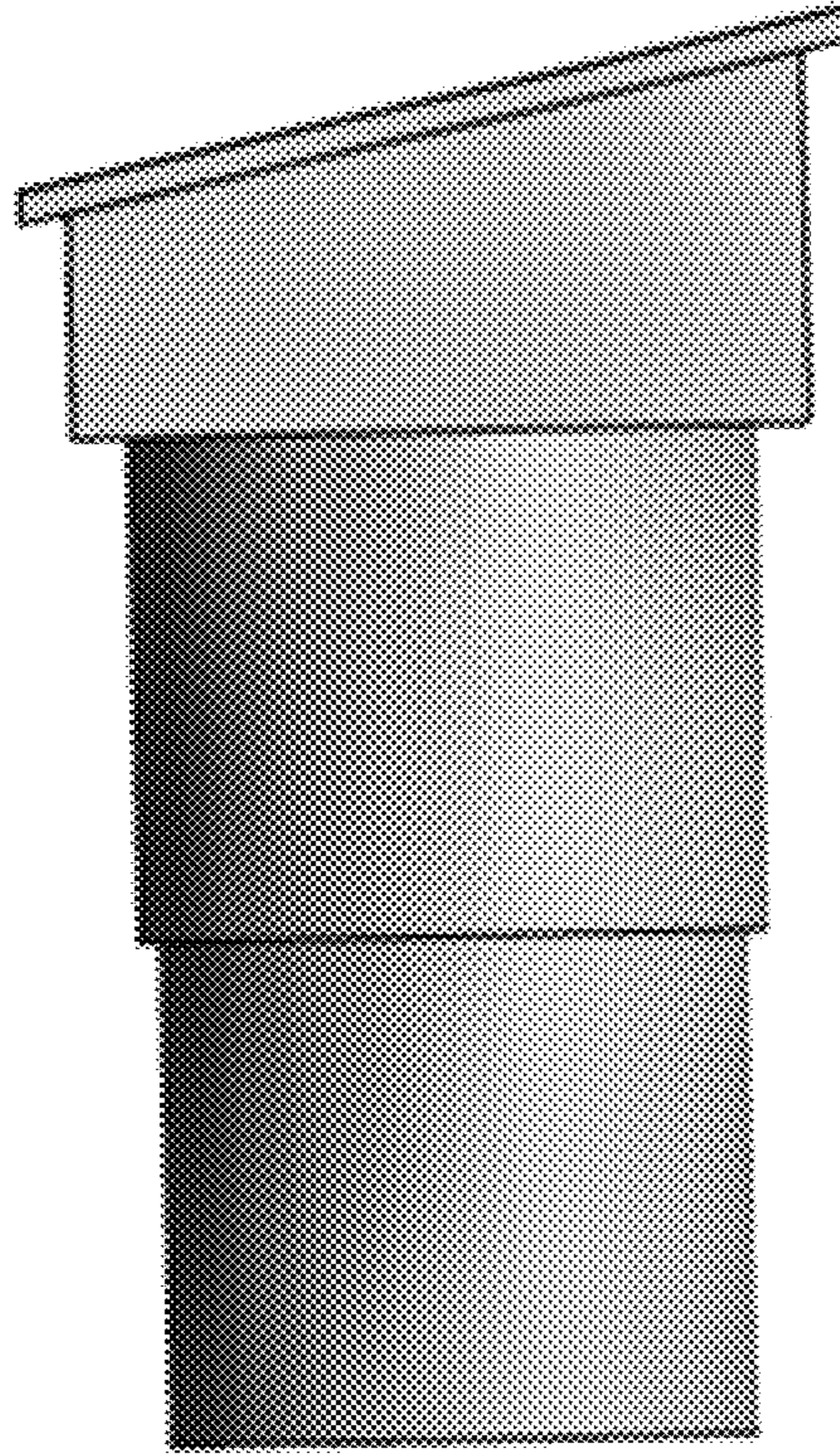


**FIG. 8**

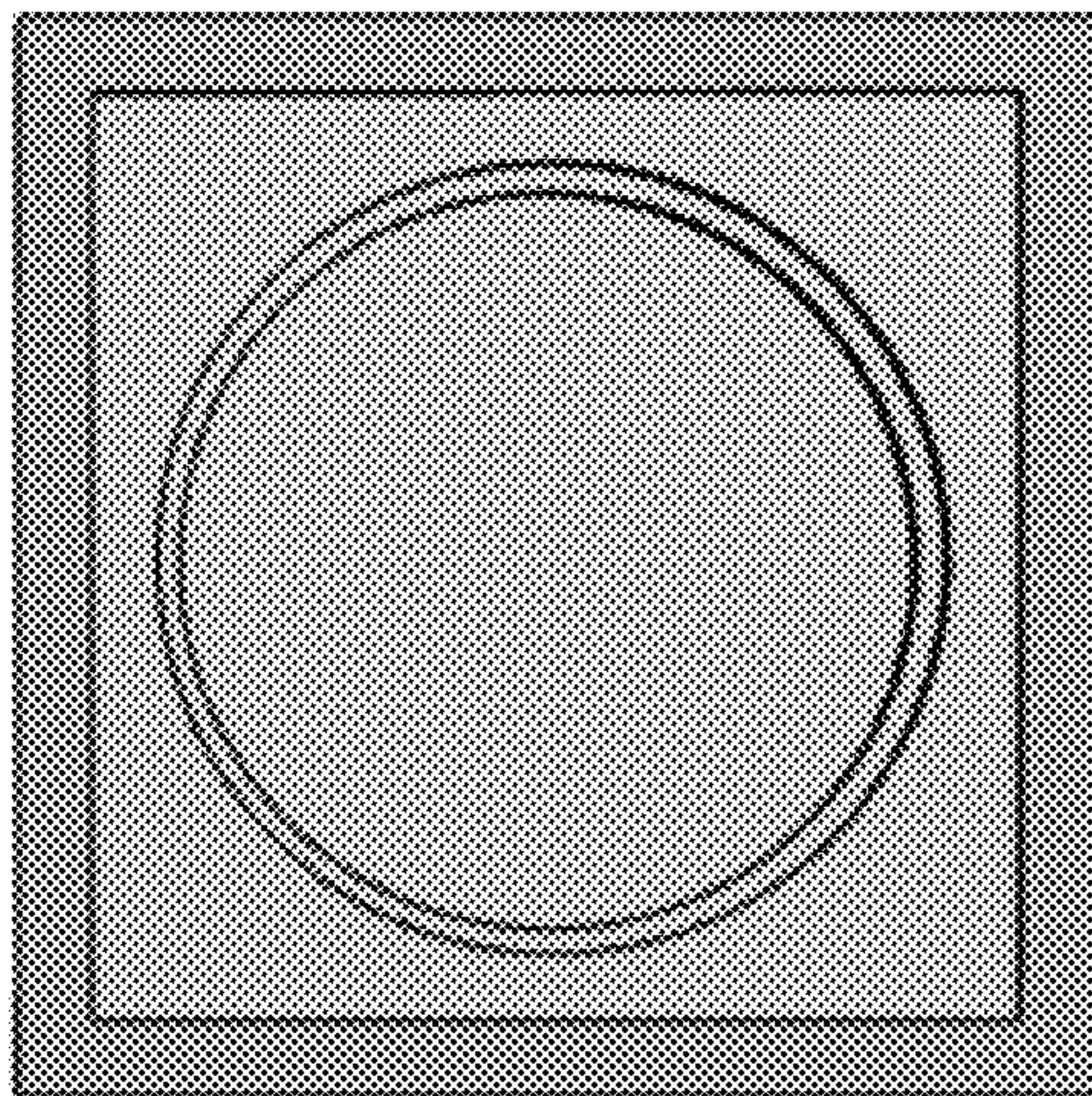


**FIG. 9**

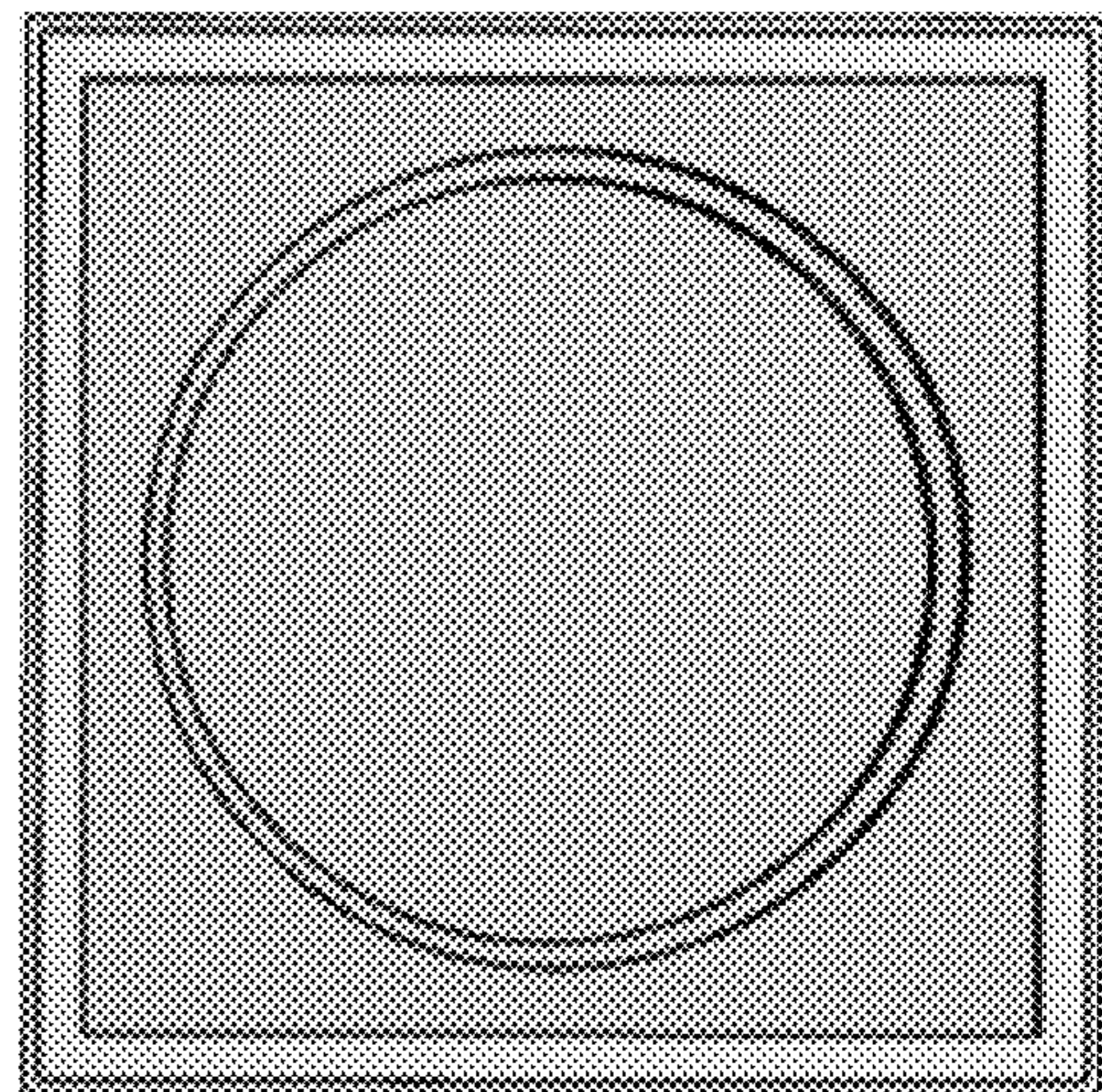




**FIG. 10**



**FIG. 11**



**FIG. 12**