



US00D878002S

(12) **United States Design Patent** (10) **Patent No.:** **US D878,002 S**  
**McKay et al.** (45) **Date of Patent:** **\*\* Mar. 10, 2020**

(54) **PET URN**  
(71) Applicant: **SKY URNS, INC.**, Bozeman, MT (US)  
(72) Inventors: **Aaron McKay**, Atlanta, GA (US);  
**James Warfield**, Bozeman, MT (US);  
**Brian Flint**, Jackson, WY (US)  
(73) Assignee: **SKY URNS, INC.**, Atlanta, GA (US)

(\*\*) Term: **15 Years**

(21) Appl. No.: **29/624,316**

(22) Filed: **Oct. 31, 2017**

(51) **LOC (12) Cl.** ..... **03-01**

(52) **U.S. Cl.**  
USPC ..... **D99/5**

(58) **Field of Classification Search**  
USPC ..... D99/3, 5, 20, 21, 28, 34, 35; D3/17, 24,  
D3/234; D9/609, 694, 738, 432;  
D11/51, 75, 82  
CPC ..... A61G 17/00; A61G 17/08; A61G 17/007;  
A61G 17/0073; A61G 17/0106; E04H  
13/008; E04H 13/00  
See application file for complete search history.

(56) **References Cited**

**U.S. PATENT DOCUMENTS**

- D225,835 S \* 1/1973 Johnson et al. .... D9/520
- 5,029,373 A \* 7/1991 Raymond ..... A61G 17/08  
27/1
- D481,938 S \* 11/2003 McRae ..... D9/520
- D540,171 S \* 4/2007 Ko ..... D9/503
- D599,208 S \* 9/2009 Kissinger ..... D9/516
- D622,023 S \* 8/2010 Molitor ..... D99/5
- D623,063 S \* 9/2010 Pedmo ..... D9/516
- D628,072 S \* 11/2010 Rossi ..... D9/503
- D655,166 S \* 3/2012 Arand ..... D9/500
- D763,086 S \* 8/2016 Kalagher ..... D9/504
- D785,454 S \* 5/2017 Dhillon ..... D9/500
- D806,475 S \* 1/2018 Pisarevsky ..... D7/507

- D812,478 S \* 3/2018 Hines ..... D9/500
- D820,043 S \* 6/2018 Leslie-Shattenkirk ..... D7/507
- D829,053 S \* 9/2018 Leslie-Shattenkirk ..... D7/507
- 2001/0039675 A1\* 11/2001 Giaimis ..... A47G 7/06  
4/353
- 2011/0253745 A1\* 10/2011 Mainville ..... B65D 47/06  
222/129

**FOREIGN PATENT DOCUMENTS**

JP 2007162312 A \* 6/2007

**OTHER PUBLICATIONS**

Contemporary Pet Urns From Big Sky Urns, posted Nov. 16, 2016 [online], retrieved Jan. 30, 2019, retrieved from internet, <<https://dog-milk.com/contemporary-pet-urns-from-big-sky-urns/>>.\*

(Continued)

*Primary Examiner* — Barbara Fox  
*Assistant Examiner* — Messina L Smith  
(74) *Attorney, Agent, or Firm* — Porzio Bromberg & Newman P.C.

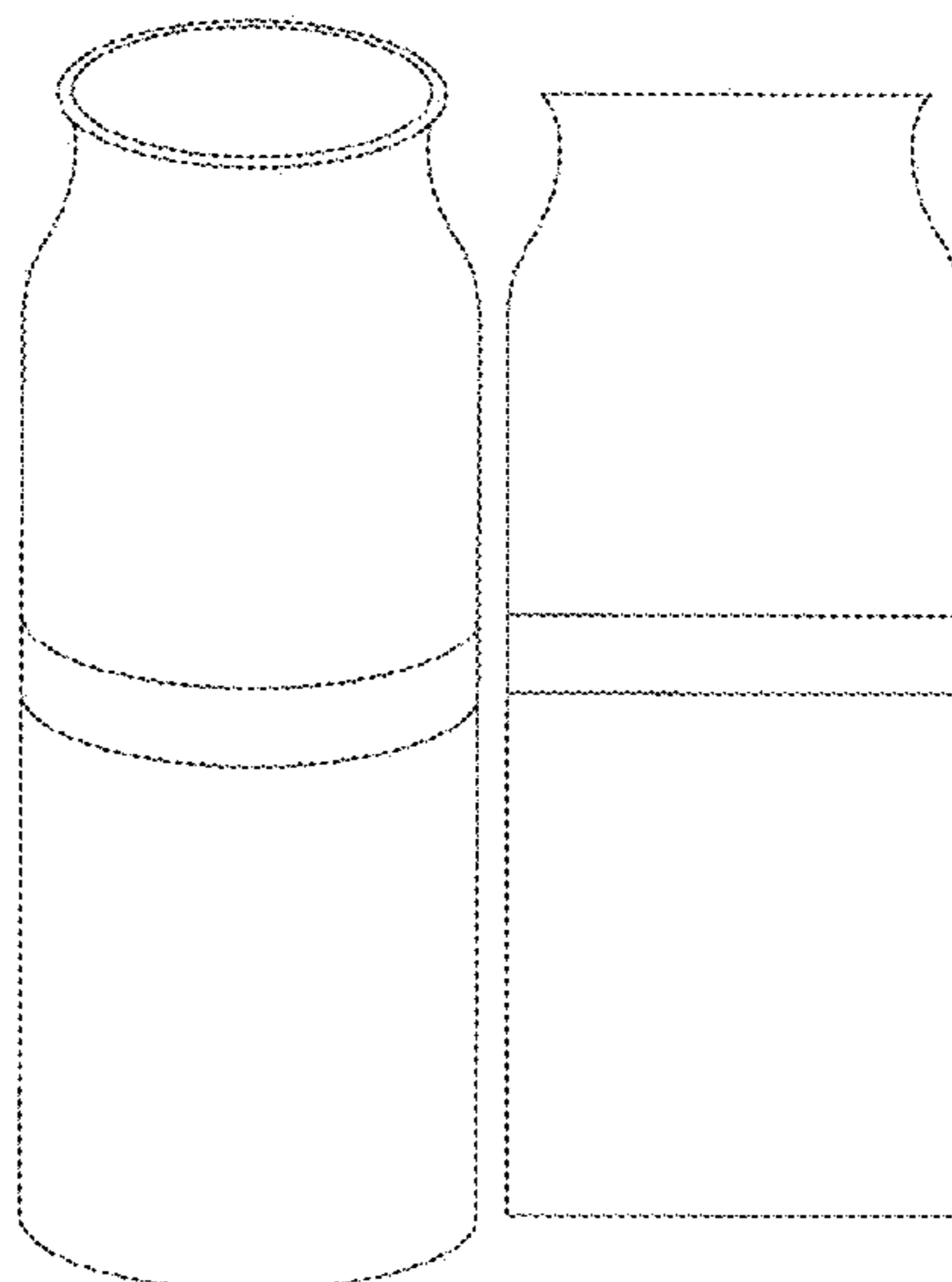
(57) **CLAIM**

We claim, the ornamental design for a pet urn, as shown and described.

**DESCRIPTION**

FIG. 1 is a perspective view of a pet urn, showing our new design;  
FIG. 2 is a front view thereof;  
FIG. 3 is a back view;  
FIG. 4 is a side view;  
FIG. 5 is a top view; and,  
FIG. 6 is a bottom view.  
The dot-dash line depicts the bounds of the claim and forms no part of the claimed design. All other broken lines in the drawing depict portions of the pet urn that form no part of the claimed design.

**1 Claim, 6 Drawing Sheets**



(56)

**References Cited**

OTHER PUBLICATIONS

A Contemporary Pet Cremation Urn, Vase Urn by Big Sky Urns, posted Nov. 1, 2016 [online], retrieved Jan. 30, 2019, retrieved from internet, <<https://www.kickstarter.com/projects/663613673/a-contemporary-pet-cremation-urn-vase-urn-by-big-s/updates>>.\*  
Featured Business: Big Sky Urns, posted Jul. 31, 2017 [online], retrieved Jan. 30, 2019, retrieved from internet, <<https://www.joysession.com/2017/07/31/featured-business-big-sky-urns/>>.\*

\* cited by examiner

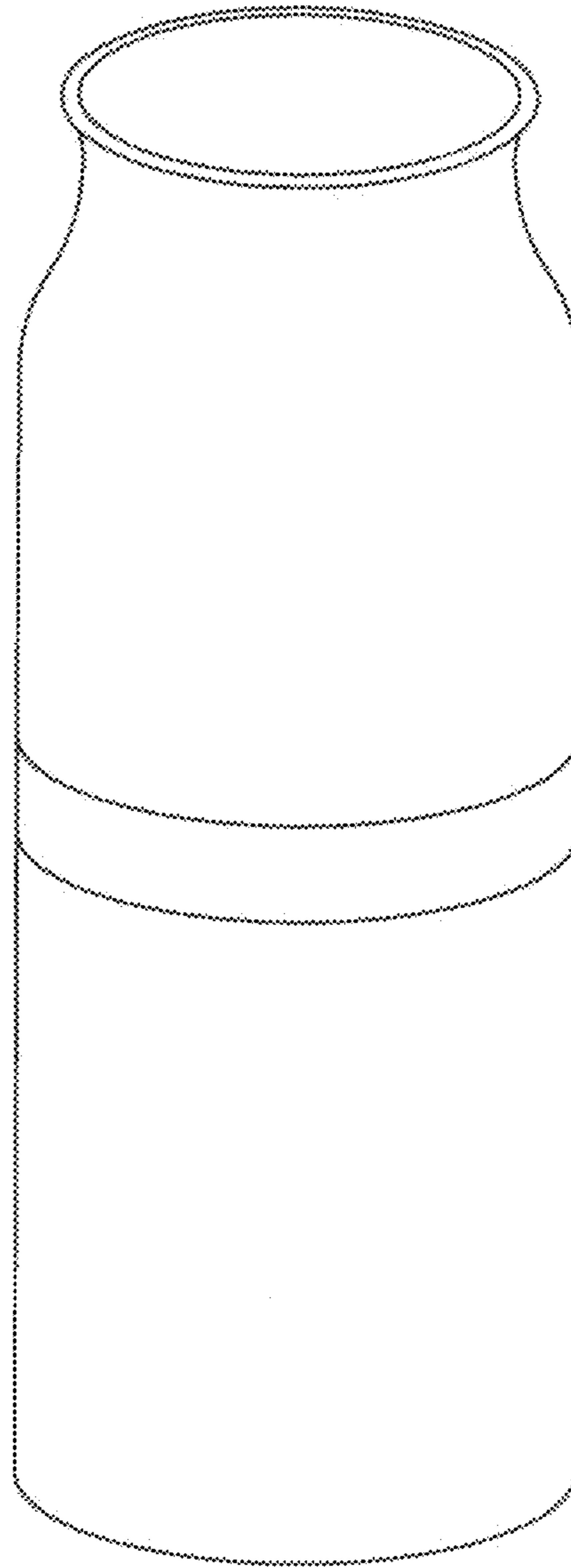


FIG. 1

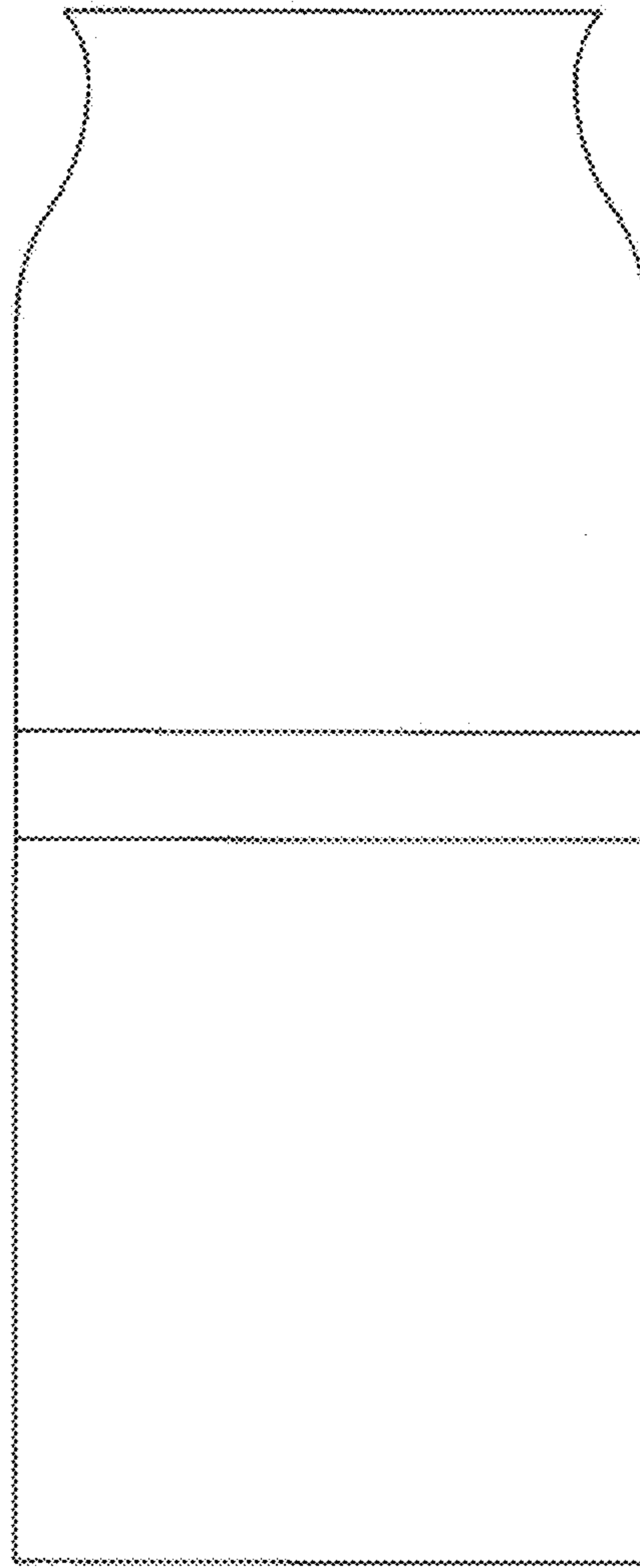


FIG. 2

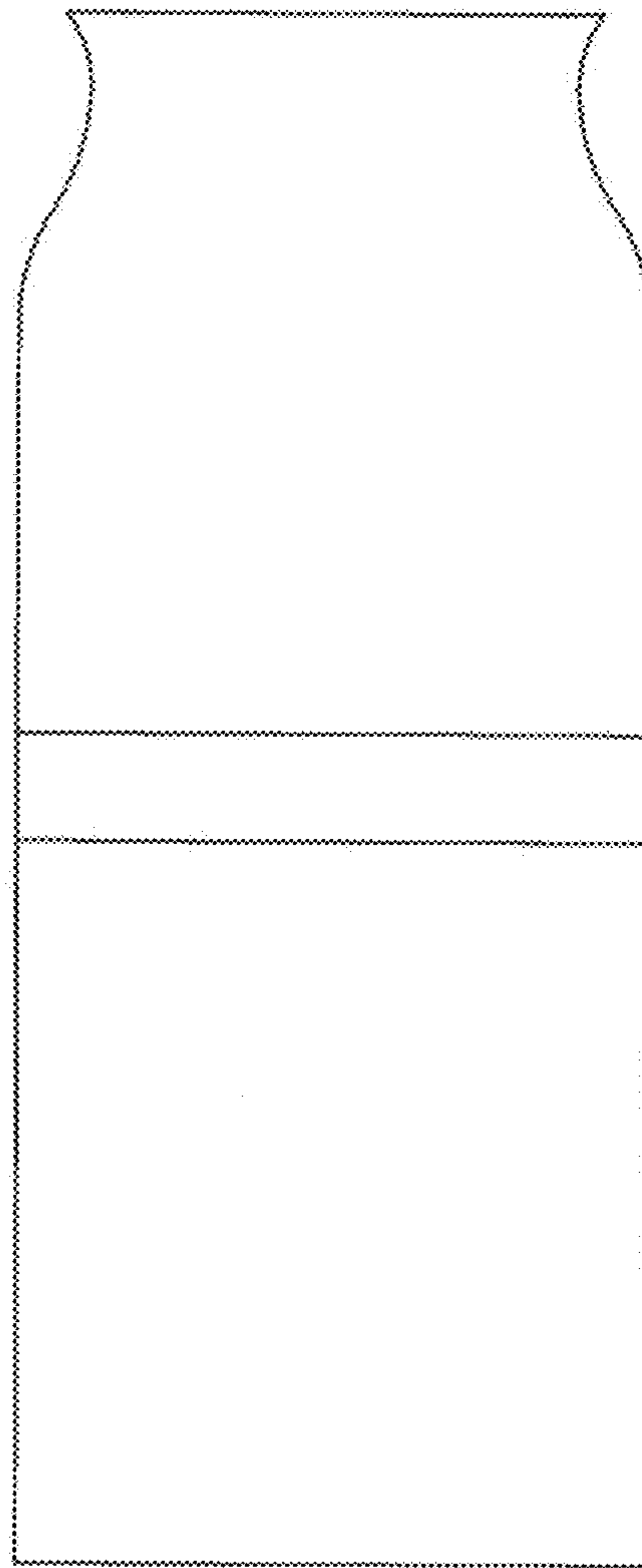


FIG. 3

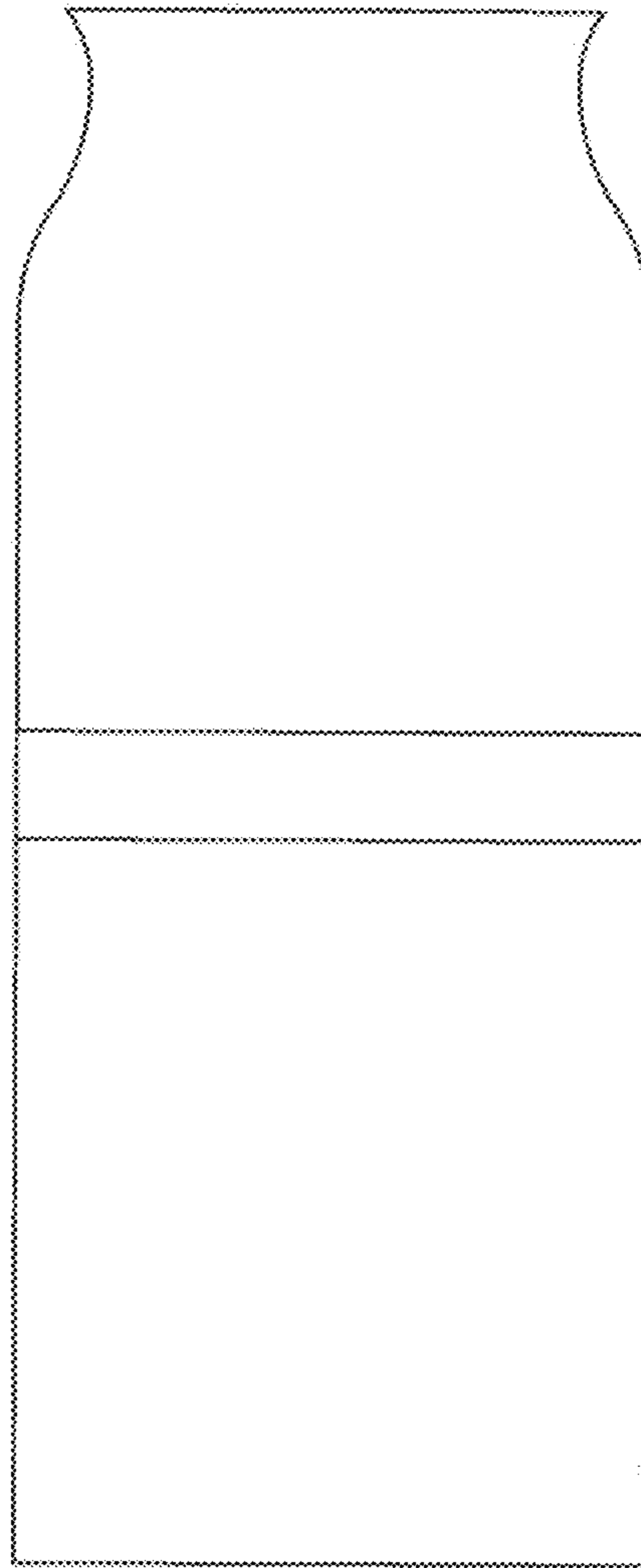


FIG. 4

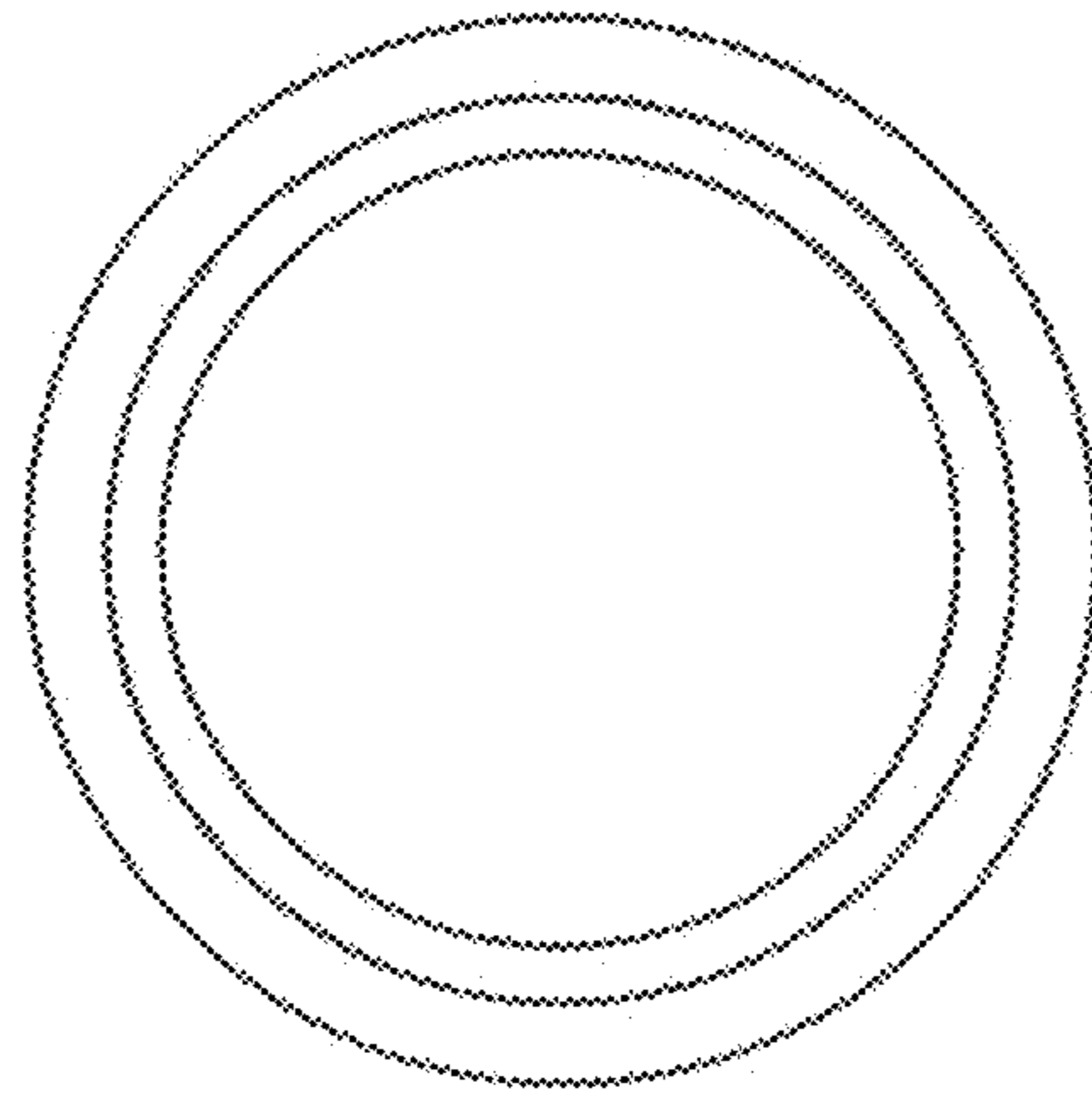


FIG. 5

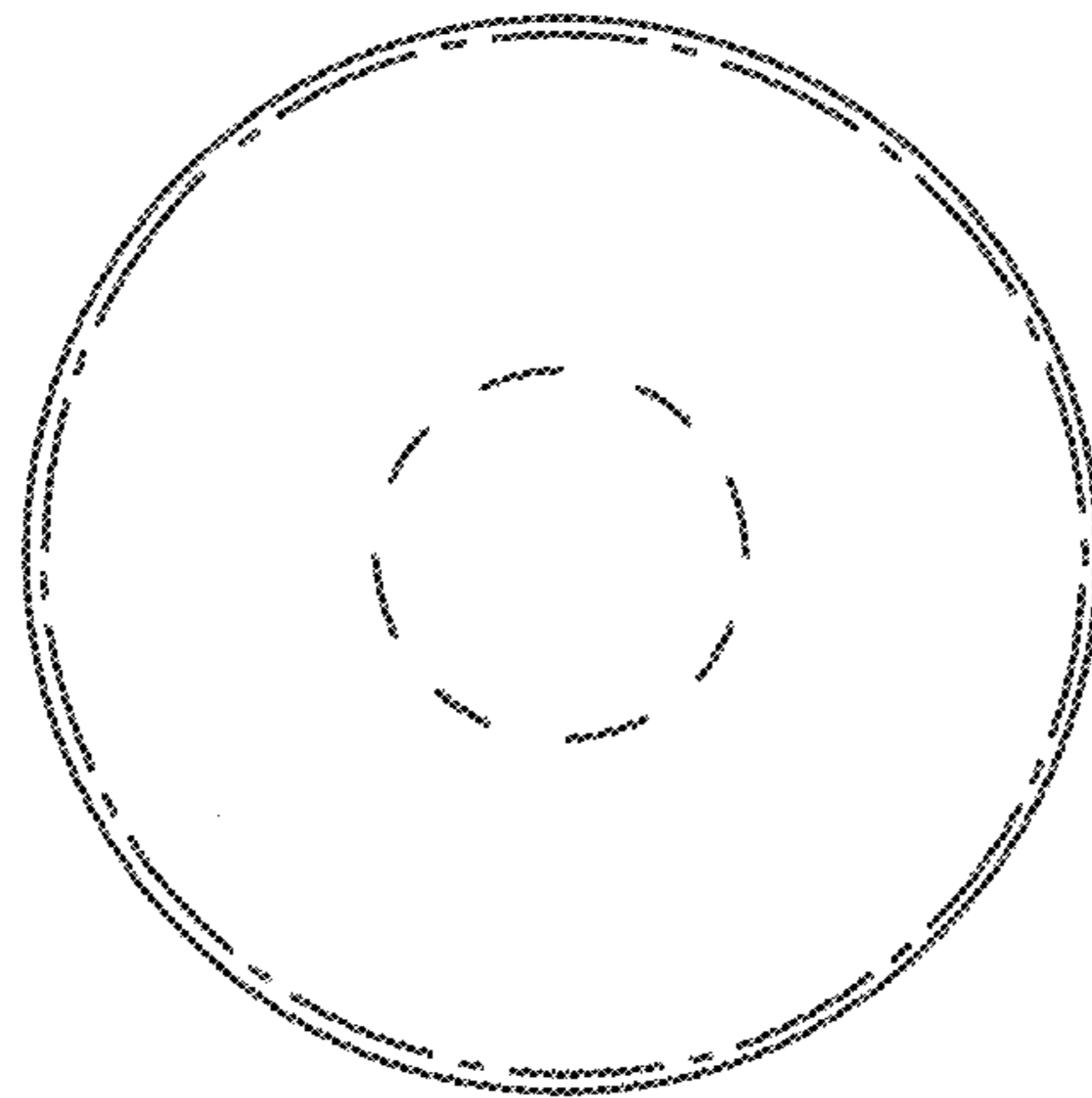


Fig. 6